

US00D627038S

(12) **United States Design Patent**
Yu

(10) **Patent No.:** **US D627,038 S**
(45) **Date of Patent:** **** Nov. 9, 2010**

(54) **PIPE COUPLING PLUG**

(75) Inventor: **Vincent Yu**, Changhua County (TW)

(73) Assignee: **Bitpower International Co., Ltd.**,
Changhua County (TW)

(**) Term: **14 Years**

(21) Appl. No.: **29/360,126**

(22) Filed: **Apr. 20, 2010**

(51) **LOC (9) Cl.** **23-01**

(52) **U.S. Cl.** **D23/260**

(58) **Field of Classification Search** D23/259-269;
4/309, 287, 290, 286; 285/316, 275, 277;
251/149.1, 150

See application file for complete search history.

(56) **References Cited**

U.S. PATENT DOCUMENTS

3,148,708	A *	9/1964	Panella	138/89
3,494,504	A *	2/1970	Jackson	220/237
4,017,139	A *	4/1977	Nelson	439/352
4,660,803	A *	4/1987	Johnston et al.	251/149.1
D313,067	S *	12/1990	Kotake et al.	D23/262
D344,242	S *	2/1994	Weise et al.	D10/80
D362,900	S *	10/1995	Miska	D23/260
6,431,215	B1 *	8/2002	Hsu	138/89

D463,537	S *	9/2002	Kozu et al.	D23/262
D471,262	S *	3/2003	Kozu	D23/262
D482,761	S *	11/2003	Gotoh et al.	D23/262
D483,096	S *	12/2003	Gotoh et al.	D23/262
6,732,762	B2 *	5/2004	Russell	138/89
7,673,911	B2 *	3/2010	Liu	285/316
2005/0006896	A1 *	1/2005	Naito et al.	285/316
2009/0026400	A1 *	1/2009	Chen	251/149.1

* cited by examiner

Primary Examiner—T. Chase Nelson
Assistant Examiner—Eric L Goodman

(57) **CLAIM**

The ornamental design for a pipe coupling plug, as shown and described.

DESCRIPTION

FIG. 1 is a perspective view of a pipe coupling plug showing my new design;

FIG. 2 is a front elevational view thereof;

FIG. 3 is a rear elevational view thereof;

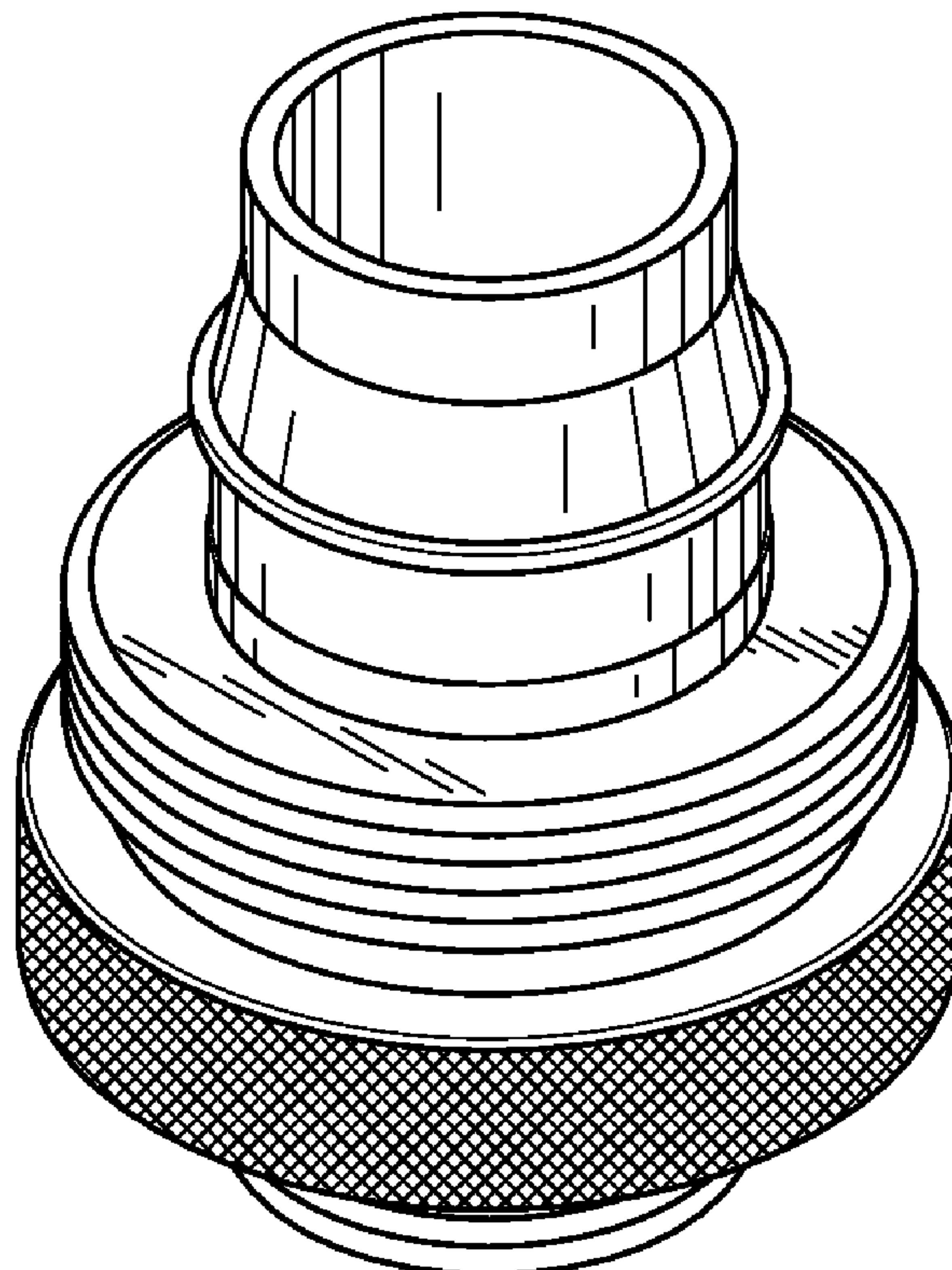
FIG. 4 is a left side view thereof;

FIG. 5 is a right side view thereof;

FIG. 6 is a top plan view thereof; and,

FIG. 7 is a bottom plan view thereof.

1 Claim, 4 Drawing Sheets



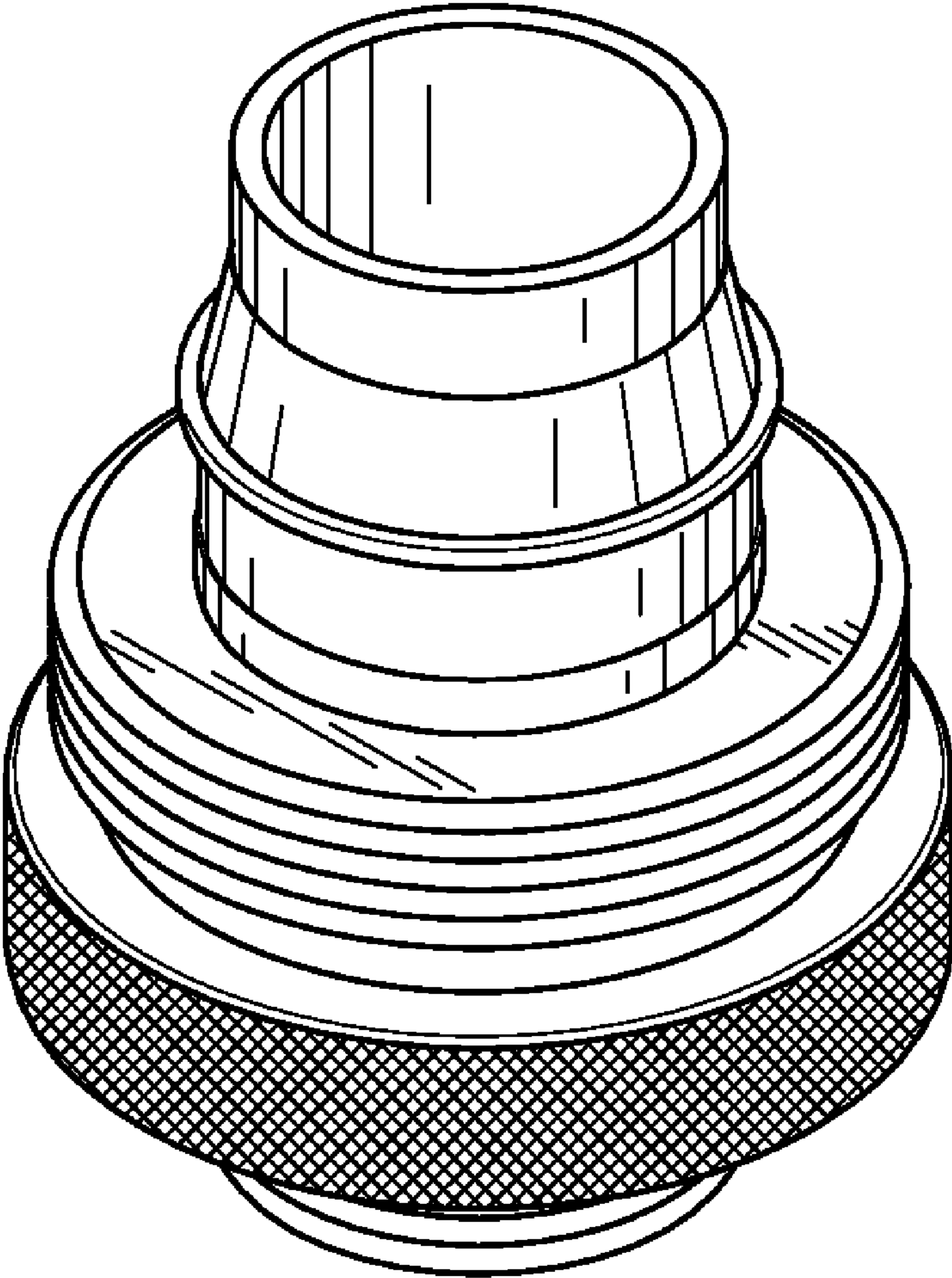


FIG. 1

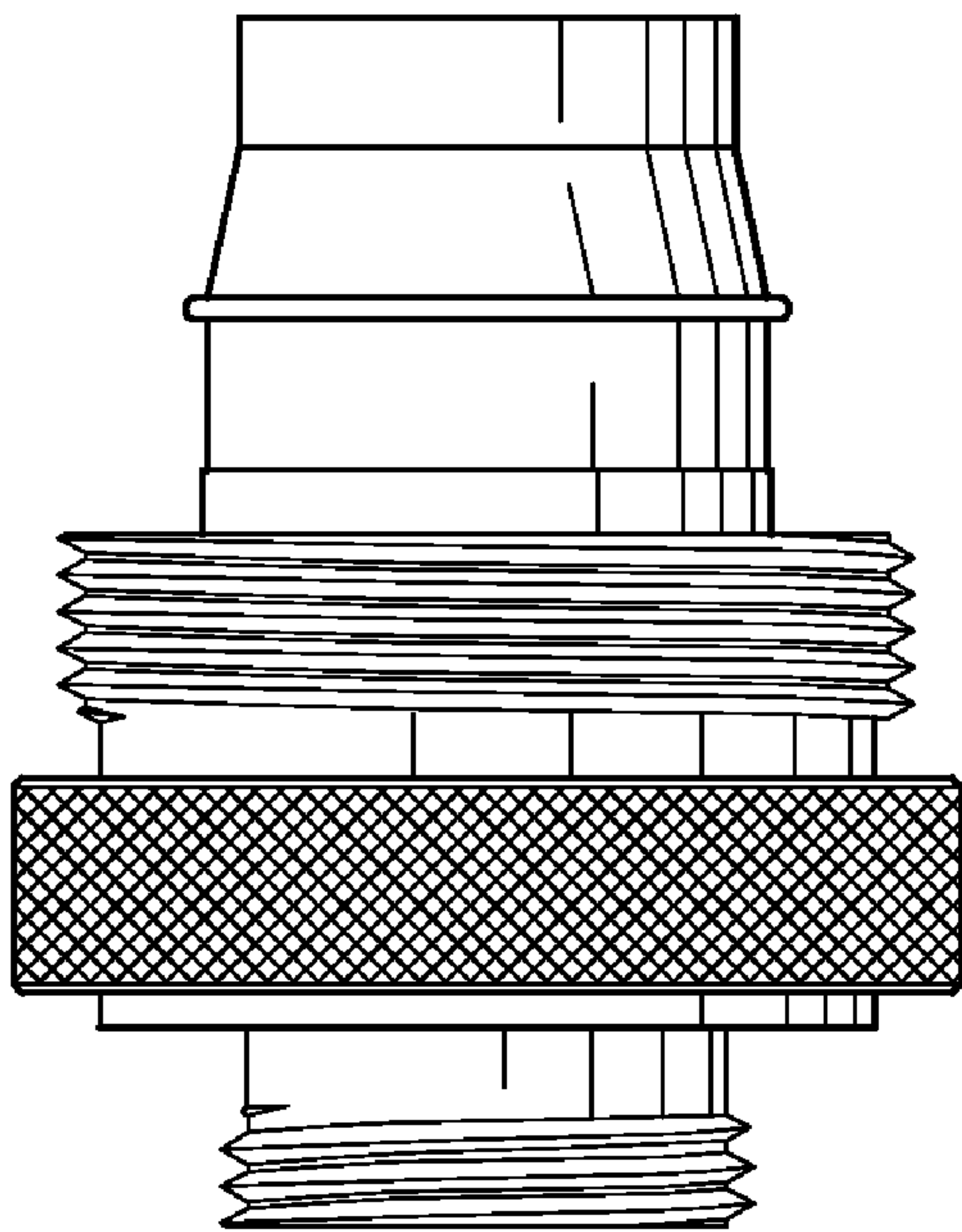


FIG. 2

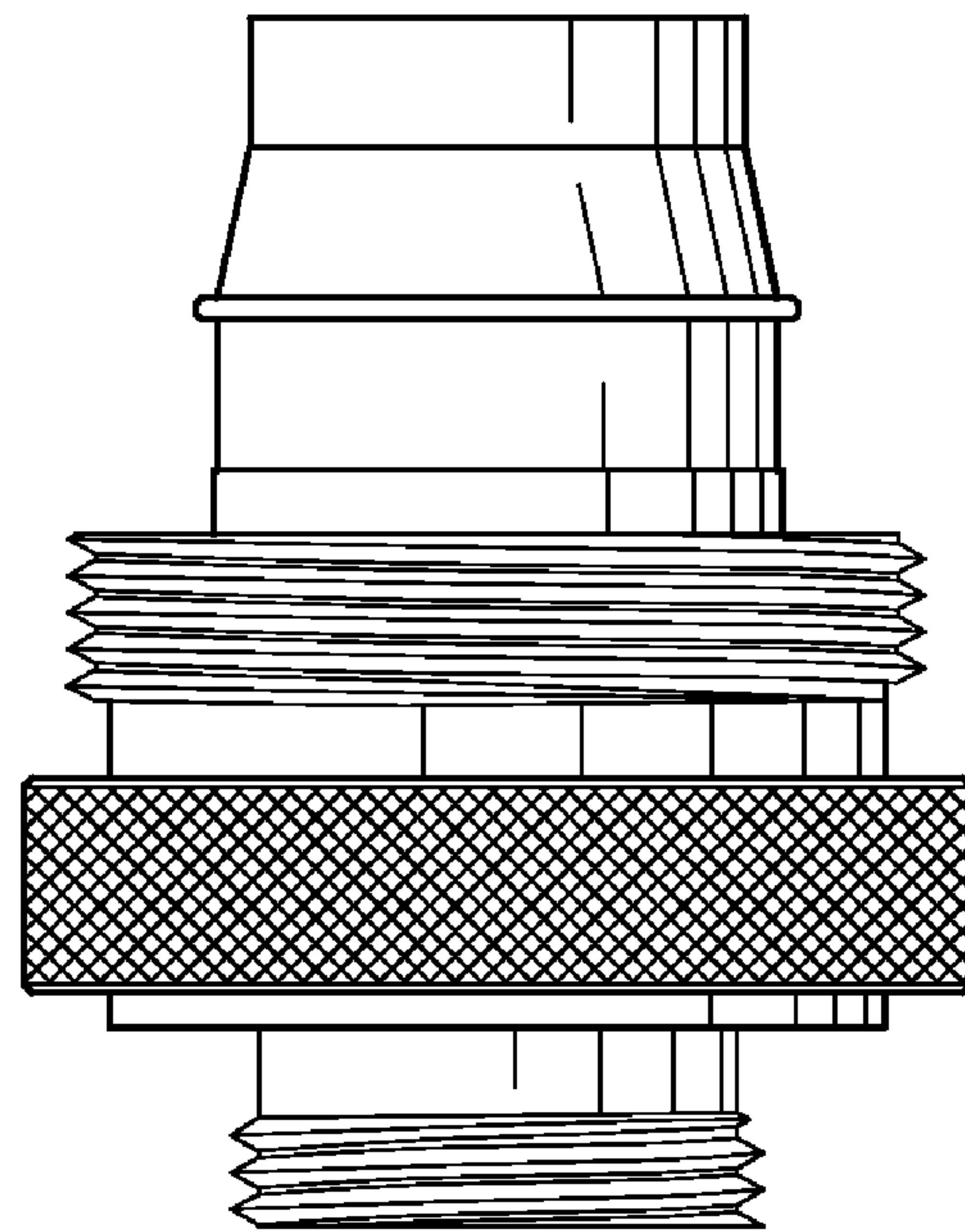


FIG. 3

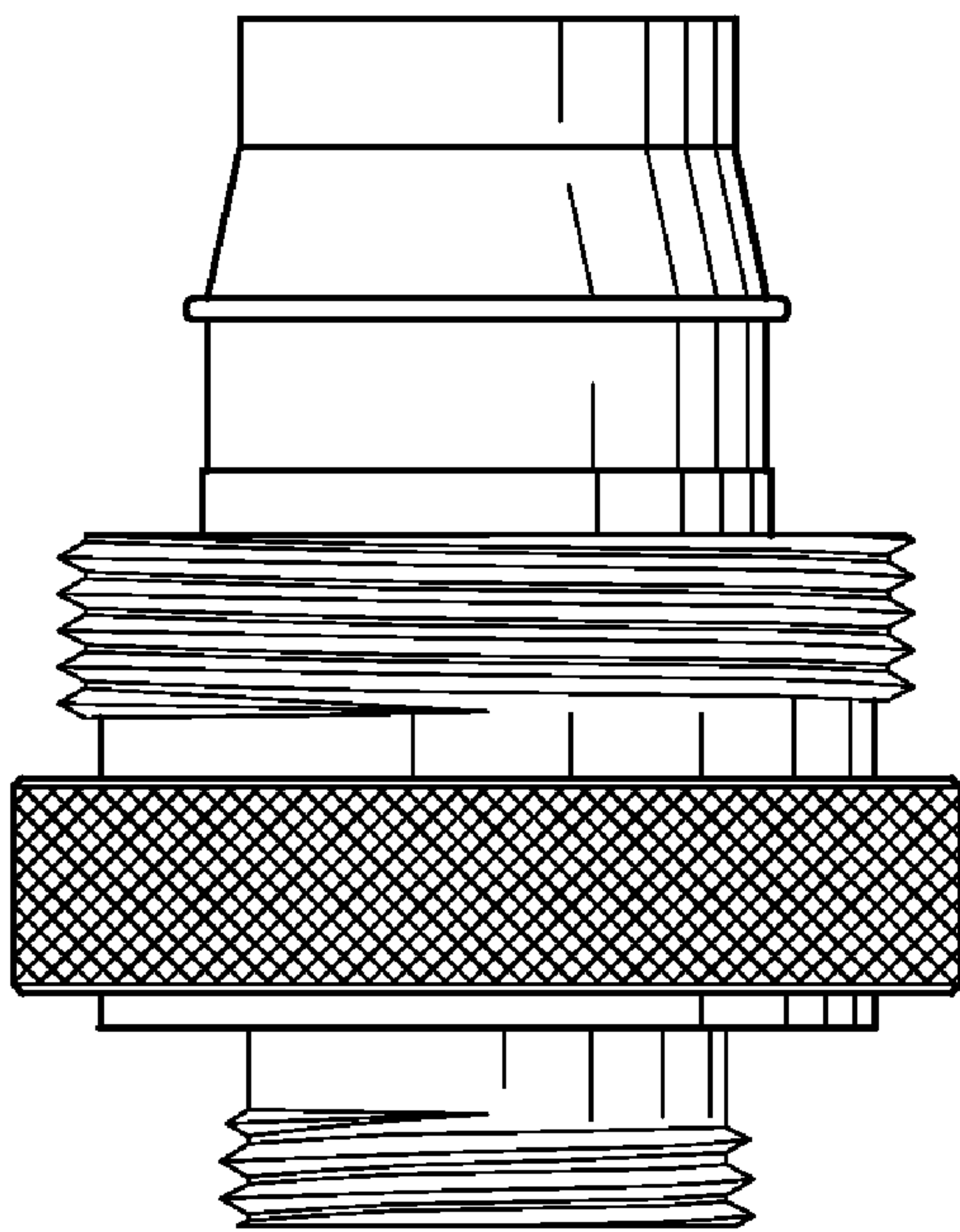


FIG. 4

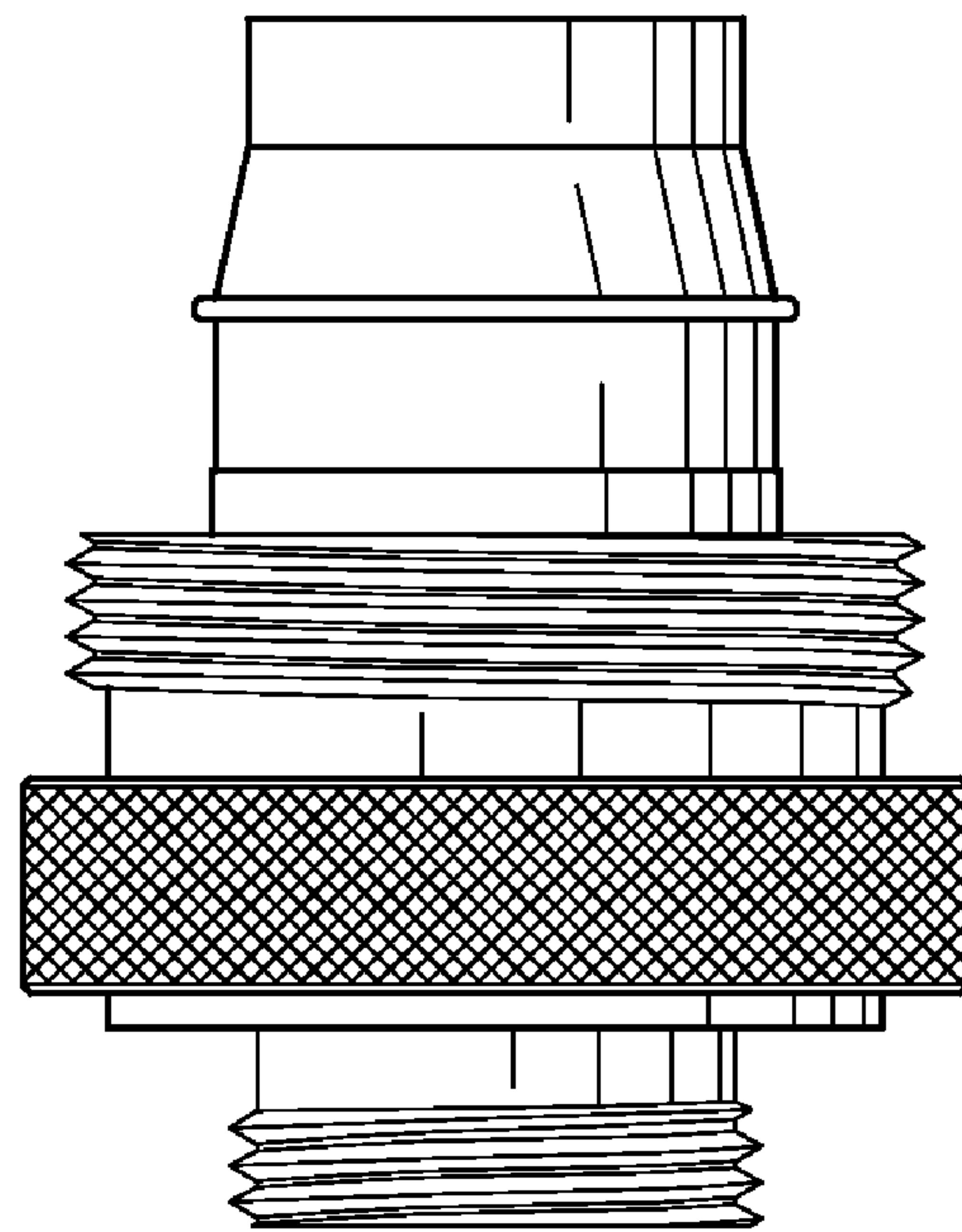


FIG. 5

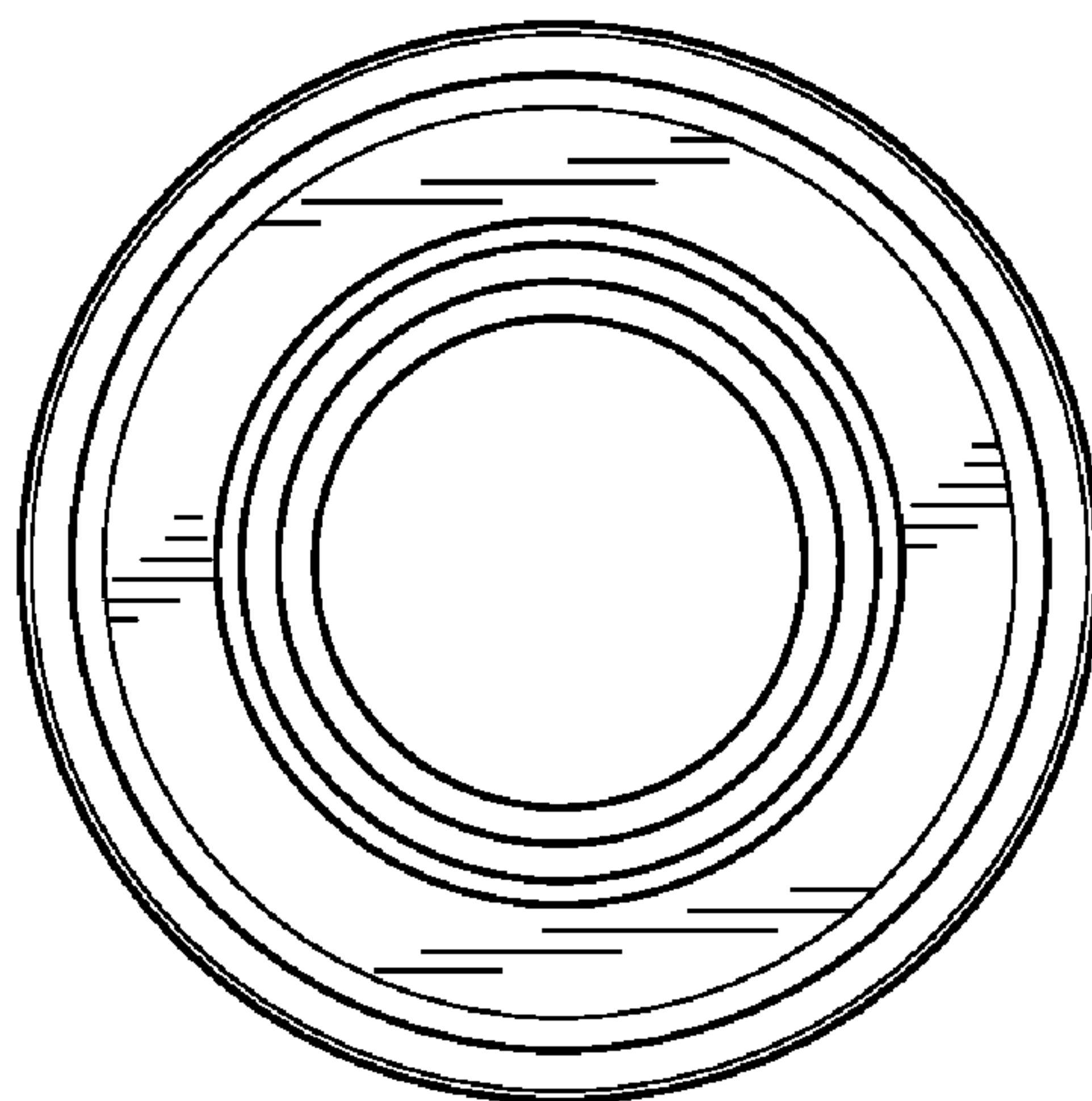


FIG. 6

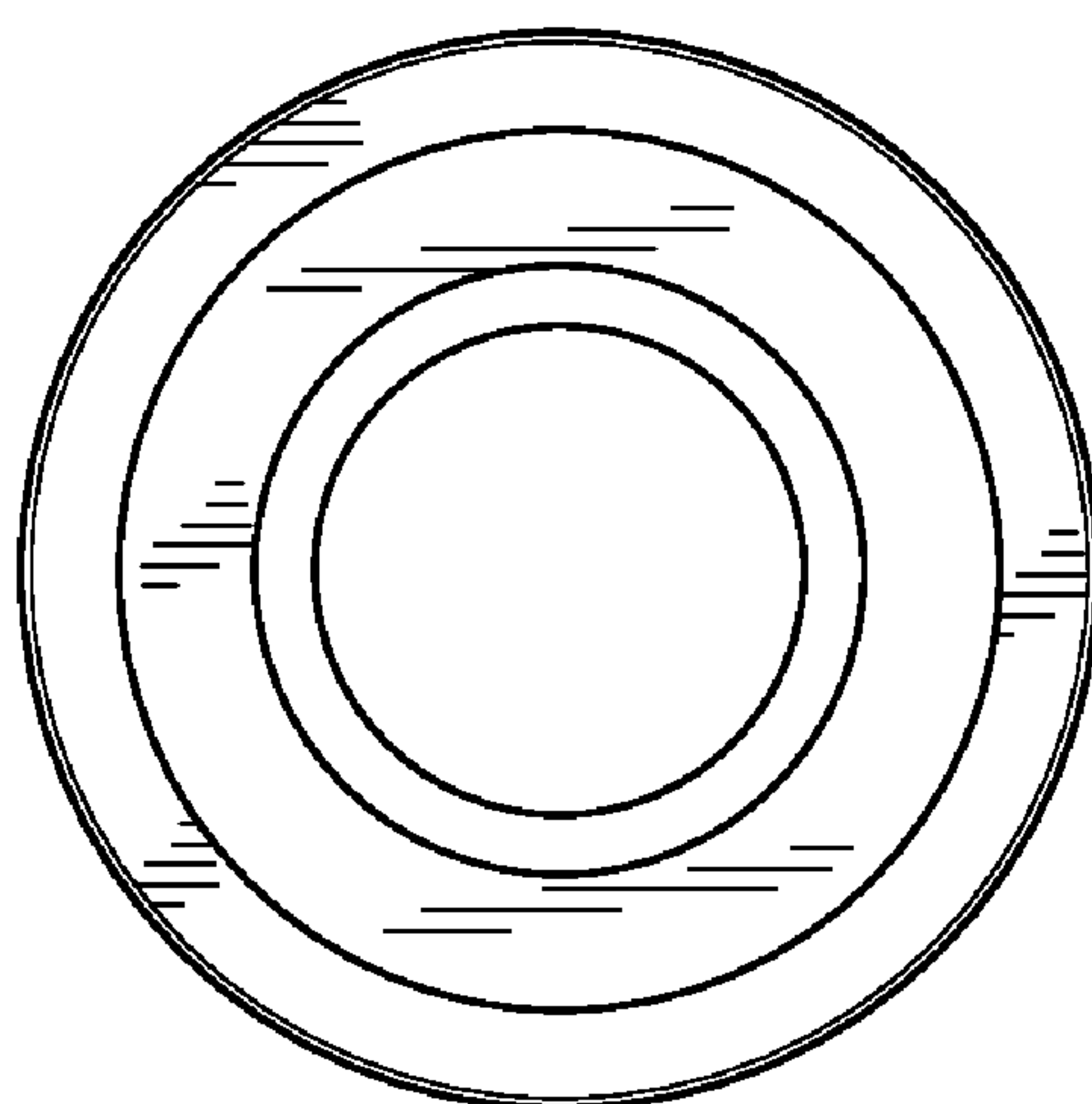


FIG. 7