



US00D627036S

(12) **United States Design Patent**  
**Reedy et al.**

(10) **Patent No.:** **US D627,036 S**  
(45) **Date of Patent:** **\*\* Nov. 9, 2010**

(54) **VALVE BODY**

D607,087 S \* 12/2009 Bobby et al. .... D23/233

(75) Inventors: **Michael Herschel Reedy**, Chicago, IL (US); **Joseph P. Schutte**, Westland, MI (US); **William F. Turnau, III**, Canton, MI (US)

\* cited by examiner

*Primary Examiner*—Robert M. Spear  
*Assistant Examiner*—Maurice Stevens  
(74) *Attorney, Agent, or Firm*—Edgar A. Zarins; Nirav D. Parikh

(73) Assignee: **Brass-Craft Manufacturing Company**, Novi, MI (US)

(\*\*) Term: **14 Years**

(21) Appl. No.: **29/345,718**

(22) Filed: **Oct. 21, 2009**

(51) **LOC (9) Cl.** ..... **23-01**

(52) **U.S. Cl.** ..... **D23/233**

(58) **Field of Classification Search** ..... D23/233–237, D23/244–249; 251/309–310, 315.1, 315.01, 251/315.14

See application file for complete search history.

(56) **References Cited**

**U.S. PATENT DOCUMENTS**

D411,609 S \* 6/1999 Stoltenberg et al. .... D23/233  
D486,204 S \* 2/2004 Tripp et al. .... D23/245  
D499,172 S \* 11/2004 Tripp et al. .... D23/245  
D605,254 S \* 12/2009 Lai ..... D23/233

(57) **CLAIM**

The ornamental design for a valve body, as shown and described.

**DESCRIPTION**

FIG. 1 is a perspective view of a valve body showing my new design;

FIG. 2 is a top plan view thereof;

FIG. 3 is a front elevational view thereof;

FIG. 4 is a rear view thereof;

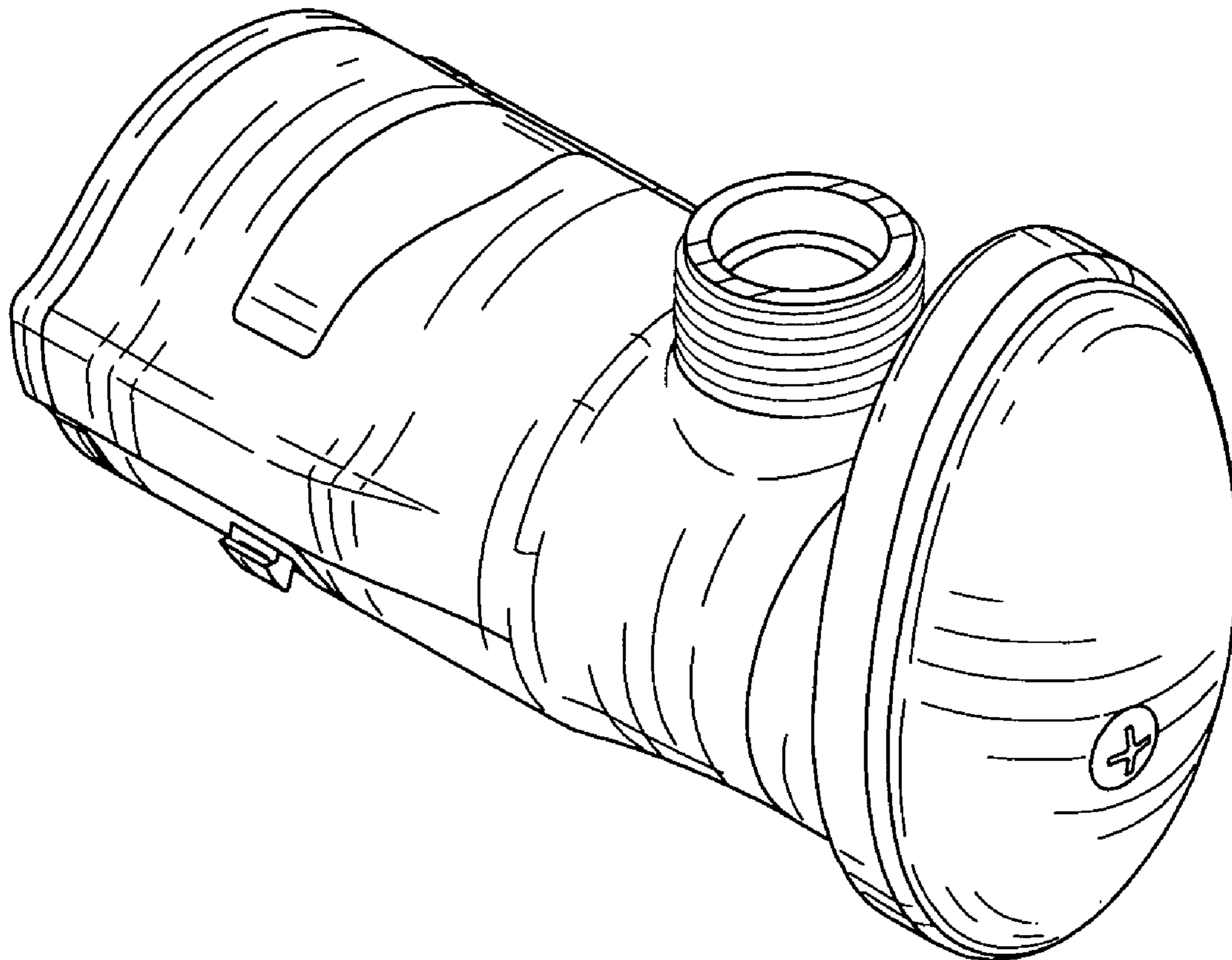
FIG. 5 is a bottom view thereof;

FIG. 6 is a left side view thereof; and,

FIG. 7 is a right side view thereof.

The broken line showing of unclaimed portions of the valve body forms no part of the claimed design.

**1 Claim, 3 Drawing Sheets**



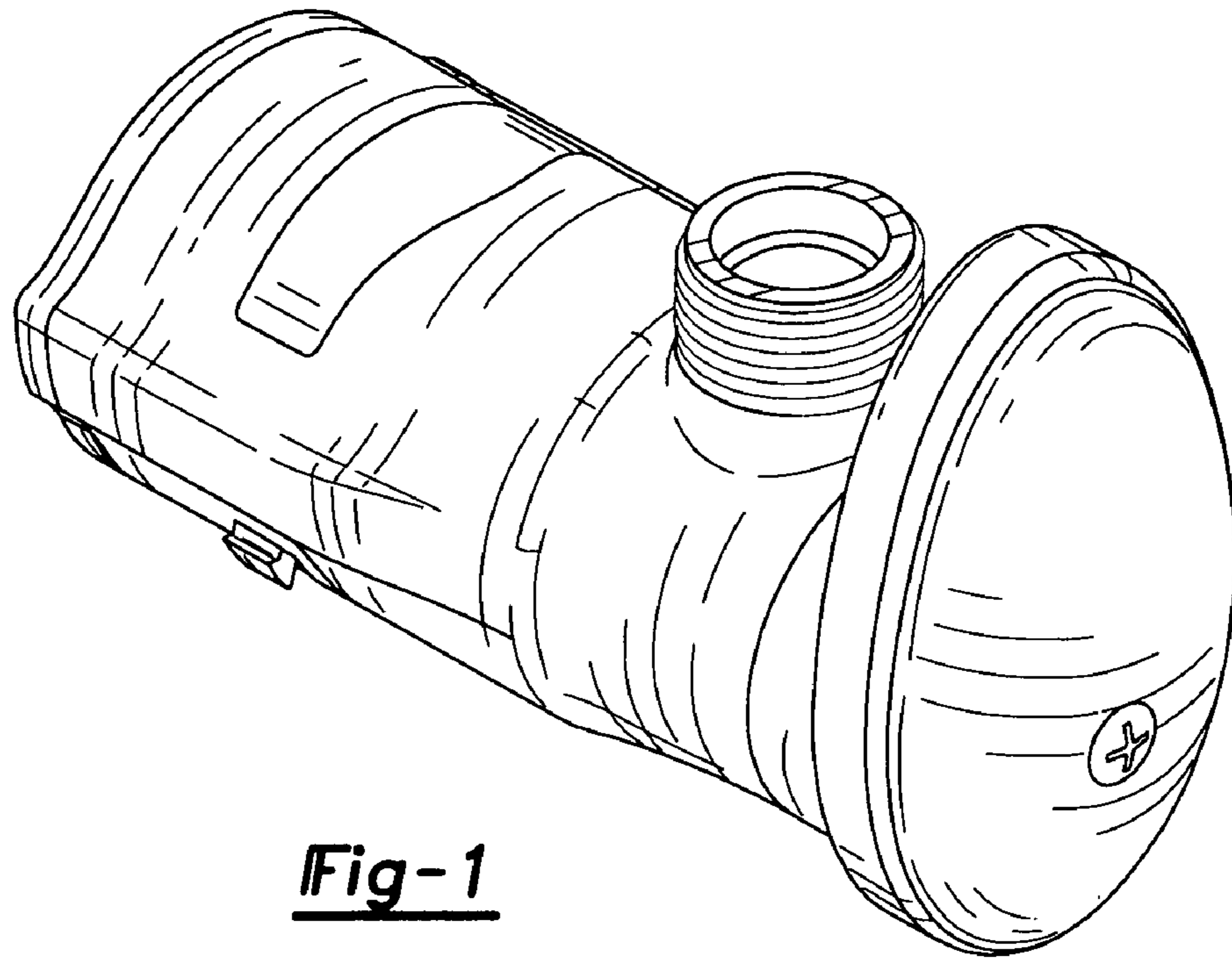


Fig-1

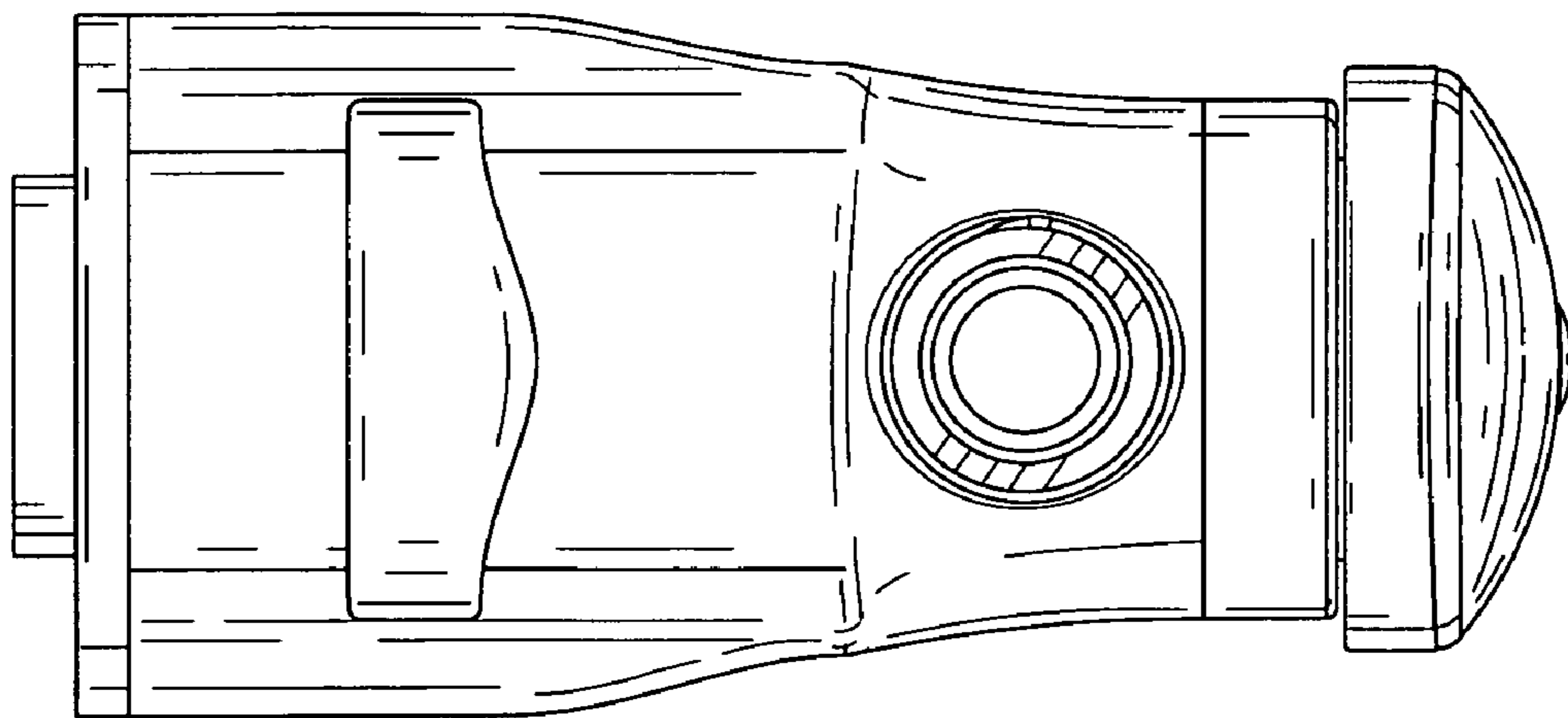


Fig-2

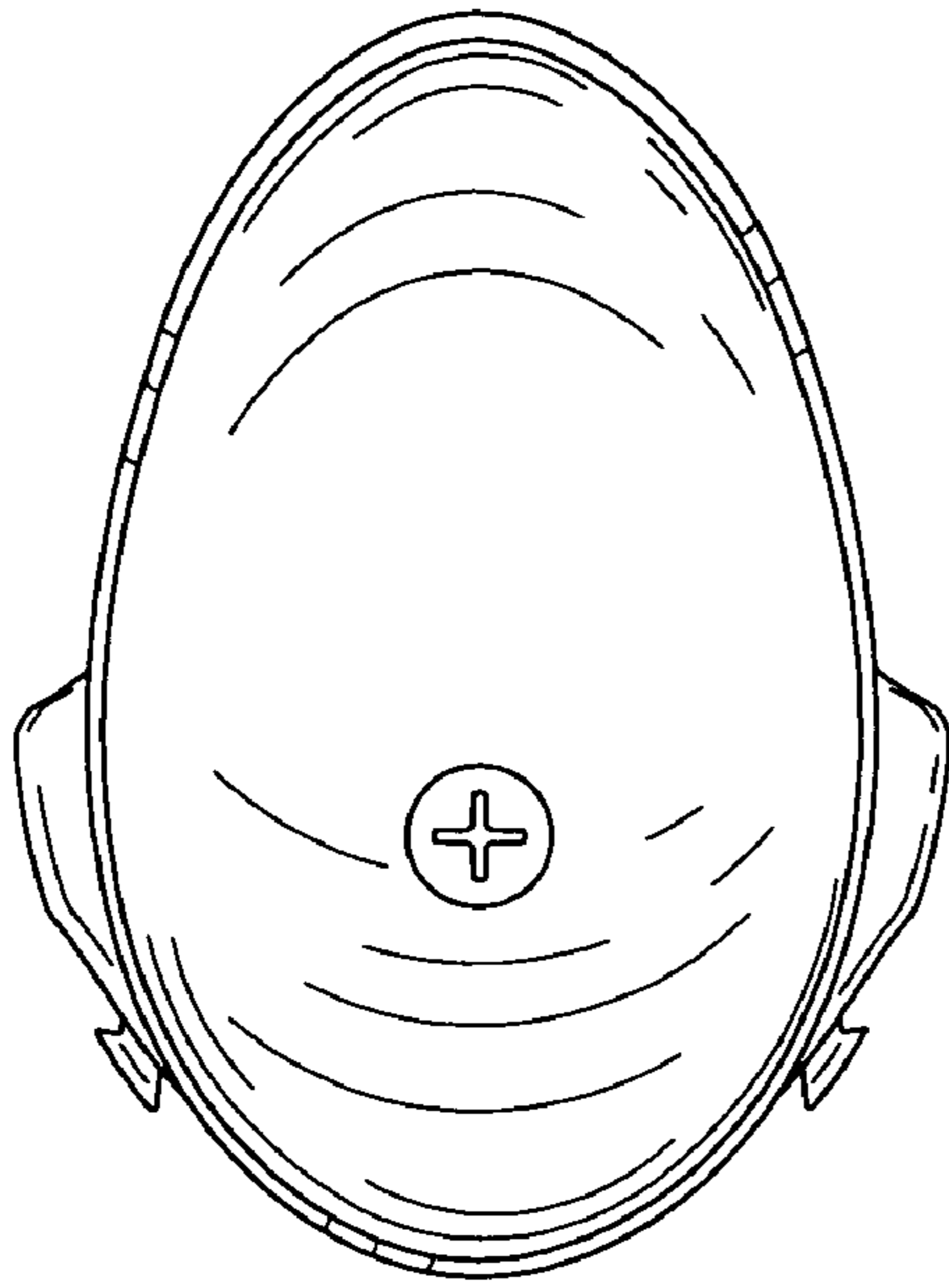


Fig-3

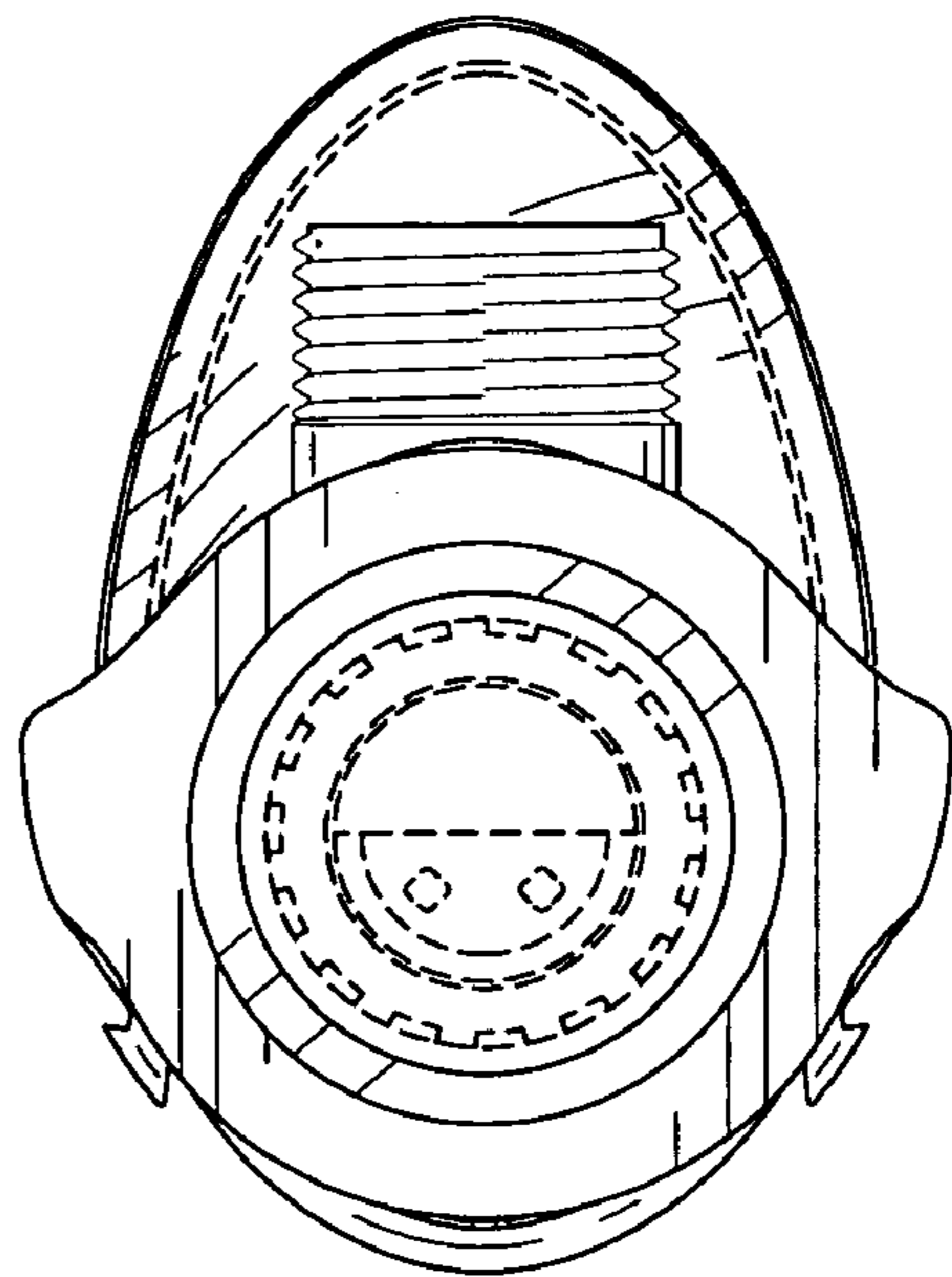


Fig-4

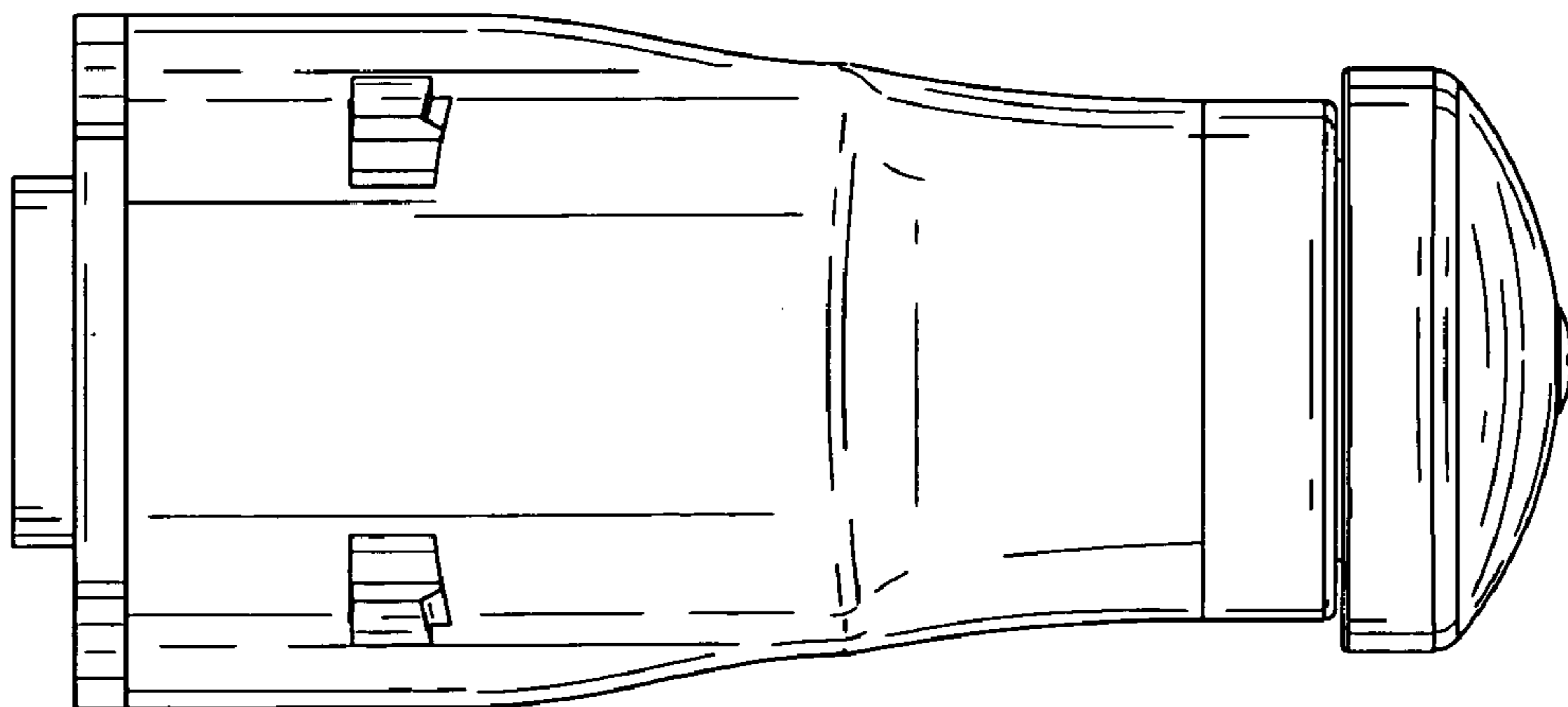


Fig-5

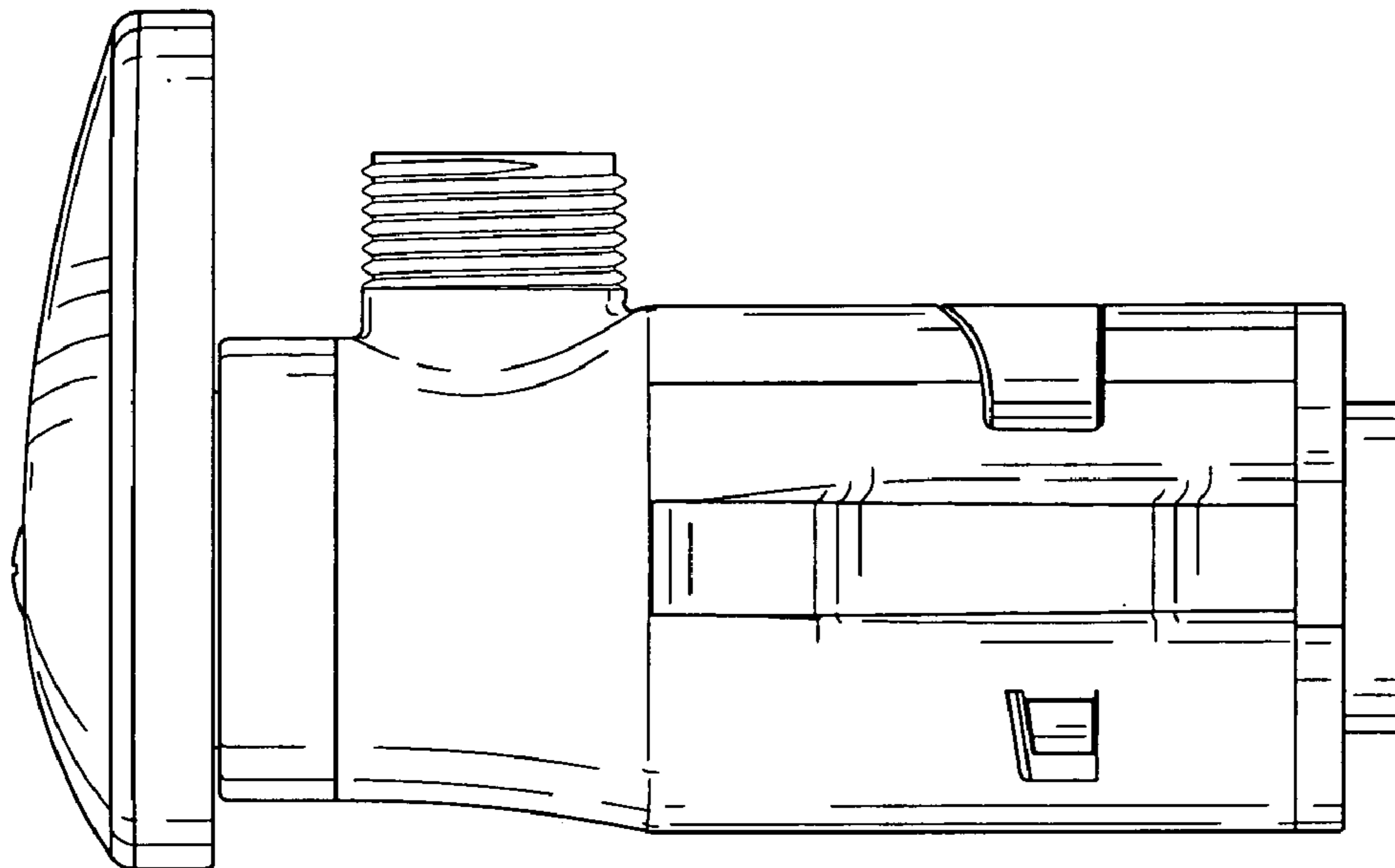


Fig-6

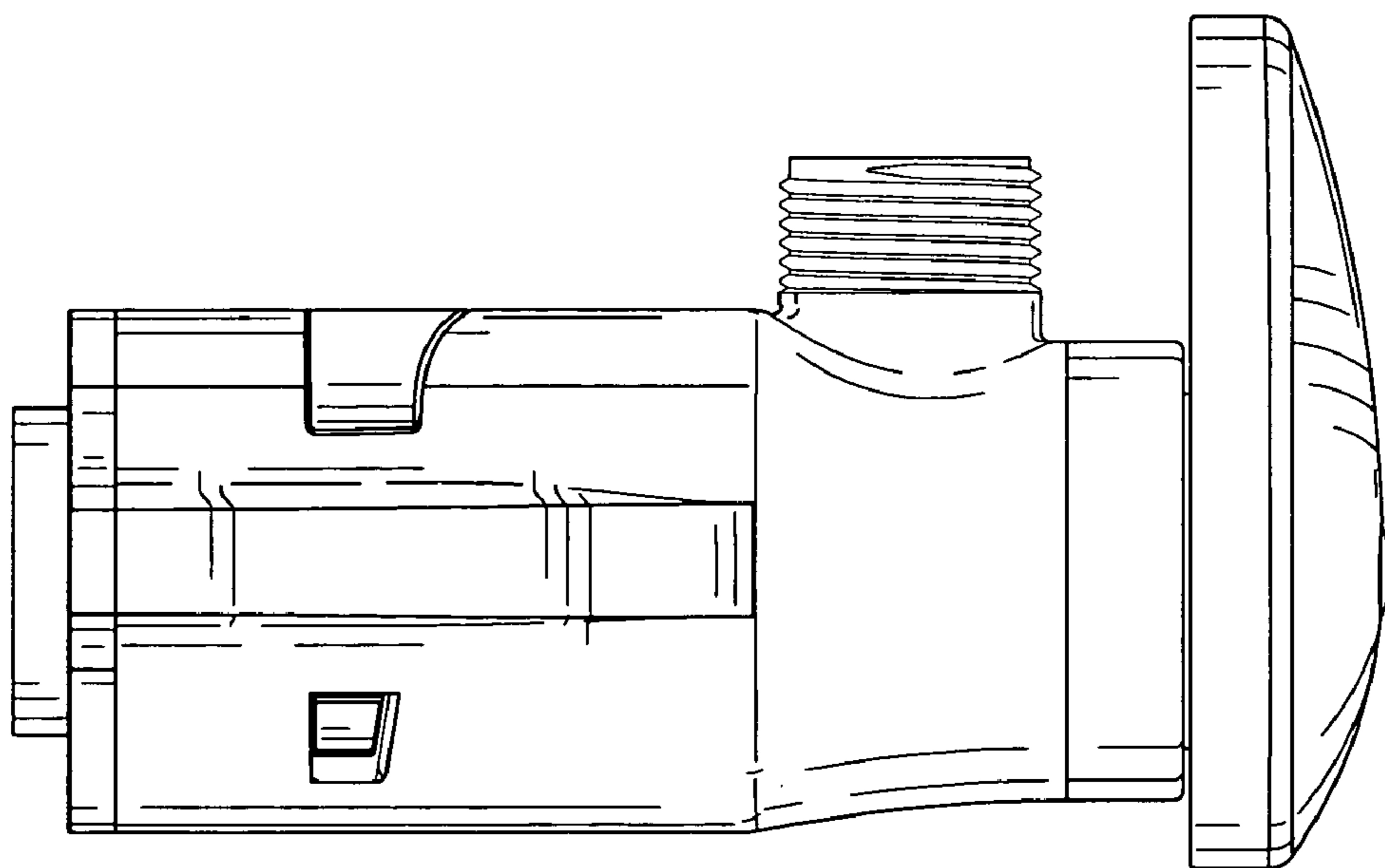


Fig-7