

US00D627035S

(12) **United States Design Patent**
Evar

(10) **Patent No.:** **US D627,035 S**

(45) **Date of Patent:** **** Nov. 9, 2010**

(54) **FOAM SPRAY GUN ASSEMBLY**

2002/0130200 A1* 9/2002 Hurray et al. 239/407

(75) Inventor: **Scott D. Evar**, Cleveland, OH (US)

* cited by examiner

(73) Assignee: **Twenty Ten, LLC**, Cleveland, OH (US)

Primary Examiner—Robin V Webster

(**) Term: **14 Years**

(74) *Attorney, Agent, or Firm*—Fay Sharpe LLP; Richard M. Klein

(21) Appl. No.: **29/345,242**

(57) **CLAIM**

(22) Filed: **Oct. 13, 2009**

The ornamental design for a foam spray gun assembly, as shown and described.

(51) **LOC (9) Cl.** **23-01**

(52) **U.S. Cl.** **D23/226; D8/14.1**

(58) **Field of Classification Search** D23/213,
D23/223, 226; 239/526, 413–414; D8/14.1
See application file for complete search history.

DESCRIPTION

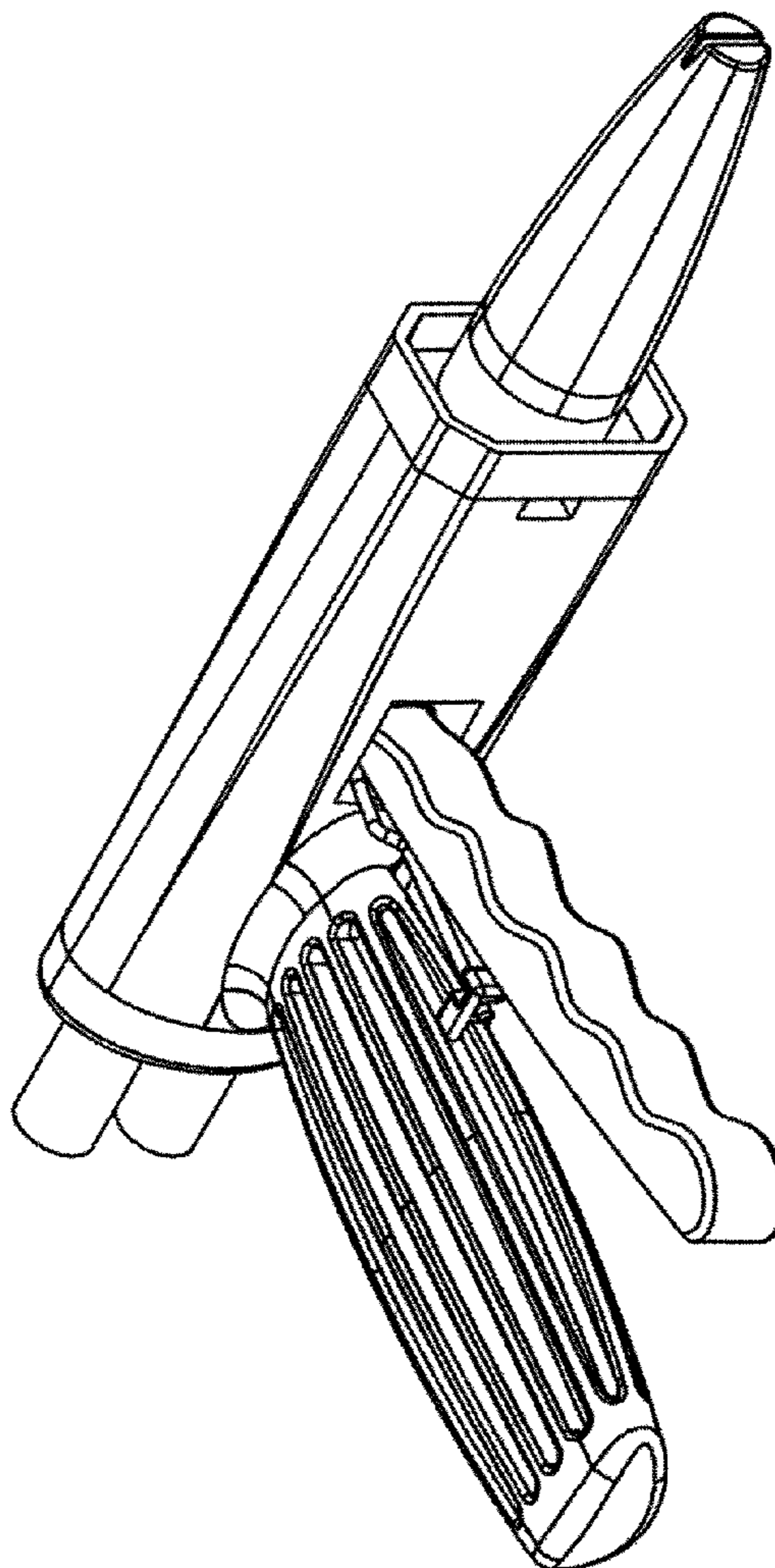
FIG. 1 is a right front perspective view;
FIG. 2 is a left rear perspective view;
FIG. 3 is a right side view;
FIG. 4 is a bottom view;
FIG. 5 is a top view;
FIG. 6 is a front view; and,
FIG. 7 is a rear view.

(56) **References Cited**

U.S. PATENT DOCUMENTS

6,345,776	B1 *	2/2002	Hurray et al.	239/413
6,527,203	B2 *	3/2003	Hurray et al.	239/413
6,622,948	B1 *	9/2003	Haas et al.	239/706
7,617,998	B2 *	11/2009	Mauchle et al.	239/707

1 Claim, 5 Drawing Sheets



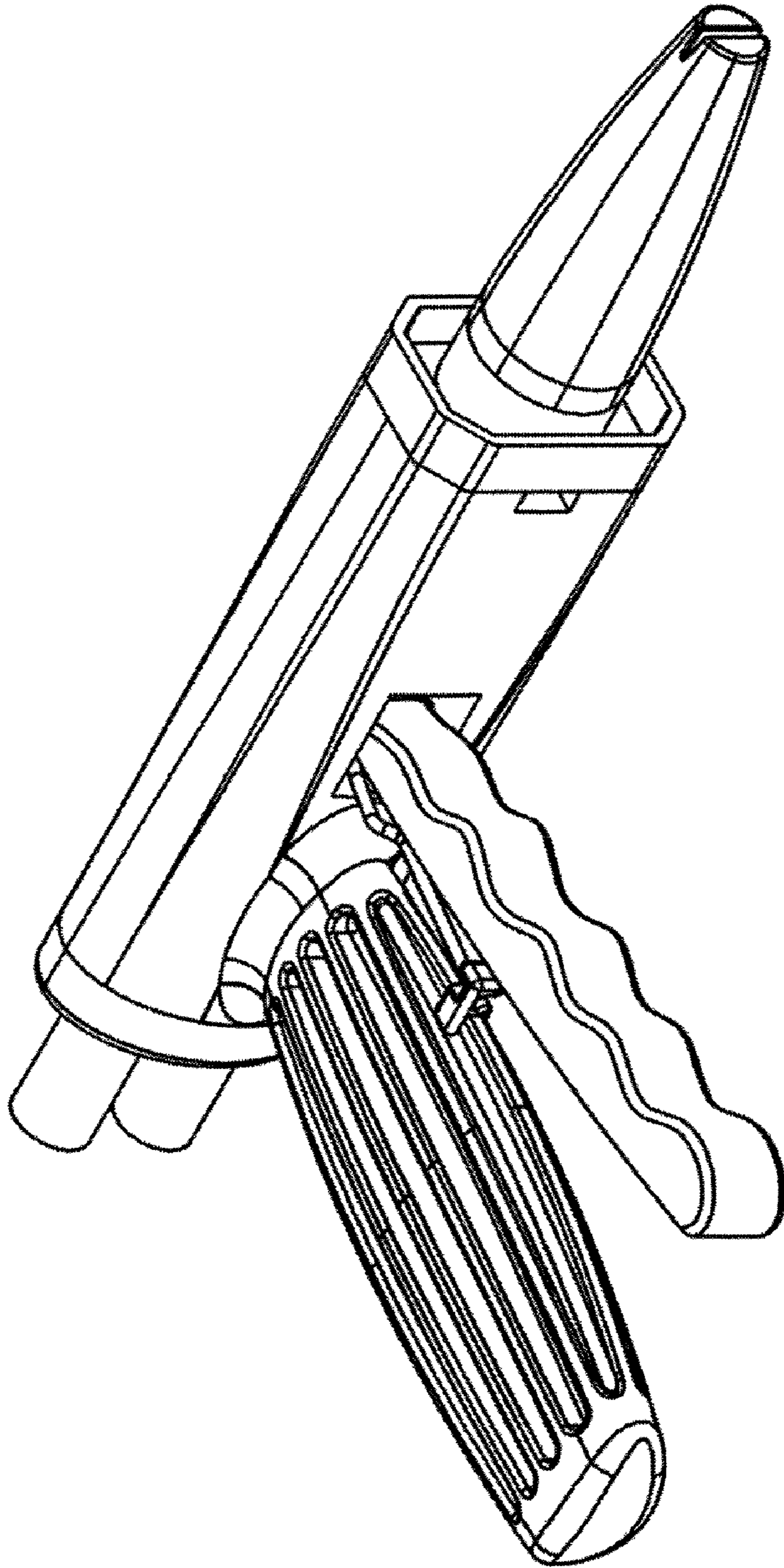


FIG. 1

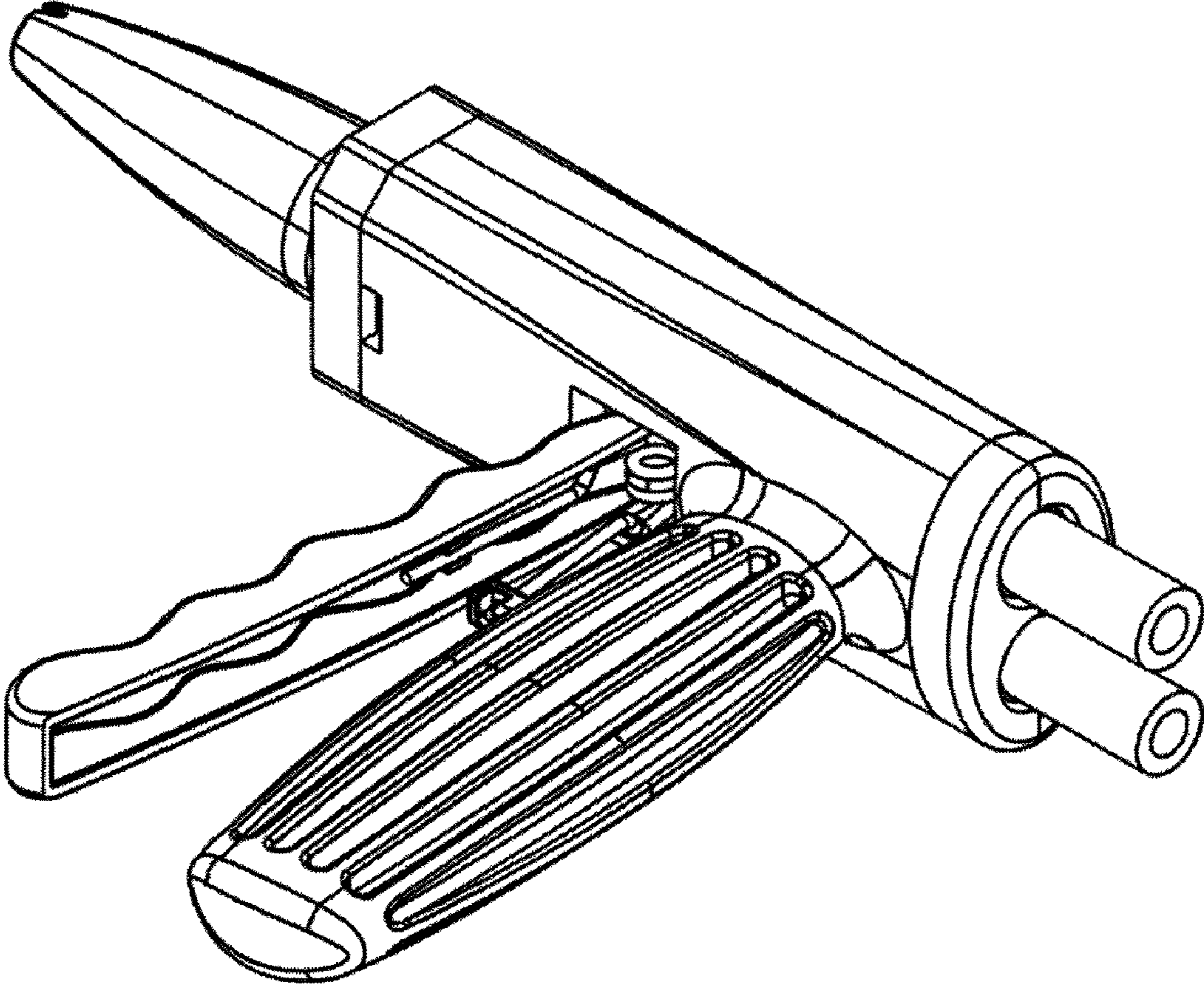


FIG. 2

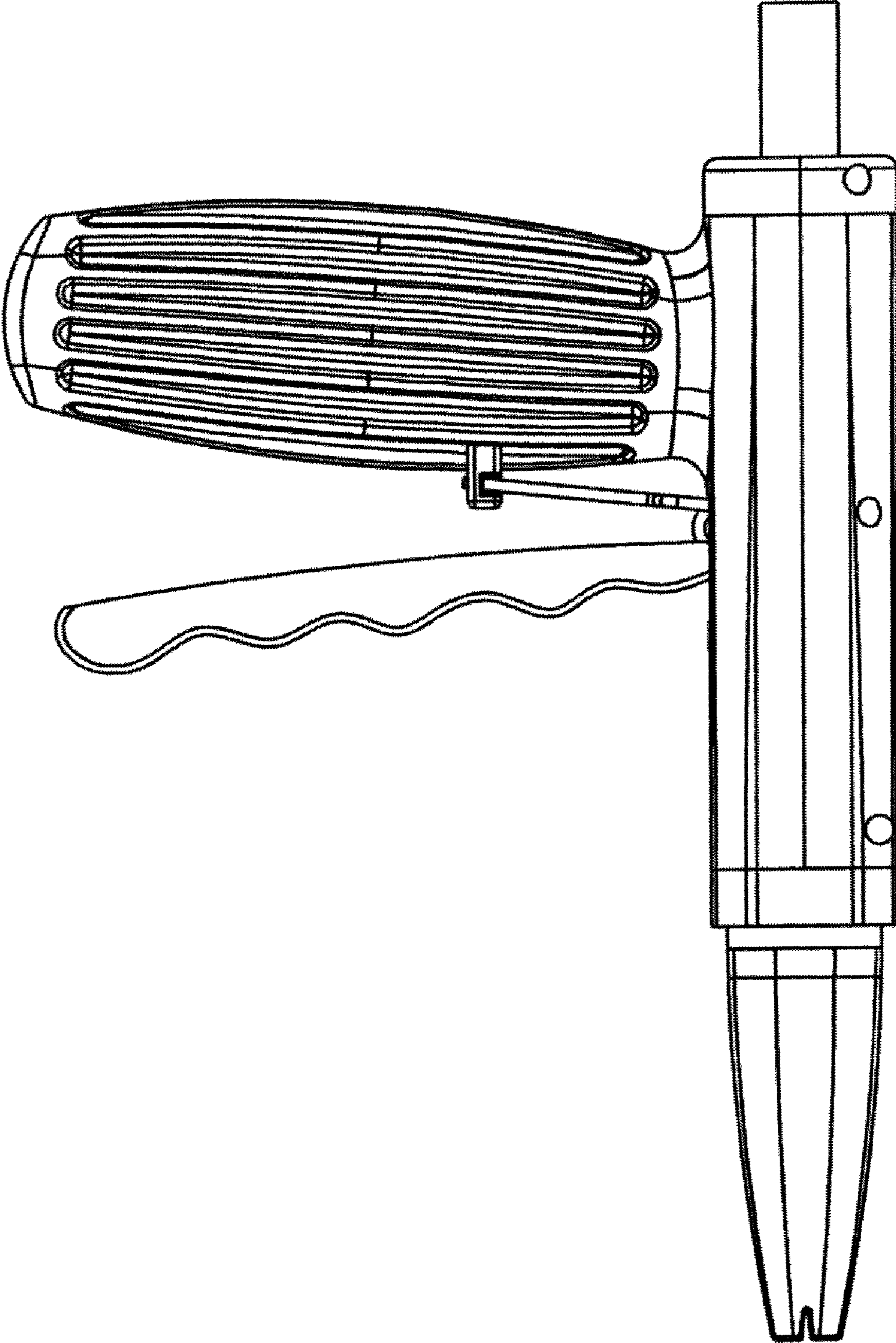


FIG. 3

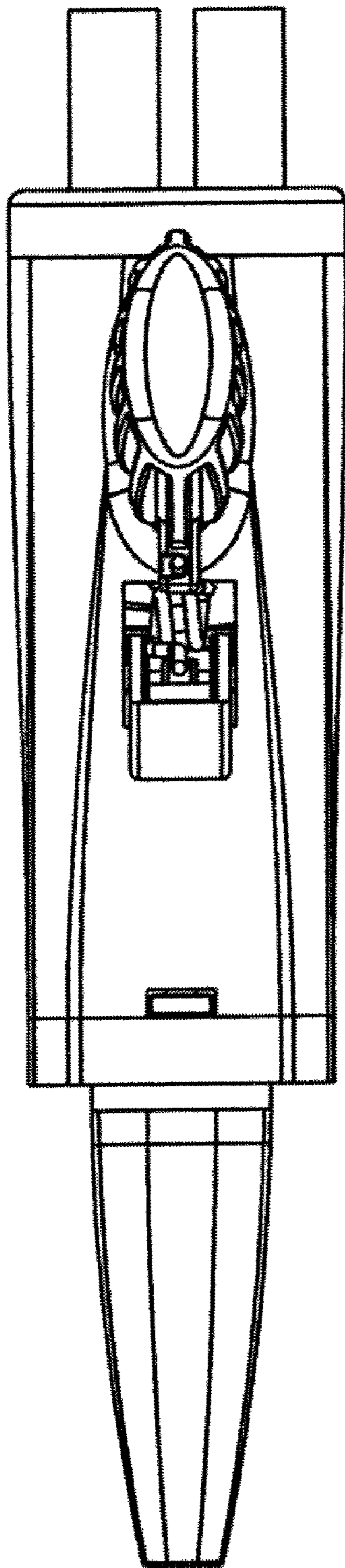


FIG. 4

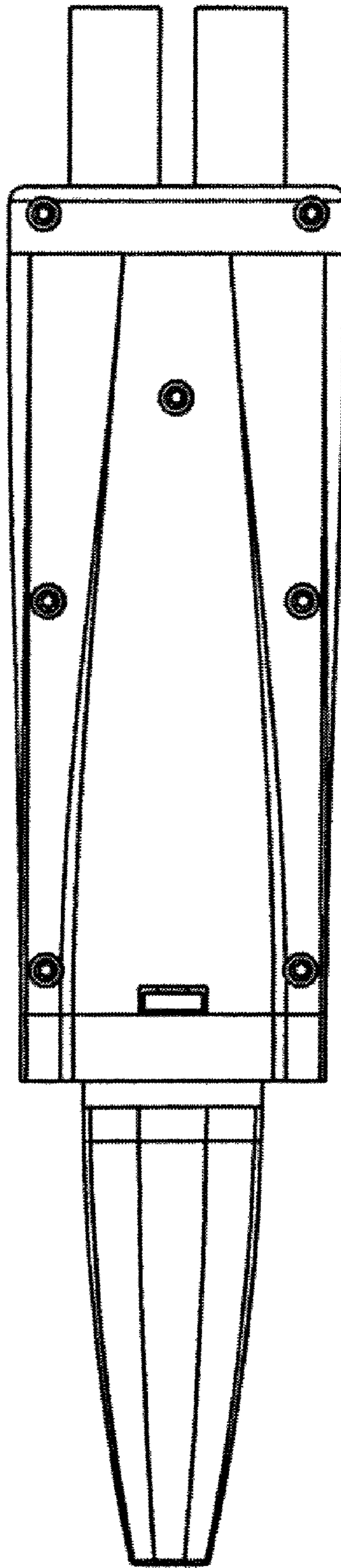


FIG. 5

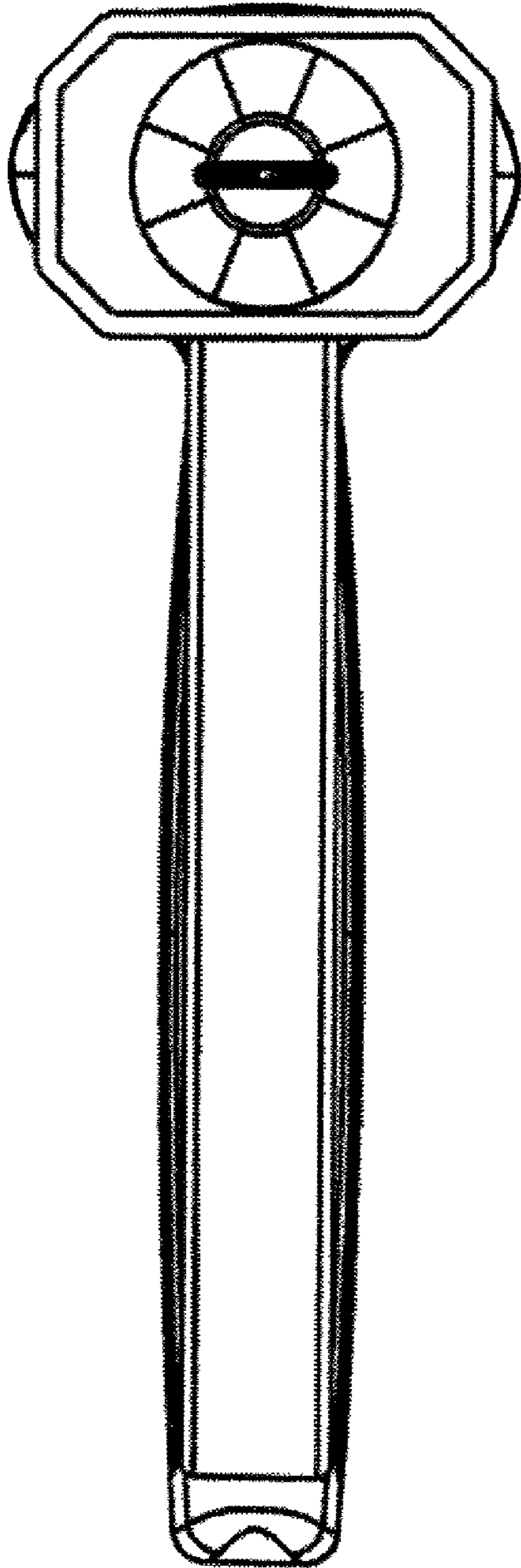


FIG. 6

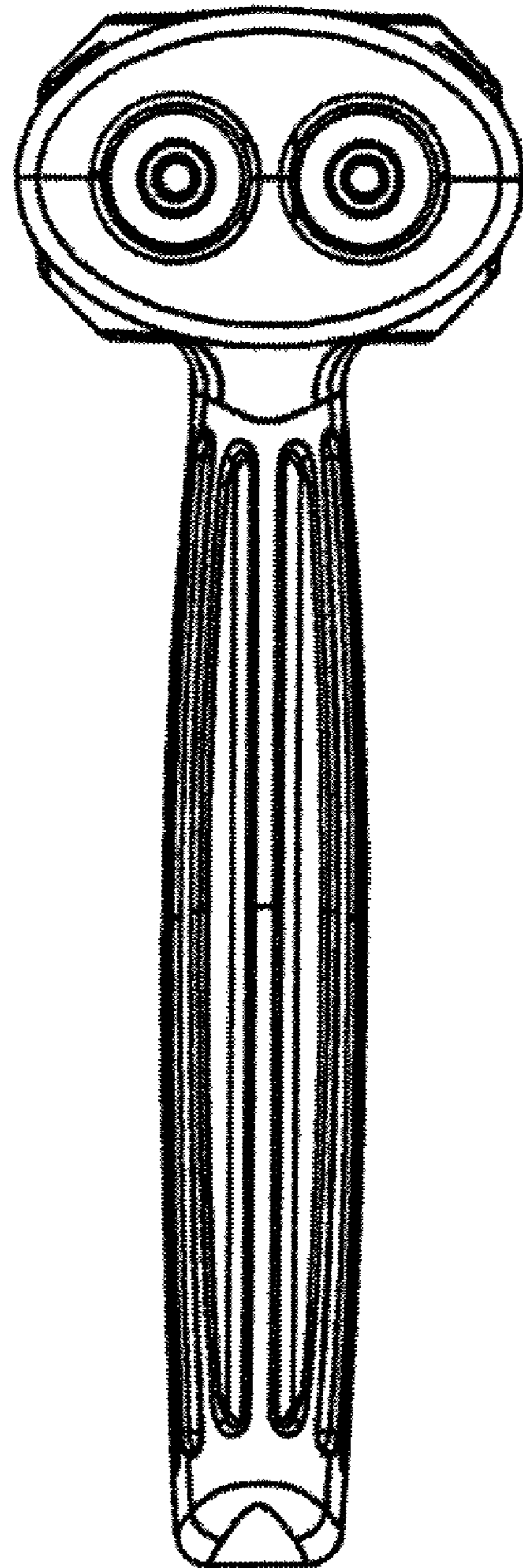


FIG. 7