



US00D627034S

(12) **United States Design Patent**  
**Perdue et al.**

(10) **Patent No.:** **US D627,034 S**  
(45) **Date of Patent:** **\*\* \*Nov. 9, 2010**

(54) **WATER TREATMENT TANK WITH SIDE ENTRY**

(75) Inventors: **Raymond Perdue**, Glenwood, IL (US);  
**Scott Watkins**, Glenwood, IL (US)

(73) Assignee: **Nalco Crossbow Water, LLC**,  
Glenwood, IL (US)

(\*) Notice: This patent is subject to a terminal disclaimer.

(\*\*) Term: **14 Years**

(21) Appl. No.: **29/328,373**

(22) Filed: **Nov. 24, 2008**

(51) **LOC (9) Cl.** ..... **23-01**

(52) **U.S. Cl.** ..... **D23/202**

(58) **Field of Classification Search** ..... D23/202-205;  
220/581, 587, 565, 567.1, 532.2, 533  
See application file for complete search history.

(56) **References Cited**

**U.S. PATENT DOCUMENTS**

- D222,252 S \* 10/1971 Coleman et al. .... D23/205
- D222,254 S \* 10/1971 Kattelman et al. .... D23/205
- D347,257 S \* 5/1994 McGrew, Jr. .... D23/202
- D415,553 S \* 10/1999 Wolfe ..... D23/202
- D418,196 S \* 12/1999 Faltys et al. .... D23/202

**OTHER PUBLICATIONS**

Crossbow Industrial Water D1 Express<sup>SM</sup> Portable Exchange Mixedbed Deionizer, Model J36M Product Description, available prior to Nov. 2008.

Crossbow Industrial Water D1 Express<sup>SM</sup> Portable Exchange Mixedbed Deionizer, Model J42M Product Description, available prior to Nov. 2008.

\* cited by examiner

*Primary Examiner*—Robin V Webster

(74) *Attorney, Agent, or Firm*—Edward O. Yonter; Michael B. Martin

(57) **CLAIM**

The ornamental design for a water treatment tank with side entry, as shown and described.

**DESCRIPTION**

FIG. 1 is a front view of the water treatment tank with side entry of the instant invention;

FIG. 2 is a rear view thereof;

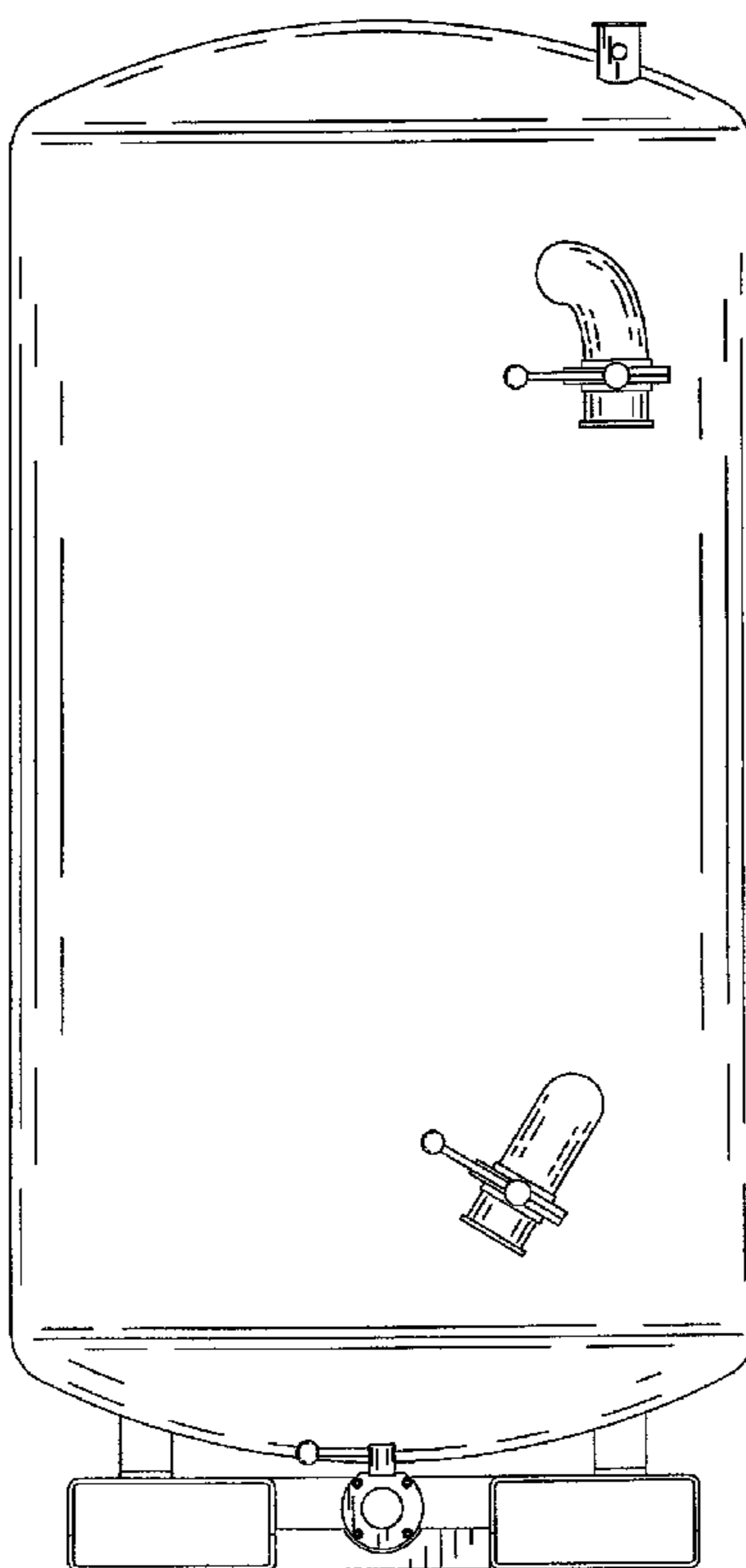
FIG. 3 is a left side view thereof;

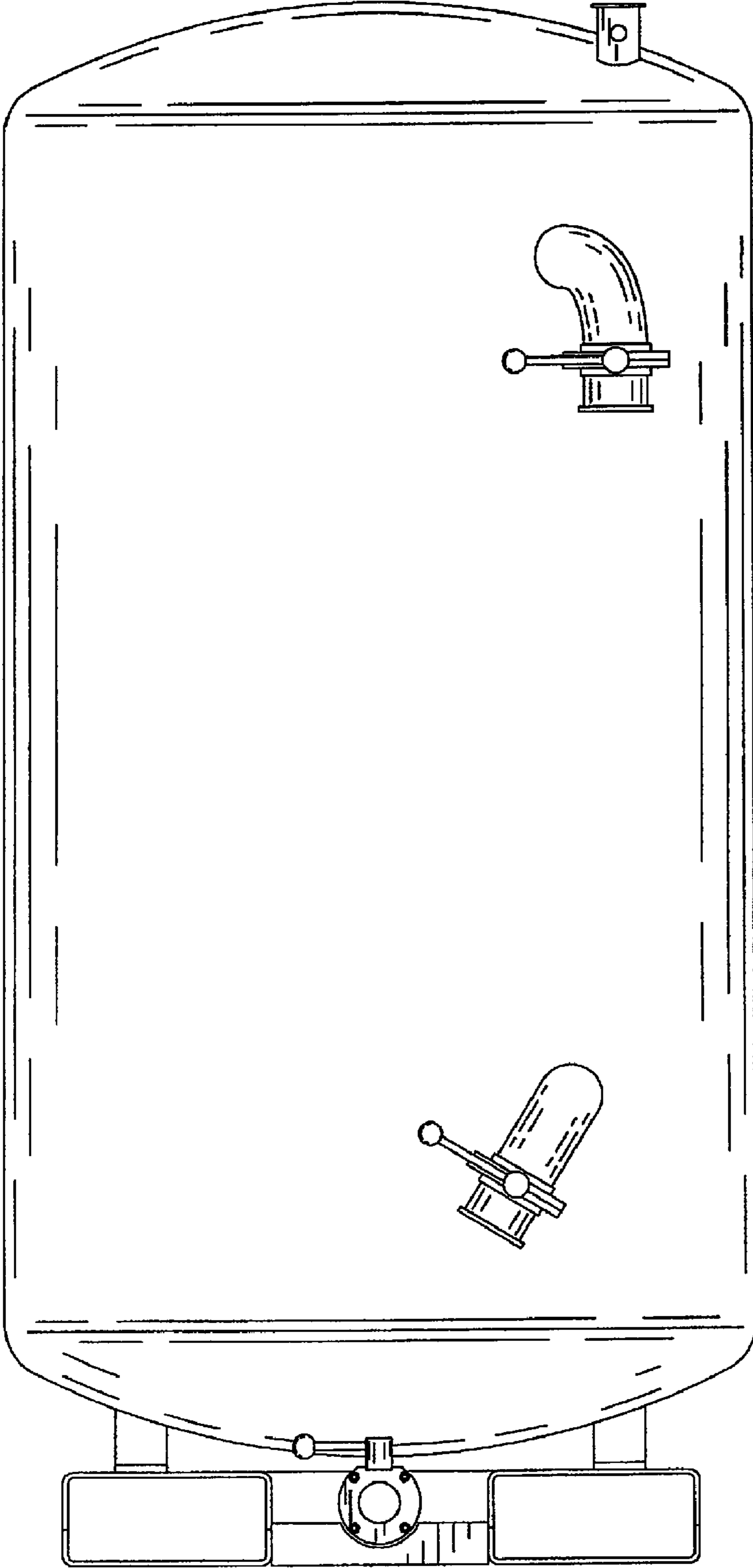
FIG. 4 is a right side view thereof;

FIG. 5 is a top view thereof; and,

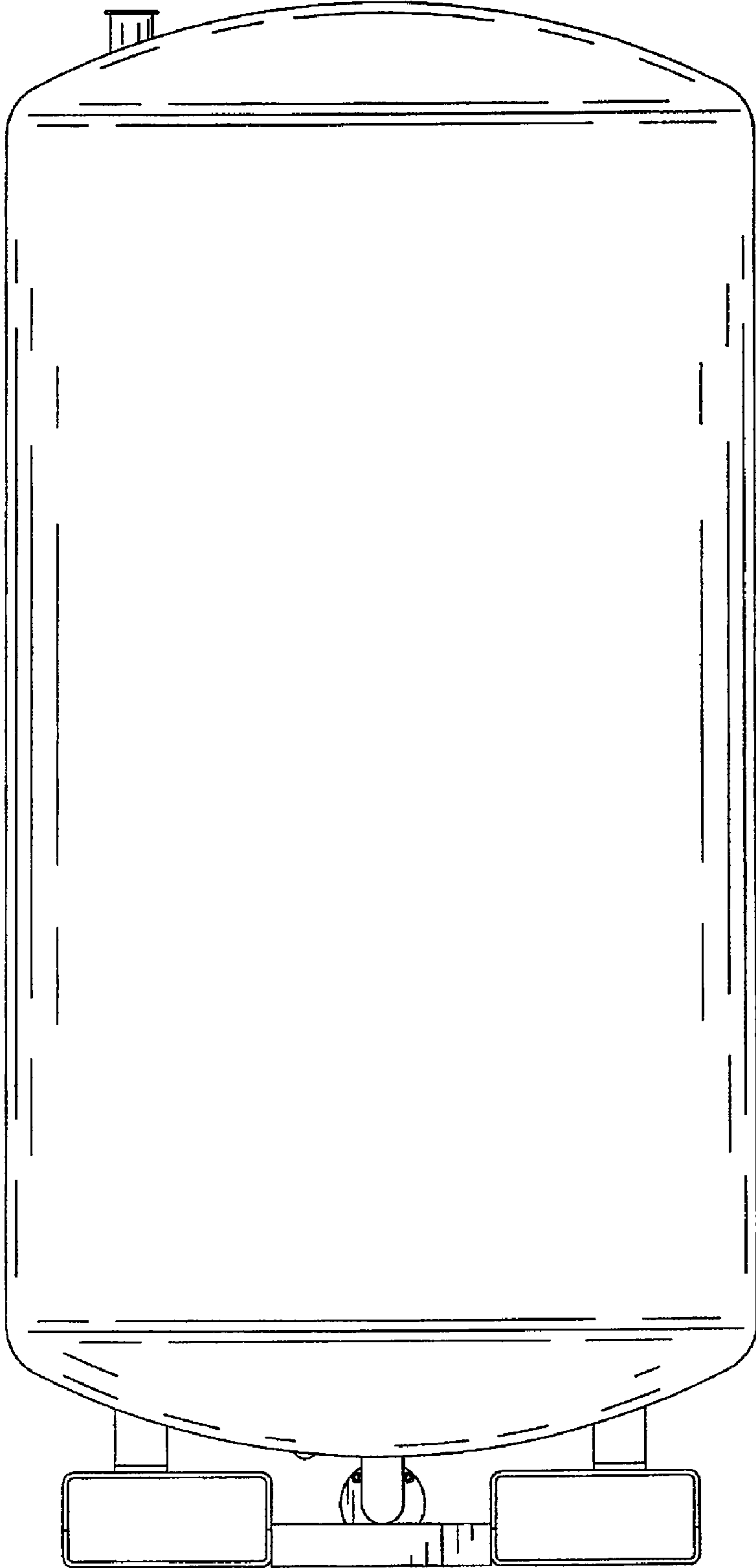
FIG. 6 is a bottom view thereof.

**1 Claim, 6 Drawing Sheets**

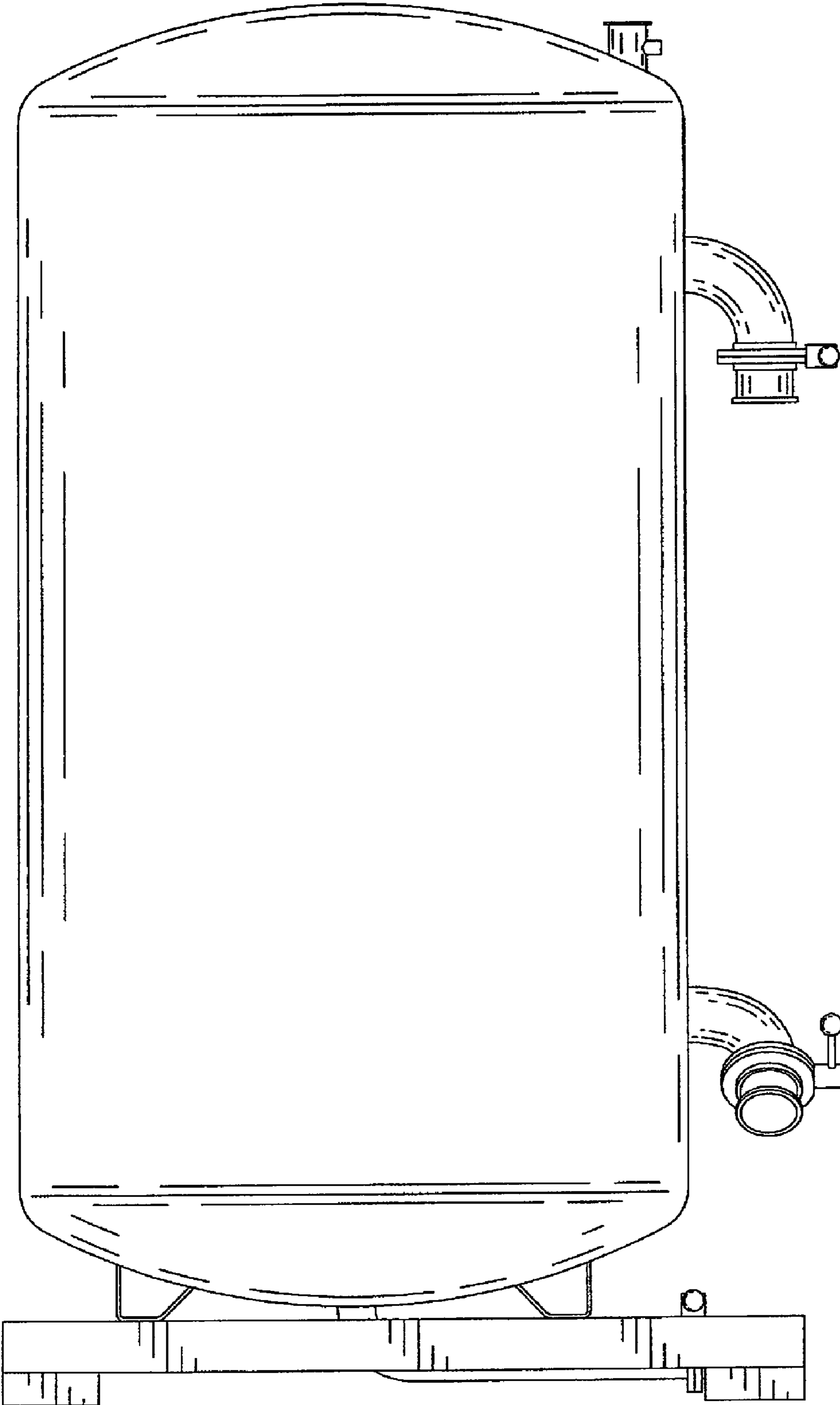




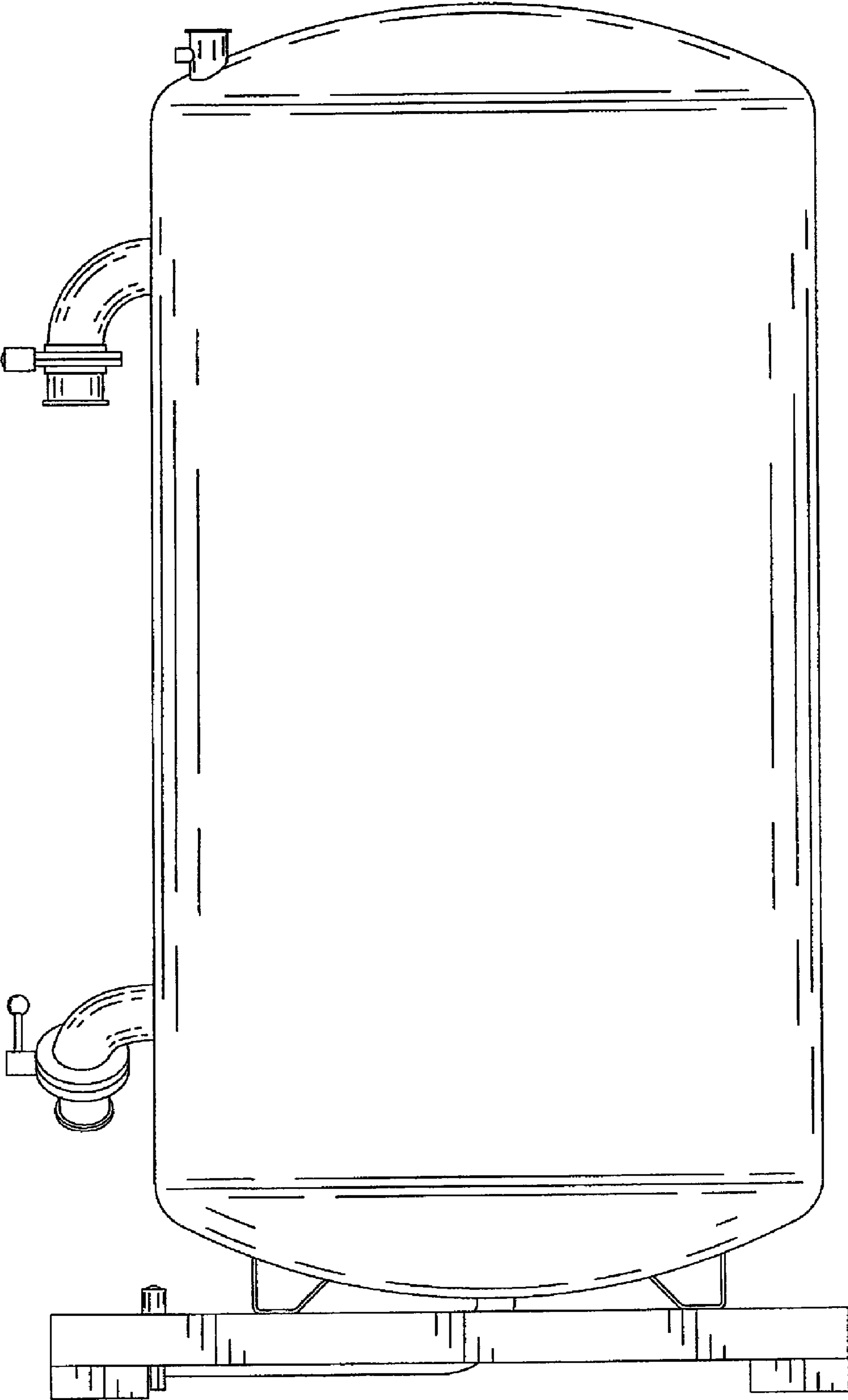
**Fig. 1**



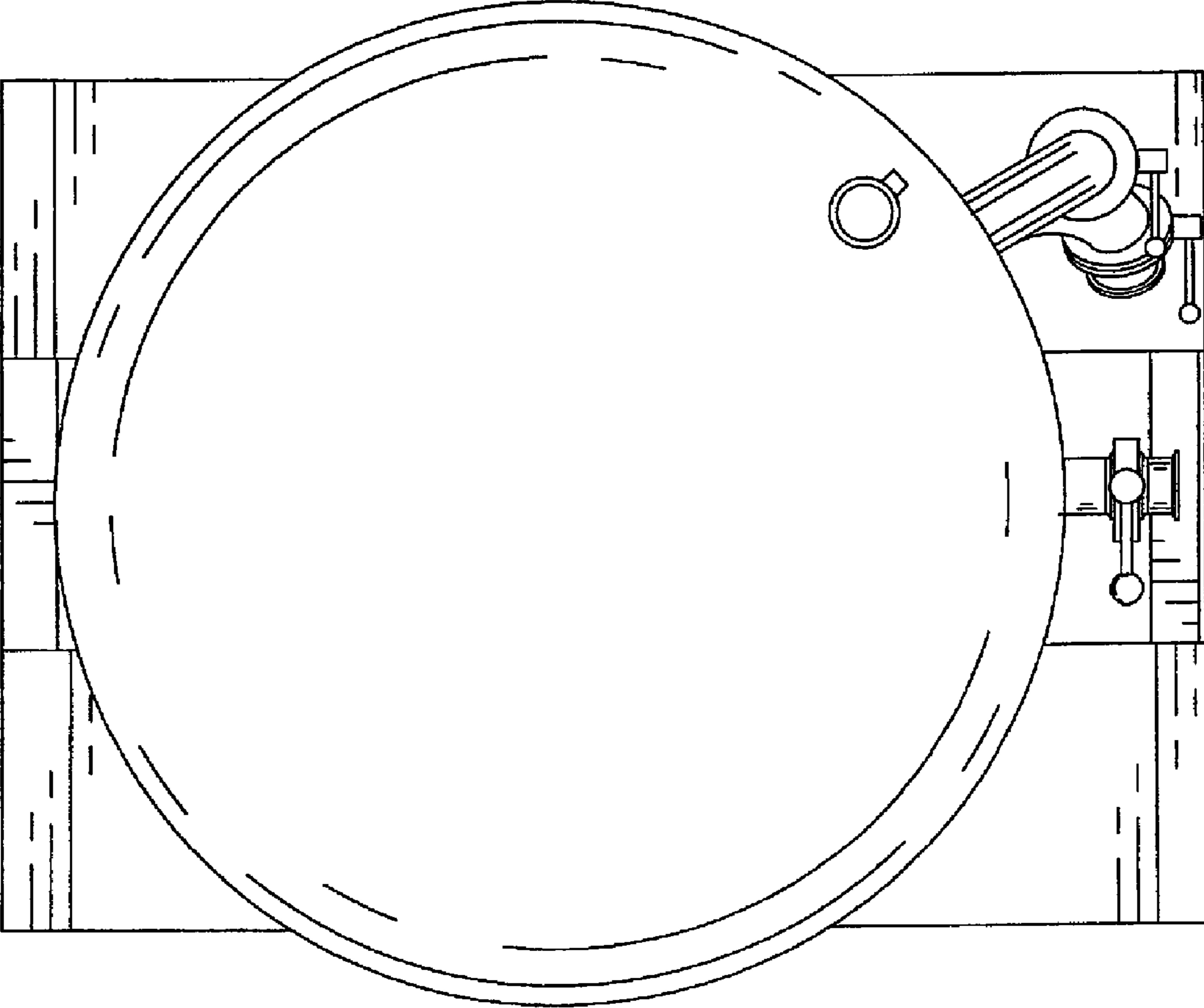
**Fig. 2**



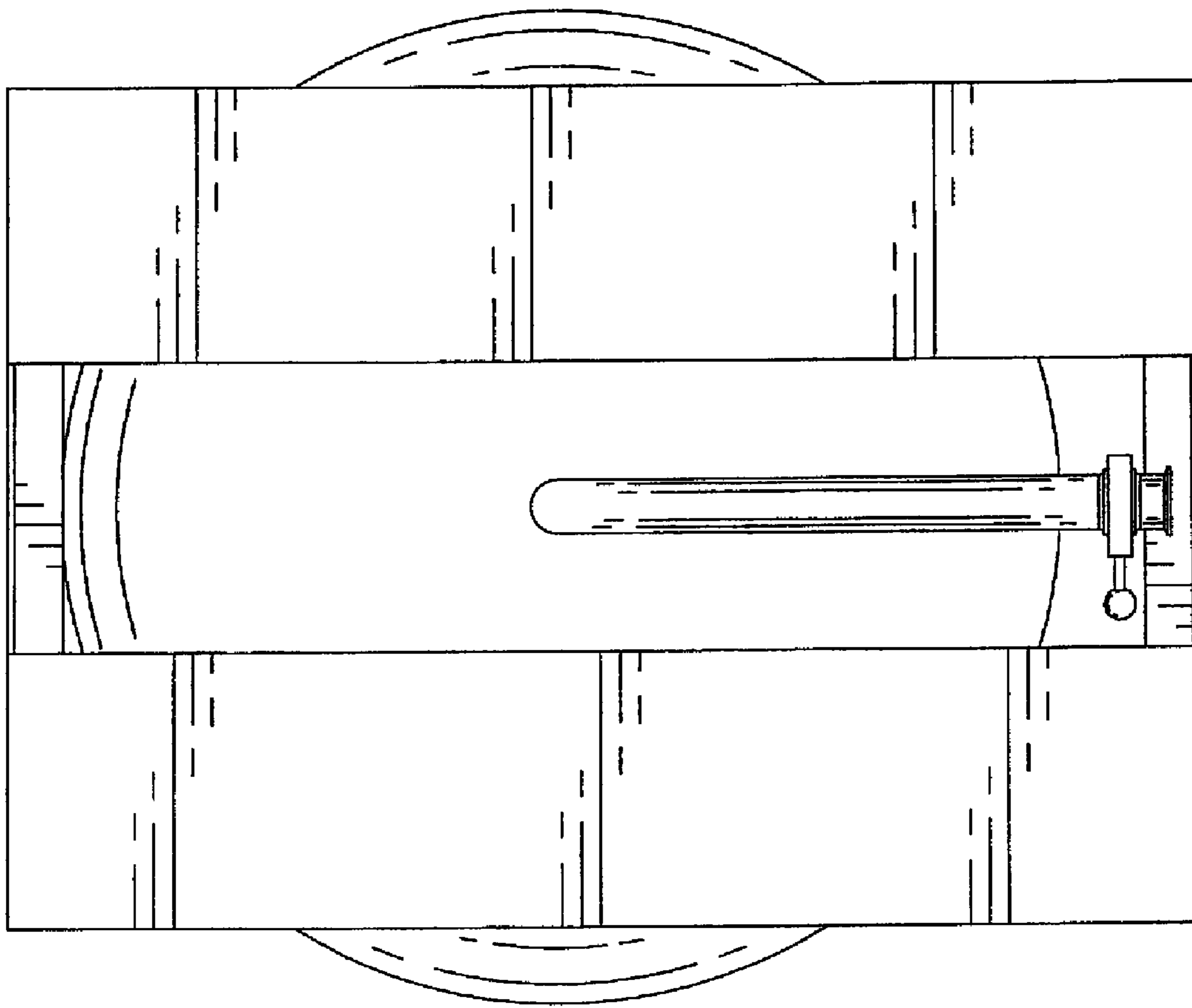
**Fig. 3**



**Fig. 4**



**Fig. 5**



**Fig. 6**