



US00D627032S

(12) **United States Design Patent**  
**Gimbert**

(10) **Patent No.:** **US D627,032 S**  
(45) **Date of Patent:** **\*\* Nov. 9, 2010**

(54) **LINE GUIDE RING FRAME FOR FISHING RODS**

(76) Inventor: **Scott W. Gimbert**, 542 Yellow Tail Pl., Chuluota, FL (US) 32766

(\*\*) Term: **14 Years**

(21) Appl. No.: **29/359,972**

(22) Filed: **Apr. 19, 2010**

**Related U.S. Application Data**

(63) Continuation of application No. 11/773,067, filed on Jul. 3, 2007.

(51) **LOC (9) Cl.** ..... **22-05**

(52) **U.S. Cl.** ..... **D22/143**

(58) **Field of Classification Search** ..... D22/143, D22/137-140; 43/24

See application file for complete search history.

(56) **References Cited**

**U.S. PATENT DOCUMENTS**

D335,328 S *	5/1993	Ohmura	.....	D22/143
D346,849 S *	5/1994	Yamamoto et al.	.....	D22/143
D349,749 S *	8/1994	Yamamoto et al.	.....	D22/143
D395,695 S *	6/1998	Ohmura	.....	D22/143
D482,427 S *	11/2003	Park	.....	D22/143
D484,216 S *	12/2003	Park	.....	D22/143

\* cited by examiner

*Primary Examiner*—Catherine R Oliver

(74) *Attorney, Agent, or Firm*—Allen, Dyer, Doppelt, Milbrath & Gilchrist, P.A.

(57) **CLAIM**

The ornamental design for a line guide ring frame for fishing rods, as shown and described.

**DESCRIPTION**

FIG. 1 is a front-side perspective view of one embodiment of the present line guide ring frame design for fishing rods;

FIG. 2 is a front view of FIG. 1;

FIG. 3 is a right side view of FIG. 1, the left side view being a mirror image thereof;

FIG. 4 is a top plan view of FIG. 1;

FIG. 5 is a bottom plan view of FIG. 1;

FIG. 6 is a front-side perspective view of a second embodiment of the present line guide ring frame design for fishing rods;

FIG. 7 is a front view of FIG. 6;

FIG. 8 is a right side view of FIG. 6, the left side view being a mirror image thereof;

FIG. 9 is a top plan view of FIG. 6;

FIG. 10 is a bottom plan view of FIG. 6;

FIG. 11 is a front-side perspective view of a third embodiment of the present line guide ring frame design for fishing rods;

FIG. 12 is a front view of FIG. 11;

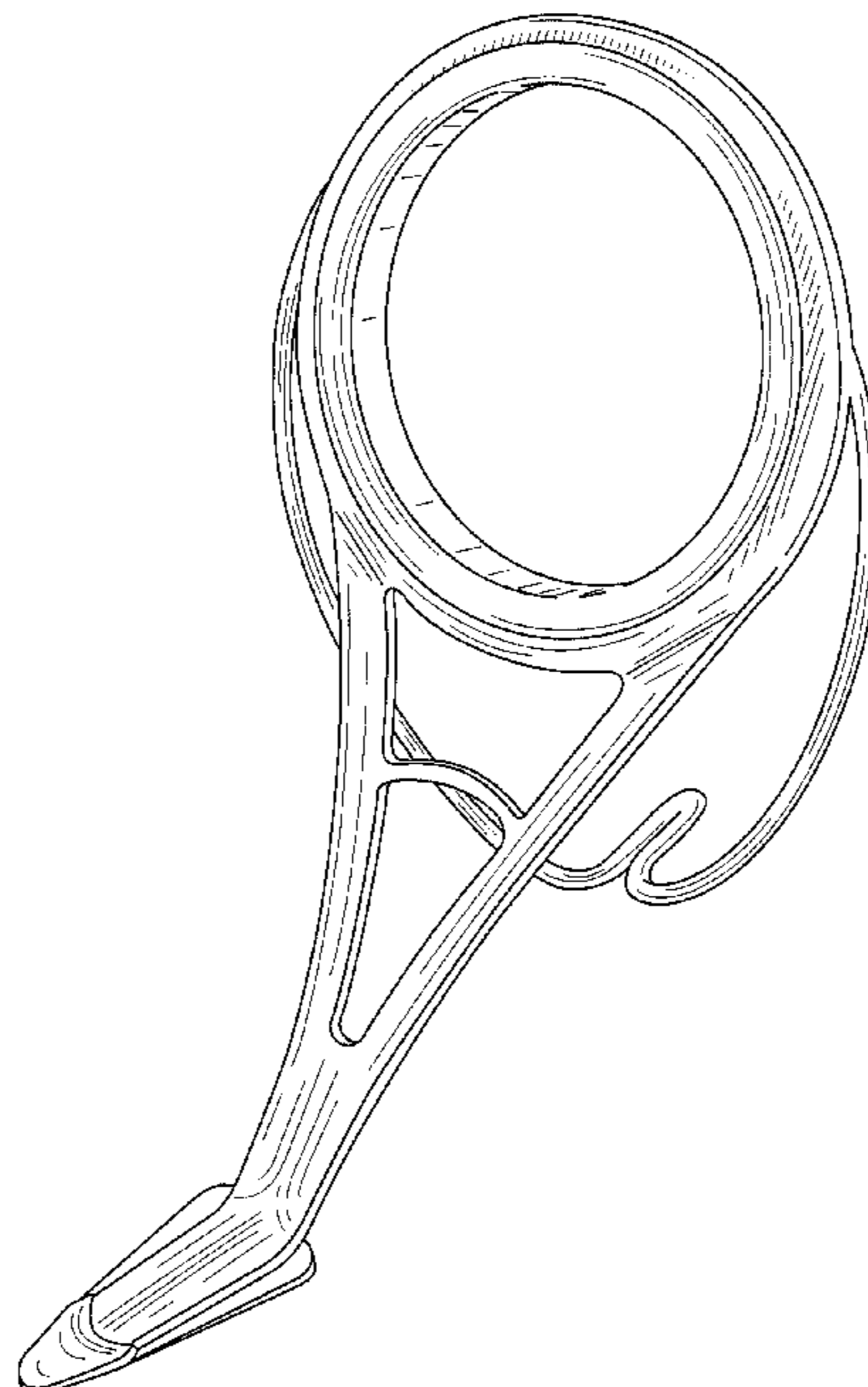
FIG. 13 a right side view of FIG. 11, the left side view being a mirror image thereof;

FIG. 14 is a top plan view of FIG. 11; and,

FIG. 15 is a bottom plan view of FIG. 11.

The broken lines showing in the attached drawings are for illustrative purposes only and form no part of the claimed design.

**1 Claim, 12 Drawing Sheets**



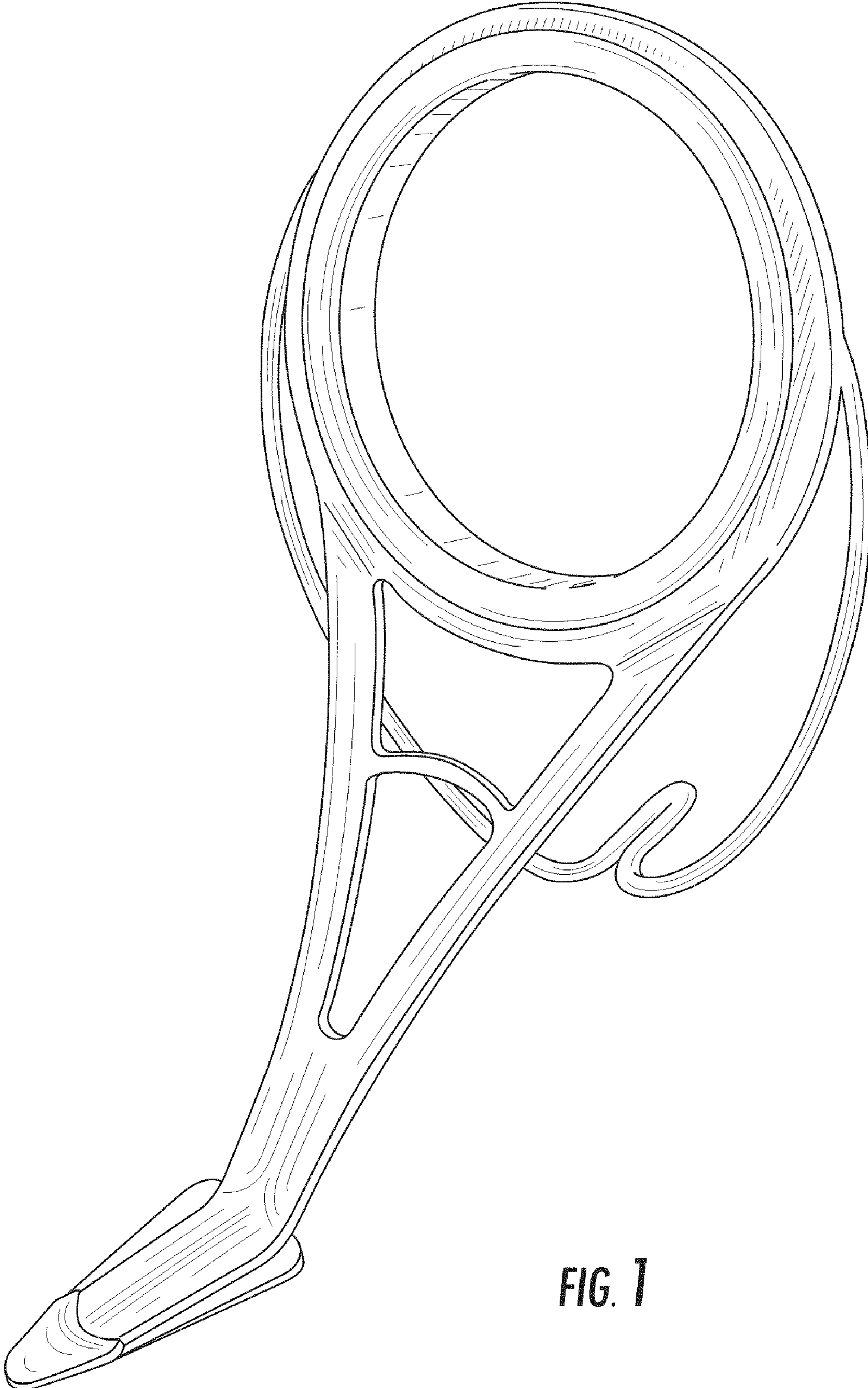
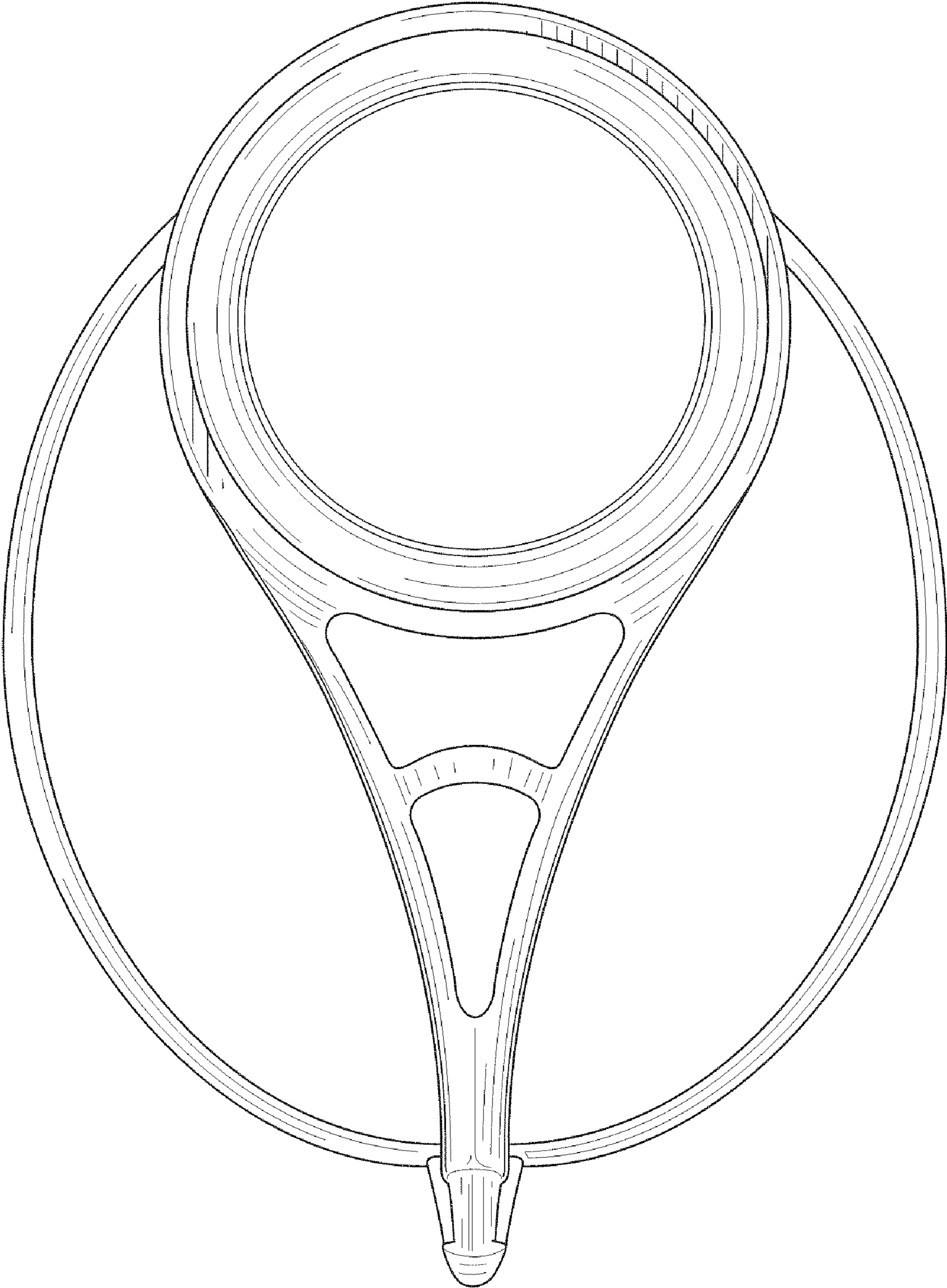
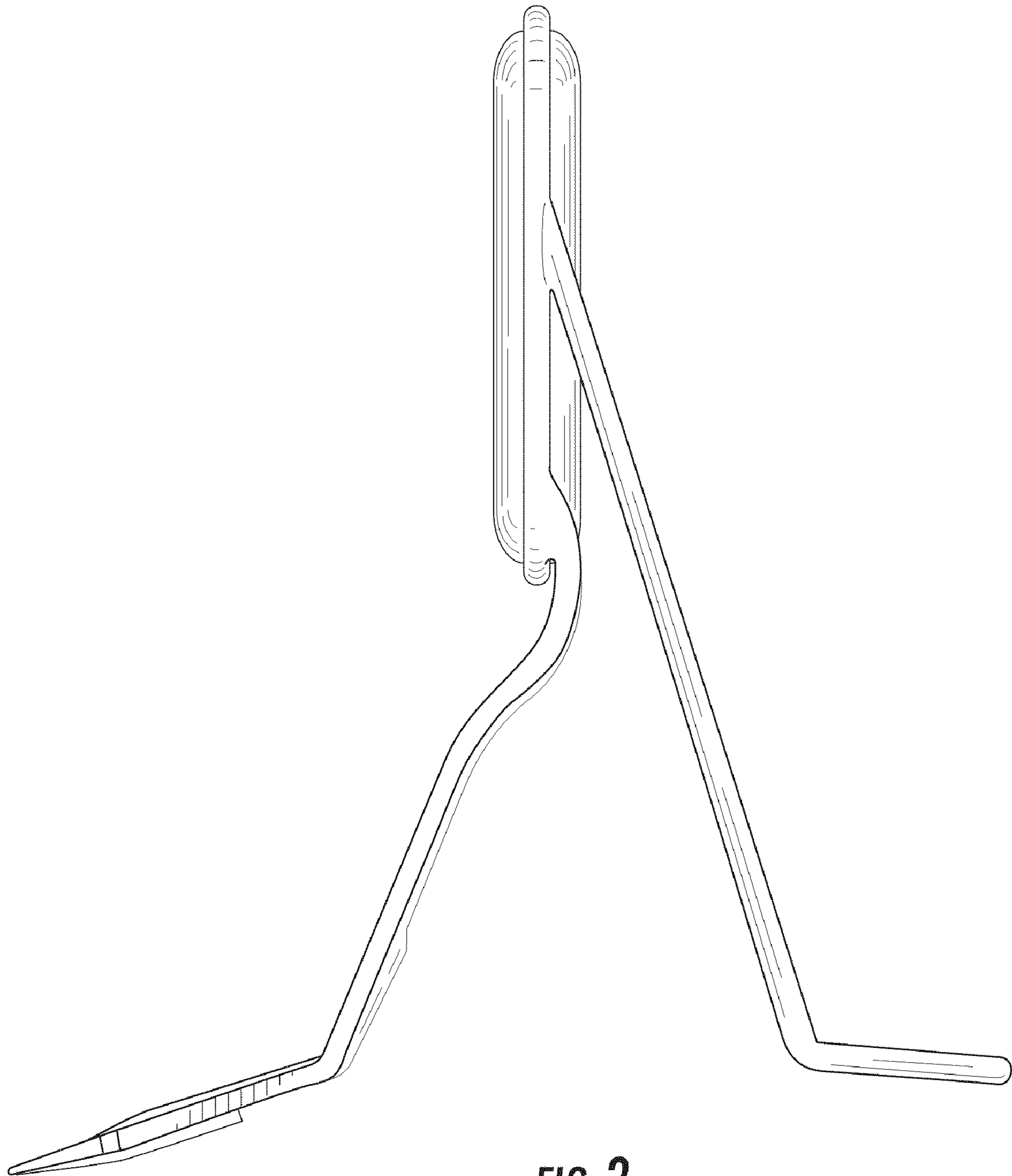


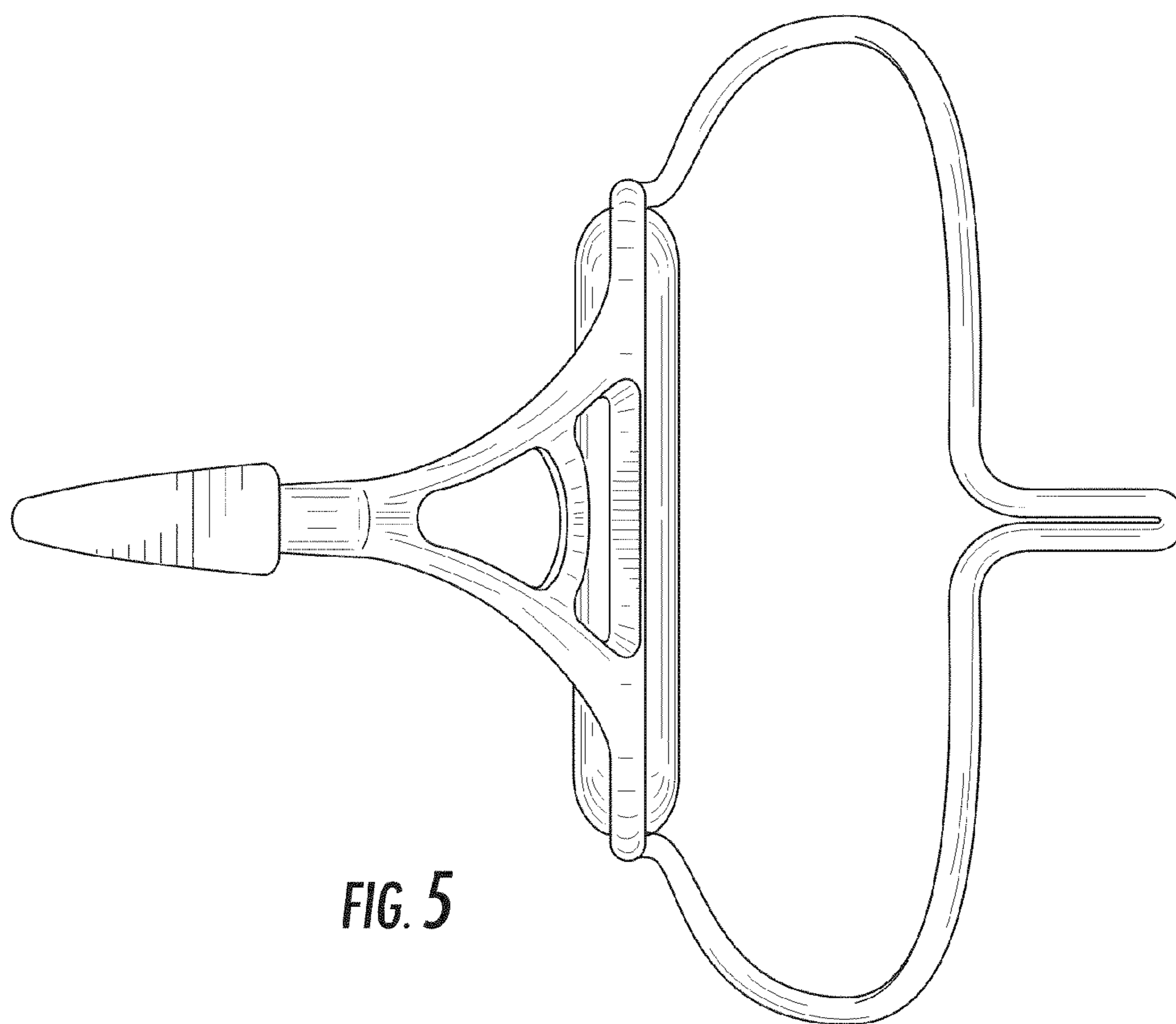
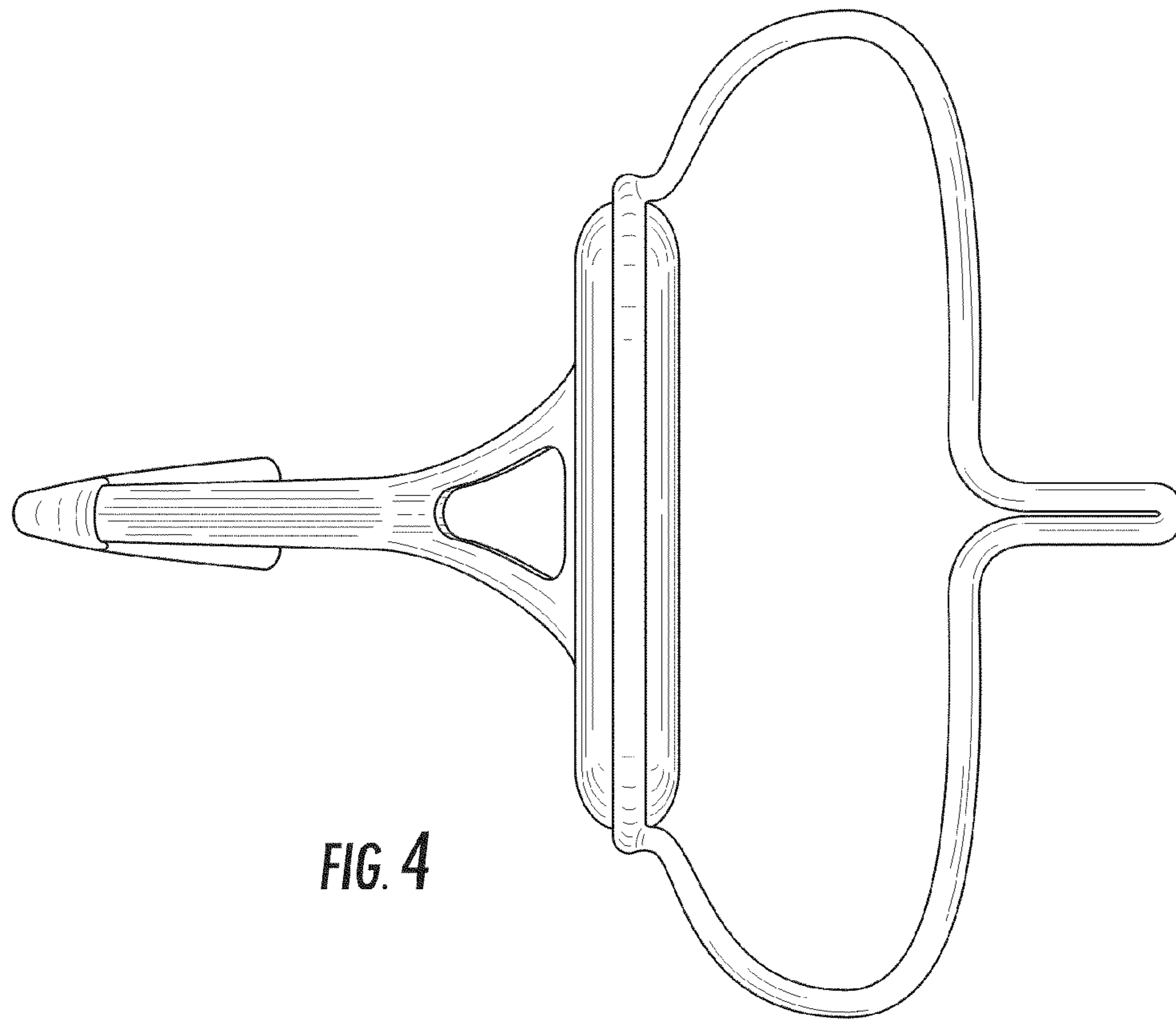
FIG. 1



**FIG. 2**



**FIG. 3**



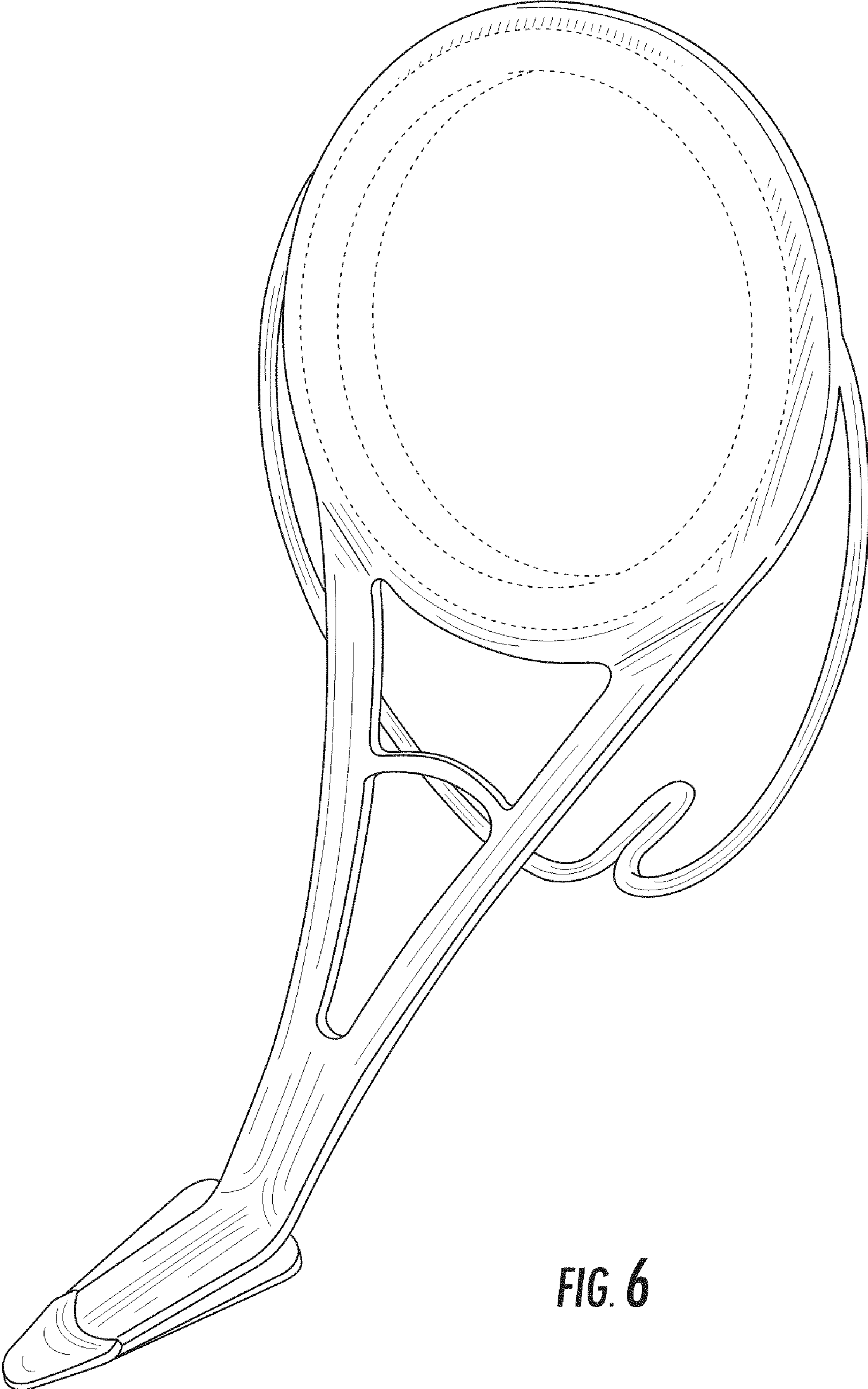
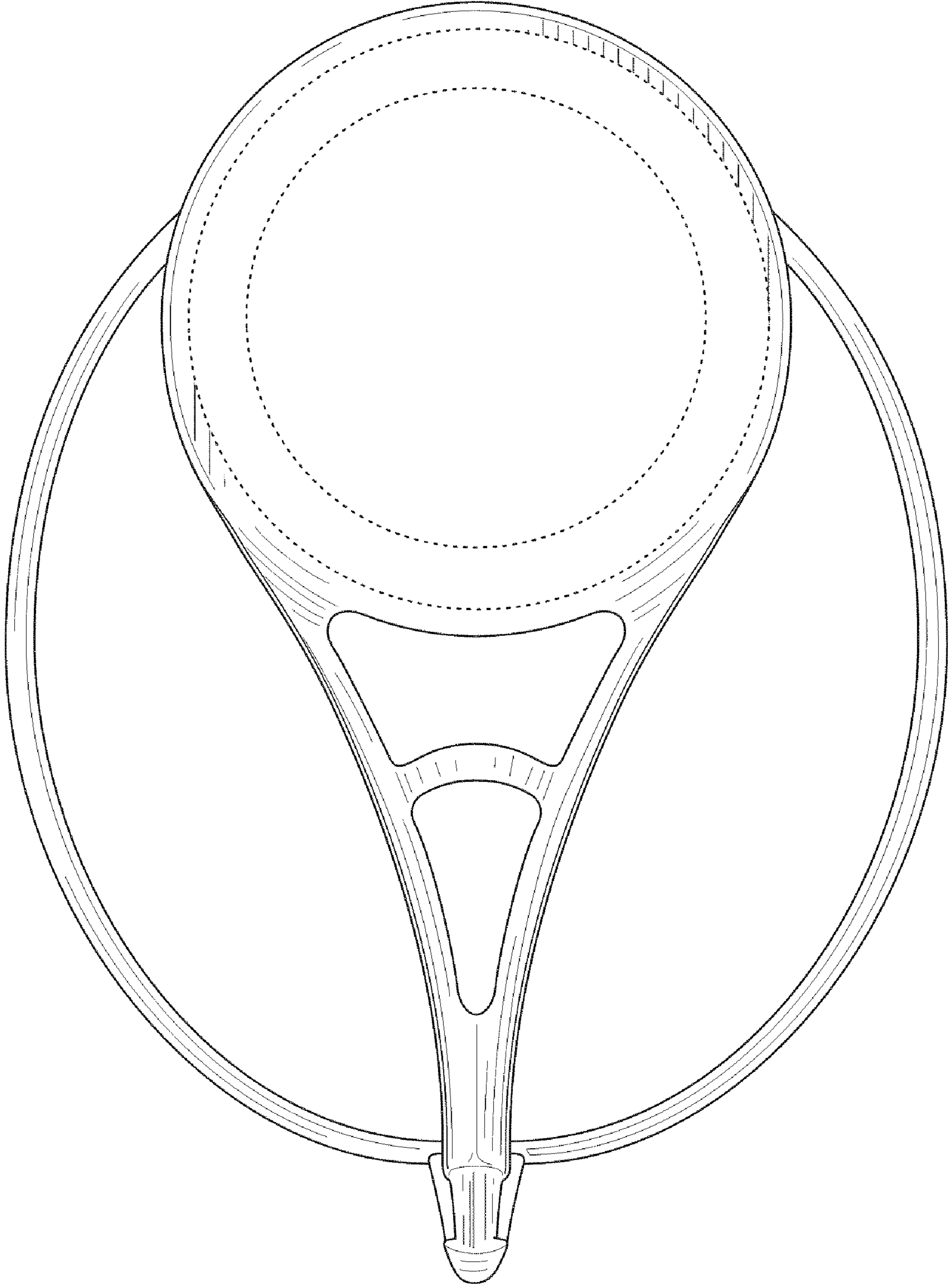
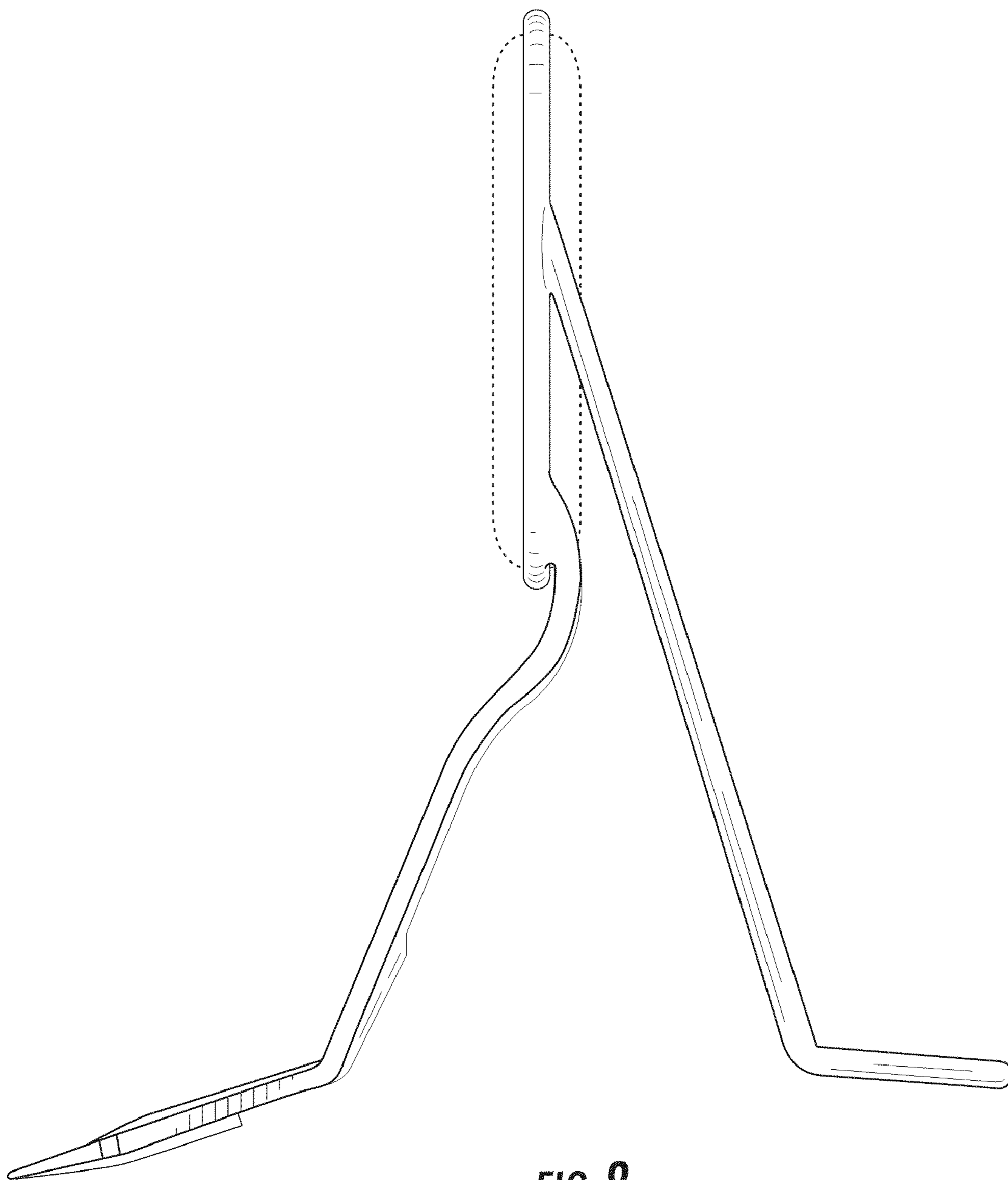


FIG. 6

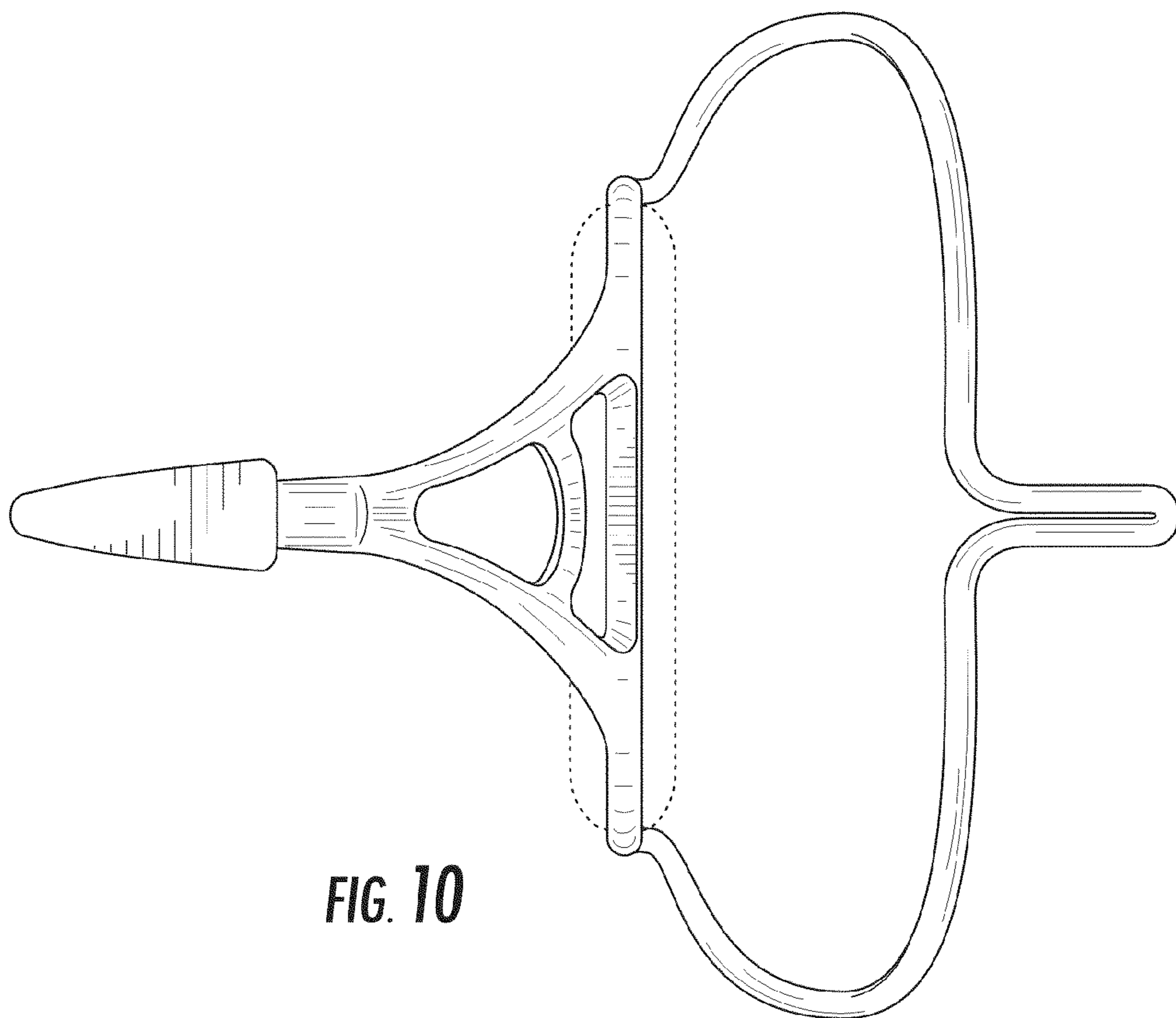
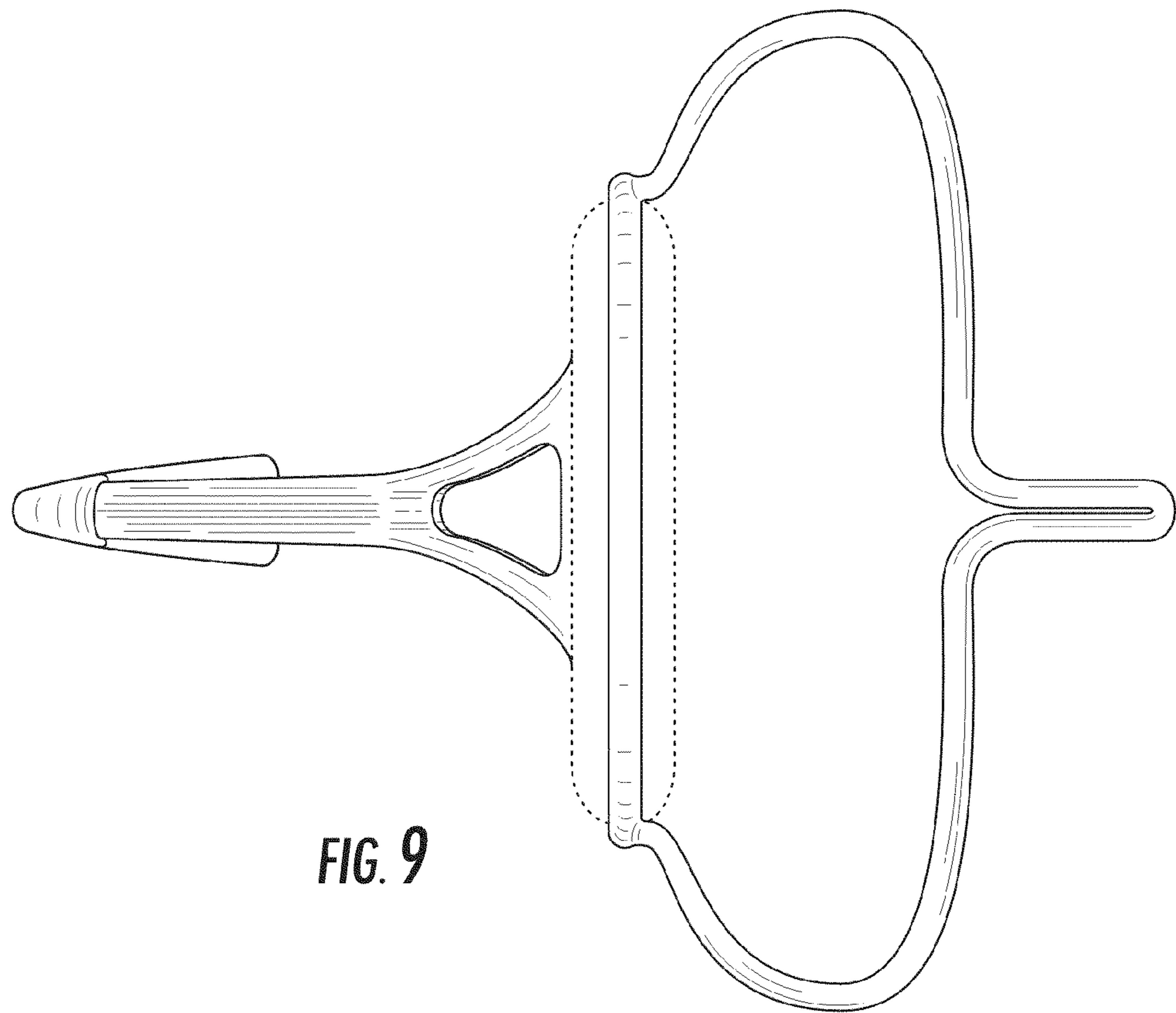


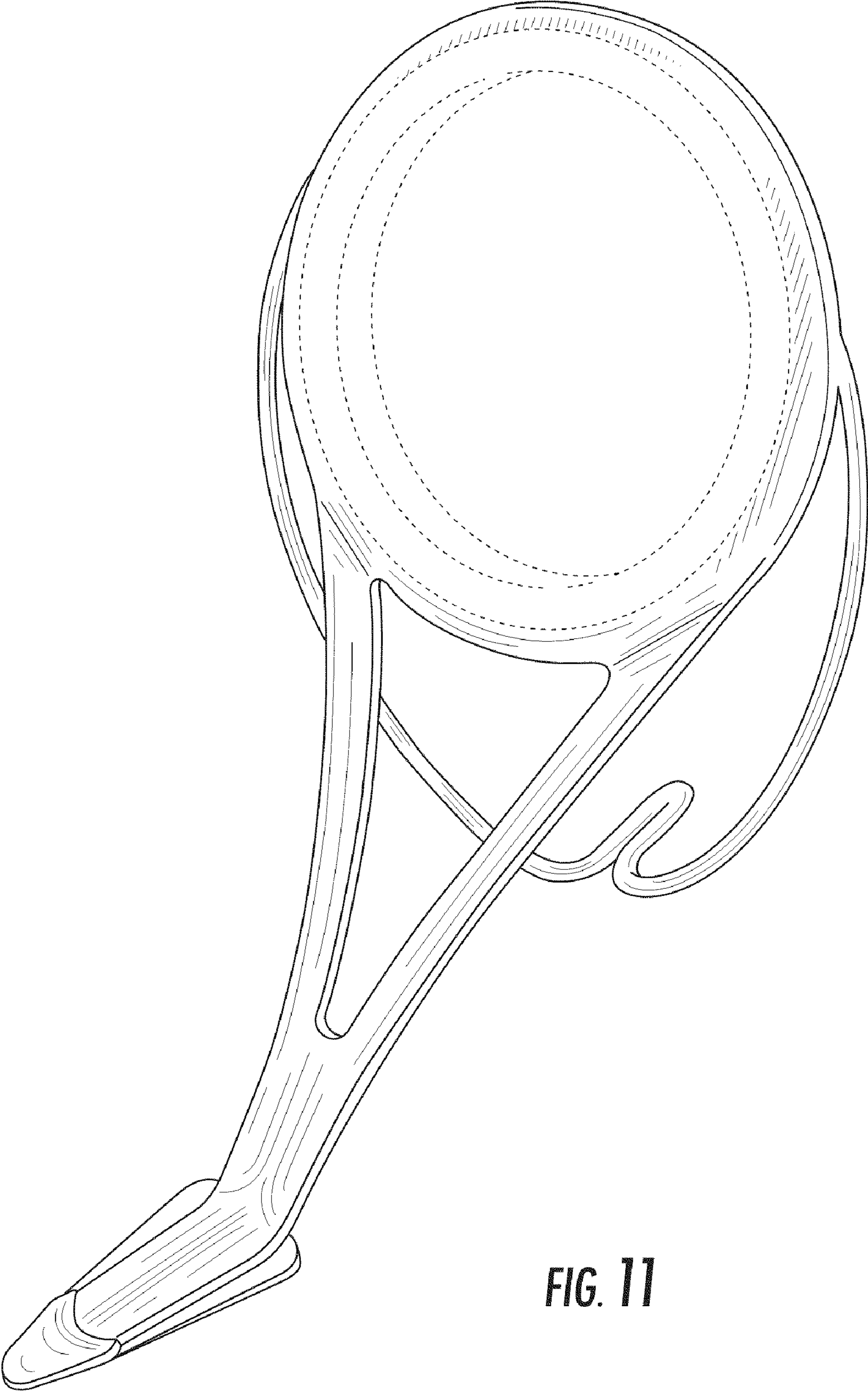
**FIG. 7**



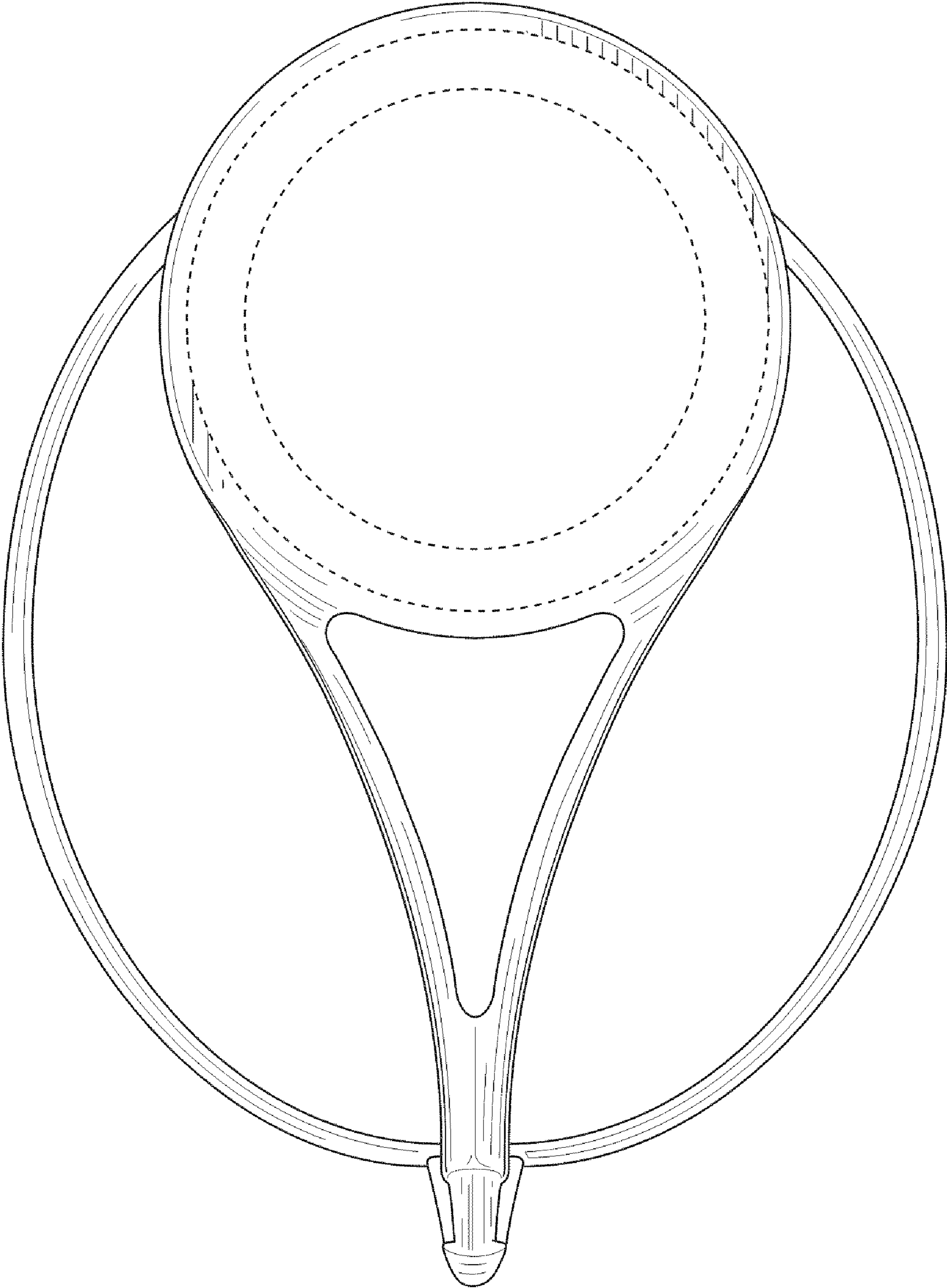
**FIG. 8**



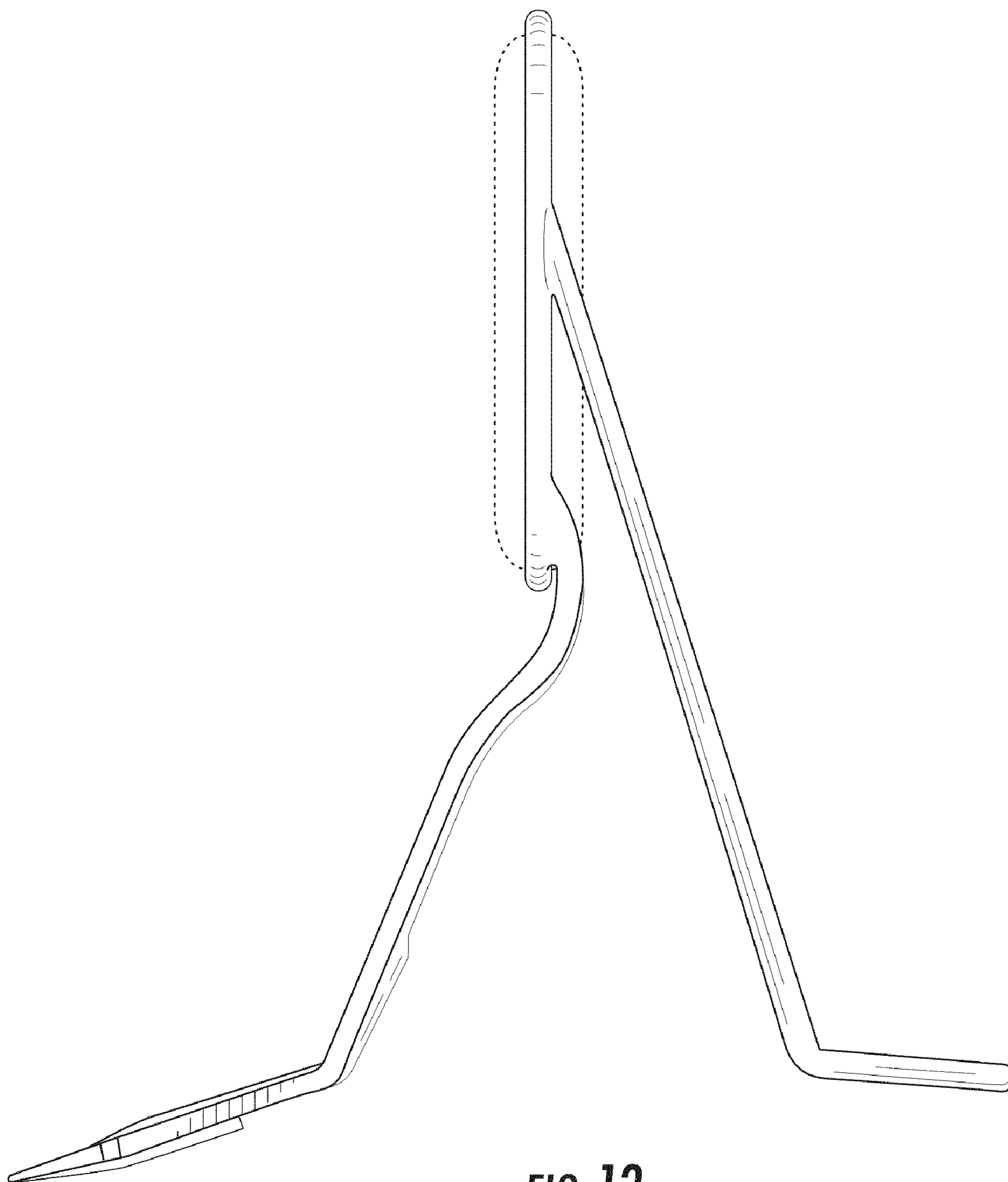




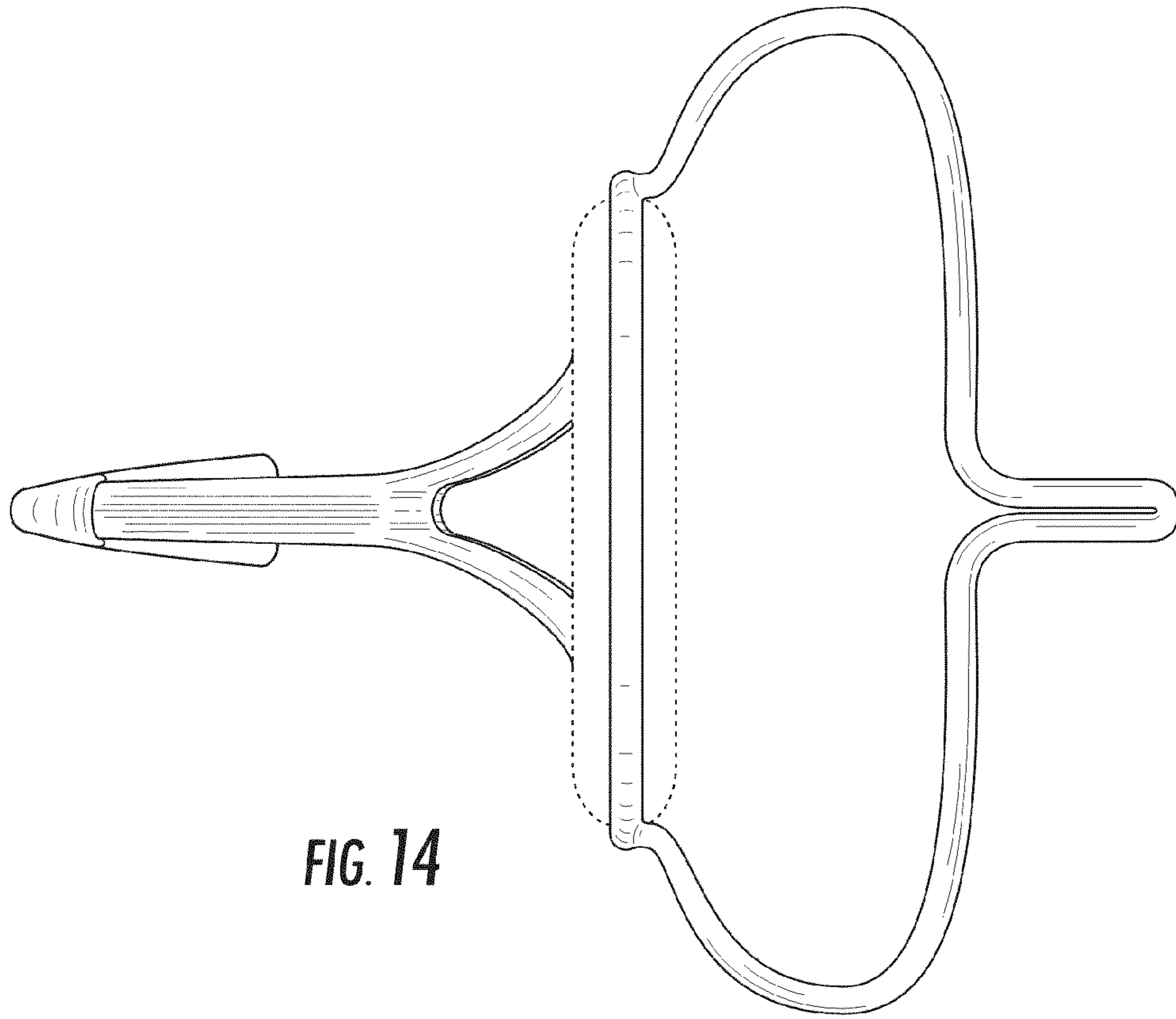
**FIG. 11**



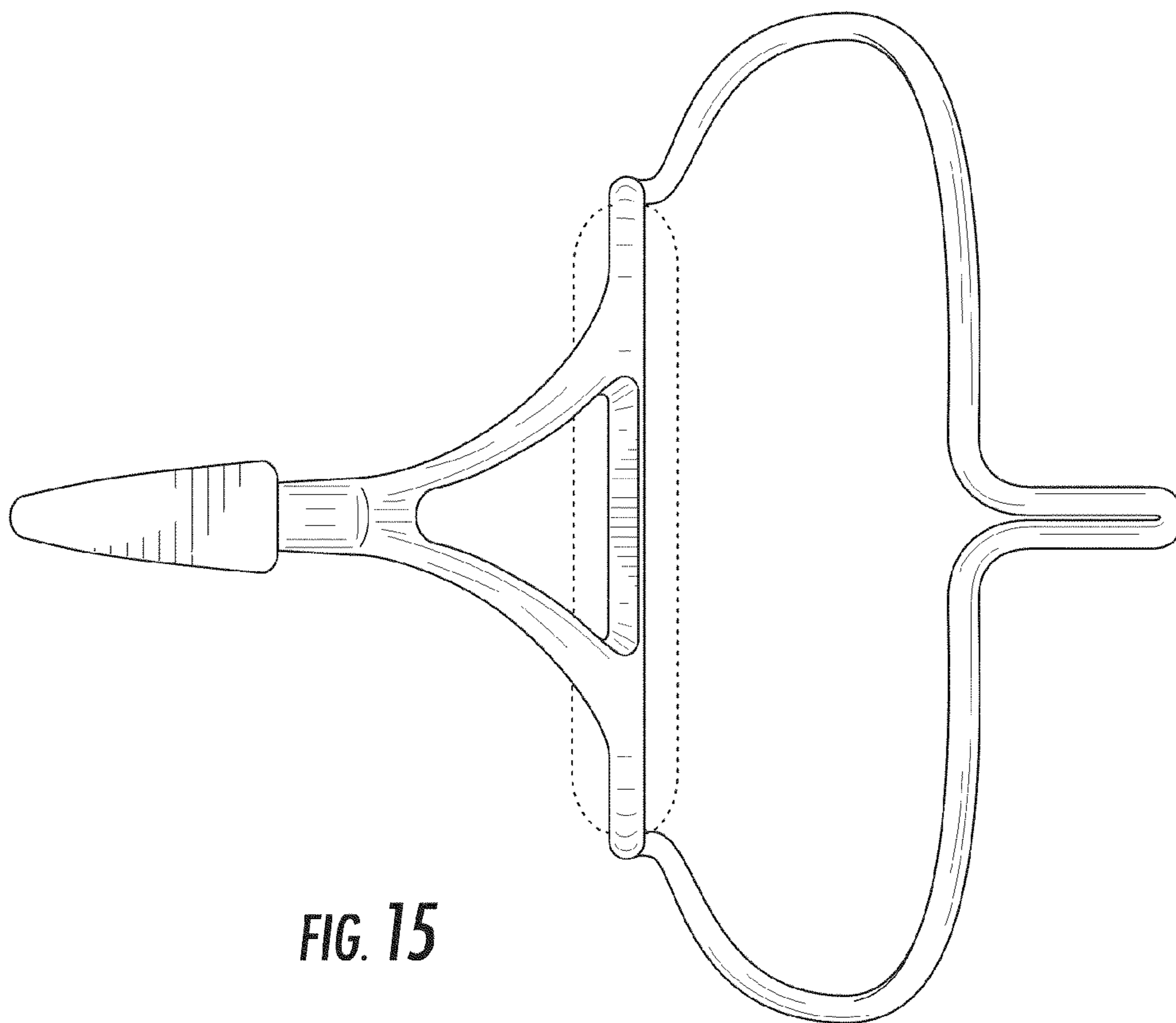
**FIG. 12**



**FIG. 13**



**FIG. 14**



**FIG. 15**



US00D627032C1

(12) **EX PARTE REEXAMINATION CERTIFICATE** (11374th)  
**United States Patent**  
**Gimbert**

(10) **Number:** **US D627,032 C1**  
(45) **Certificate Issued:** **Aug. 17, 2018**

- (54) **LINE GUIDE RING FRAME FOR FISHING RODS**
- (75) Inventor: **Scott W. Gimbert**, Chuluota, FL (US)
- (73) Assignee: **AMERICAN TACKLE COMPANY INTERNATIONAL, INC.**, Oviedo, FL (US)

- (51) **LOC (11) Cl.** ..... 22-05
- (52) **U.S. Cl.**  
USPC ..... D22/143
- (58) **Field of Classification Search**  
None  
See application file for complete search history.

**Reexamination Request:**  
No. 90/013,962, May 25, 2017

**Reexamination Certificate for:**  
Patent No.: **Des. 627,032**  
Issued: **Nov. 9, 2010**  
Appl. No.: **29/359,972**  
Filed: **Apr. 19, 2010**

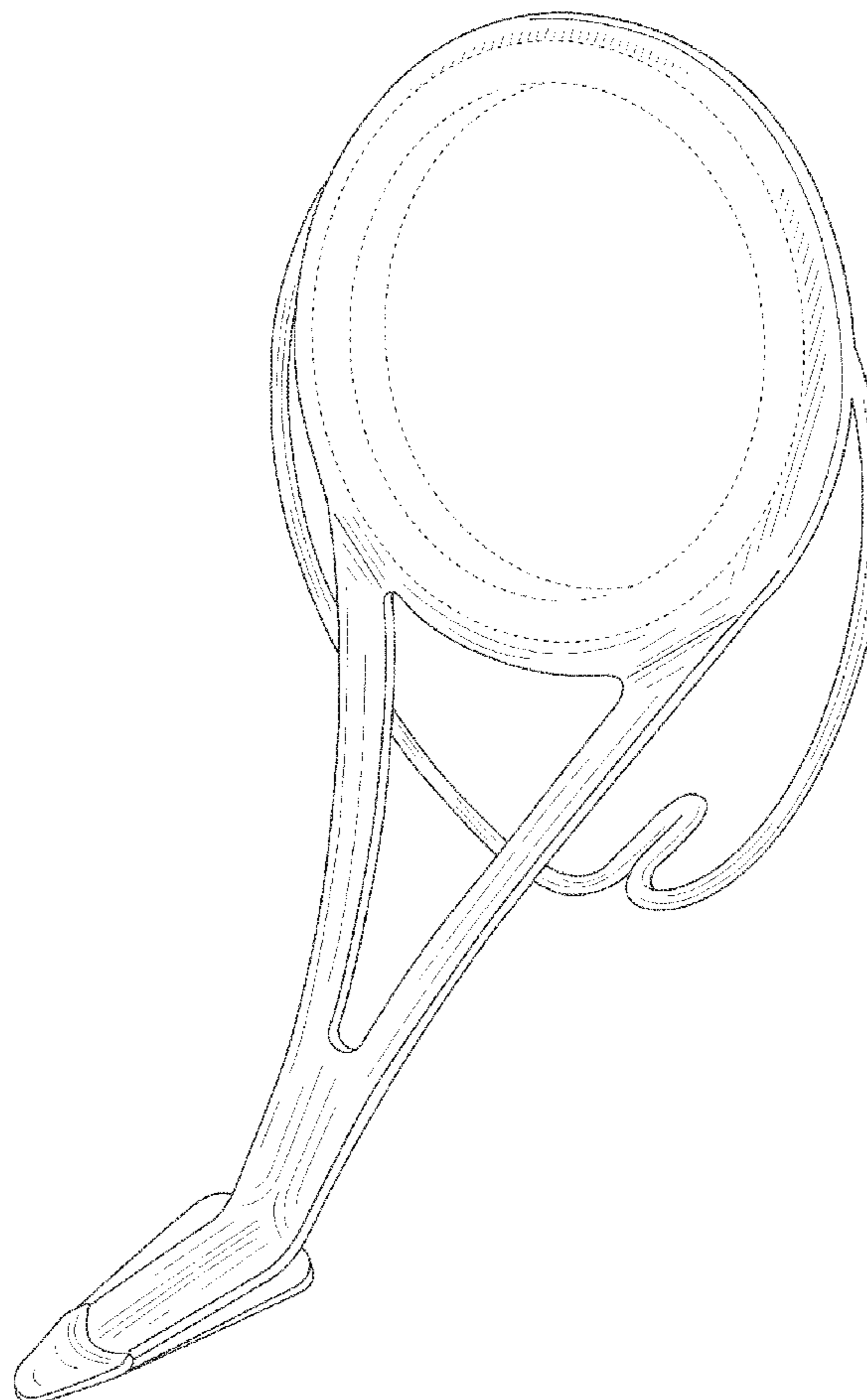
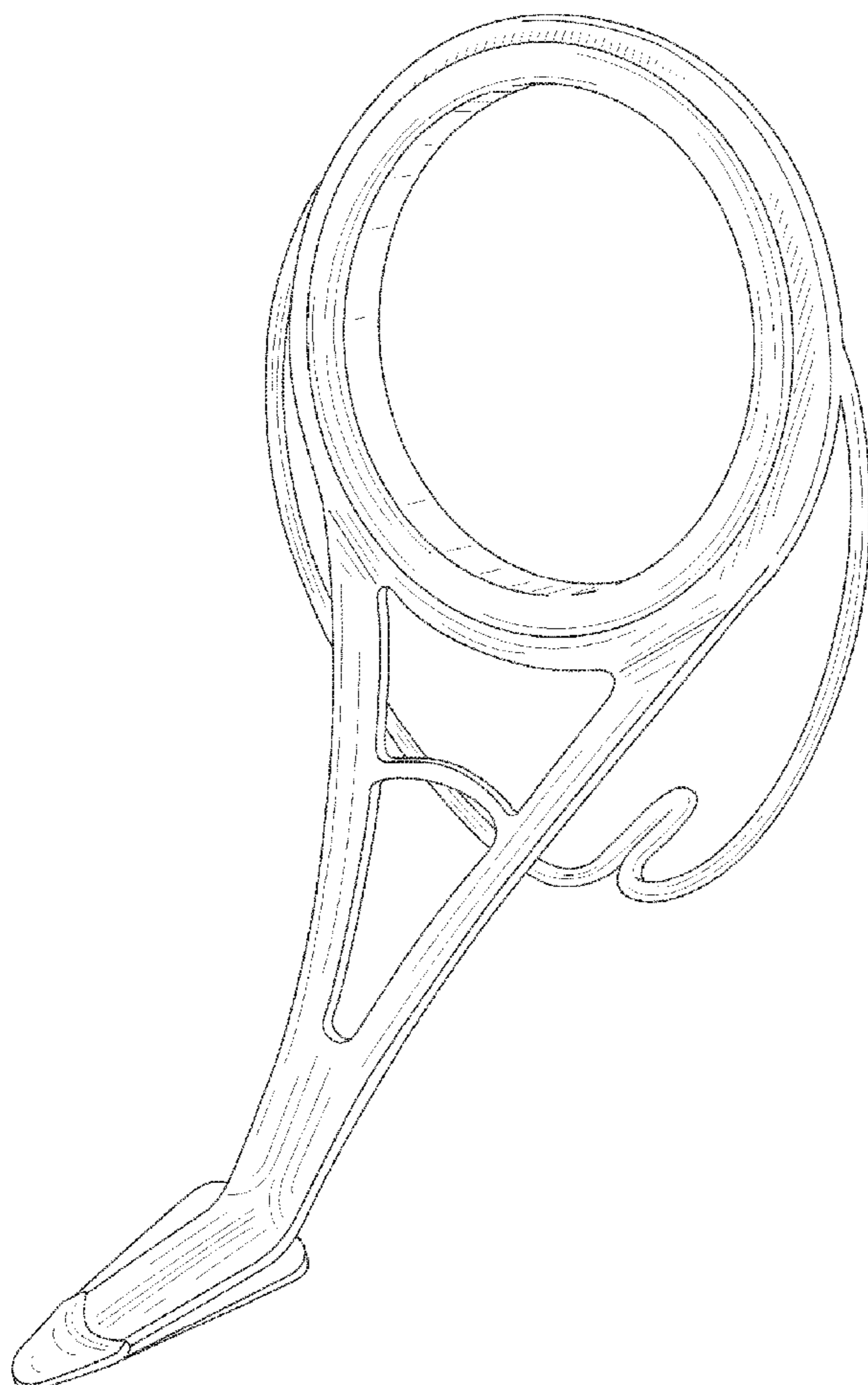
**Related U.S. Application Data**

- (63) Continuation of application No. 11/773,067, filed on Jul. 3, 2007, now abandoned.

(56) **References Cited**

To view the complete listing of prior art documents cited during the proceeding for Reexamination Control Number 90/013,962, please refer to the USPTO's public Patent Application Information Retrieval (PAIR) system under the Display References tab.

*Primary Examiner* — Philip S Hyder



**1**  
**EX PARTE**  
**REEXAMINATION CERTIFICATE**

NO AMENDMENTS HAVE BEEN MADE TO 5  
THE PATENT

AS A RESULT OF REEXAMINATION, IT HAS BEEN  
DETERMINED THAT:

The patentability of claim 1 is confirmed. 10

\* \* \* \* \*