



US00D627030S

(12) **United States Design Patent**
Sellers

(10) **Patent No.:** **US D627,030 S**

(45) **Date of Patent:** **** Nov. 9, 2010**

(54) **BEZEL**

(75) Inventor: **James J. Sellers**, Mansfield, TX (US)

(73) Assignee: **Sellmark Corporation**, Mansfield, TX (US)

(**) Term: **14 Years**

(21) Appl. No.: **29/316,227**

(22) Filed: **Sep. 3, 2009**

(51) **LOC (9) Cl.** **22-01**

(52) **U.S. Cl.** **D22/108**

(58) **Field of Classification Search** D22/100,
D22/108; D26/37, 46, 47, 48, 49; 362/157–158,
362/183, 184, 190, 194, 195, 196, 197, 192,
362/193, 200–208

See application file for complete search history.

(56) **References Cited**

U.S. PATENT DOCUMENTS

D314,057 S	1/1991	Naldi	
D368,785 S	4/1996	Nakao	
D554,281 S *	10/2007	Bushee et al.	D26/37
D570,511 S *	6/2008	Shiu	D26/49
D579,813 S	11/2008	Calvani	
D583,973 S *	12/2008	Shiu	D26/49
D585,577 S *	1/2009	Bonis	D26/49
D586,025 S *	2/2009	Bonis	D26/49
D595,439 S *	6/2009	Haight et al.	D26/49
D599,928 S *	9/2009	Shiu	D26/49
7,604,371 B2 *	10/2009	Bushee et al.	362/206

D608,481 S * 1/2010 Yang D26/49

* cited by examiner

Primary Examiner—T. Chase Nelson

Assistant Examiner—Michael A Pratt

(74) *Attorney, Agent, or Firm*—Law Office of William Gustavson, PC

(57) **CLAIM**

The ornamental design for a bezel, as shown and described.

DESCRIPTION

FIG. 1 is a perspective view of the bezel embodying my design, with the claimed design shown used on an optical instrument, such as a flashlight, laser or general man portable optical system such as a telescope for a firearm including hand held, rifle mounted or head mounted day or night systems, to show the environment of its use, the remainder of the optical instrument forming no part of the present invention;

FIG. 2 is a front view of the bezel;

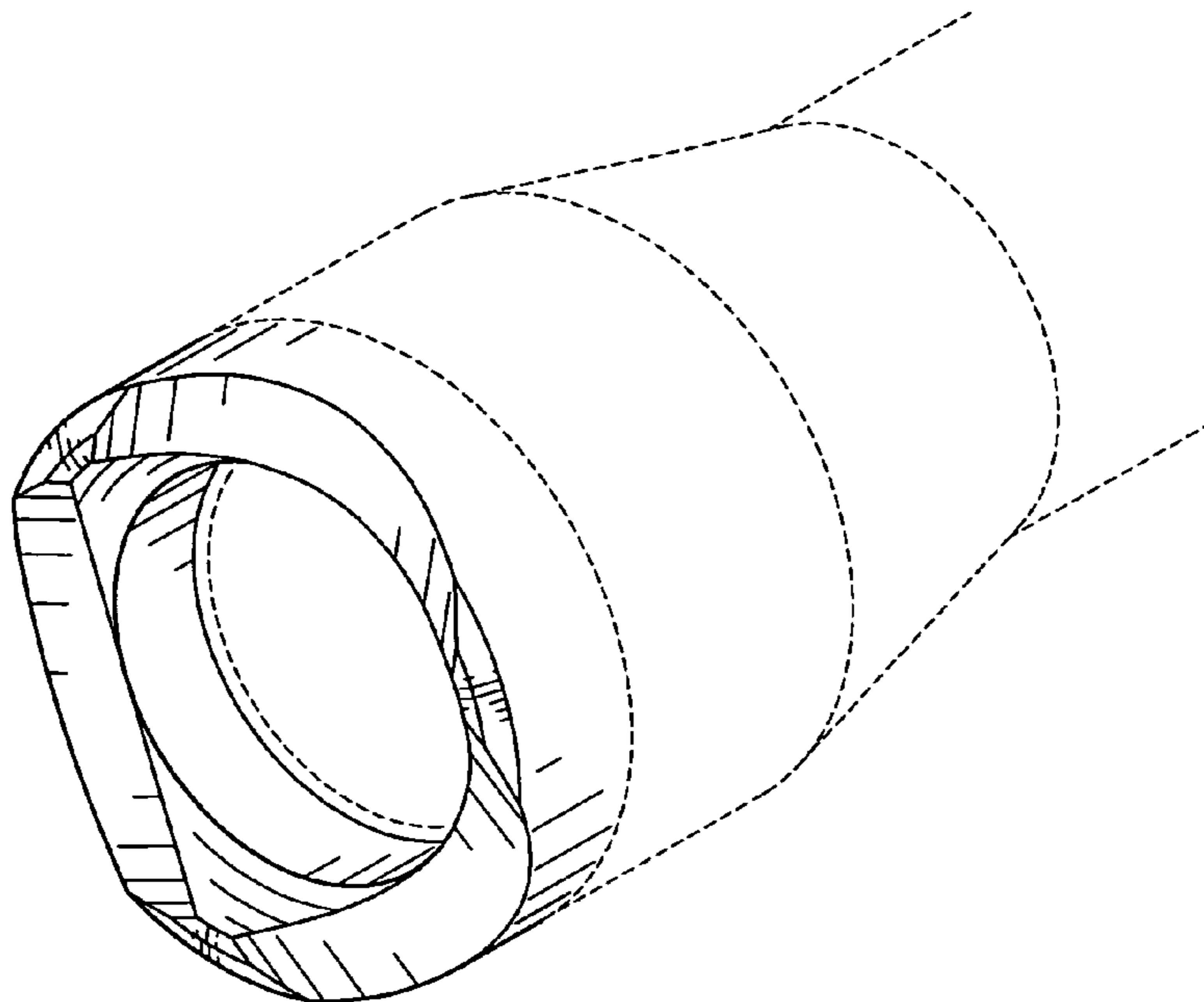
FIG. 3 is a left side view of the bezel, the right side view being a mirror image thereof;

FIG. 4 is a back view of the bezel; and,

FIG. 5 is a top view of the bezel; and the bottom of the bezel being integral with the optical instrument and therefore not being viewable.

The broken lines immediately adjacent the shaded areas in FIGS. 1-4 represent the bounds of the claimed design while all other broken lines are directed to environmental structure and are for illustrative purposes only; the broken lines form no part of the claimed design.

1 Claim, 2 Drawing Sheets



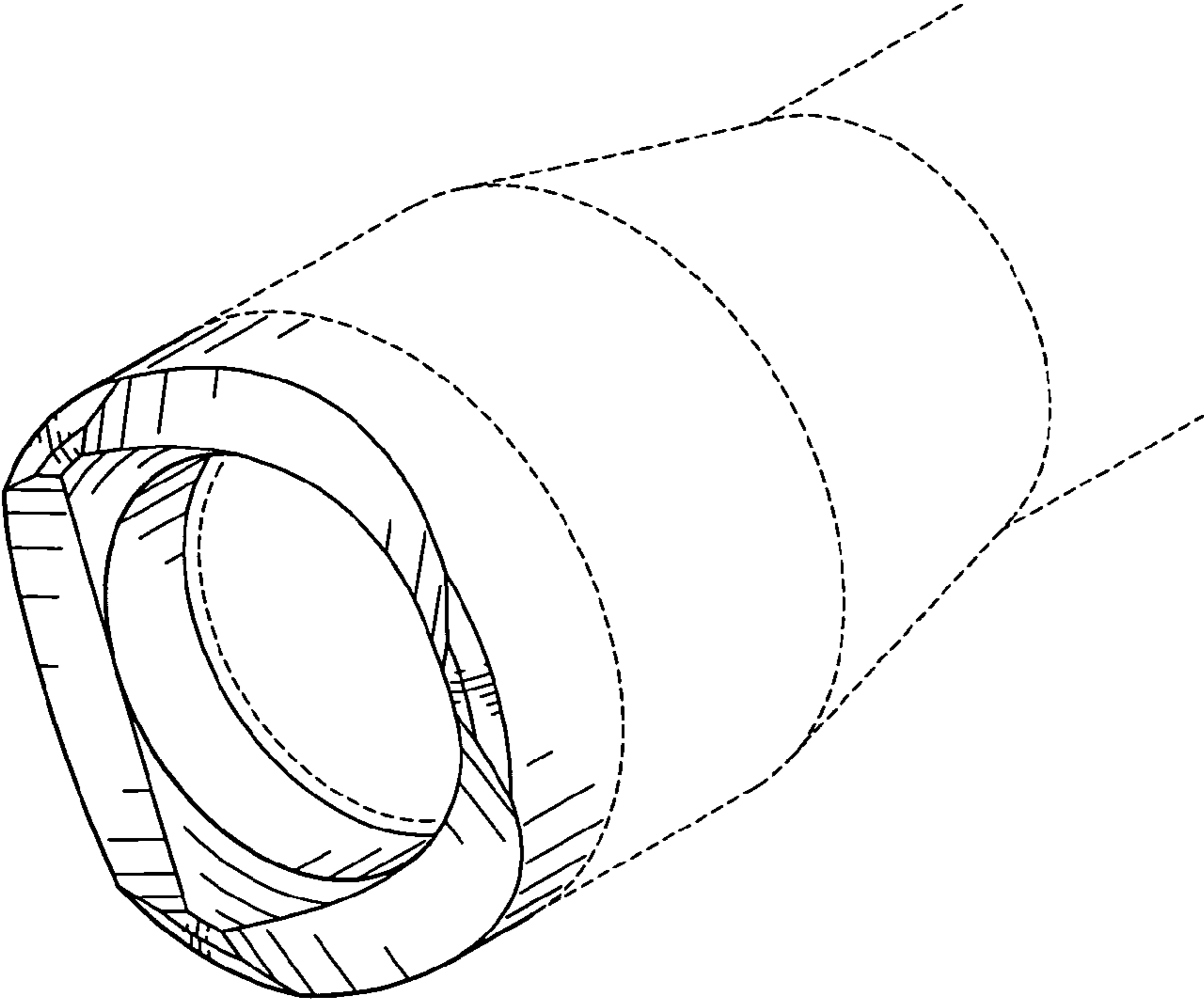


FIG. 1

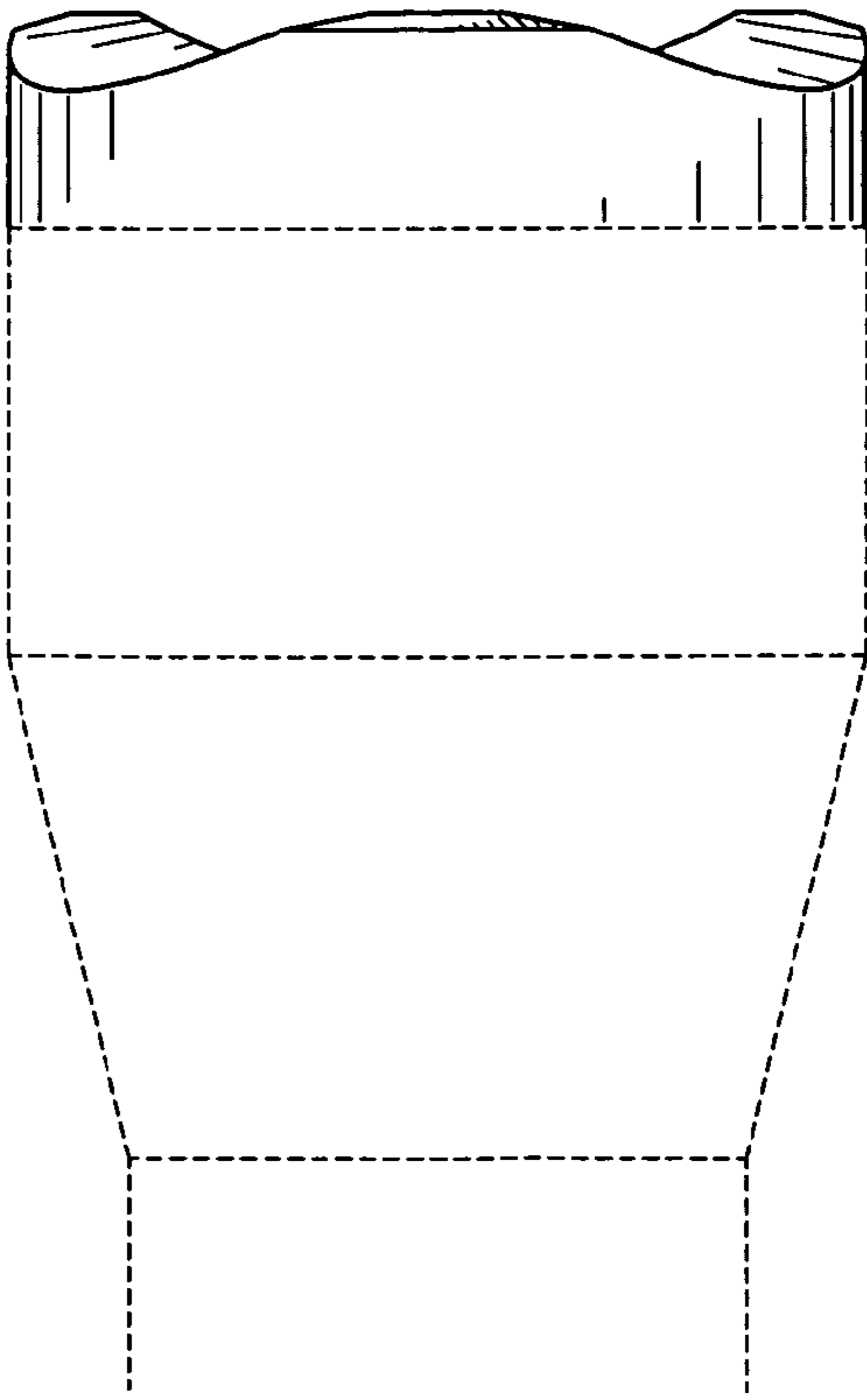


FIG. 2

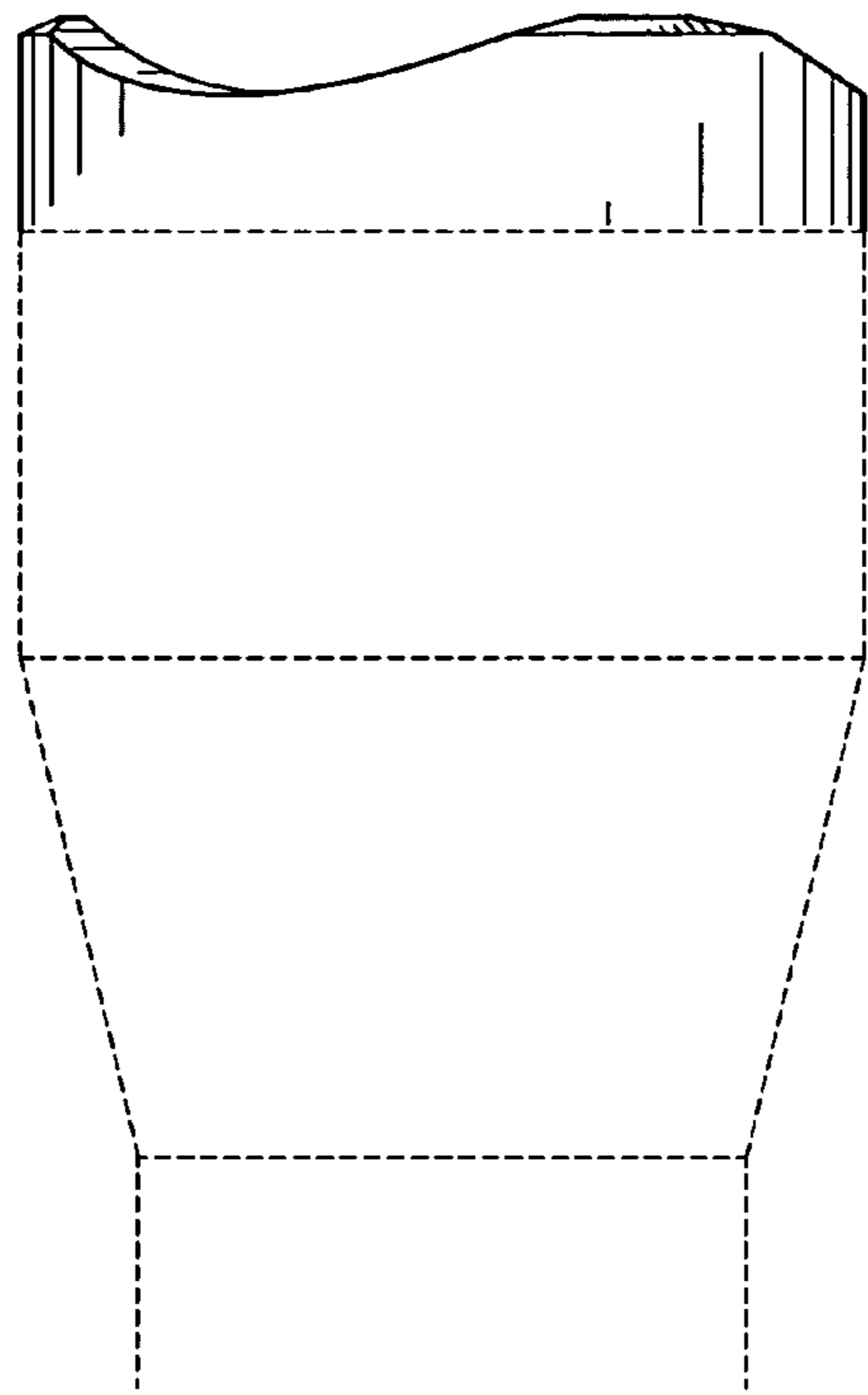


FIG. 3

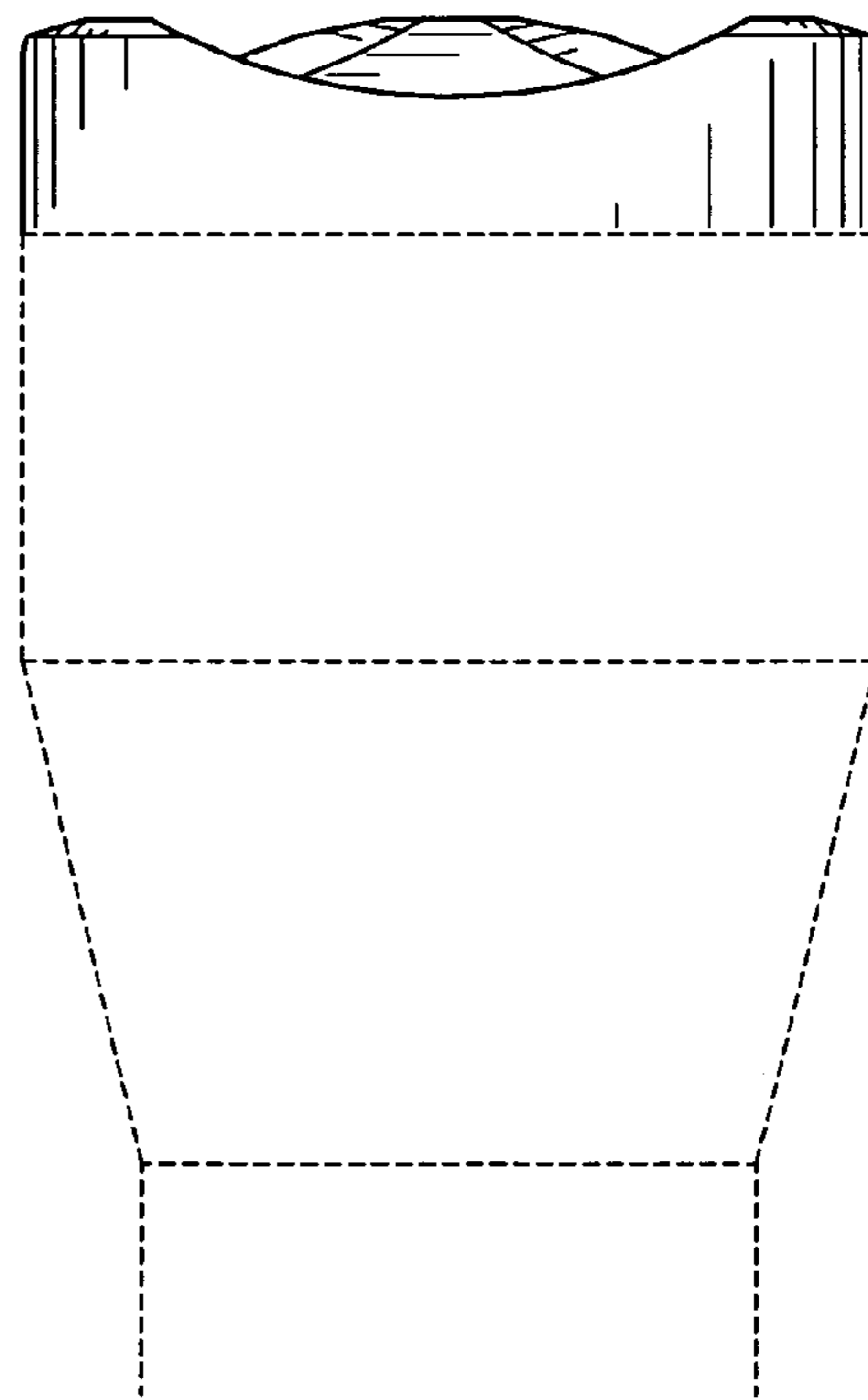


FIG. 4

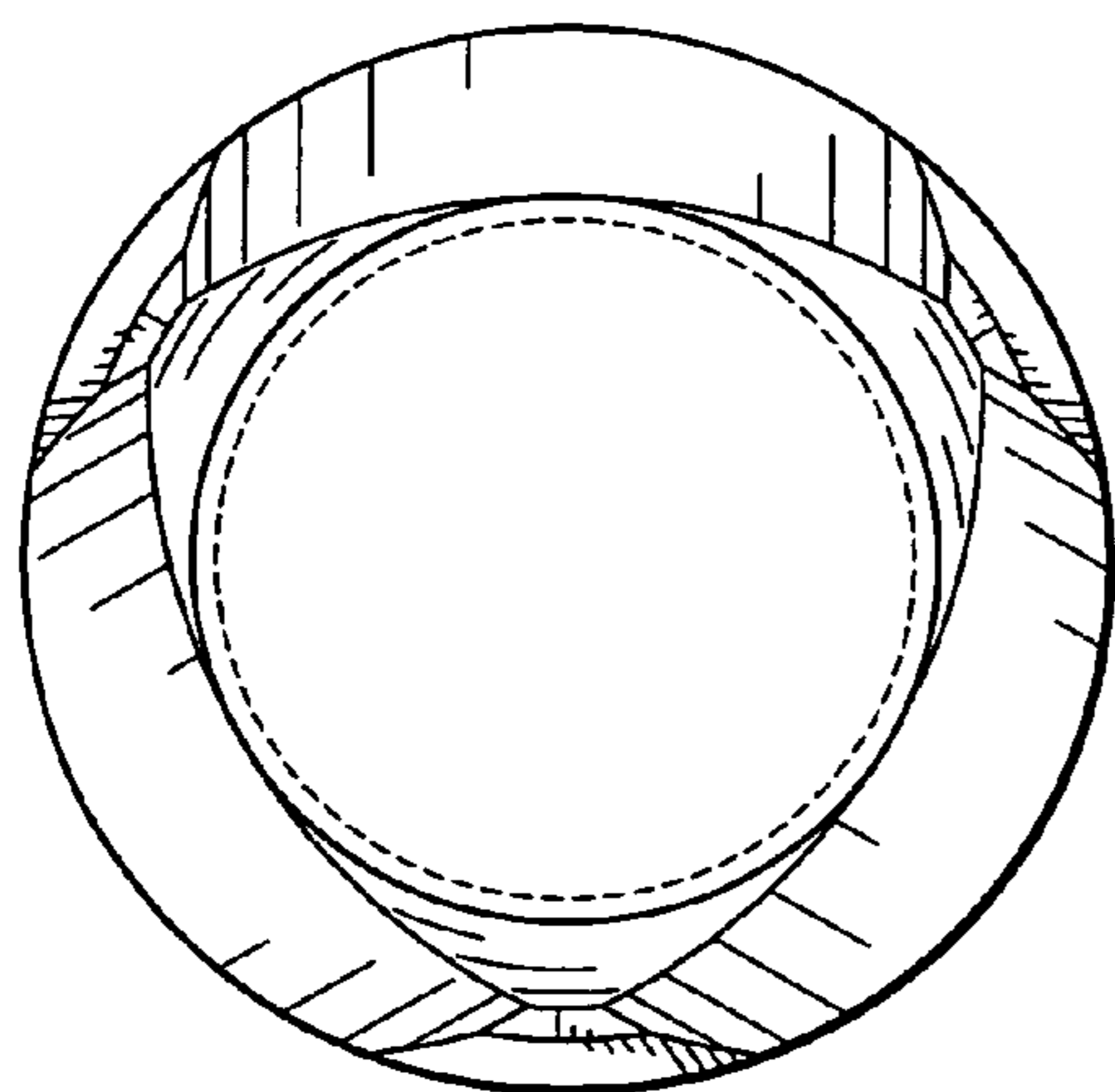


FIG. 5