



US00D627020S

(12) **United States Design Patent**  
**Martin**

(10) **Patent No.:** **US D627,020 S**

(45) **Date of Patent:** **\*\* Nov. 9, 2010**

(54) **TABLE TENNIS BALL**

(75) Inventor: **Nick Martin**, Newburgh, IN (US)

(73) Assignee: **Indian Industries, Inc.**, Evansville, IN (US)

(\*\*) Term: **14 Years**

(21) Appl. No.: **29/362,404**

(22) Filed: **May 25, 2010**

(51) **LOC (9) Cl.** ..... **21-02**

(52) **U.S. Cl.** ..... **D21/713**

(58) **Field of Classification Search** ..... D21/707-714;  
D11/121, 130; D30/160; 473/52, 53, 413,  
473/569-614, 351-385, 200, 251, 280, 281;  
40/327; 428/7, 11, 28; 446/219-226, 267,  
446/400, 409, 431, 438, 439, 458, 459, 486;  
119/707-711; 273/288-291, 146, 147, 156,  
273/157 R, 160, 153 S, DIG. 20

See application file for complete search history.

(56) **References Cited**

**U.S. PATENT DOCUMENTS**

54,848 A \* 5/1866 Bradley ..... 473/411  
D20,187 S \* 10/1890 Herrick ..... D21/466  
2,621,334 A \* 12/1952 O'Hare ..... 2/209.11  
3,318,598 A \* 5/1967 Ruskin ..... 473/55

3,829,348 A \* 8/1974 Spiegel et al. .... 428/11  
D544,930 S \* 6/2007 Farrell ..... D21/713  
2004/0220001 A1 \* 11/2004 Oister et al. .... 473/570

**FOREIGN PATENT DOCUMENTS**

CN 300788288 \* 6/2008  
CN 300897422 \* 3/2009  
GB D. 2043359 \* 1/1996

\* cited by examiner

*Primary Examiner*—Catherine Tuttle

(74) *Attorney, Agent, or Firm*—Woodard, Emhardt, Moriarty,  
McNett & Henry LLP

(57) **CLAIM**

The ornamental design for a table tennis ball, as shown and described.

**DESCRIPTION**

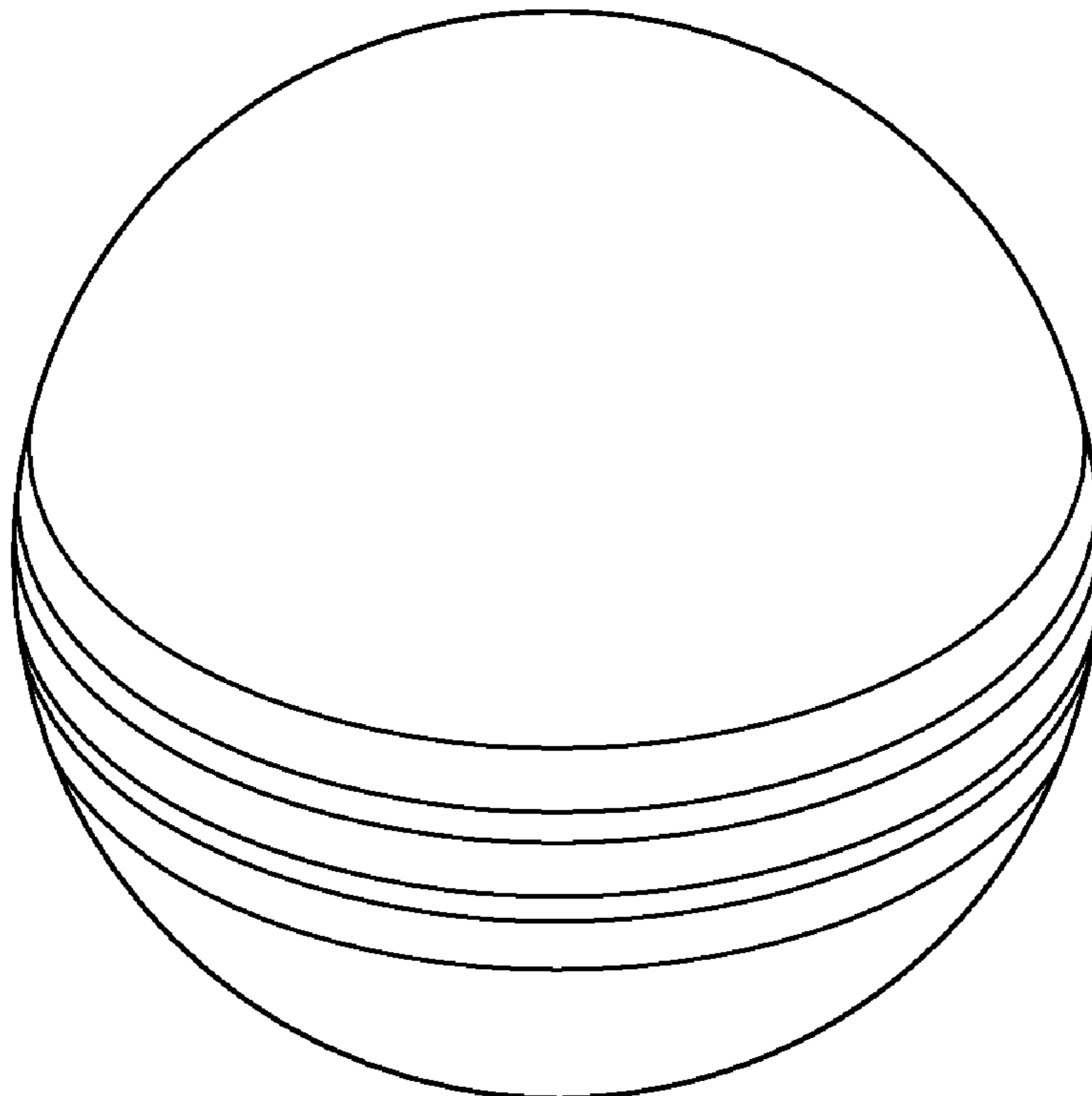
FIG. 1 is a perspective view of a table tennis ball showing my new design;

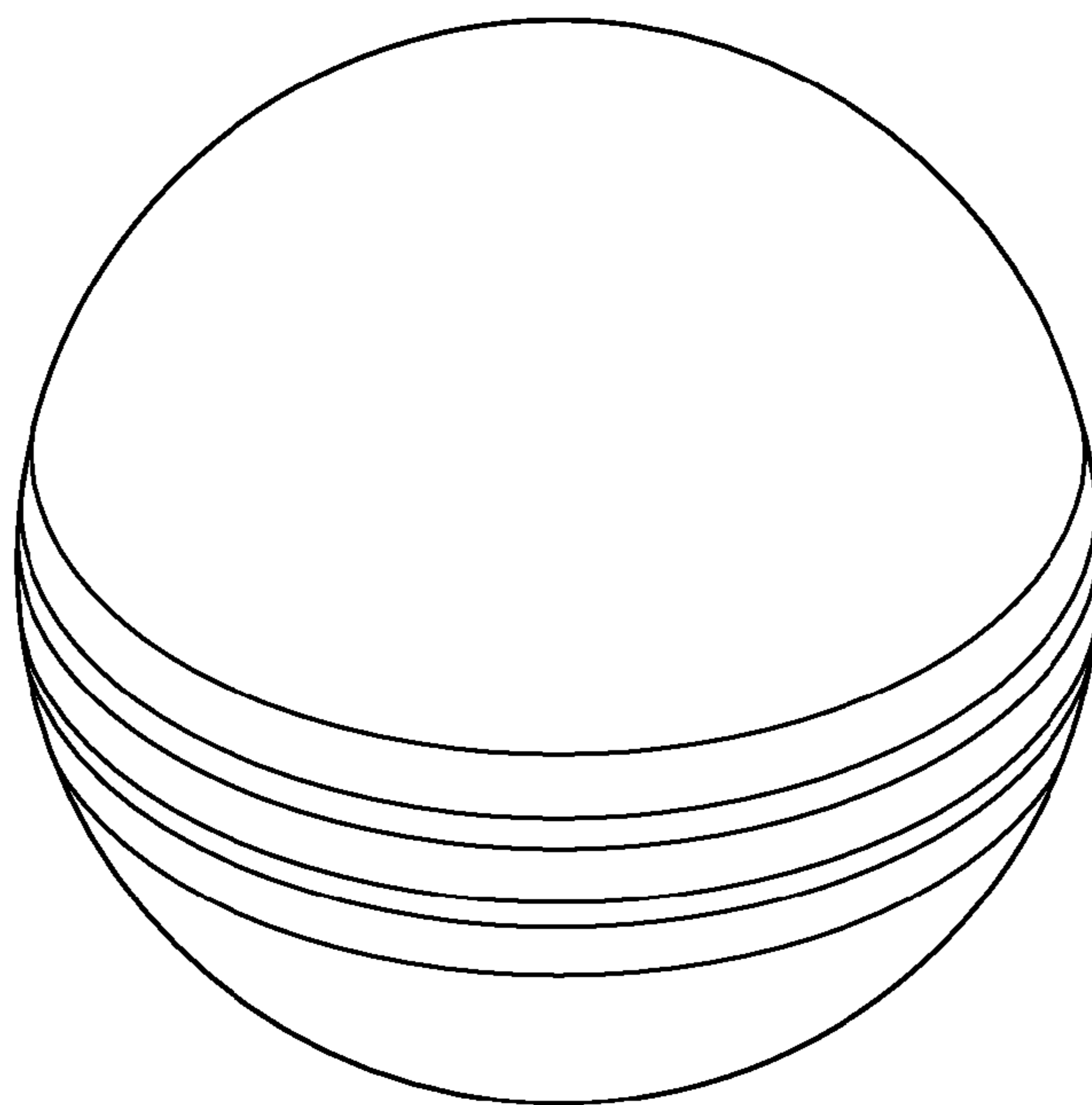
FIG. 2 is a front view thereof, the rear view being the same;

FIG. 3 is a right side view thereof, the left side view being the same; and,

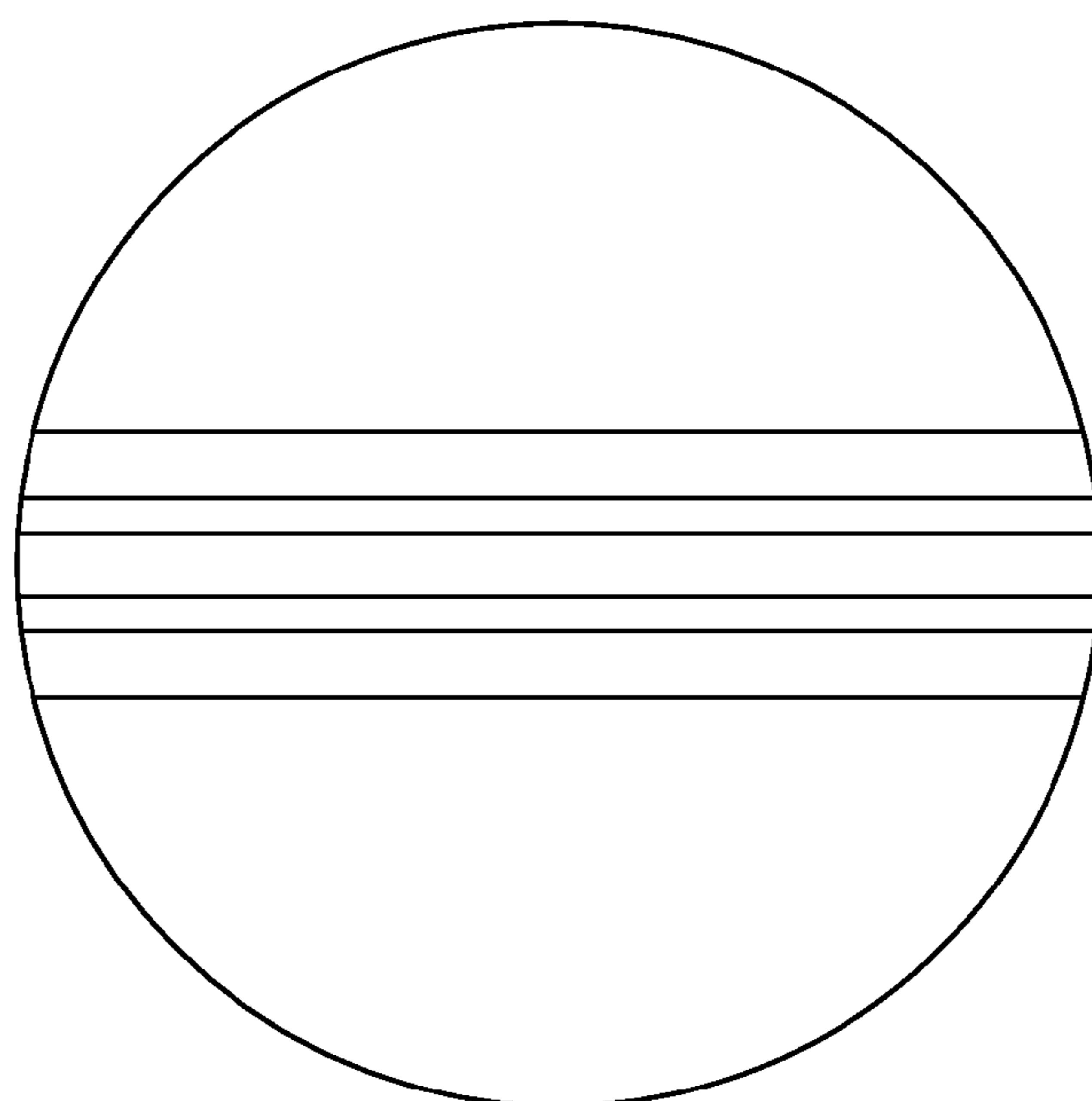
FIG. 4 is a top plan view thereof, the bottom plan view being the same.

**1 Claim, 2 Drawing Sheets**

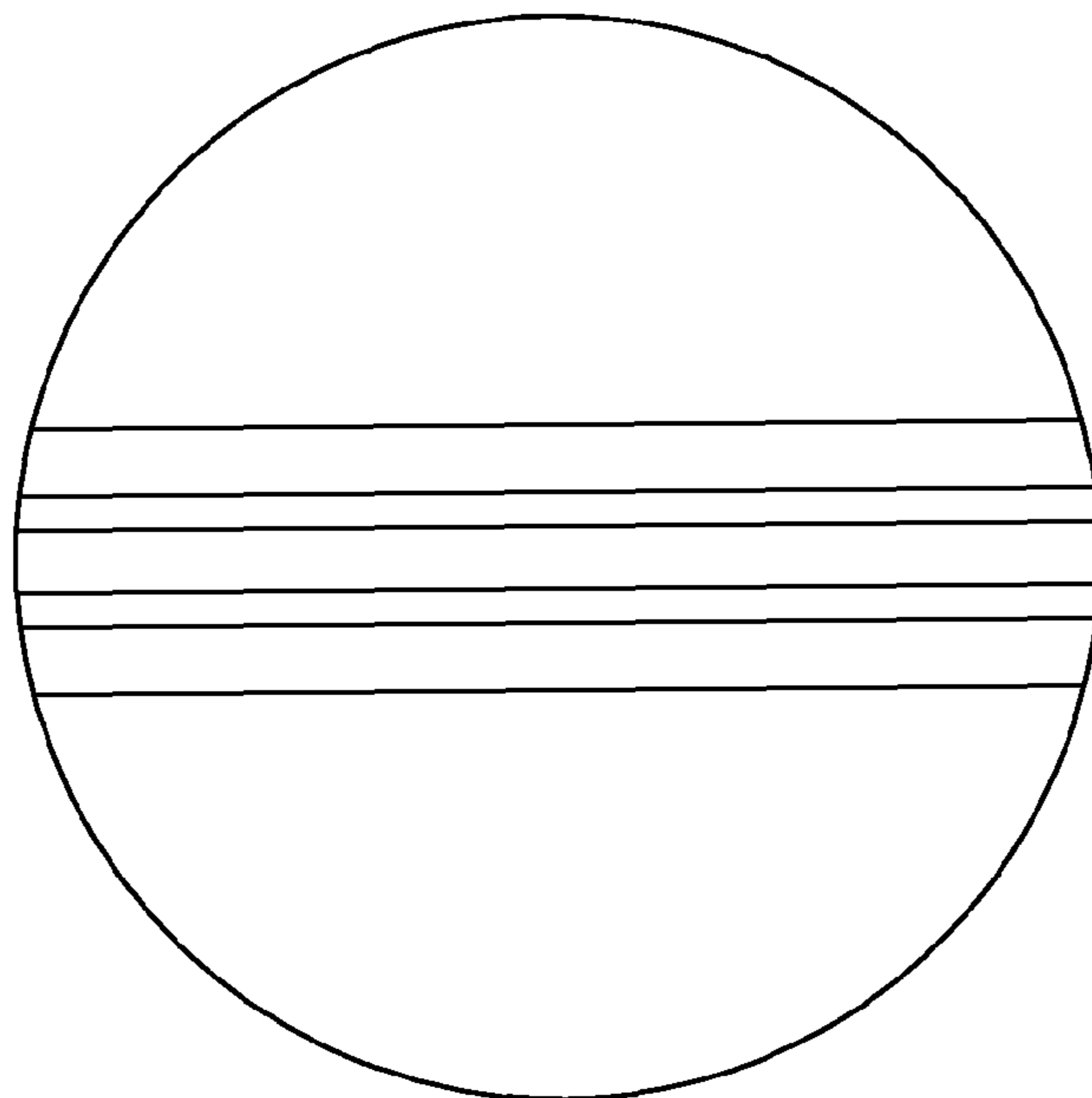




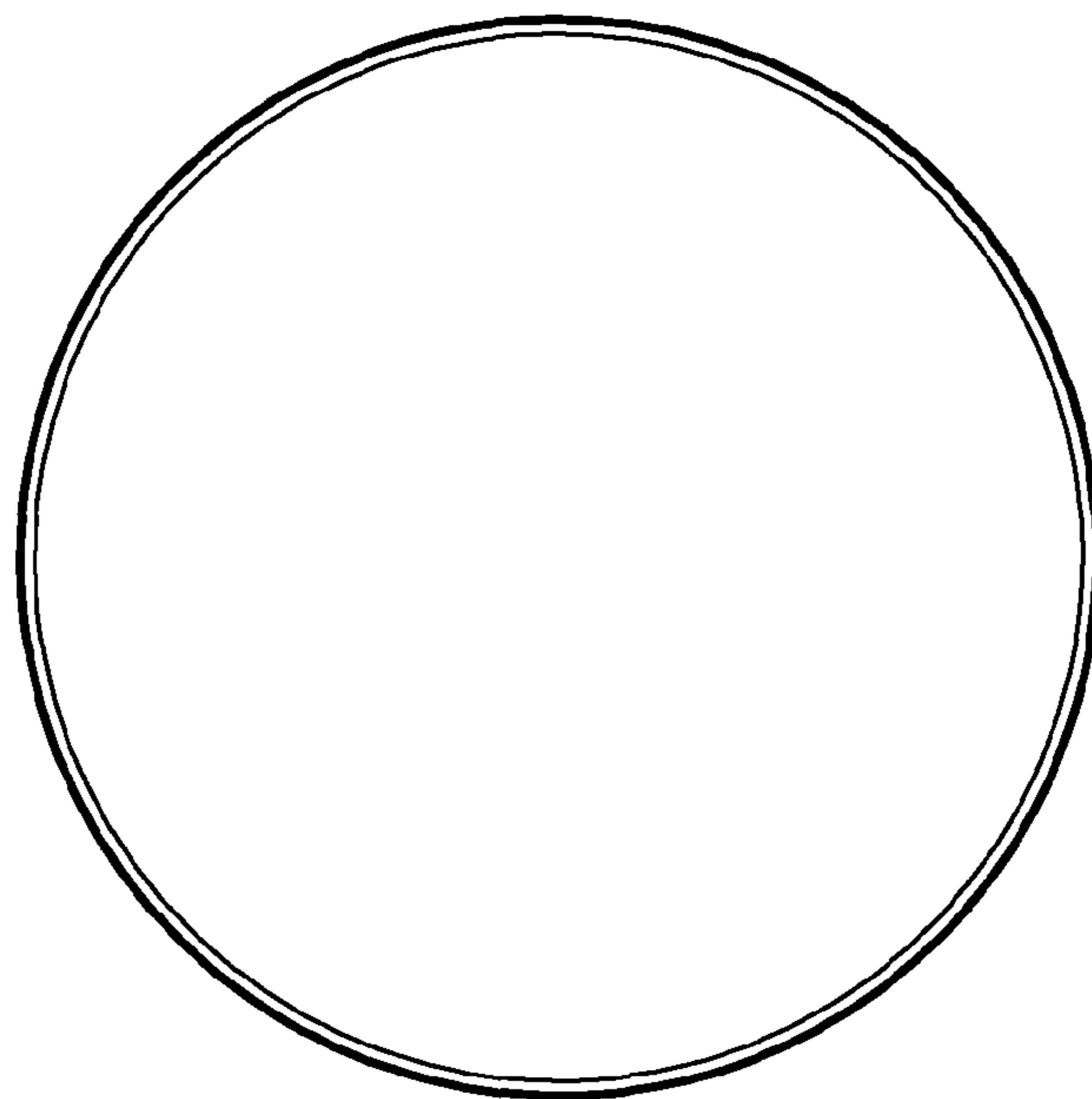
***Fig. 1***



***Fig. 2***



***Fig. 3***



***Fig. 4***