



US00D627018S

(12) **United States Design Patent**  
**Martin**

(10) **Patent No.:** **US D627,018 S**

(45) **Date of Patent:** **\*\* Nov. 9, 2010**

(54) **TABLE TENNIS BALL**

(75) Inventor: **Nick Martin**, Newburgh, IN (US)

(73) Assignee: **Indian Industries, Inc.**, Evansville, IN (US)

(\*\*) Term: **14 Years**

(21) Appl. No.: **29/362,395**

(22) Filed: **May 25, 2010**

(51) **LOC (9) Cl.** ..... **21-02**

(52) **U.S. Cl.** ..... **D21/713**

(58) **Field of Classification Search** ..... D21/707-714;  
D11/121, 130; D30/160; 473/52, 53, 413,  
473/569-614, 351-385, 200, 251, 280, 281;  
40/327; 428/7, 11, 28; 446/219-226, 267,  
446/400, 409, 431, 438, 439, 458, 459, 486;  
119/707-711; 273/288-291, 146, 147, 156,  
273/157 R, 160, 153 S, DIG. 20

See application file for complete search history.

(56) **References Cited**

**U.S. PATENT DOCUMENTS**

280,807 A \* 7/1883 Farley ..... 473/410  
1,779,187 A \* 10/1930 Pearson ..... 273/118 R  
2,277,057 A \* 3/1942 Bach ..... 473/570  
4,284,276 A \* 8/1981 Worst ..... 473/383  
4,345,759 A \* 8/1982 Nims ..... 473/569

5,492,335 A \* 2/1996 Videnov ..... 473/576  
D474,518 S \* 5/2003 Westlund ..... D21/713  
D511,191 S \* 11/2005 Fryer ..... D21/713  
D531,240 S \* 10/2006 Geisendorfer ..... D21/713  
2003/0181266 A1 \* 9/2003 Sowders ..... 473/447  
2005/0064966 A1 \* 3/2005 Menow ..... 473/569

**OTHER PUBLICATIONS**

Sportime® Fall 2003 Catalog, p. 373: striped billiard balls on lower right.\*

\* cited by examiner

*Primary Examiner*—Catherine Tuttle

(74) *Attorney, Agent, or Firm*—Woodard, Emhardt, Moriarty, McNett & Henry LLP

(57) **CLAIM**

The ornamental design for a table tennis ball, as shown and described.

**DESCRIPTION**

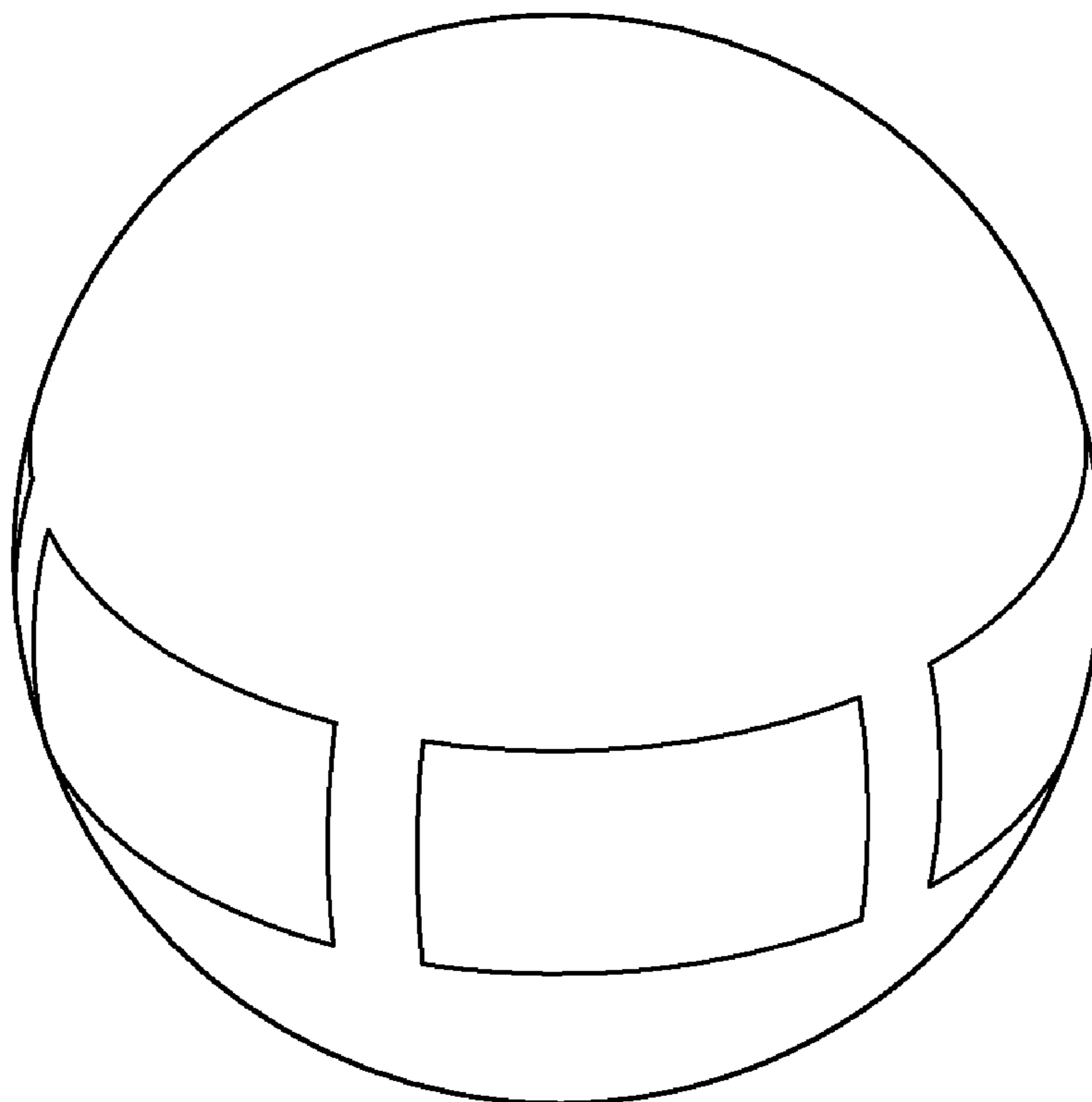
FIG. 1 is a perspective view of the table tennis ball showing my new design;

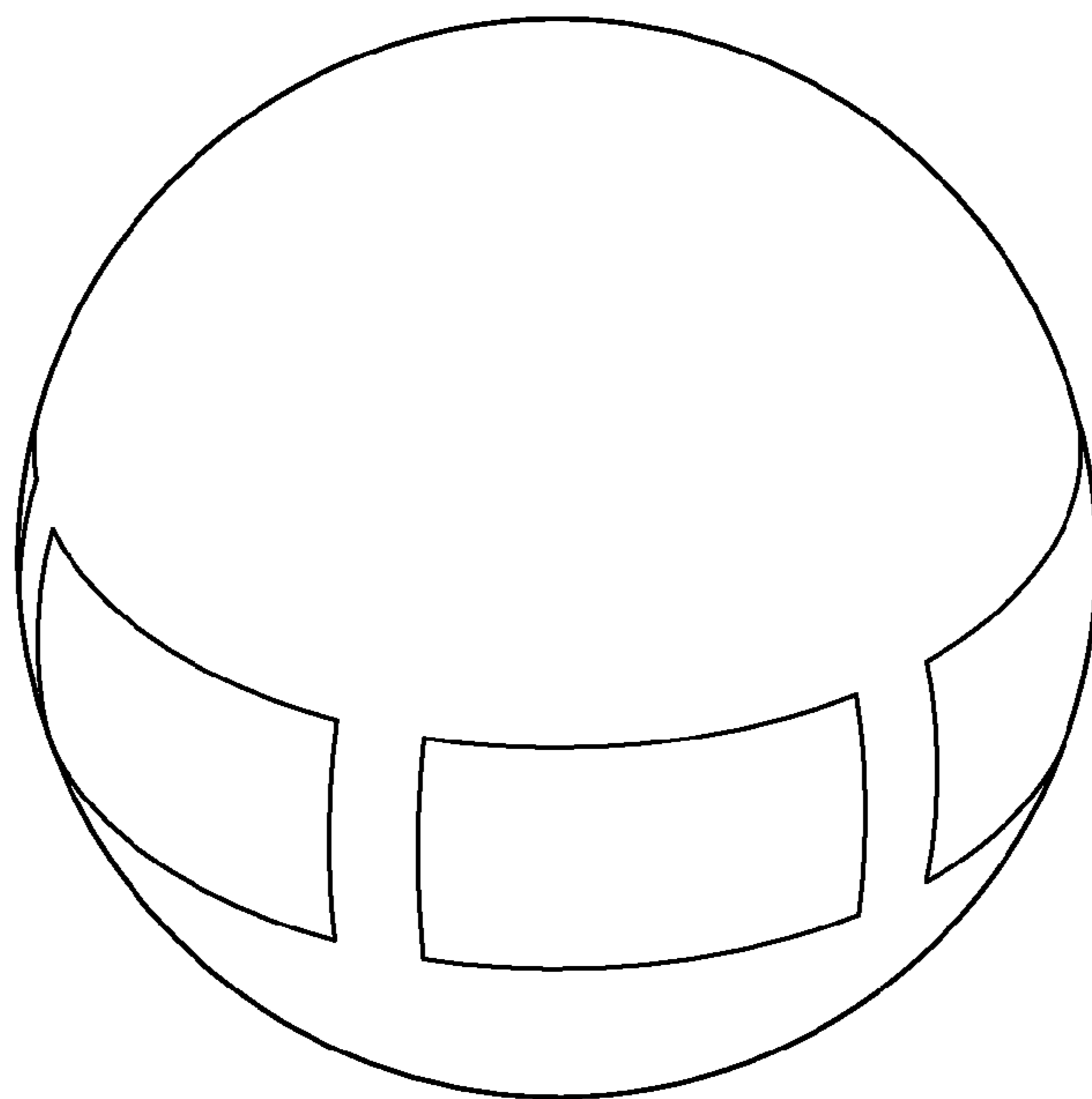
FIG. 2 is a front view thereof, the rear view being the same;

FIG. 3 is a right side view thereof, the left side view being the same; and,

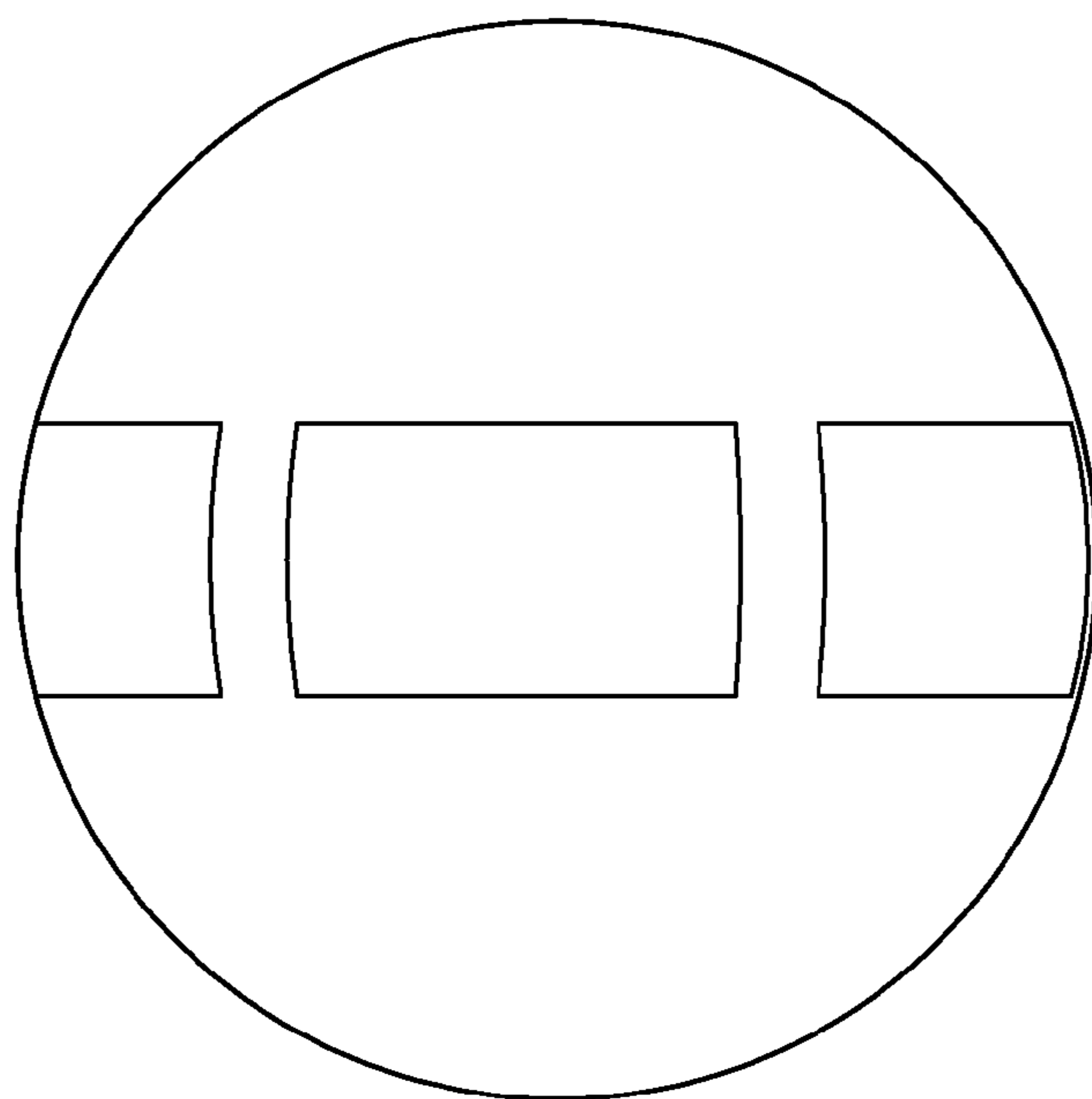
FIG. 4 is a top plan view thereof, the bottom plan view being the same.

**1 Claim, 2 Drawing Sheets**

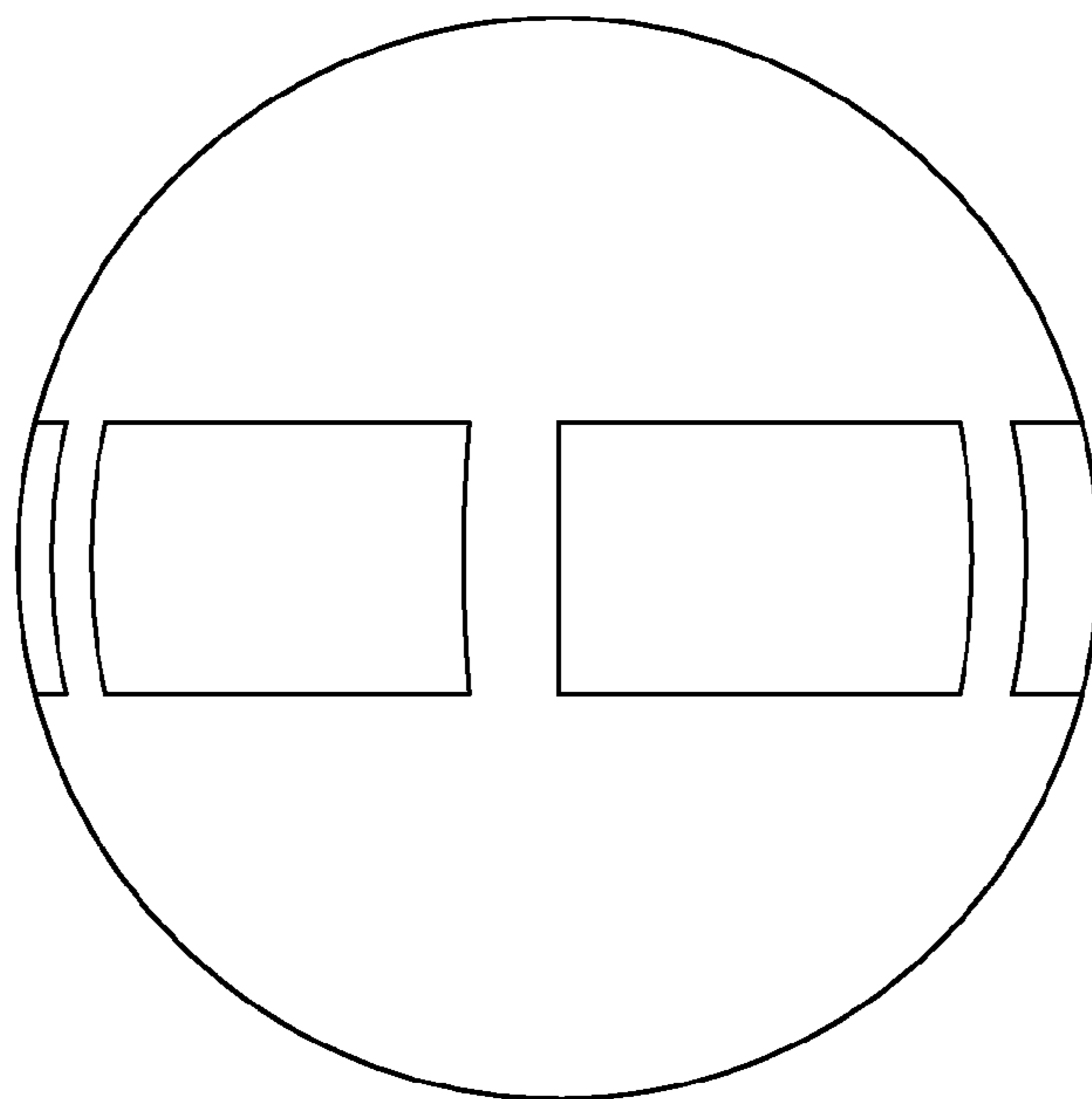




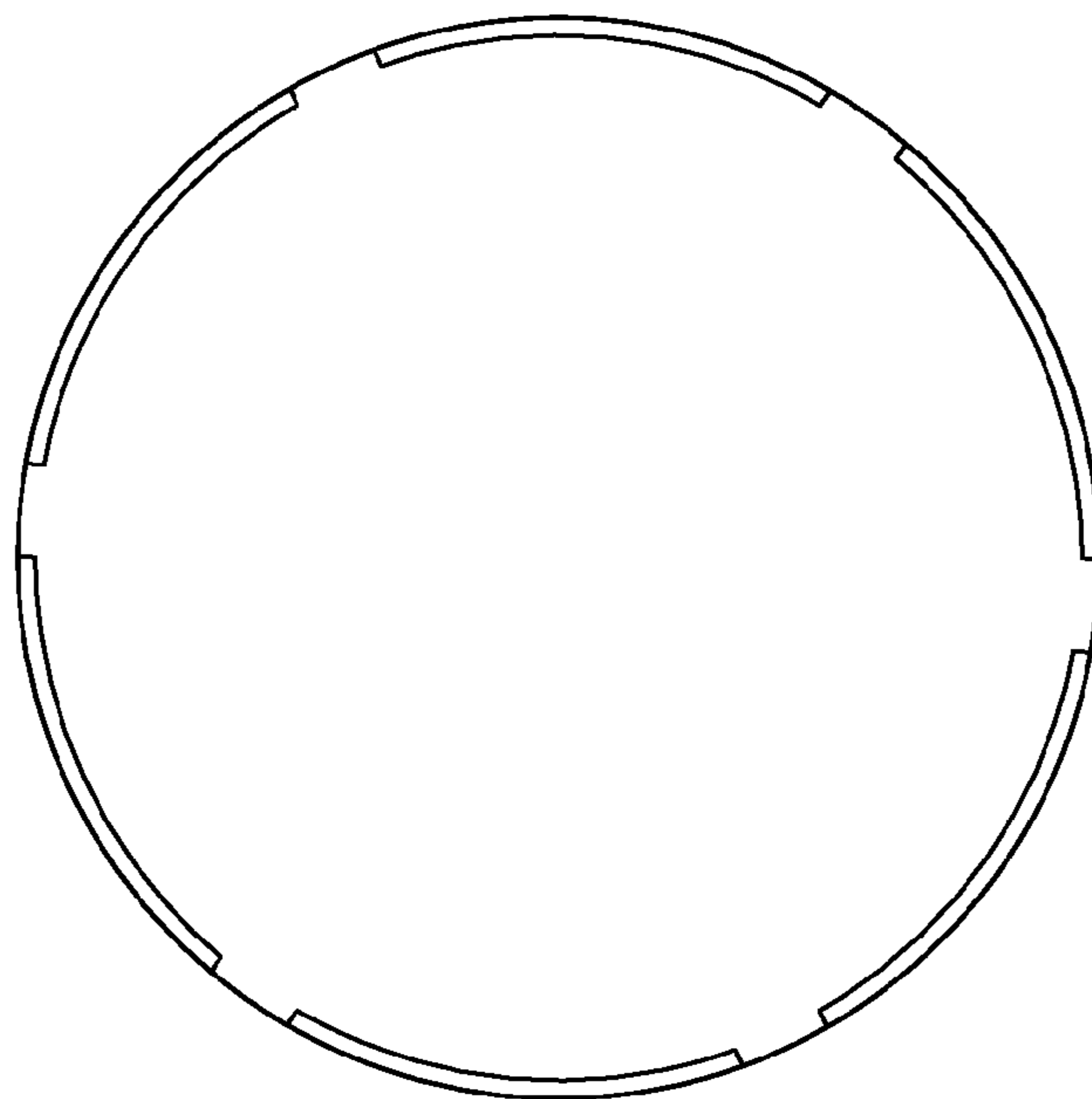
**Fig. 1**



**Fig. 2**



***Fig. 3***



***Fig. 4***