



US00D627015S

(12) **United States Design Patent**  
**Senegal**

(10) **Patent No.:** **US D627,015 S**  
(45) **Date of Patent:** **\*\* Nov. 9, 2010**

(54) **COMBINED BALANCE AND STABILITY DEVICE**

(75) Inventor: **Reginald J. Senegal**, Portland, OR (US)

(73) Assignee: **Level 10 Fitness Products LLC**,  
Portland, OR (US)

(\*\*) Term: **14 Years**

(21) Appl. No.: **29/353,013**

(22) Filed: **Dec. 30, 2009**

(51) **LOC (9) Cl.** ..... **21-02**

(52) **U.S. Cl.** ..... **D21/689**; D21/662

(58) **Field of Classification Search** ..... D21/662,  
D21/670-671, 685-686, 688-689, 692, 694;  
482/52, 79-80, 121-123, 129-130, 140,  
482/142, 146-147

See application file for complete search history.

(56) **References Cited**

**U.S. PATENT DOCUMENTS**

3,024,021	A *	3/1962	Coplin et al.	.....	482/146
3,612,520	A *	10/1971	Chang et al.	.....	482/71
D223,113	S *	3/1972	King	.....	D21/689
4,613,131	A *	9/1986	Anderson	.....	482/146
4,801,140	A *	1/1989	Bergeron	.....	482/146
5,766,119	A *	6/1998	Clark	.....	482/146
5,813,066	A *	9/1998	Gebhard et al.	.....	5/655
5,833,588	A *	11/1998	Connelly, III et al.	.....	482/126
D431,608	S *	10/2000	Lin	.....	D21/398
6,461,285	B1 *	10/2002	Theunissen et al.	.....	482/146
D489,778	S *	5/2004	Fan et al.	.....	D21/688
D495,014	S *	8/2004	Zabel	.....	D21/662
D507,026	S *	7/2005	Chen	.....	D21/671
6,945,920	B1 *	9/2005	Kemery et al.	.....	482/146
D552,696	S *	10/2007	Hallar	.....	D21/662
D612,896	S *	3/2010	Talley	.....	D21/686
7,722,506	B2 *	5/2010	Pratson et al.	.....	482/52

**OTHER PUBLICATIONS**

“Bosu® Total Training System with 4 DVD Workouts”, [http://www.bosu.com/scripts/cgiip.exe/WService=BOSU/itemdetl.html?item=BOSU\\_HOME3D](http://www.bosu.com/scripts/cgiip.exe/WService=BOSU/itemdetl.html?item=BOSU_HOME3D), visited Apr. 2, 2010, 1 page.

“FitBall® Deluxe Board”, [http://www.balldynamics.com/product\\_info.php/cPath/58/products\\_id/377](http://www.balldynamics.com/product_info.php/cPath/58/products_id/377), visited Apr. 2, 2010, 1 page.

“My Gym—Official Site of AsSeenOnTV.com—The Total Body Conditioning System”, [http://www.asseenontv.com/prod-pages/my\\_gym.html](http://www.asseenontv.com/prod-pages/my_gym.html), visited Apr. 2, 2010, 1 page.

“Reebok Core Board”, [http://www.performbetter.com/detail.aspx\\_Q\\_ID\\_E\\_3557\\_A\\_CategoryID\\_E\\_231](http://www.performbetter.com/detail.aspx_Q_ID_E_3557_A_CategoryID_E_231), visited Apr. 2, 2010, 1 page.

SPRI Slanted Riser™ for use with the Original Step™, <http://www.fitnessgiant.com/spsri.html>, visited Apr. 2, 2010, 1 page.

\* cited by examiner

*Primary Examiner*—Susan E Krakower

(74) *Attorney, Agent, or Firm*—Klarquist Sparkman, LLP

(57) **CLAIM**

I claim the ornamental design for a combined balance and stability device, as shown and described.

**DESCRIPTION**

FIG. 1 is a top and right side perspective view of a combined balance and stability device showing my new design.

FIG. 2 is a top plan view of the combined balance and stability device shown in FIG. 1.

FIG. 3 is a bottom plan view of the combined balance and stability device shown in FIG. 1.

FIG. 4 is a left side elevation view of the combined balance and stability device shown in FIG. 1.

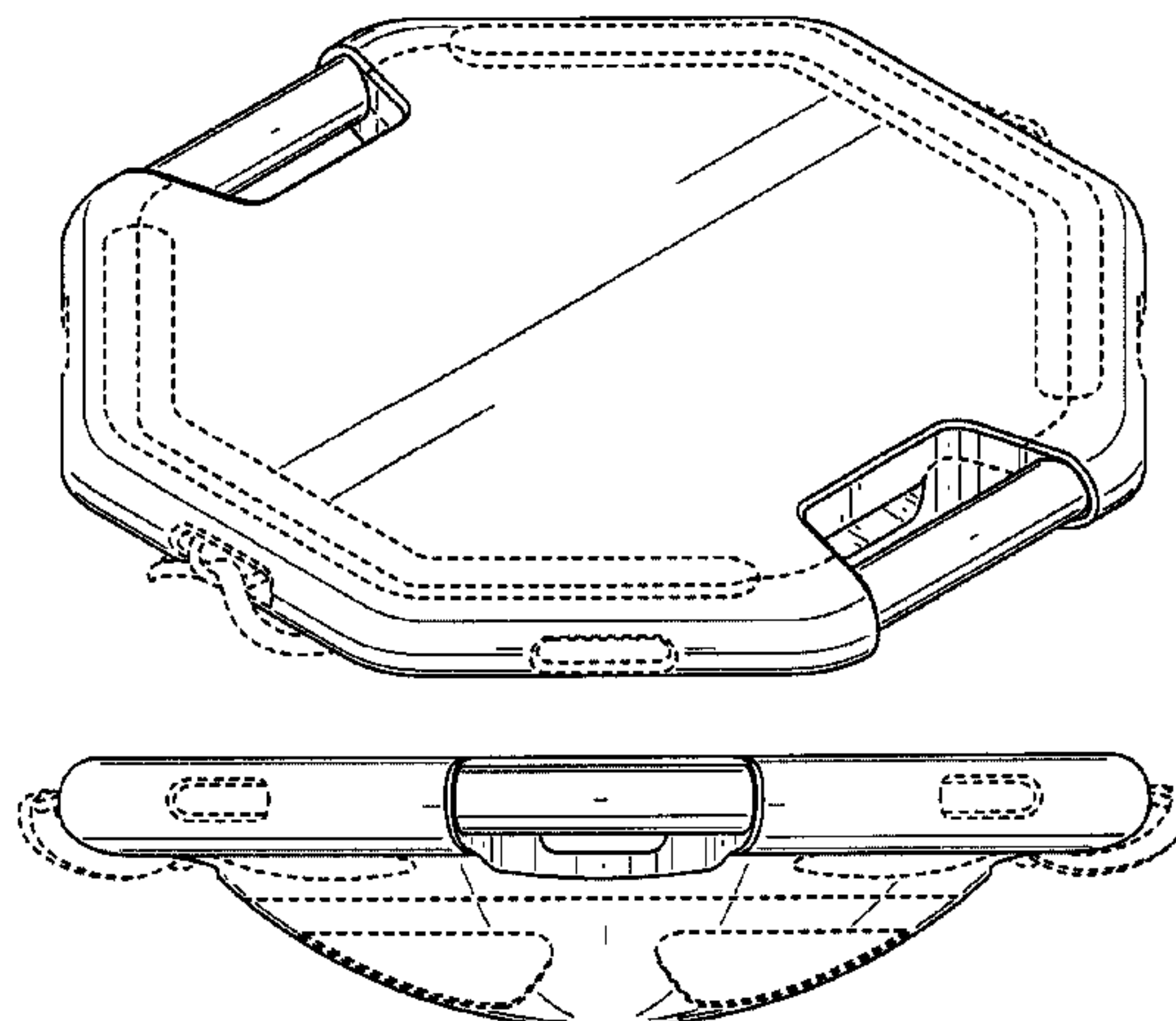
FIG. 5 is a right side elevation view of the combined balance and stability device shown in FIG. 1.

FIG. 6 is a front elevation view of the combined balance and stability device shown in FIG. 1; and,

FIG. 7 is rear elevation view of the combined balance and stability device shown in FIG. 1.

The broken lines illustrate environmental elements of the combined balance and stability device which form no part of the claimed design.

**1 Claim, 5 Drawing Sheets**



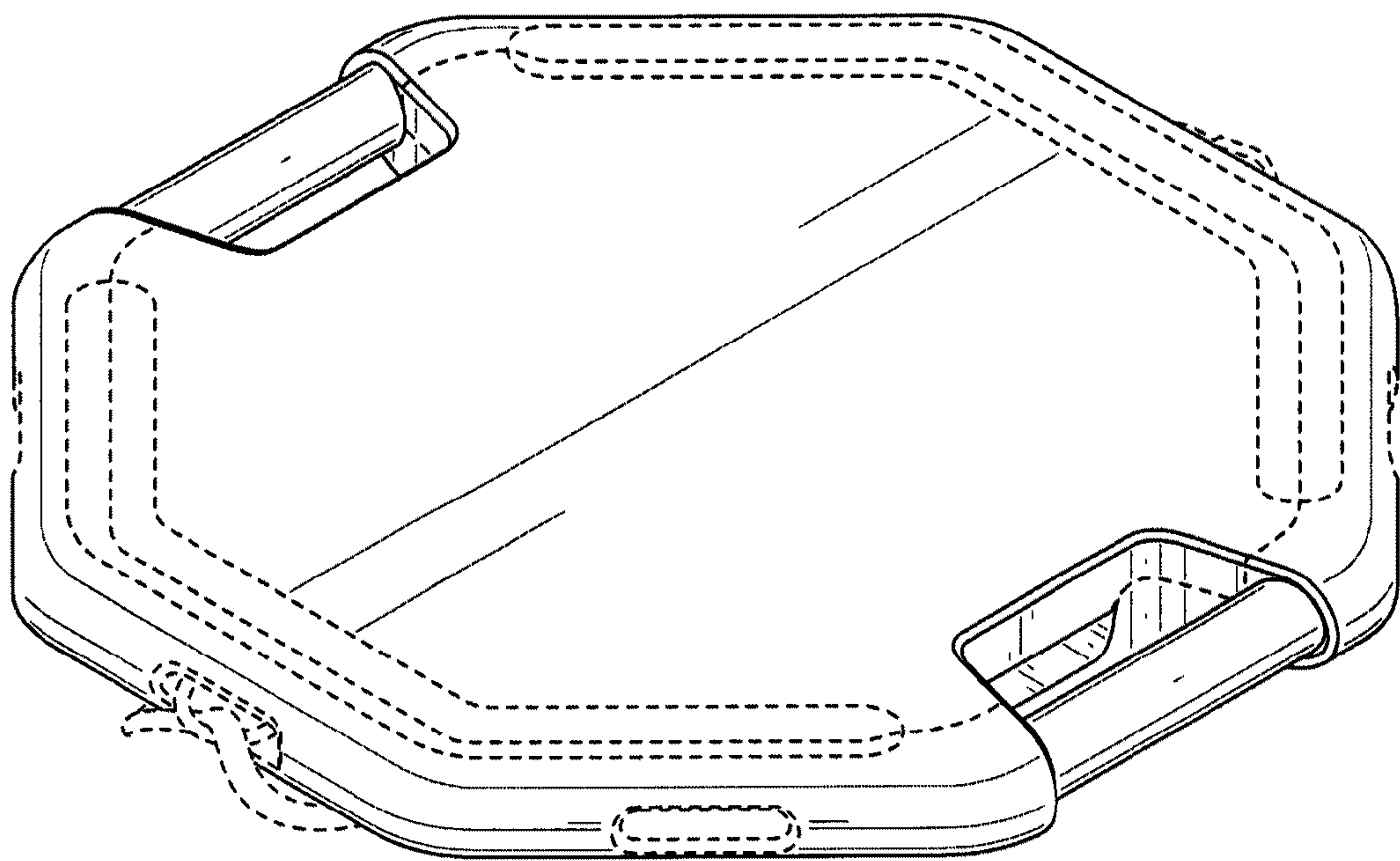


FIG. 1

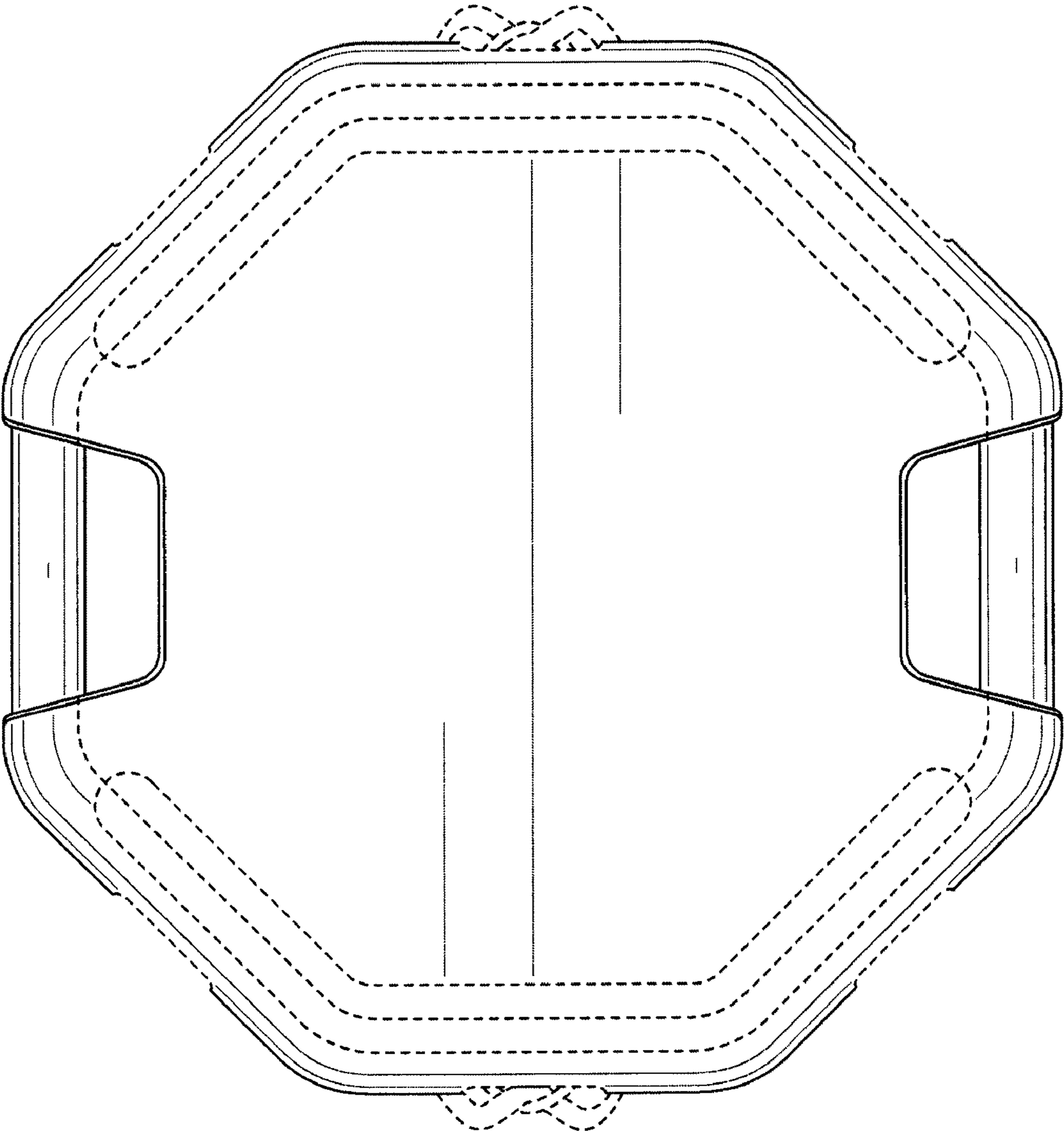


FIG. 2



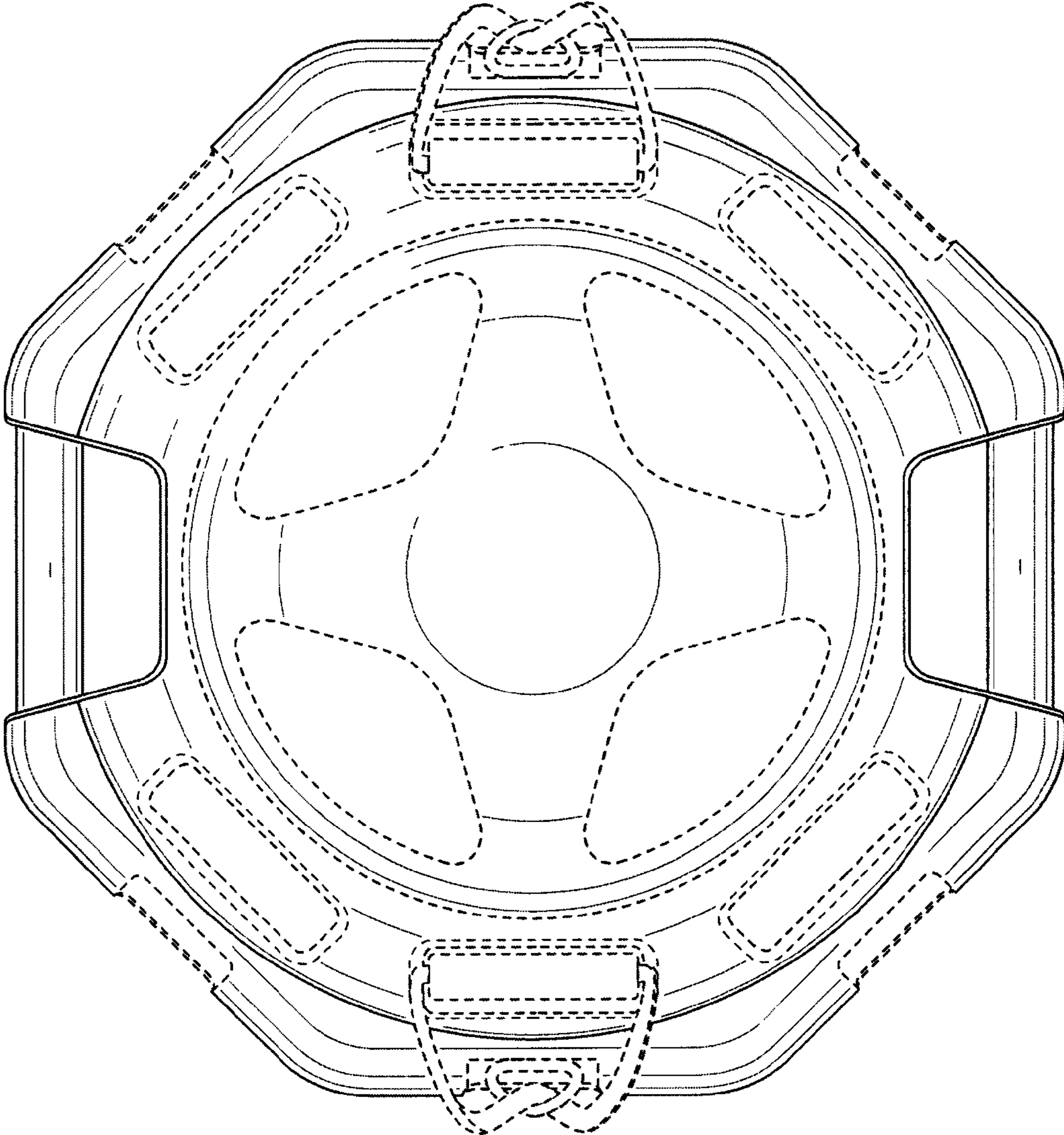


FIG. 3

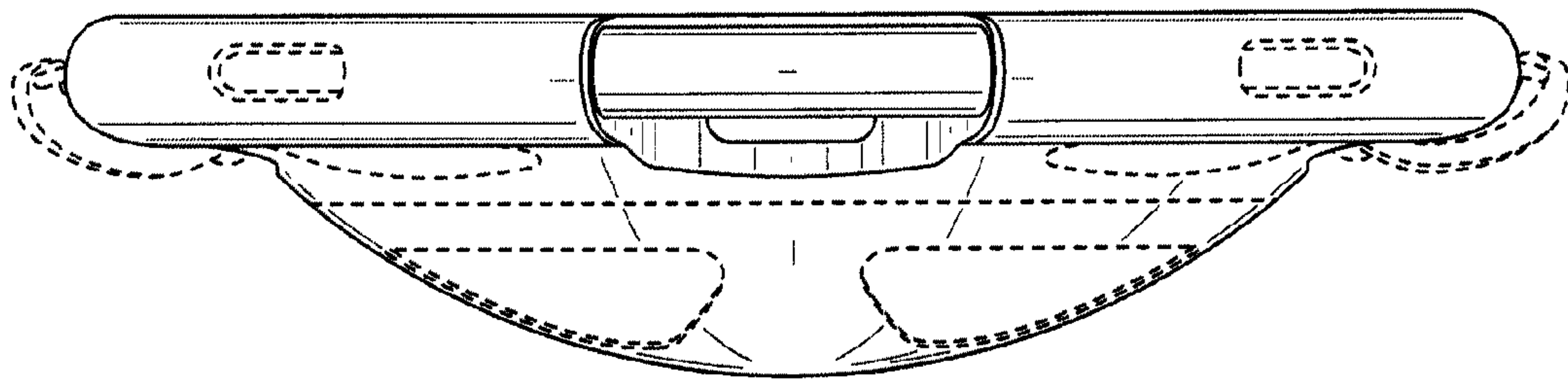


FIG. 4

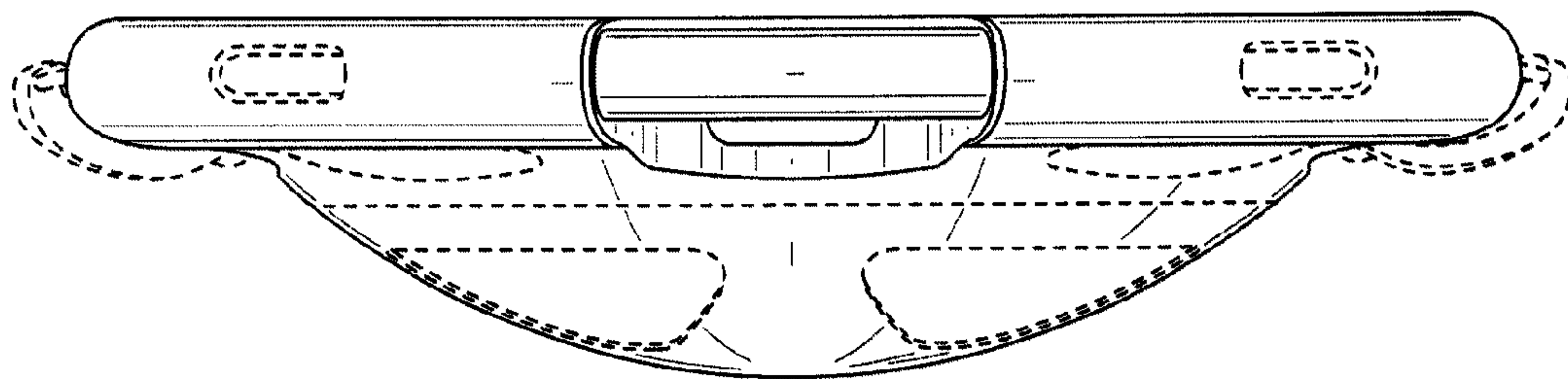


FIG. 5

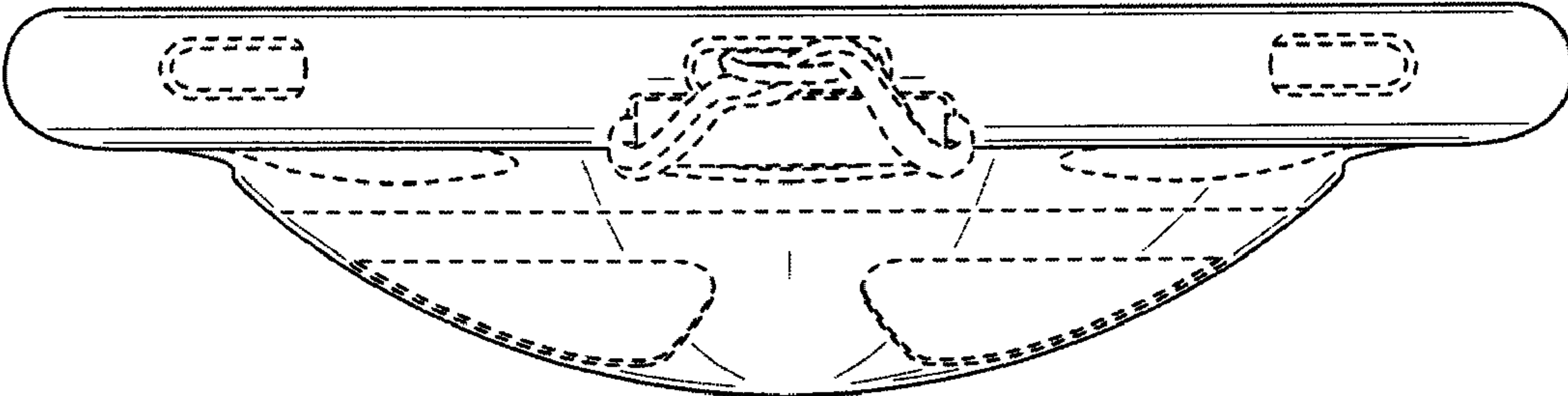


FIG. 6

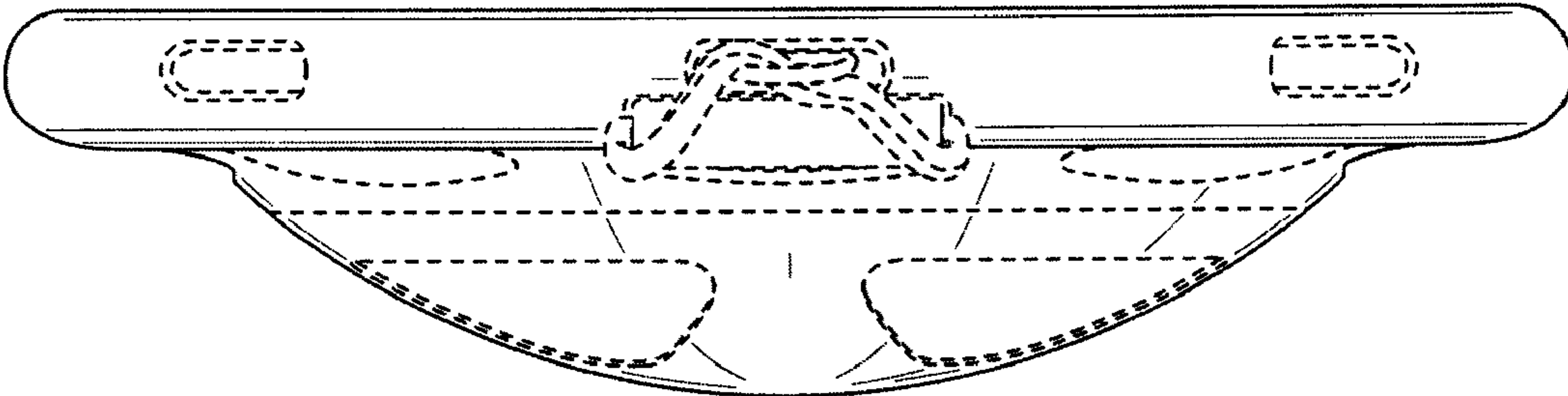


FIG. 7