



US00D627014S

(12) **United States Design Patent**
Gustin

(10) **Patent No.:** **US D627,014 S**
(45) **Date of Patent:** **** Nov. 9, 2010**

(54) **COMBINED ABDOMINAL CRUNCH BOARD AND PUNCHING BAG**

(75) Inventor: **Pete Gustin**, Hartland, WI (US)

(73) Assignee: **Tristar Products, Inc.**, Fairfield, NJ (US)

(**) Term: **14 Years**

(21) Appl. No.: **29/341,951**

(22) Filed: **Aug. 14, 2009**

(51) **LOC (9) Cl.** **21-02**

(52) **U.S. Cl.** **D21/687; D21/690**

(58) **Field of Classification Search** D21/662,
D21/676, 687, 690-691, 694, 686, 673, 675;
482/83, 86-87, 89, 90, 138, 140, 142, 144-145
See application file for complete search history.

(56) **References Cited**

U.S. PATENT DOCUMENTS

3,159,141	A *	12/1964	Paterek	119/706
D293,007	S *	12/1987	Dittig	D21/690
D339,618	S *	9/1993	Hassell	D21/687
D370,506	S *	6/1996	Clem	D21/687
D393,891	S *	4/1998	Van Der Hoeven et al.	D21/676
6,152,865	A *	11/2000	Beauvoir	482/140
6,390,960	B1 *	5/2002	Boland	482/140
D477,372	S *	7/2003	Garner	D21/690
D541,357	S *	4/2007	Webber	D21/690
D541,358	S *	4/2007	Webber	D21/690
D541,893	S *	5/2007	Webber	D21/690
D542,868	S *	5/2007	Webber	D21/690
D545,928	S *	7/2007	Huang	D21/690
7,662,077	B1 *	2/2010	Liu	482/142
2007/0225135	A1 *	9/2007	Webber	482/140

* cited by examiner

Primary Examiner—Susan E Krakower

(74) *Attorney, Agent, or Firm*—QuickPatents, Inc.; Kevin Prince

(57) **CLAIM**

I claim the ornamental design for a combined abdominal crunch board and punching bag, as shown and described.

DESCRIPTION

FIG. 1 is a perspective view of a combined abdominal crunch board and punching bag, illustrated in an extended position, showing my new design;

FIG. 2 is a front elevational view thereof, illustrated in the extended position;

FIG. 3 is a rear elevational view thereof, illustrated in the extended position;

FIG. 4 is a left-side elevational view thereof, illustrated in the extended position;

FIG. 5 is a right-side elevational view thereof, illustrated in the extended position;

FIG. 6 is a top plan view thereof, illustrated in the extended position;

FIG. 7 is a bottom plan view thereof, illustrated in the extended position;

FIG. 8 is a perspective view thereof, illustrated in a collapsed position;

FIG. 9 is a front elevational view thereof, illustrated in the collapsed position;

FIG. 10 is a rear elevational view thereof, illustrated in the collapsed position;

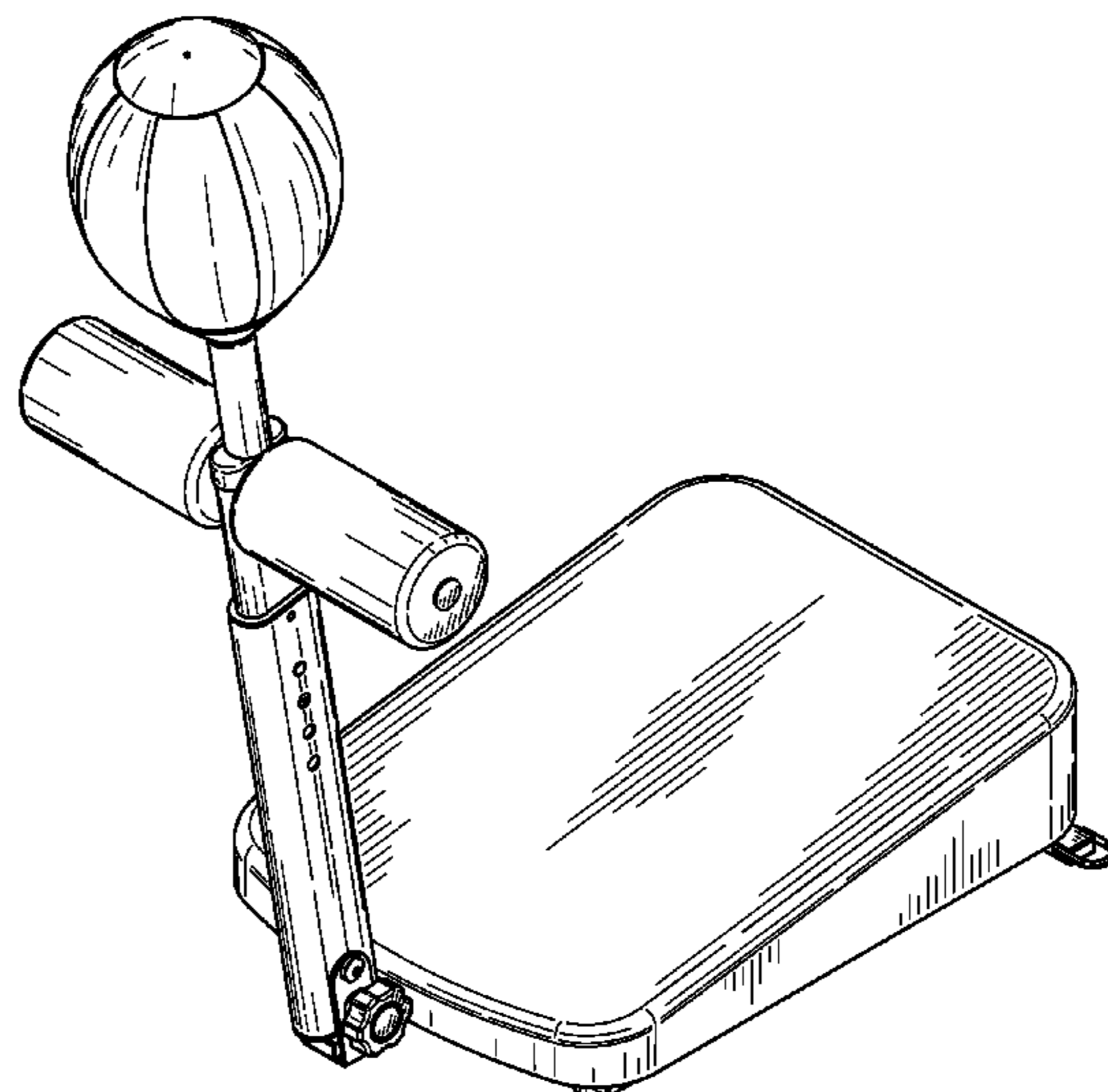
FIG. 11 is a left-side elevational view thereof, illustrated in the collapsed position;

FIG. 12 is a right-side elevational view thereof, illustrated in the collapsed position;

FIG. 13 is a top plan view thereof, illustrated in the collapsed position; and,

FIG. 14 is a bottom plan view thereof, illustrated in the collapsed position.

1 Claim, 11 Drawing Sheets



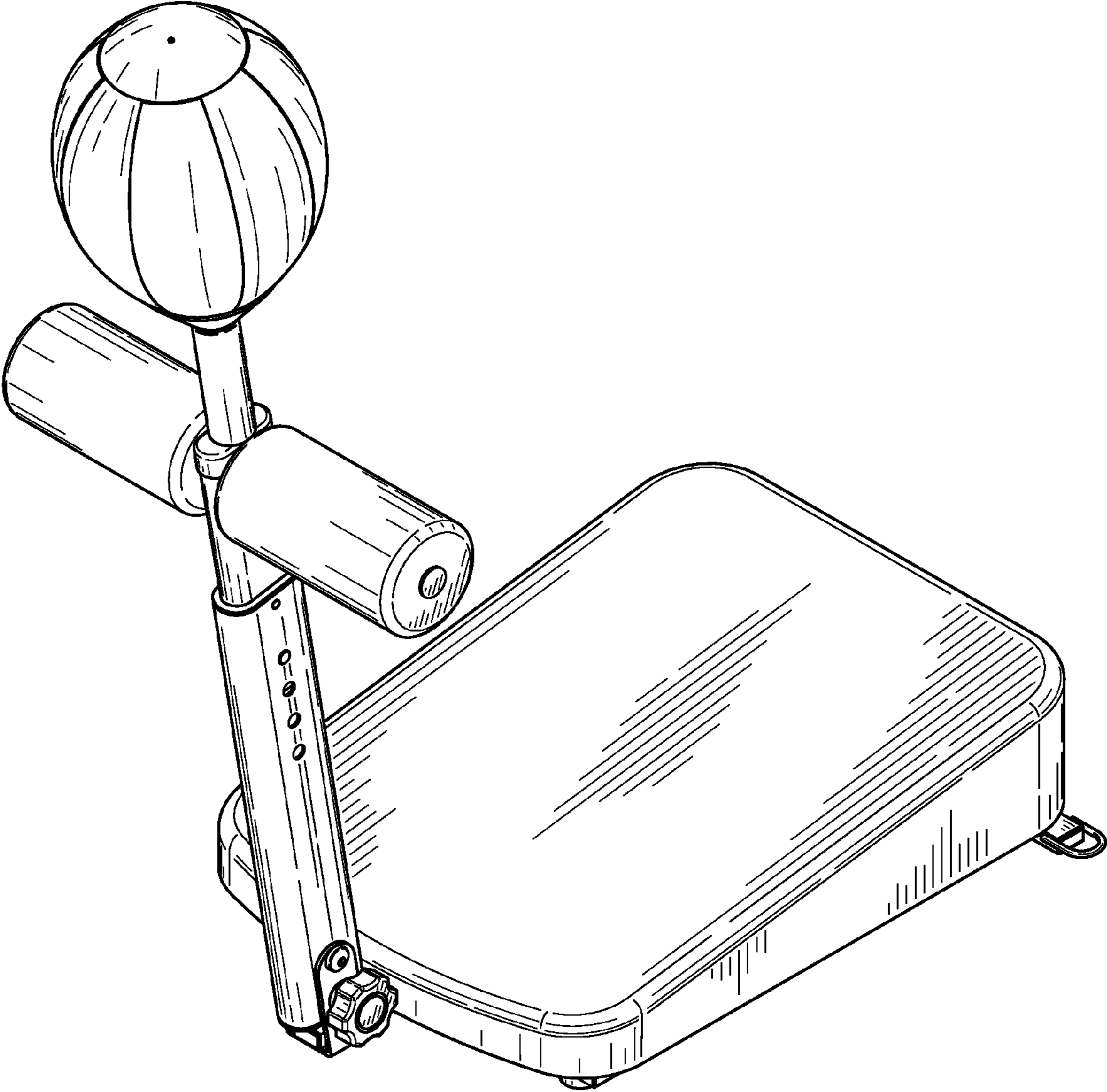


FIG. 1

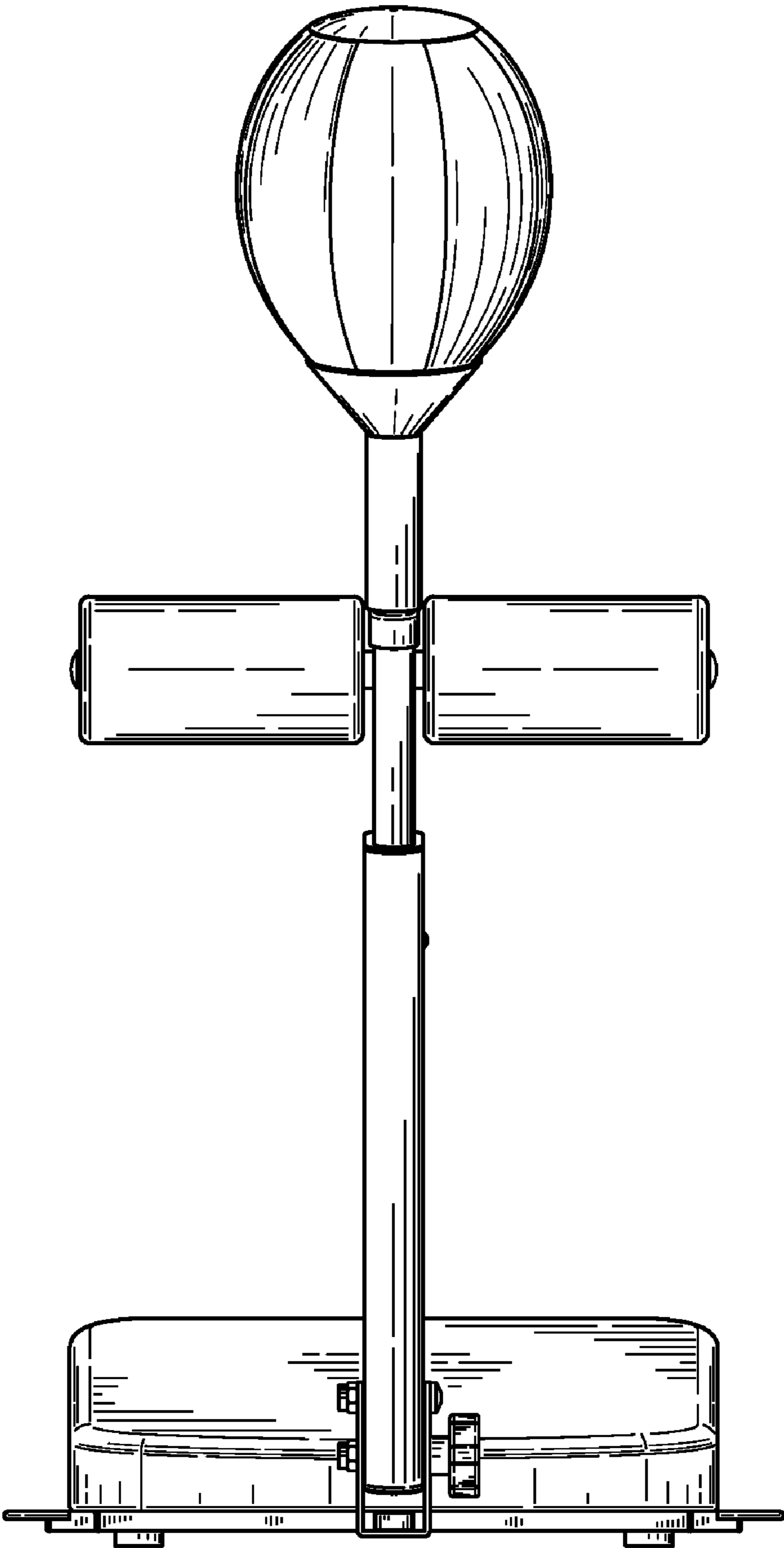


FIG. 2

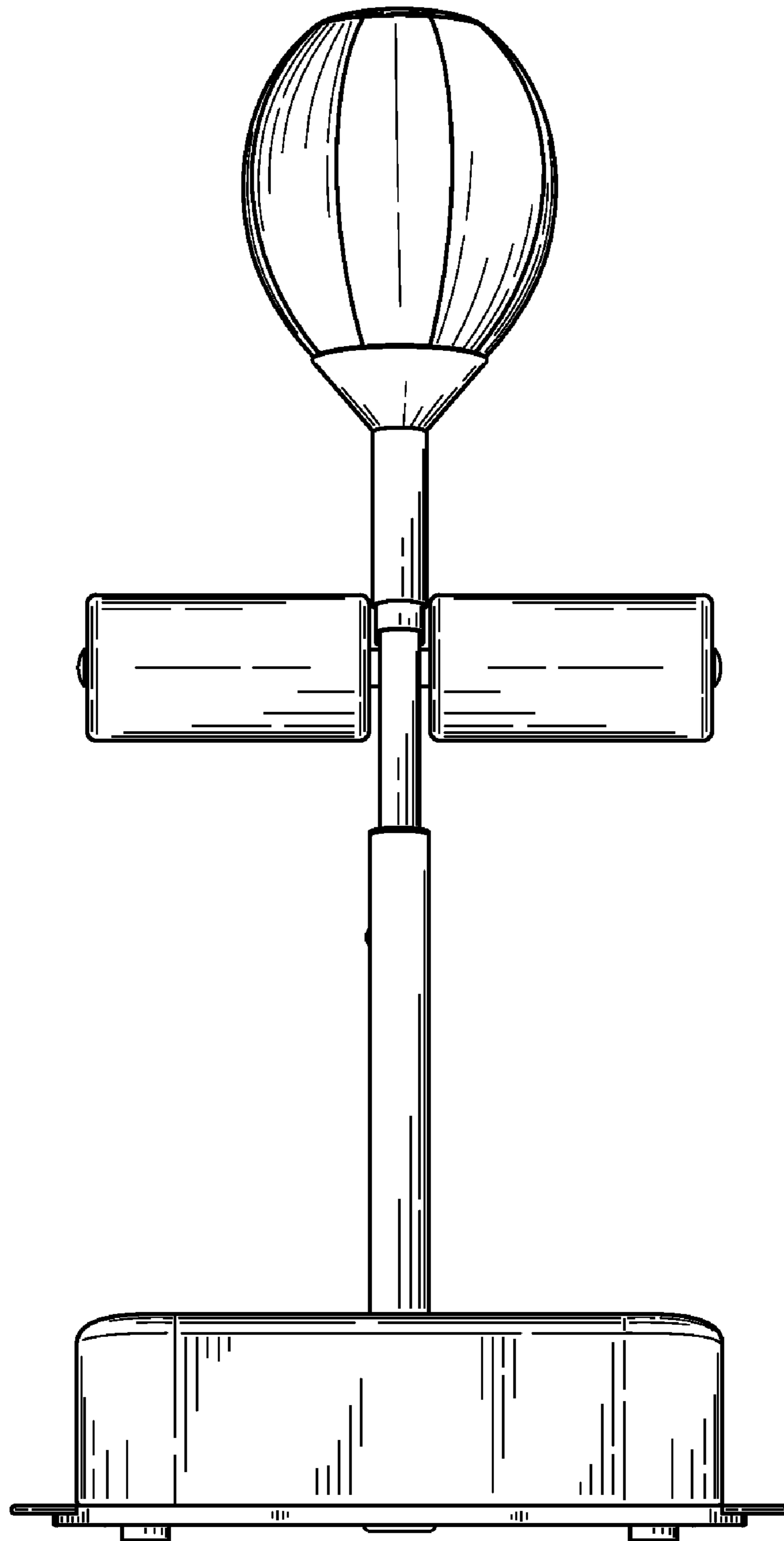


FIG. 3

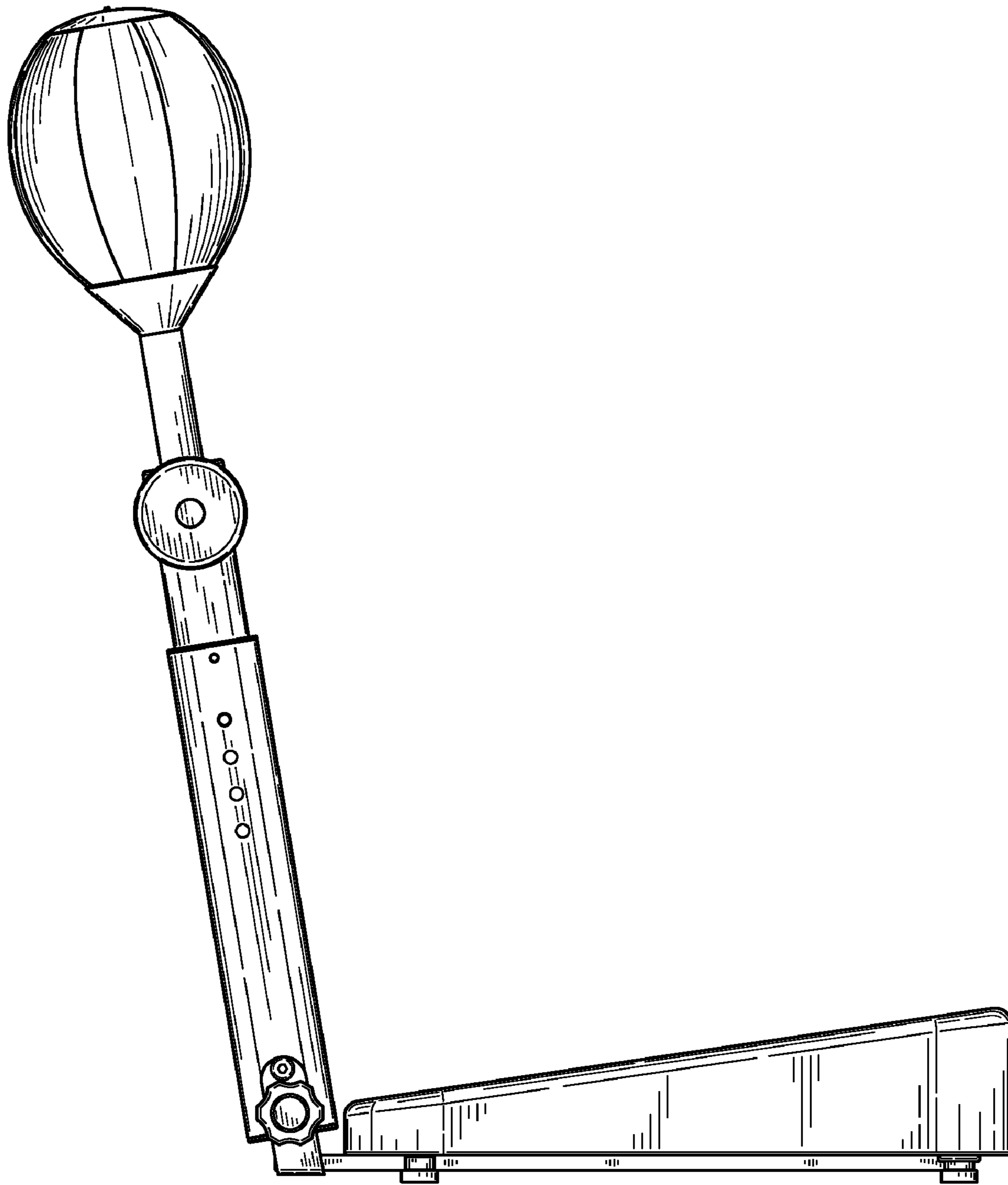


FIG. 4

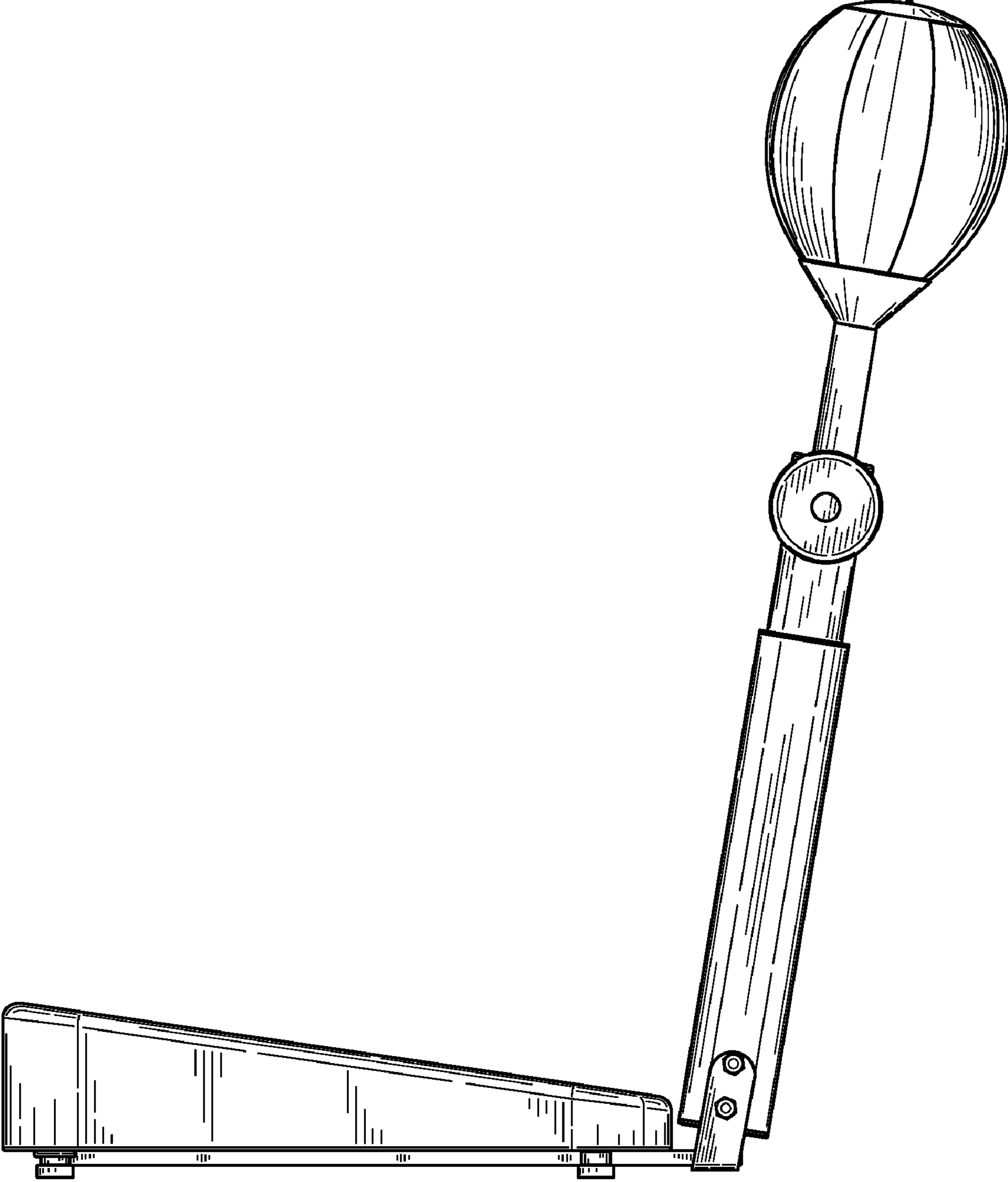


FIG. 5

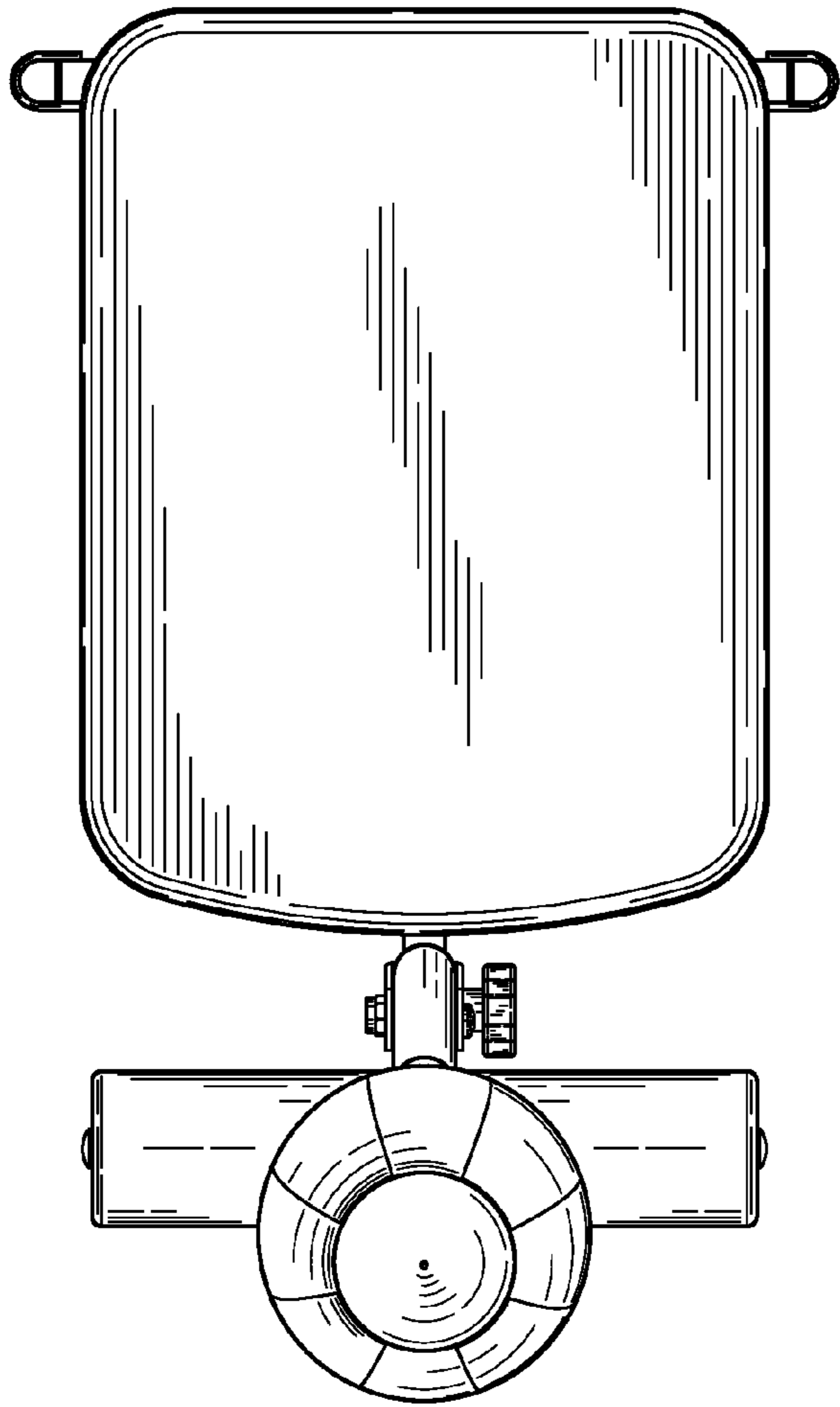


FIG. 6

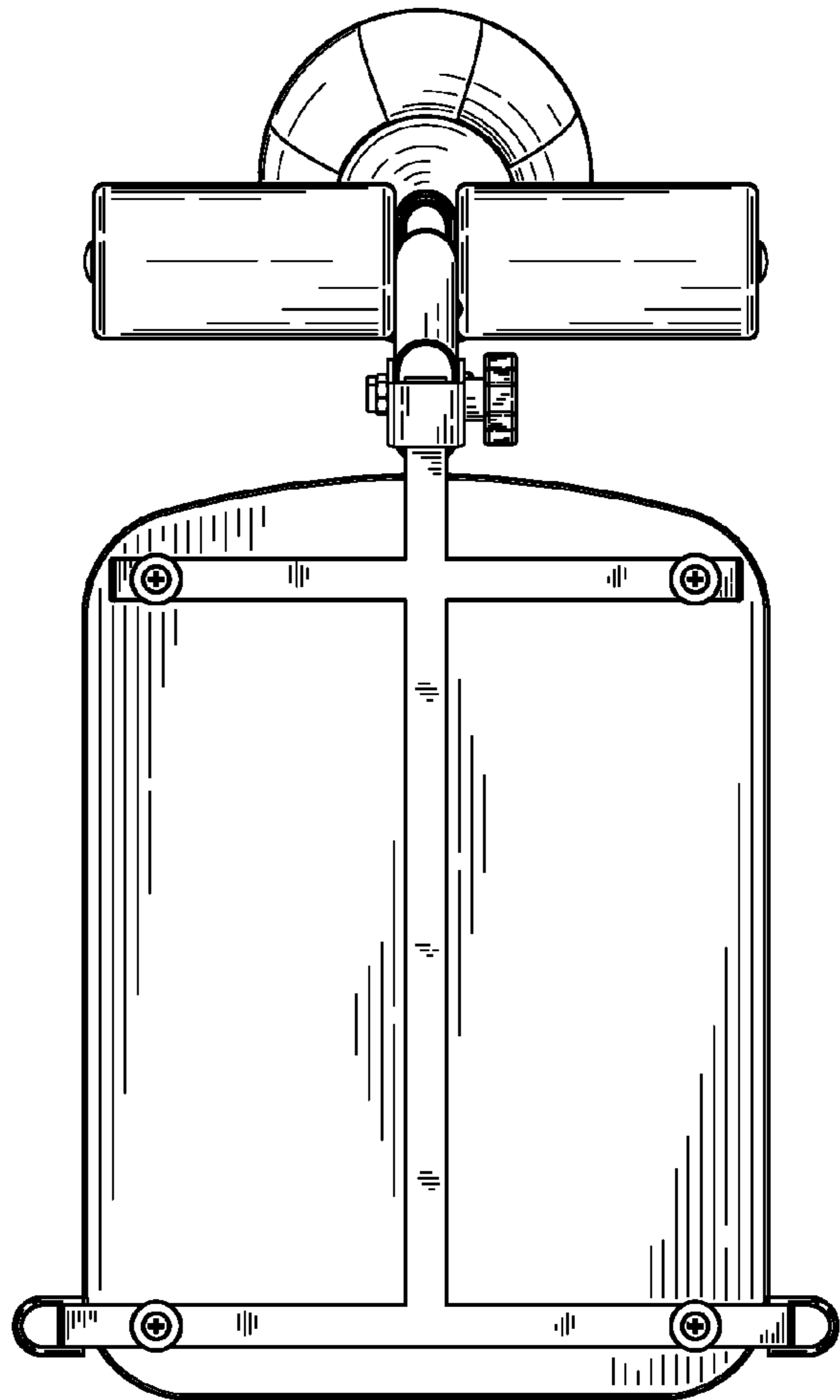


FIG. 7

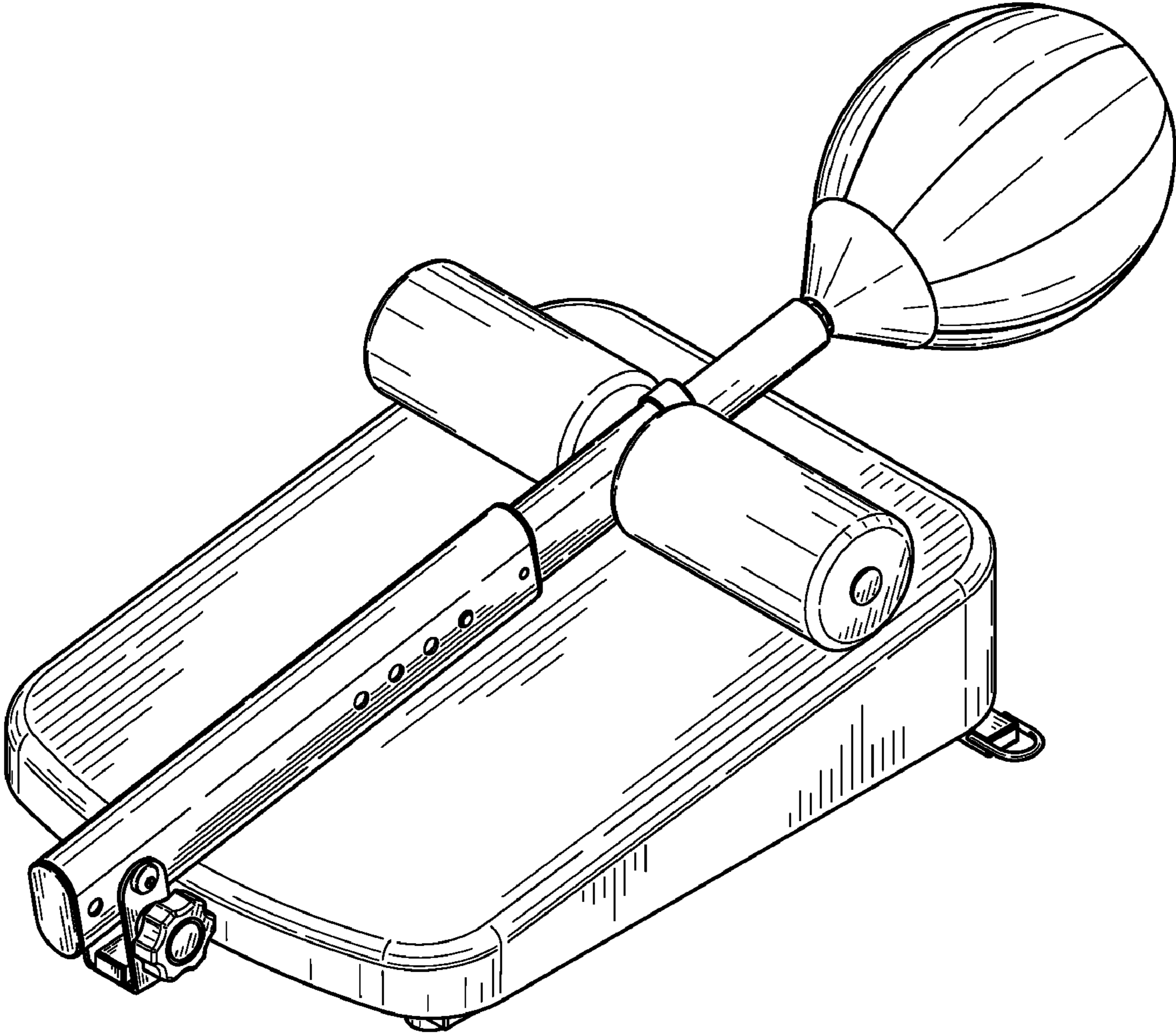


FIG. 8

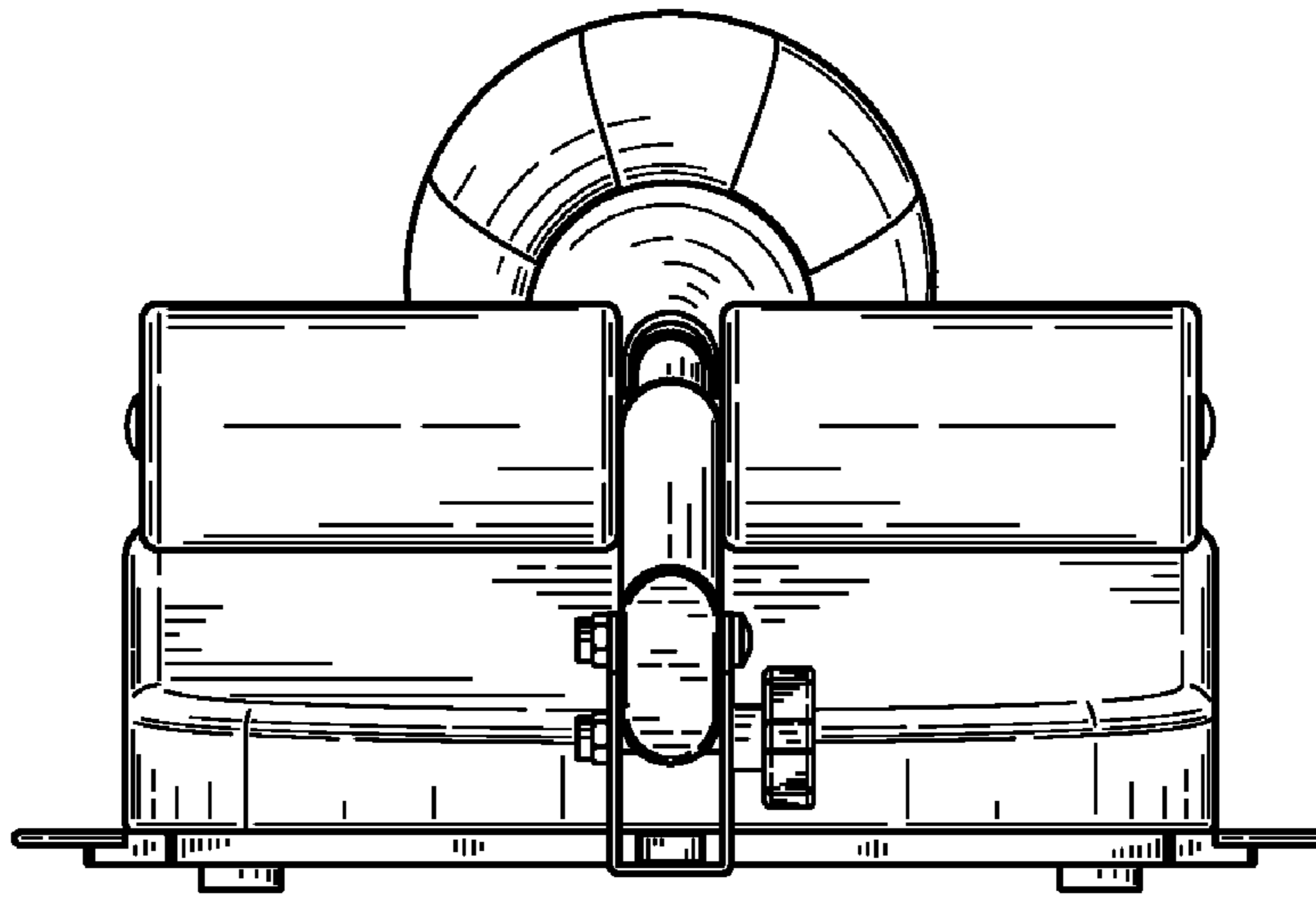


FIG. 9

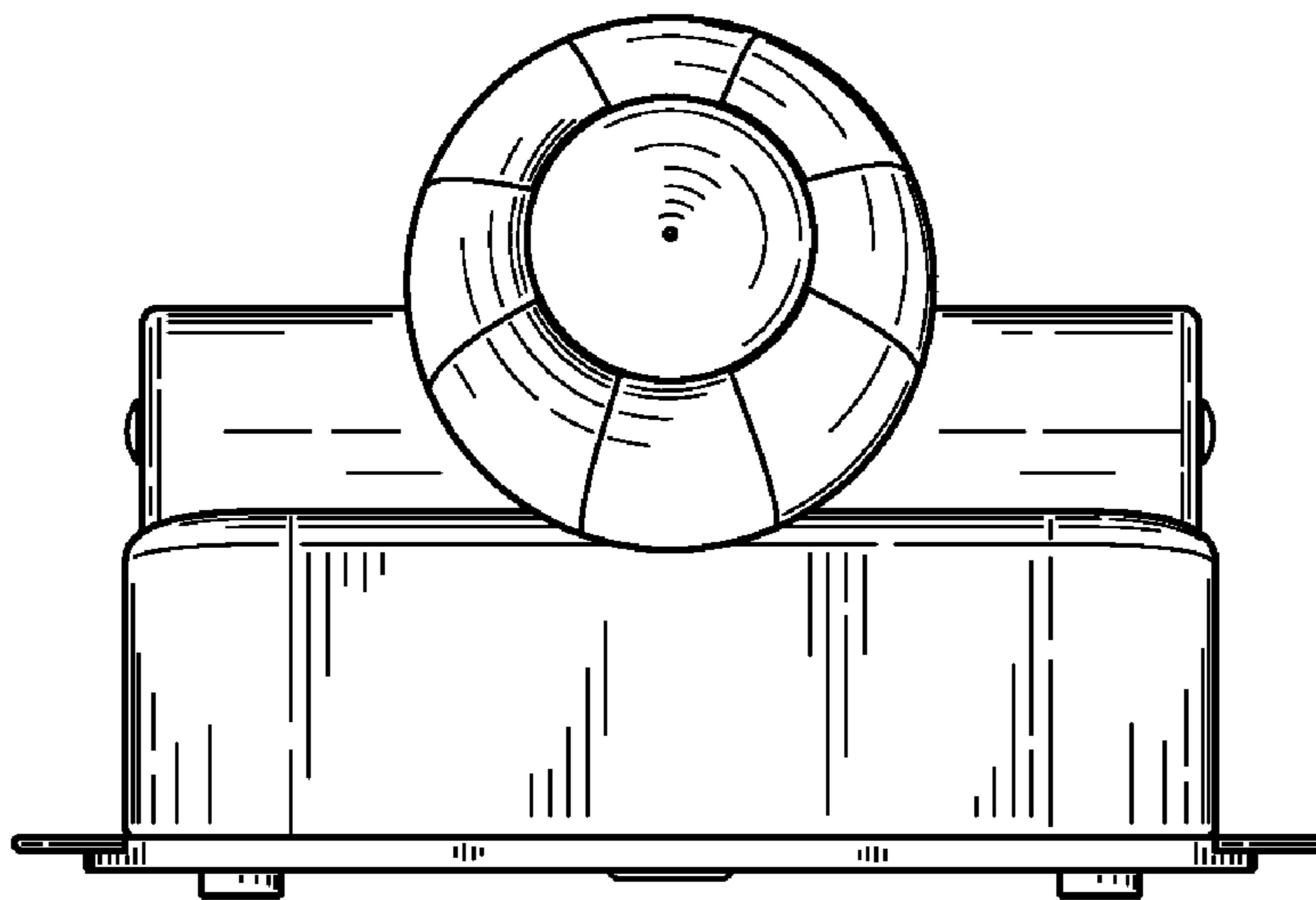


FIG. 10

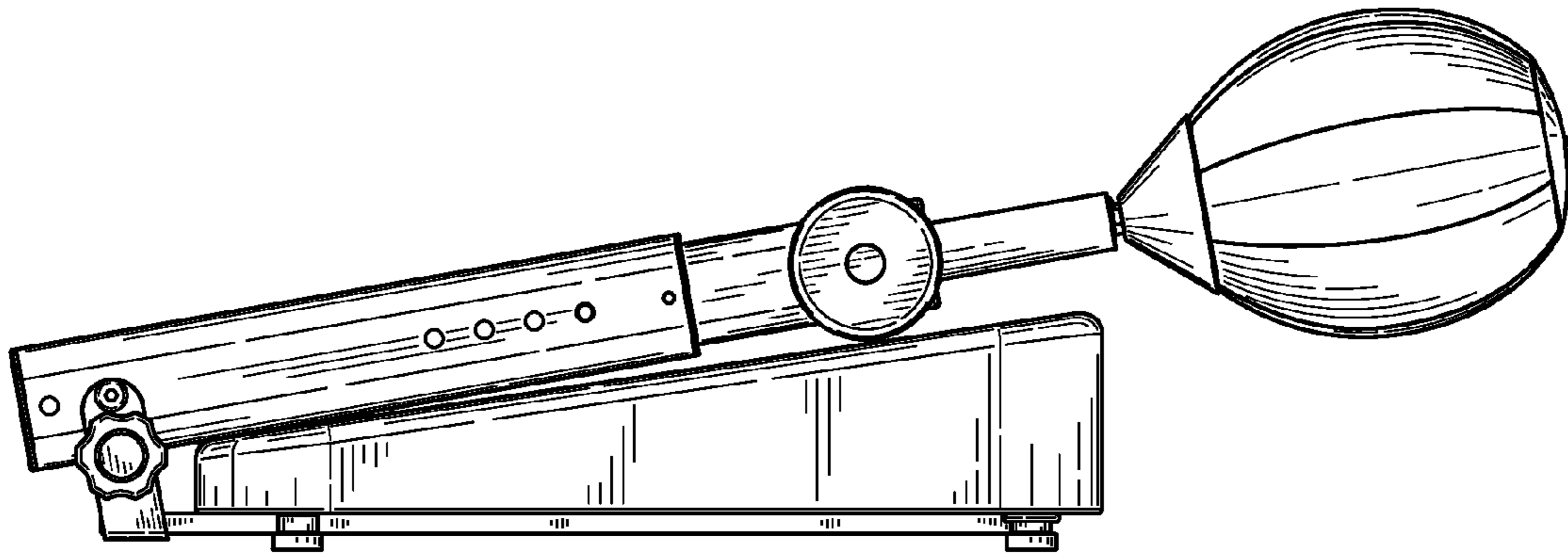


FIG. 11

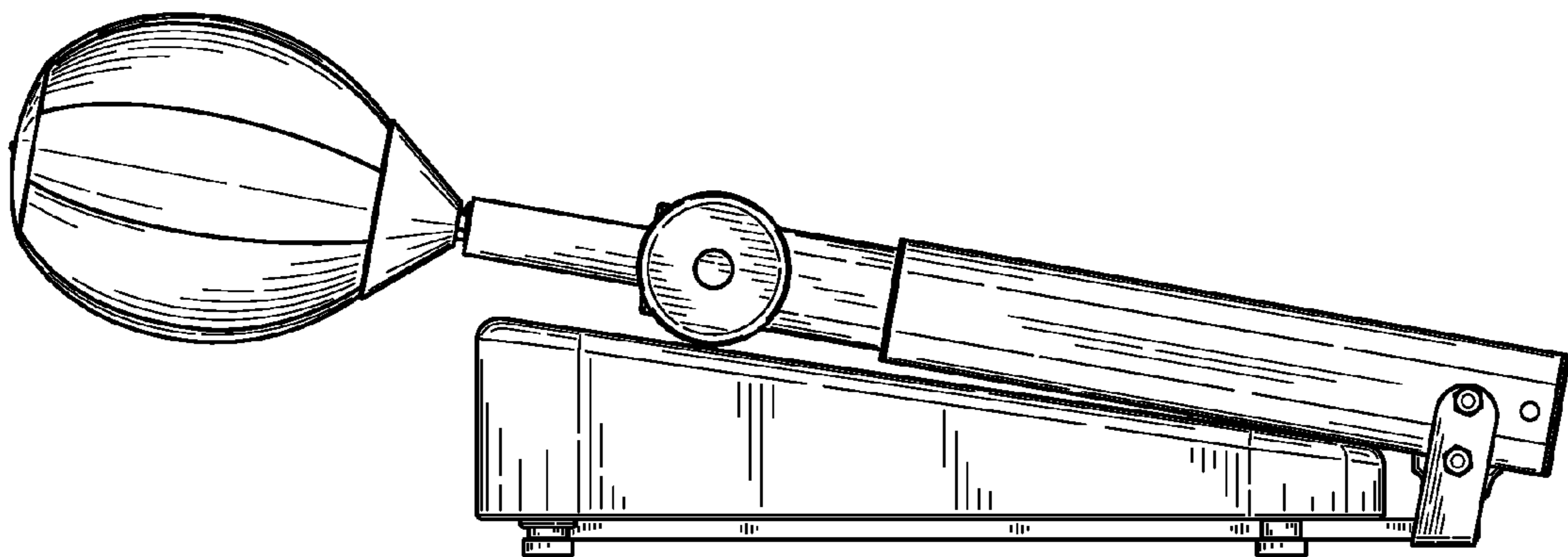


FIG. 12

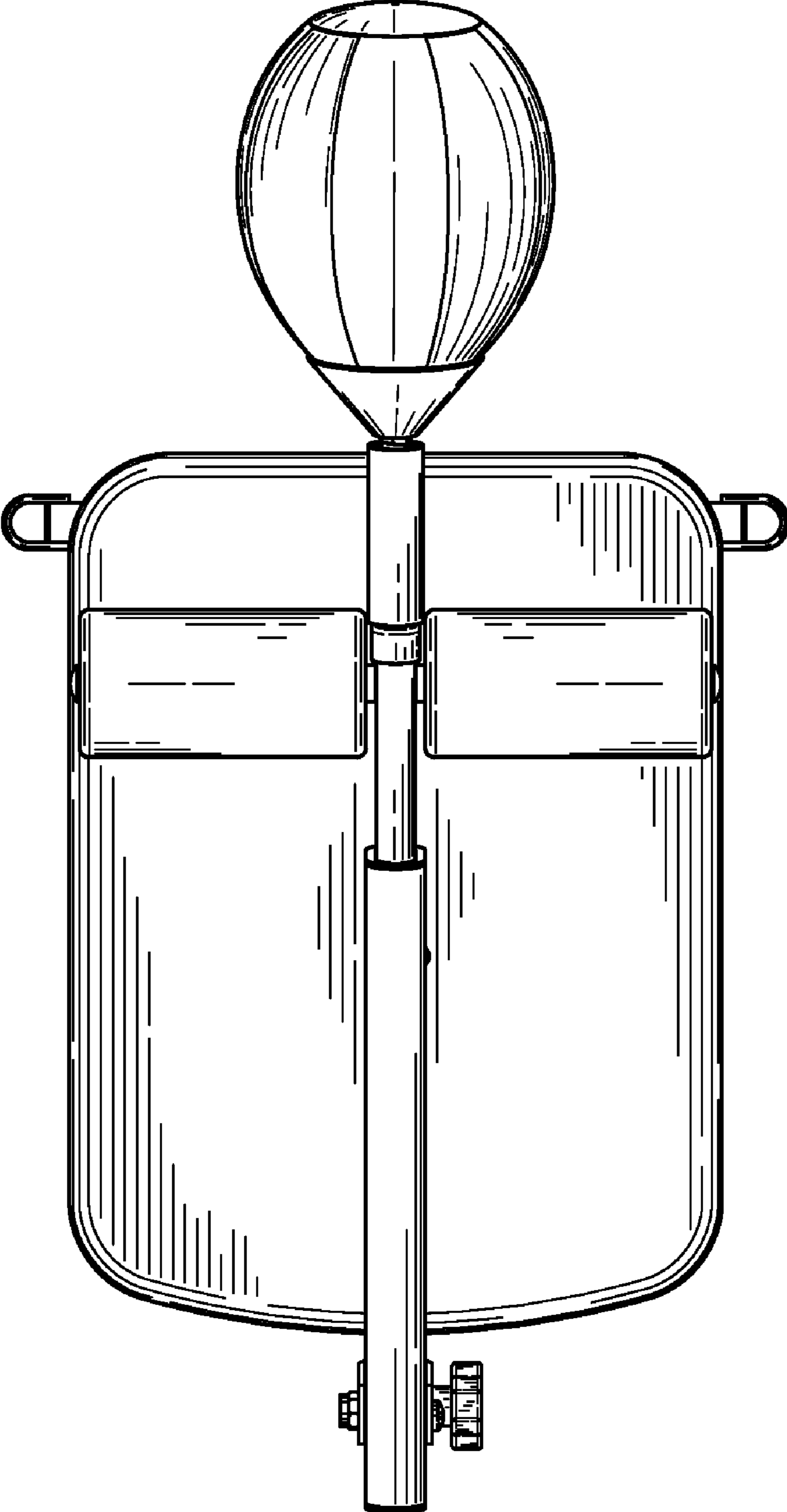


FIG. 13

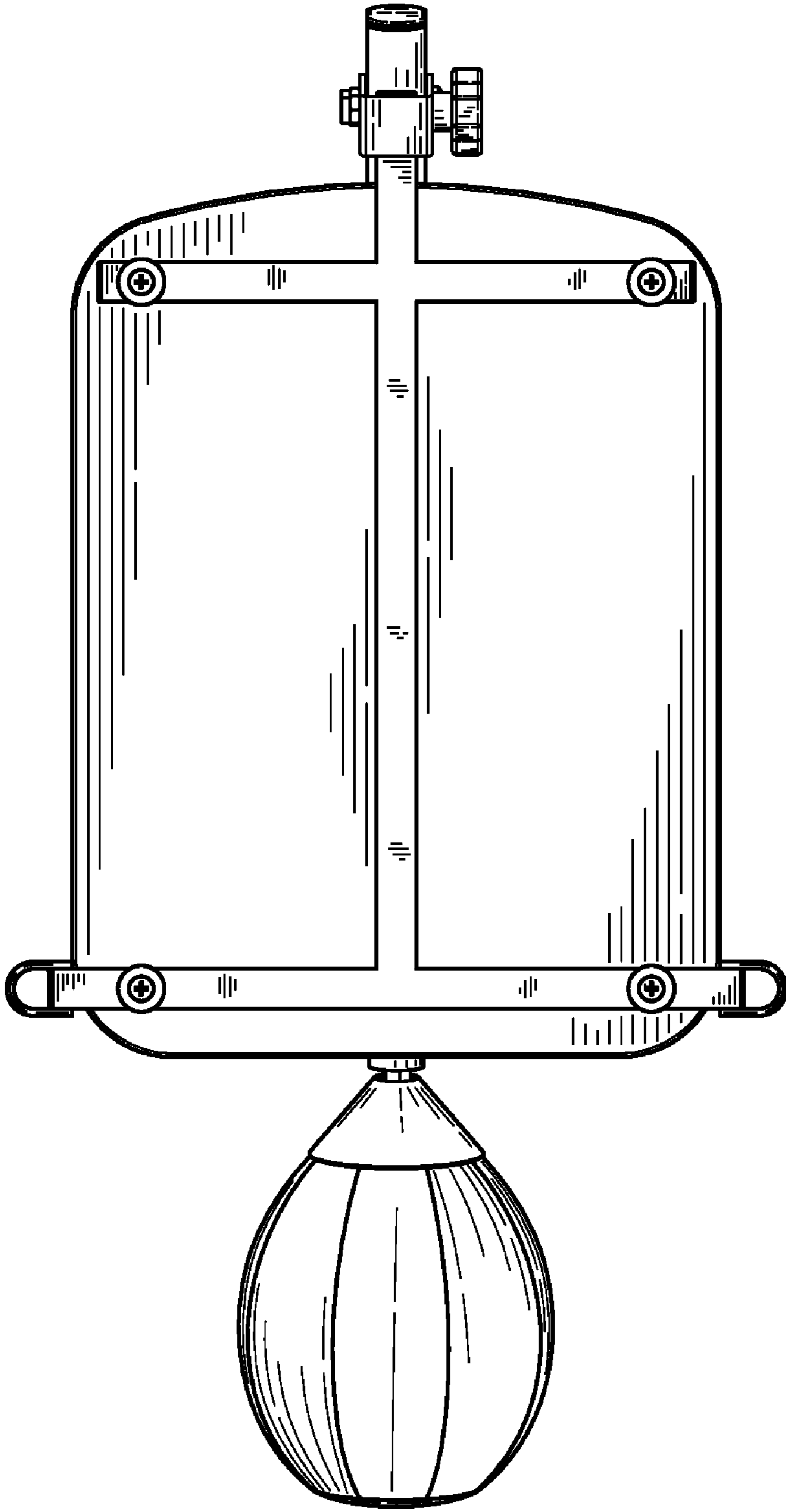


FIG. 14