



US00D627013S

(12) **United States Design Patent**
Nys

(10) **Patent No.:** **US D627,013 S**

(45) **Date of Patent:** **** *Nov. 9, 2010**

(54) **FITNESS CUBE**

(75) Inventor: **Gregoire Nys**, Lesquin (FR)

(73) Assignee: **Decathlon**, Villeneuve d'Ascq (FR)

(*) Notice: This patent is subject to a terminal disclaimer.

(**) Term: **14 Years**

(21) Appl. No.: **29/297,840**

(22) Filed: **Nov. 20, 2007**

(30) **Foreign Application Priority Data**

Jun. 29, 2007 (EM) RCD 000750195-000

(51) **LOC (9) Cl.** **21-02**

(52) **U.S. Cl.** **D21/686**; D21/662

(58) **Field of Classification Search** D21/662,
D21/673, 676, 686, 690; 482/51, 133, 138,
482/142, 92

See application file for complete search history.

(56) **References Cited**

U.S. PATENT DOCUMENTS

- 3,664,666 A * 5/1972 Lloyd 482/133
- 3,893,667 A * 7/1975 Snyder et al. 482/114
- 5,171,295 A * 12/1992 Schwalm, Jr. 482/131
- 5,421,800 A * 6/1995 Mullen 482/121
- 5,575,742 A * 11/1996 Wu 482/92
- 5,697,870 A * 12/1997 Osborn 482/52
- 5,984,844 A * 11/1999 Royer 482/133
- 6,152,855 A * 11/2000 Dean et al. 482/4
- 6,245,001 B1 * 6/2001 Siaperas 482/142
- 6,634,998 B2 * 10/2003 Siaperas 482/142

6,908,417 B2 * 6/2005 Jackson 482/52

* cited by examiner

Primary Examiner—Susan E Krakower

(74) *Attorney, Agent, or Firm*—Fredrikson & Byron

(57) **CLAIM**

I claim the ornamental design for the fitness cube, as shown and described.

DESCRIPTION

FIG. 1 is a perspective view from the front of the fitness cube of my new design, currently folded;

FIG. 2 is a perspective view from the rear thereof, currently folded;

FIG. 3 is a perspective view from the rear thereof, currently unfolded and with a top mat;

FIG. 4 is a perspective view from the rear thereof, currently unfolded and without a top mat, showing compartments for fitness accessories;

FIG. 5 is a front view thereof;

FIG. 6 is a rear view thereof, currently folded;

FIG. 7 is a rear view thereof, currently unfolded;

FIG. 8 is a right side view thereof, currently folded, the left side view being a mirror image;

FIG. 9 is a right side view thereof, currently unfolded, the left side view being a mirror image;

FIG. 10 is a top view thereof, currently folded and with a top mat;

FIG. 11 is a top view thereof, currently unfolded and with a top mat; and,

FIG. 12 is a top view thereof, currently unfolded and without a top mat, showing compartments for fitness accessories.

1 Claim, 9 Drawing Sheets

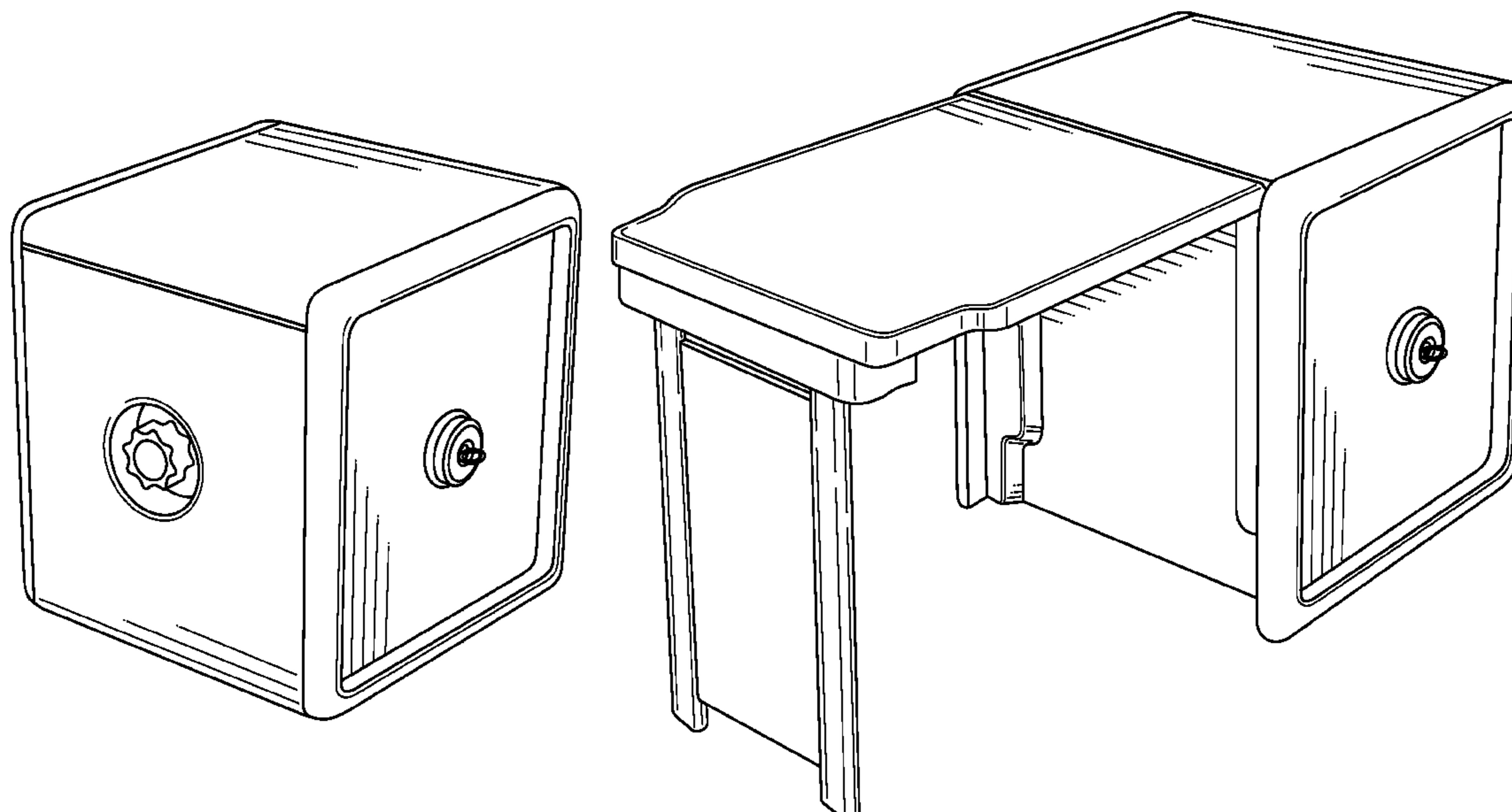


Fig. 1

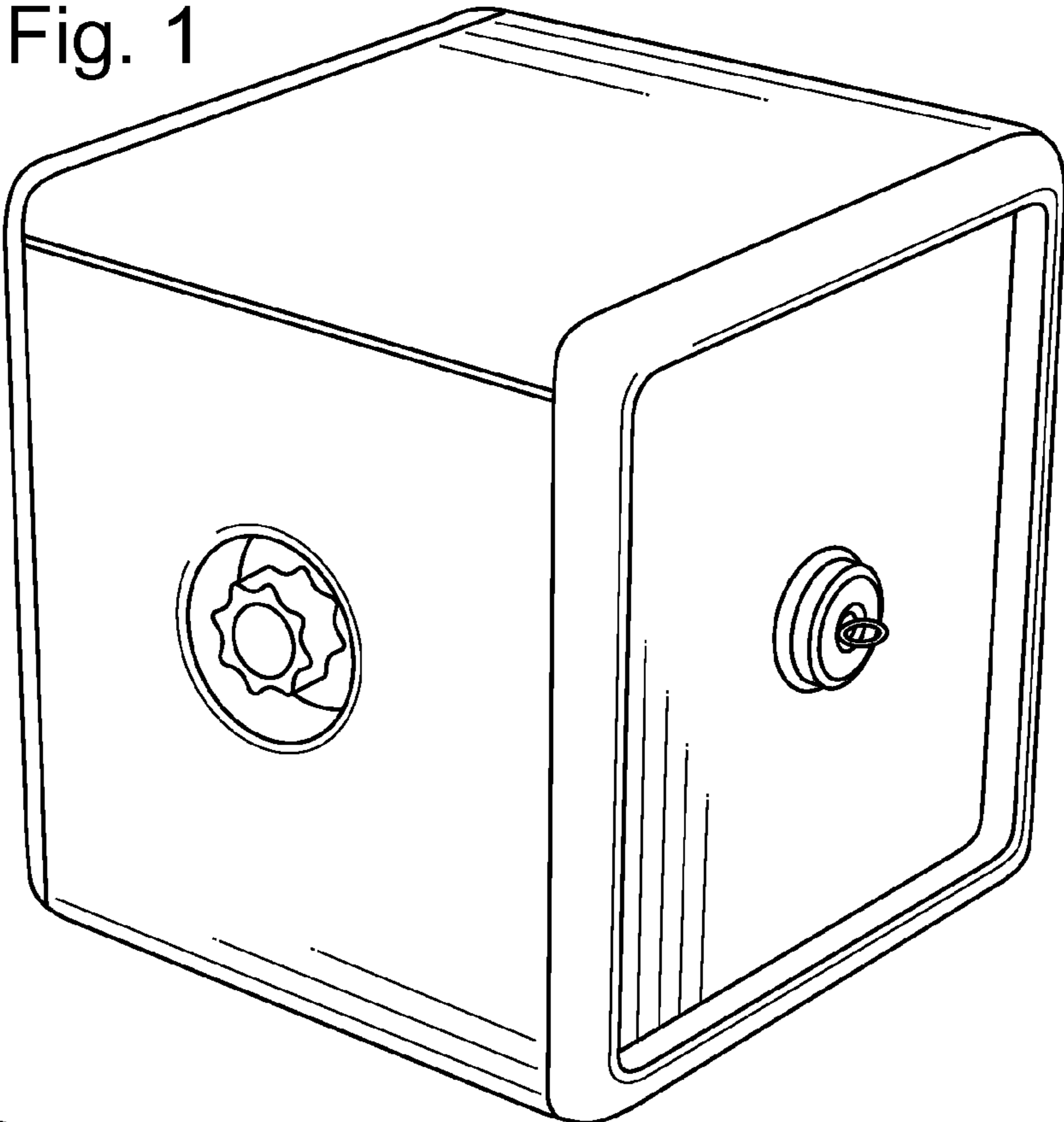
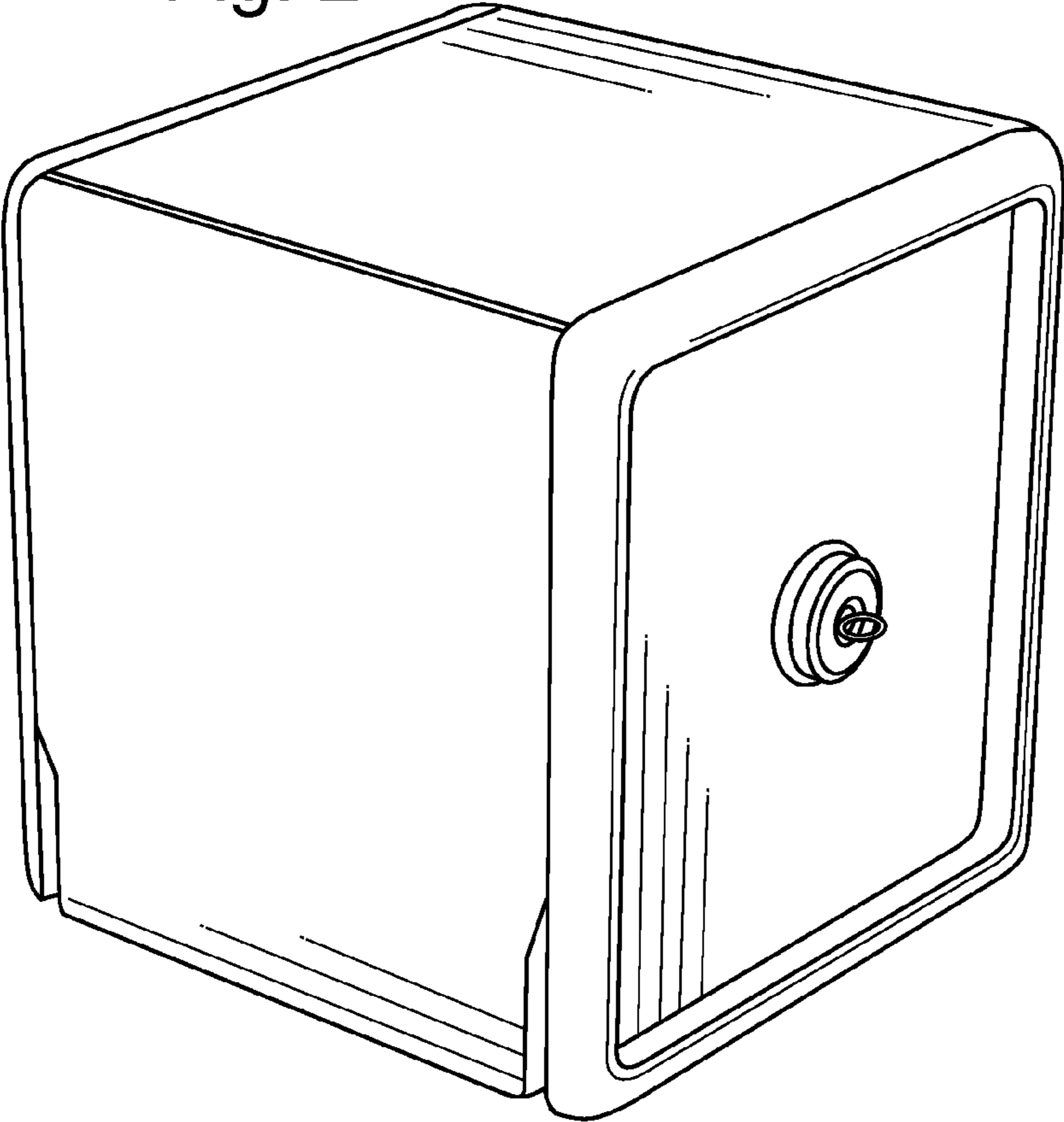


Fig. 2



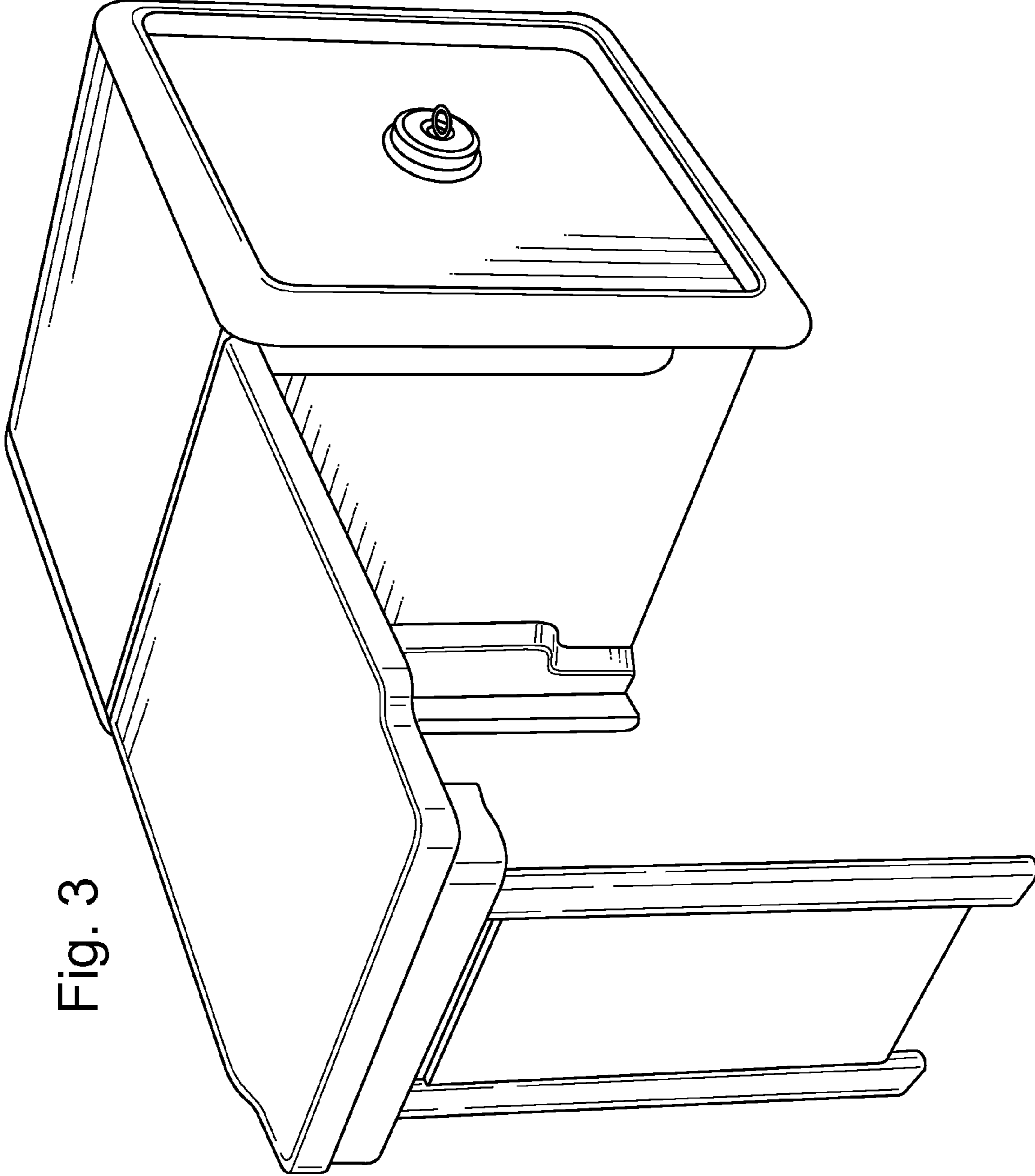


Fig. 3

Fig. 4

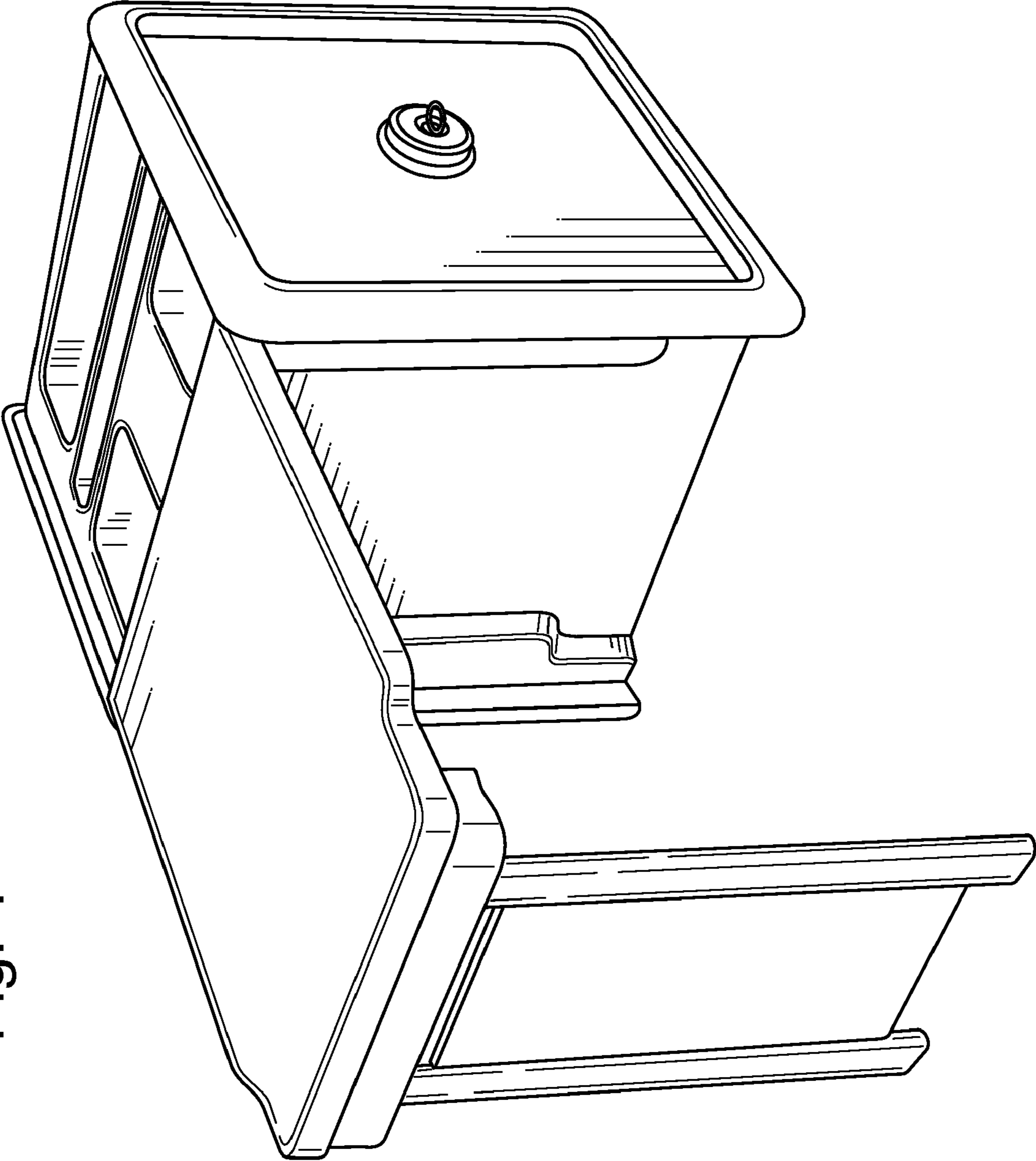


Fig. 5

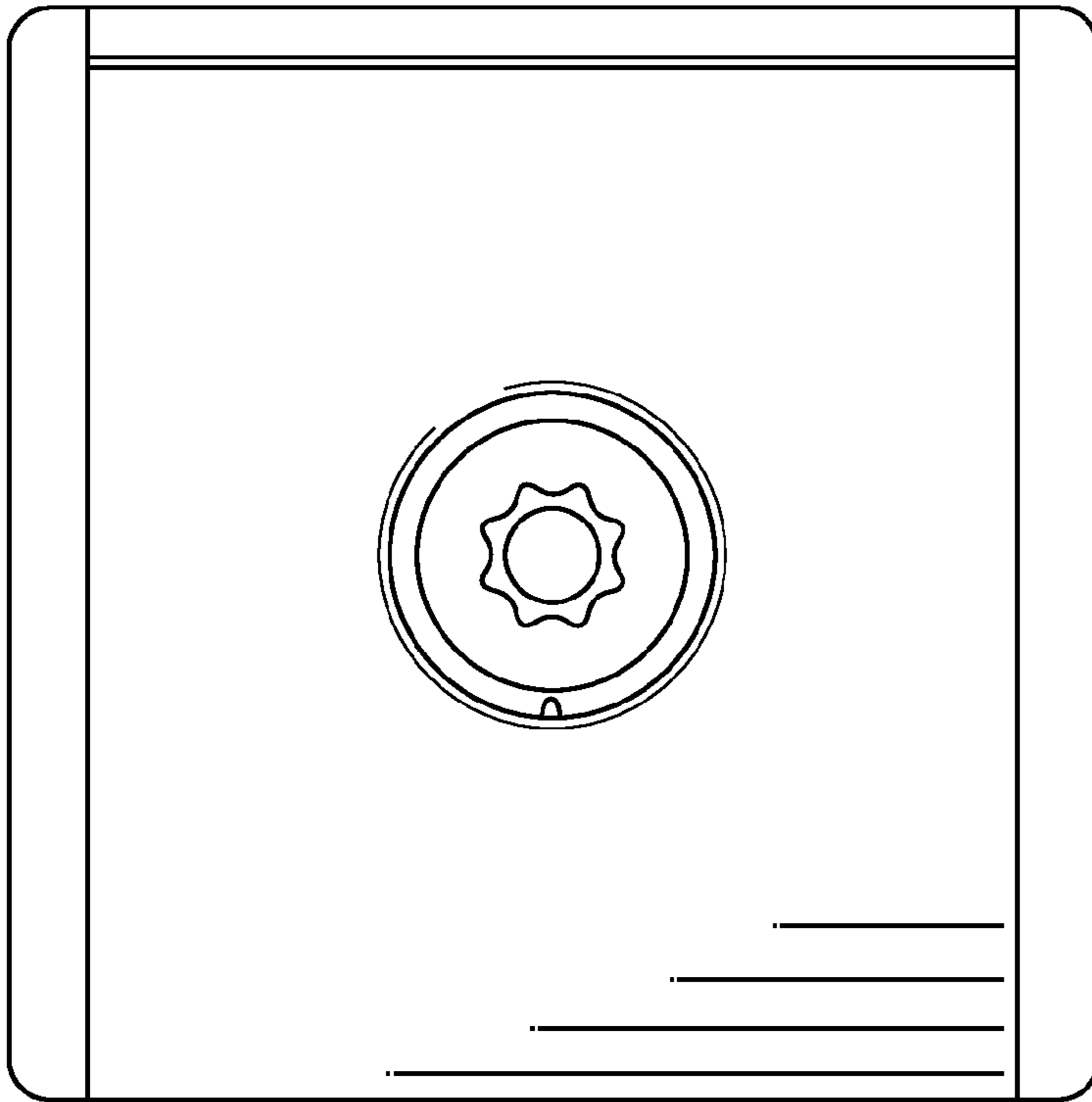


Fig. 6

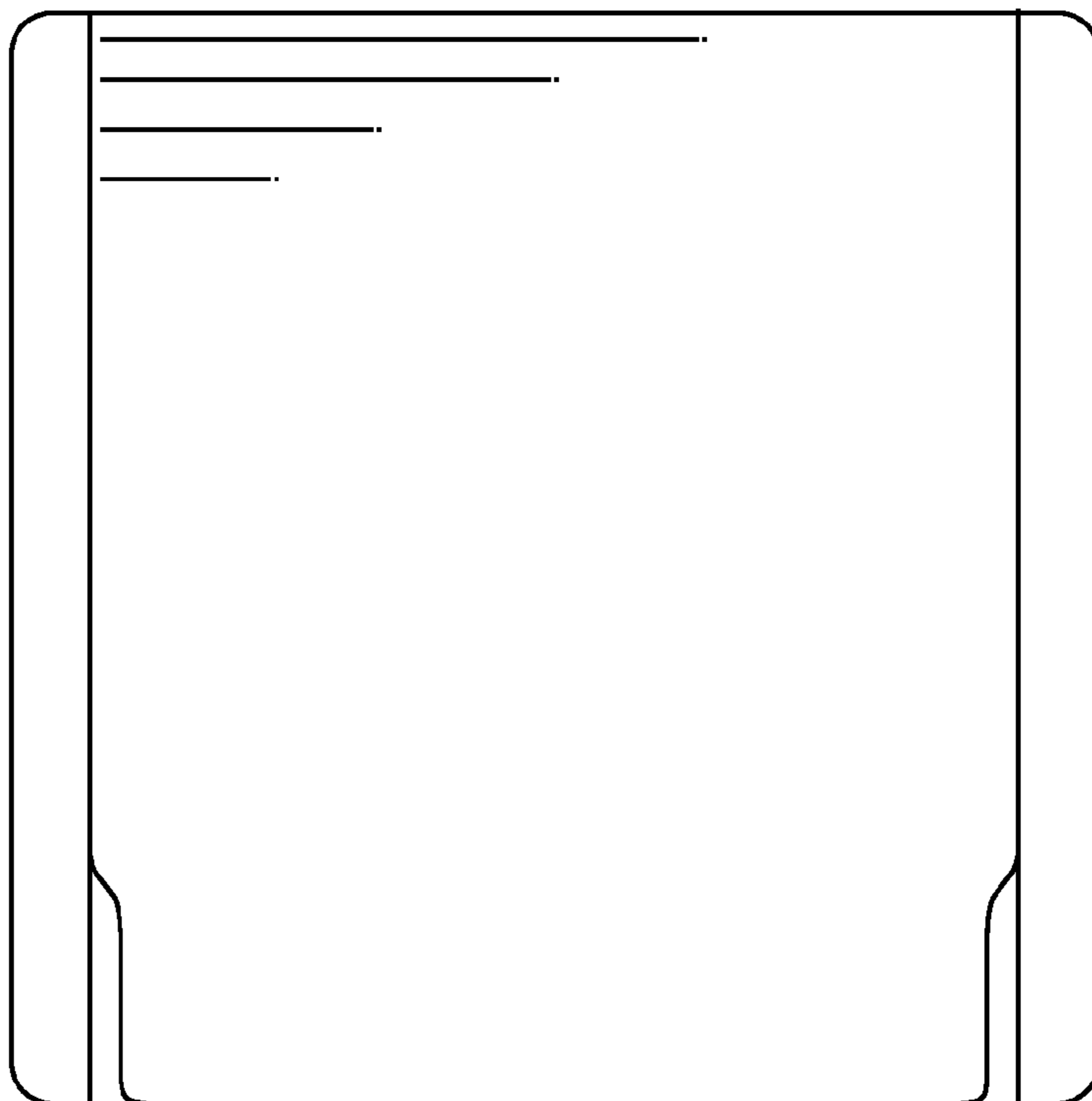


Fig. 7

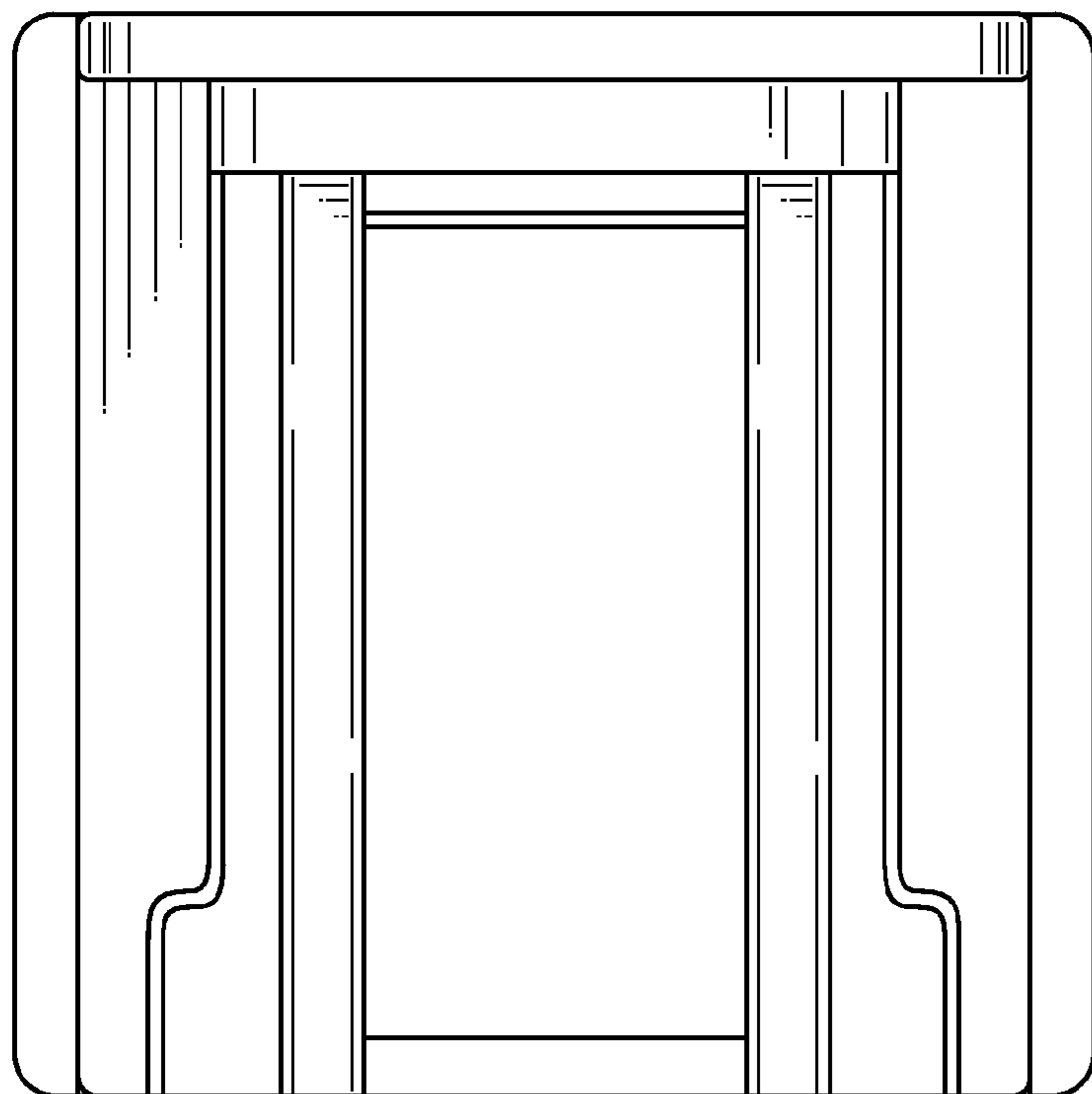


Fig. 8

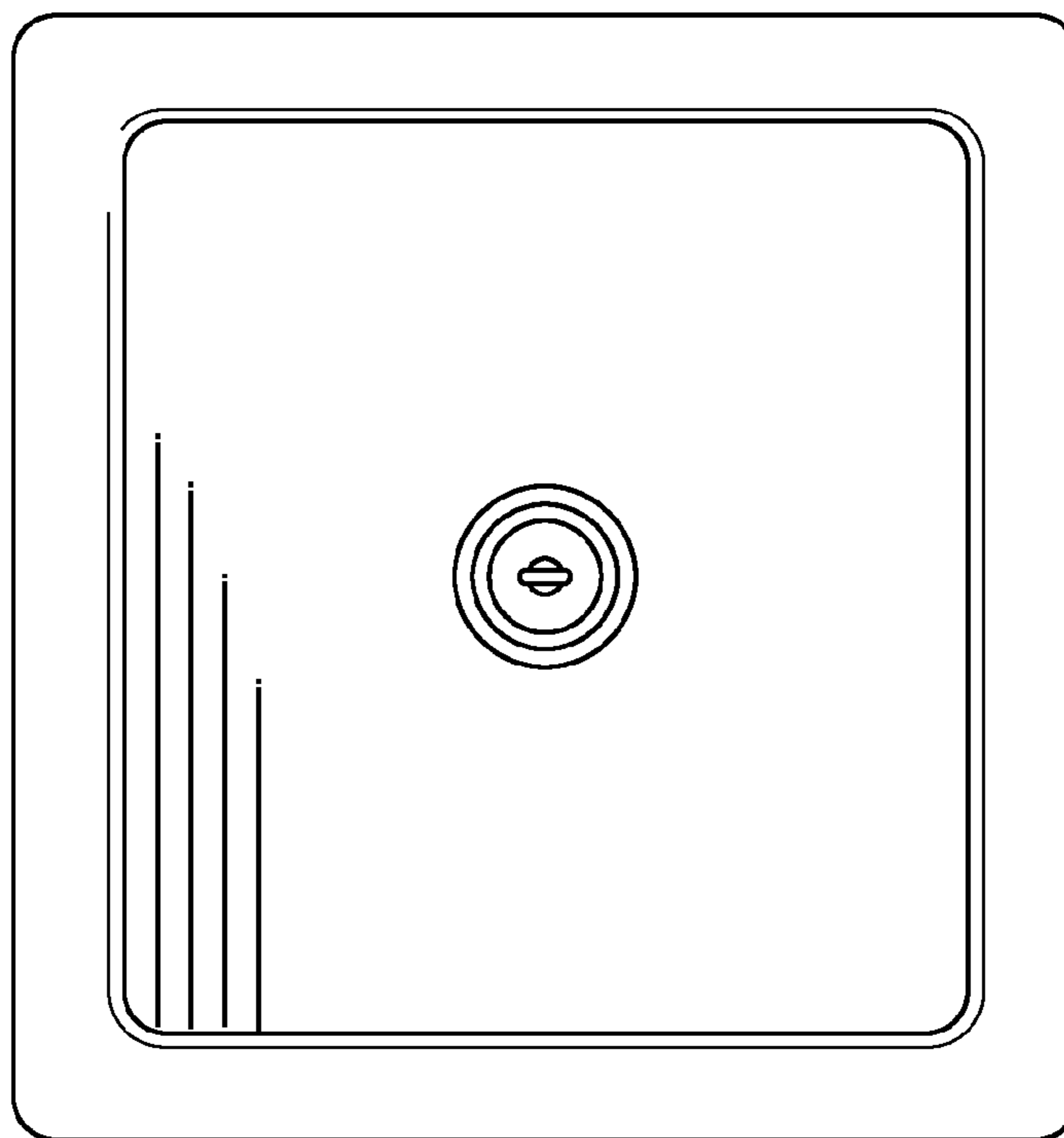


Fig. 9

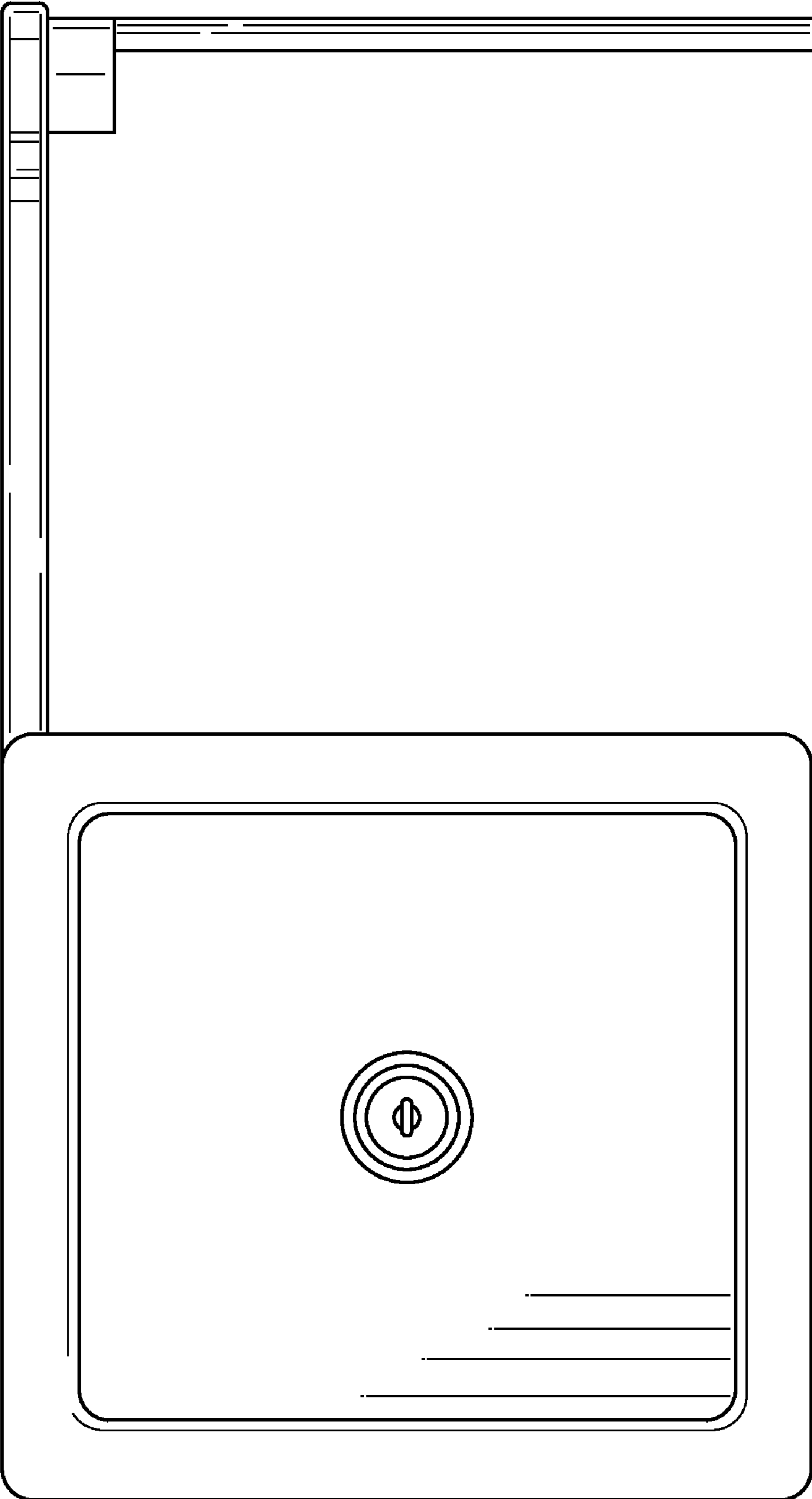


Fig. 10

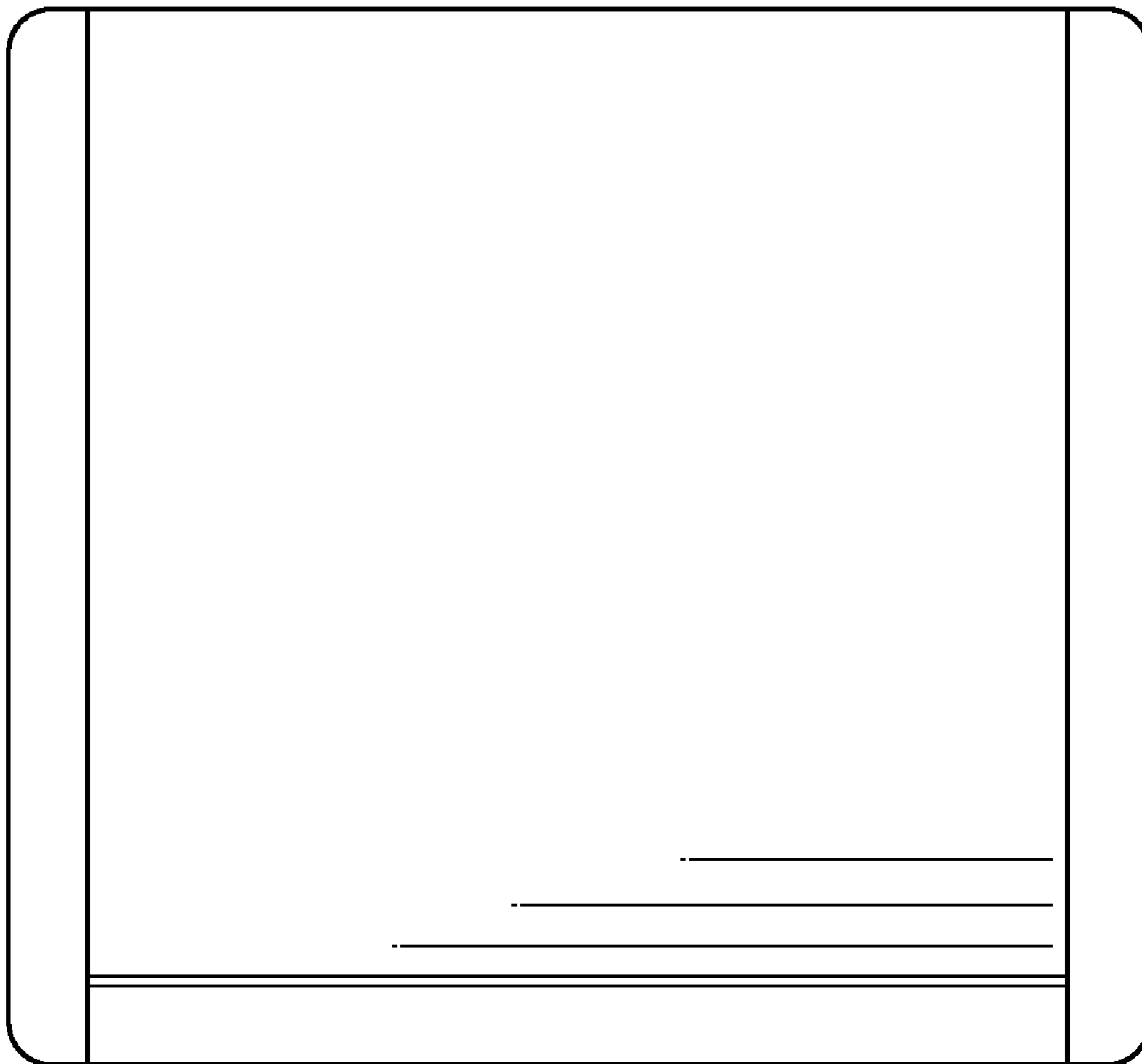


Fig. 11

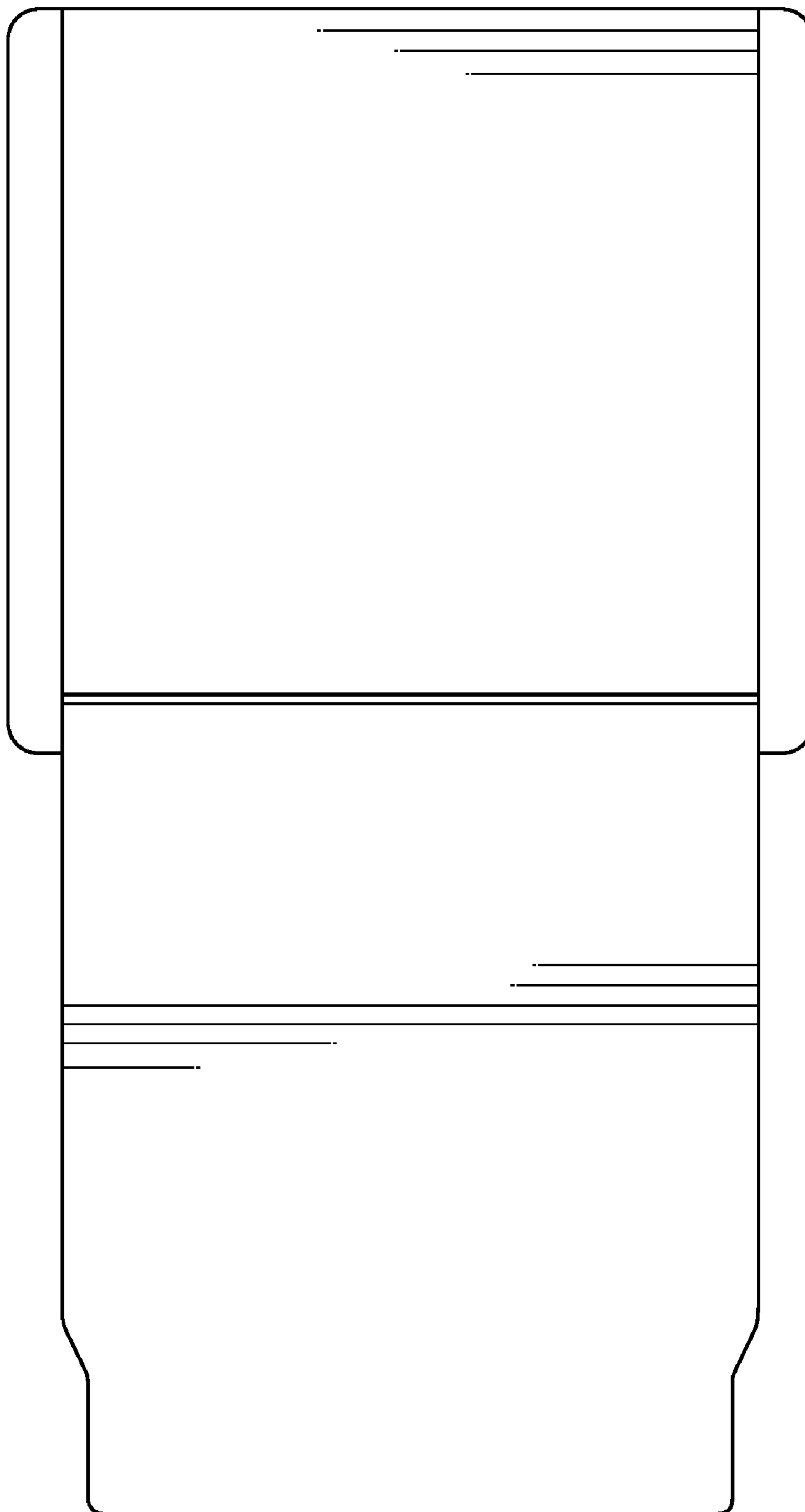


Fig. 12

