



US00D627012S

(12) **United States Design Patent**  
**Wu**

(10) **Patent No.:** **US D627,012 S**  
(45) **Date of Patent:** **\*\* Nov. 9, 2010**

(54) **VIBRATION TRAINER**

(76) Inventor: **Mu-Chuan Wu**, No. 462-7, Chung-Shan Rd., Hsi-Kang Chun, Hsi-Kang Hsiang, Tainan Hsien (TW)

(\*\*) Term: **14 Years**

(21) Appl. No.: **29/342,080**

(22) Filed: **Aug. 18, 2009**

(51) **LOC (9) Cl.** ..... **21-02**

(52) **U.S. Cl.** ..... **D21/662**

(58) **Field of Classification Search** ..... D21/662,  
D21/668, 671, 686, 688, 689; D24/200,  
D24/215; 601/23, 49, 51, 66, 70, 90; 482/27,  
482/51, 145, 146, 91

See application file for complete search history.

(56) **References Cited**

**U.S. PATENT DOCUMENTS**

D500,100 S *	12/2004	van der Meer	.....	D21/662
D561,273 S *	2/2008	Wu et al.	.....	D21/662
D571,416 S *	6/2008	Wu	.....	D21/662
D574,900 S *	8/2008	Meile Marcel Tamminga ..	D21/662	
D586,867 S *	2/2009	Wu	.....	D21/662
D591,366 S *	4/2009	Decommer	.....	D21/662
7,530,960 B2 *	5/2009	Cook	.....	601/46
D596,247 S *	7/2009	Wu	.....	D21/694

D599,862 S *	9/2009	Decommer	.....	D21/662
D601,211 S *	9/2009	Wu	.....	D21/686
D602,540 S *	10/2009	Minter	.....	D21/662
2007/0239088 A1 *	10/2007	Wu	.....	601/49
2009/0247914 A1 *	10/2009	Shen et al.	.....	601/49

\* cited by examiner

*Primary Examiner*—Susan E Krakower

(74) *Attorney, Agent, or Firm*—Muncy, Geissler, Olds & Lowe, PLLC

(57) **CLAIM**

The ornamental design for a vibration trainer, as shown and described.

**DESCRIPTION**

FIG. 1 is a perspective view of a vibration trainer, showing my new design;

FIG. 2 is a front view thereof;

FIG. 3 is a rear view thereof;

FIG. 4 is a left view thereof;

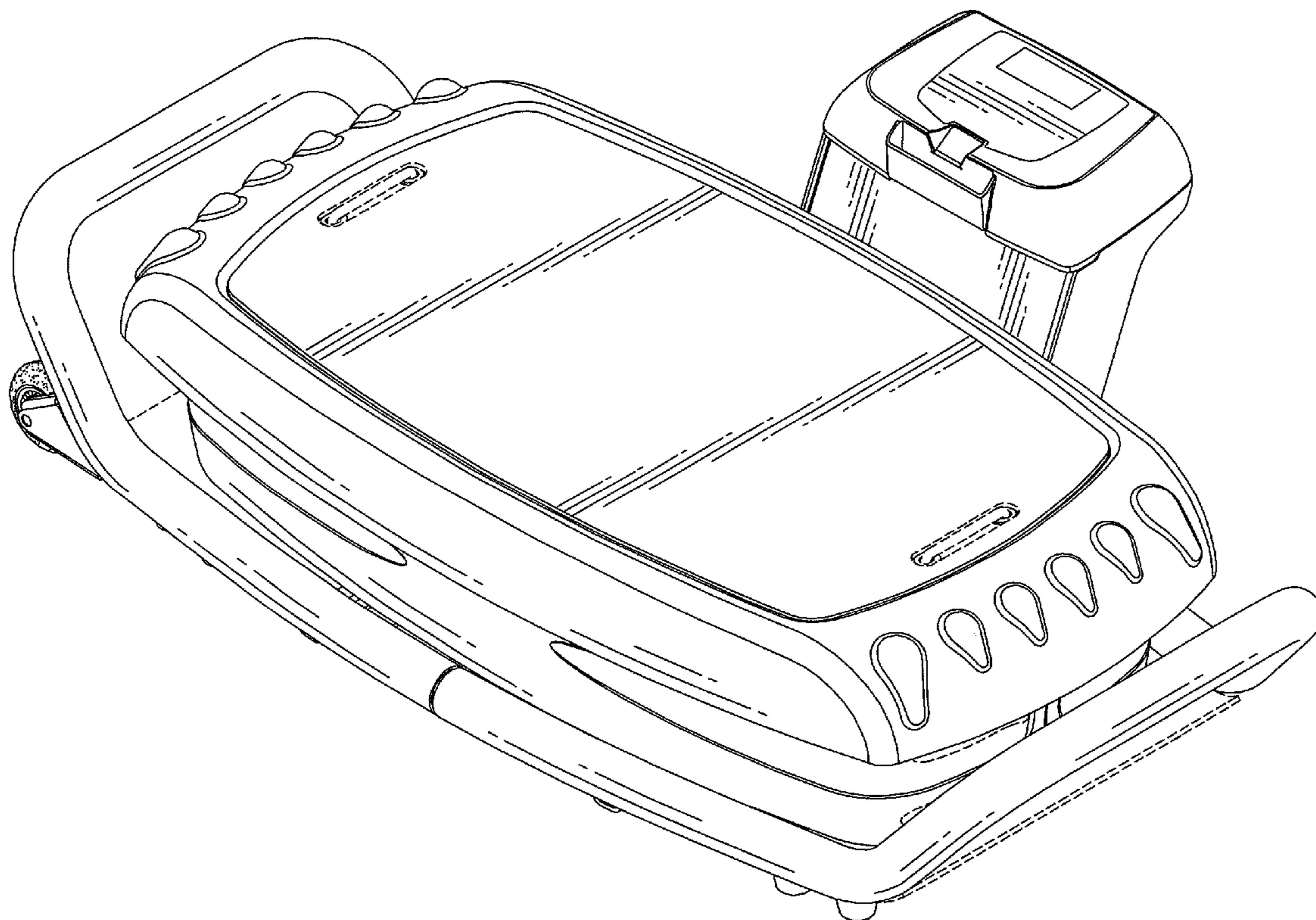
FIG. 5 is a right view thereof;

FIG. 6 is a top view thereof; and,

FIG. 7 is a bottom view thereof.

The broken lines illustrate portions of the vibration trainer which form no part of the claimed design.

**1 Claim, 5 Drawing Sheets**



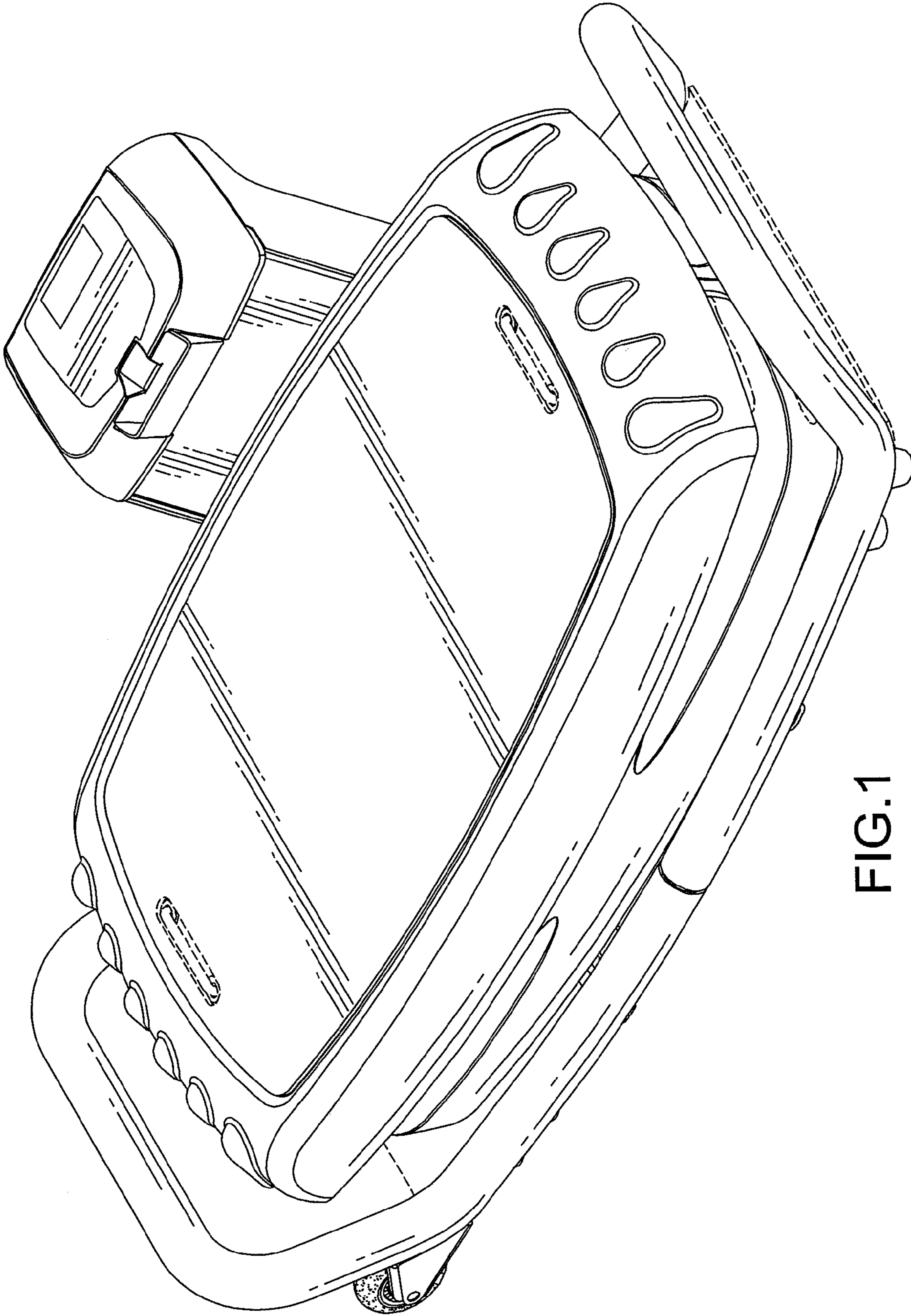


FIG.1



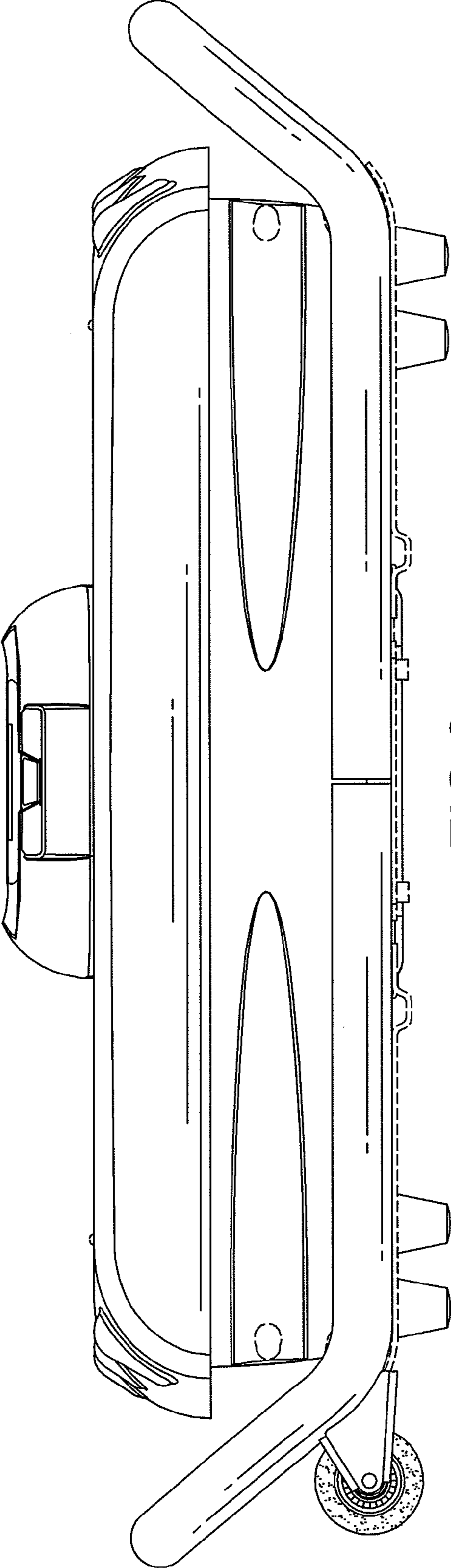


FIG. 2

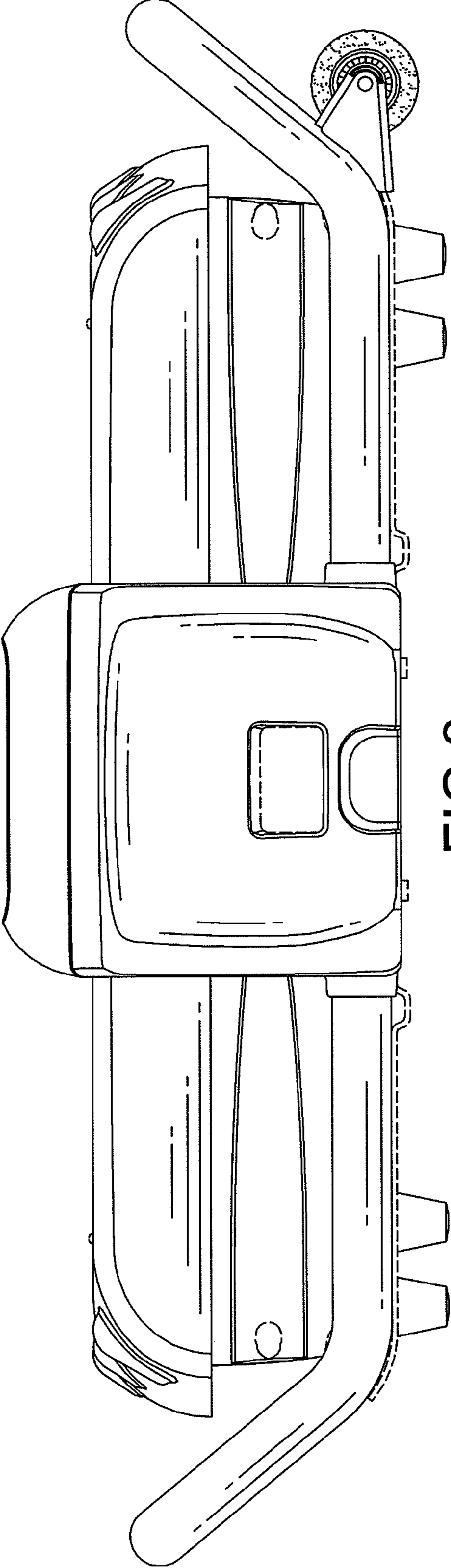


FIG. 3

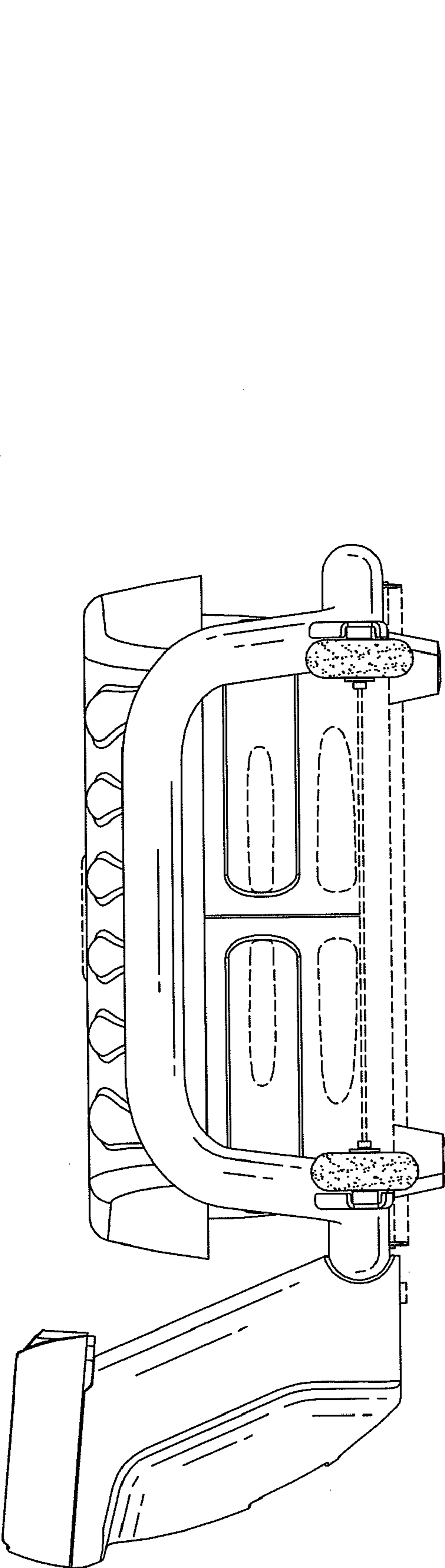


FIG.4

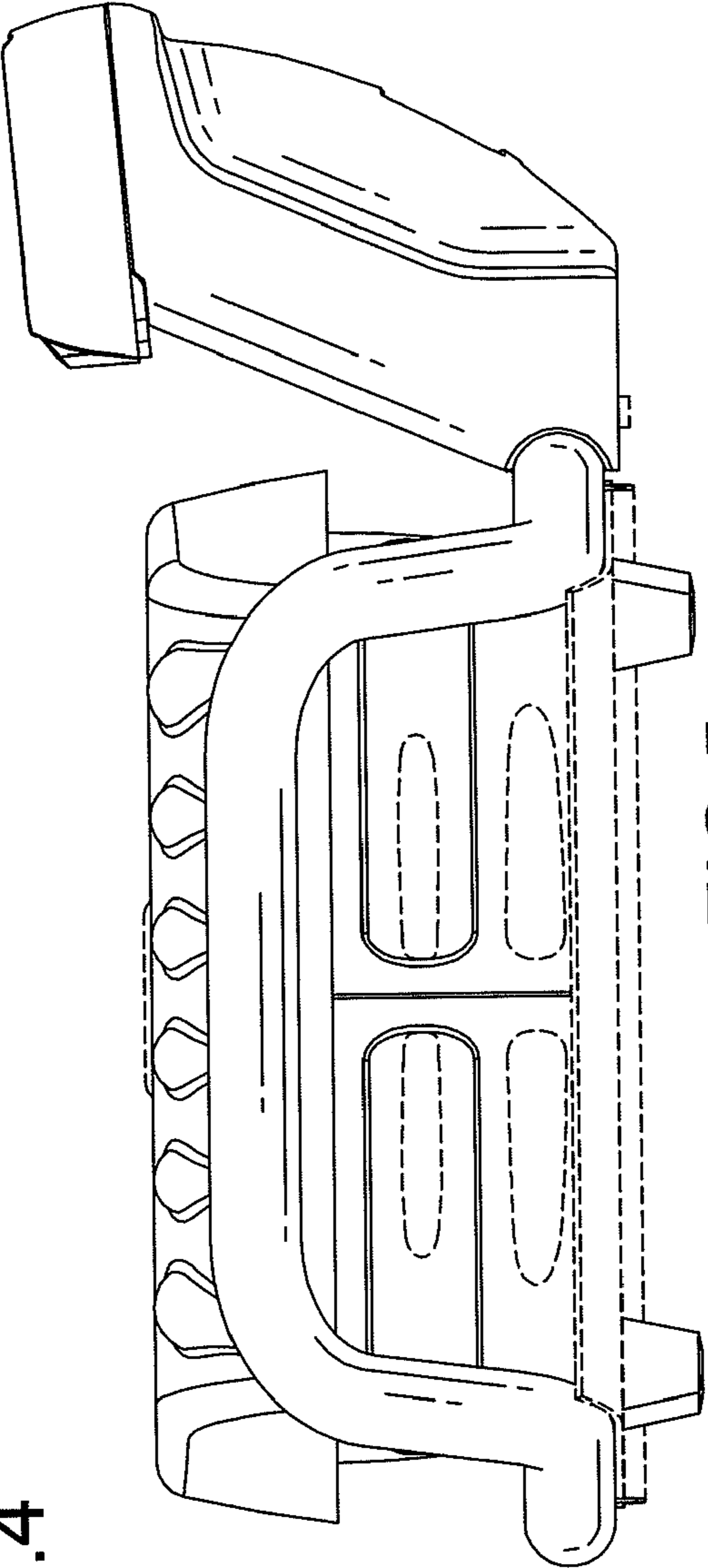


FIG.5

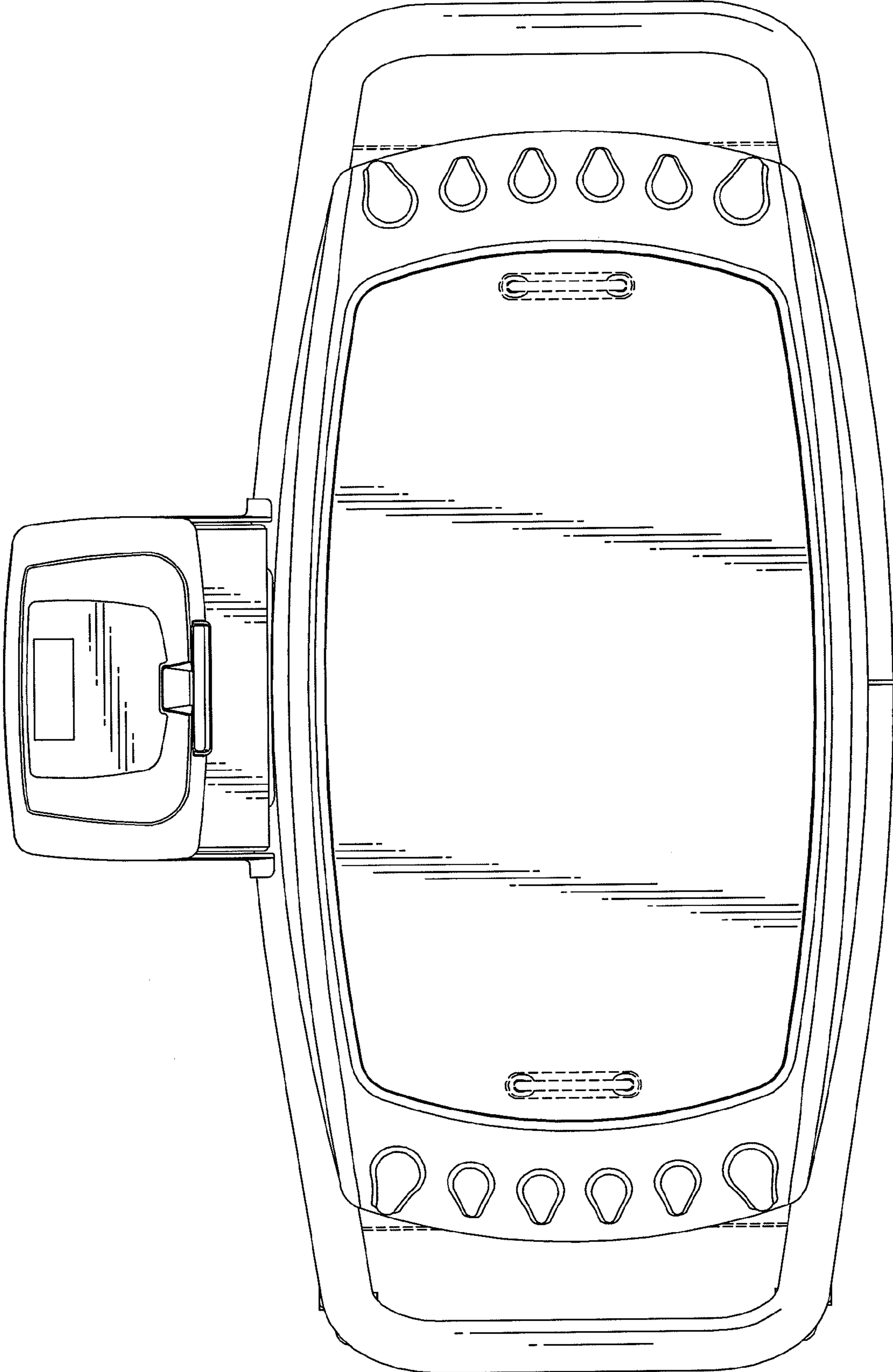


FIG.6

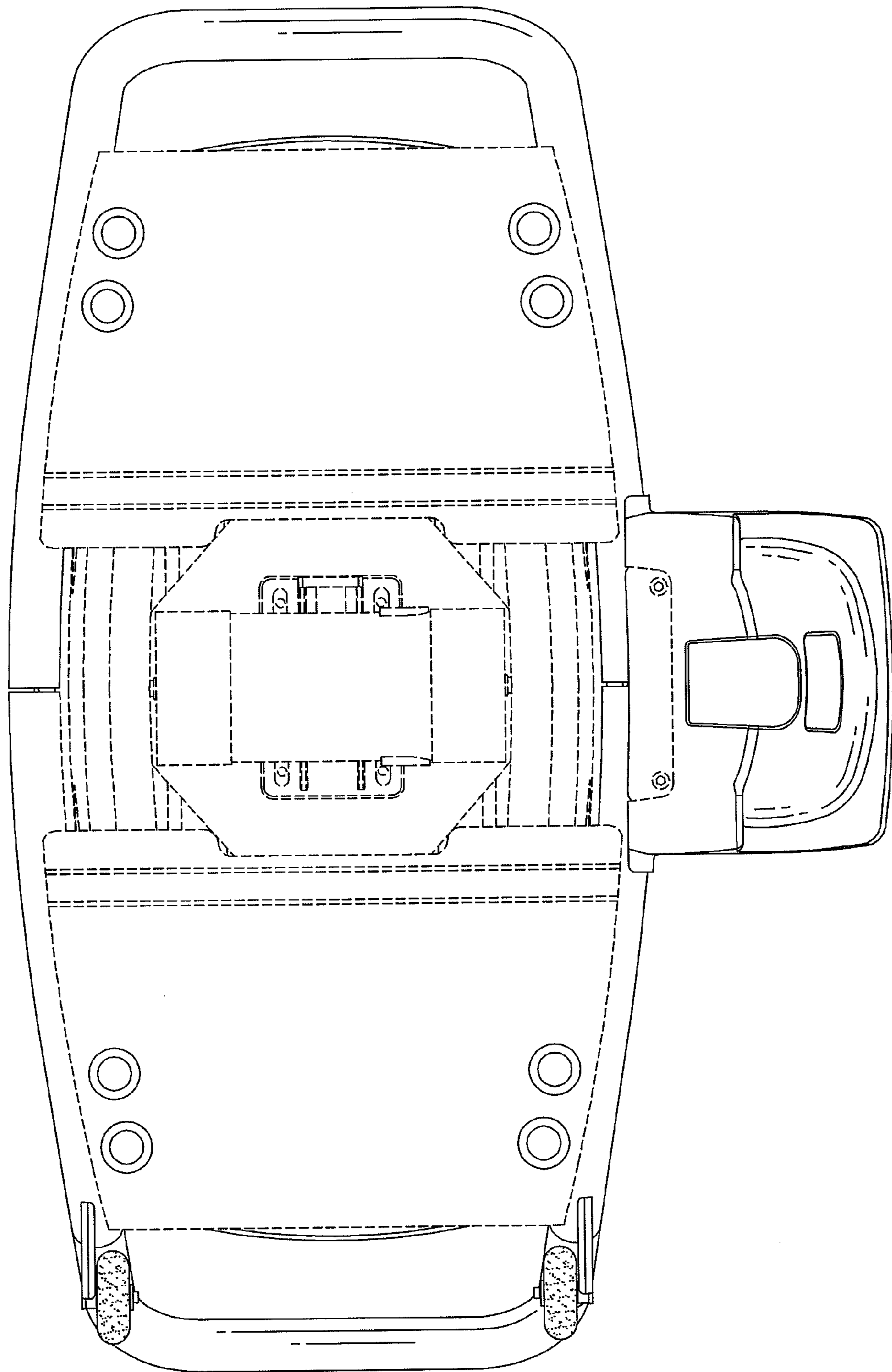


FIG.7