



US00D627011S

(12) **United States Design Patent**
Potok

(10) **Patent No.:** **US D627,011 S**

(45) **Date of Patent:** **** Nov. 9, 2010**

(54) **EXERCISE APPARATUS FOR PERFORMING AN ARMLESS PUSH-UP**

7,645,218 B2 * 1/2010 Potok 482/141
2005/0215401 A1 * 9/2005 Wilson et al. 482/141

(76) Inventor: **Paul S. Potok**, 45 Emlyn La.,
Mechanicsburg, PA (US) 17055

* cited by examiner

Primary Examiner—Susan E Krakower
(74) *Attorney, Agent, or Firm*—Pepper Hamilton LLP

(**) Term: **14 Years**

(21) Appl. No.: **29/337,696**

(57) **CLAIM**

(22) Filed: **May 28, 2009**

The ornamental design for an exercise apparatus for performing an armless push-up, substantially as shown and described.

(51) **LOC (9) Cl.** **21-02**

(52) **U.S. Cl.** **D21/662**

(58) **Field of Classification Search** D21/662,
D21/668, 670, 672–674, 685, 686; 482/70–71,
482/79, 121, 130–131, 141, 147
See application file for complete search history.

DESCRIPTION

FIG. 1 is a front and side perspective view of an exercise apparatus for performing an armless push-up, showing my new design;

FIG. 2 is a rear perspective view of the exercise apparatus;

FIG. 3 is a rear and side perspective view of the exercise apparatus;

FIG. 4 is a side perspective view of the exercise apparatus;

FIG. 5 is a top plan view of the exercise apparatus;

FIG. 6 is a bottom plan view of the exercise apparatus; and,

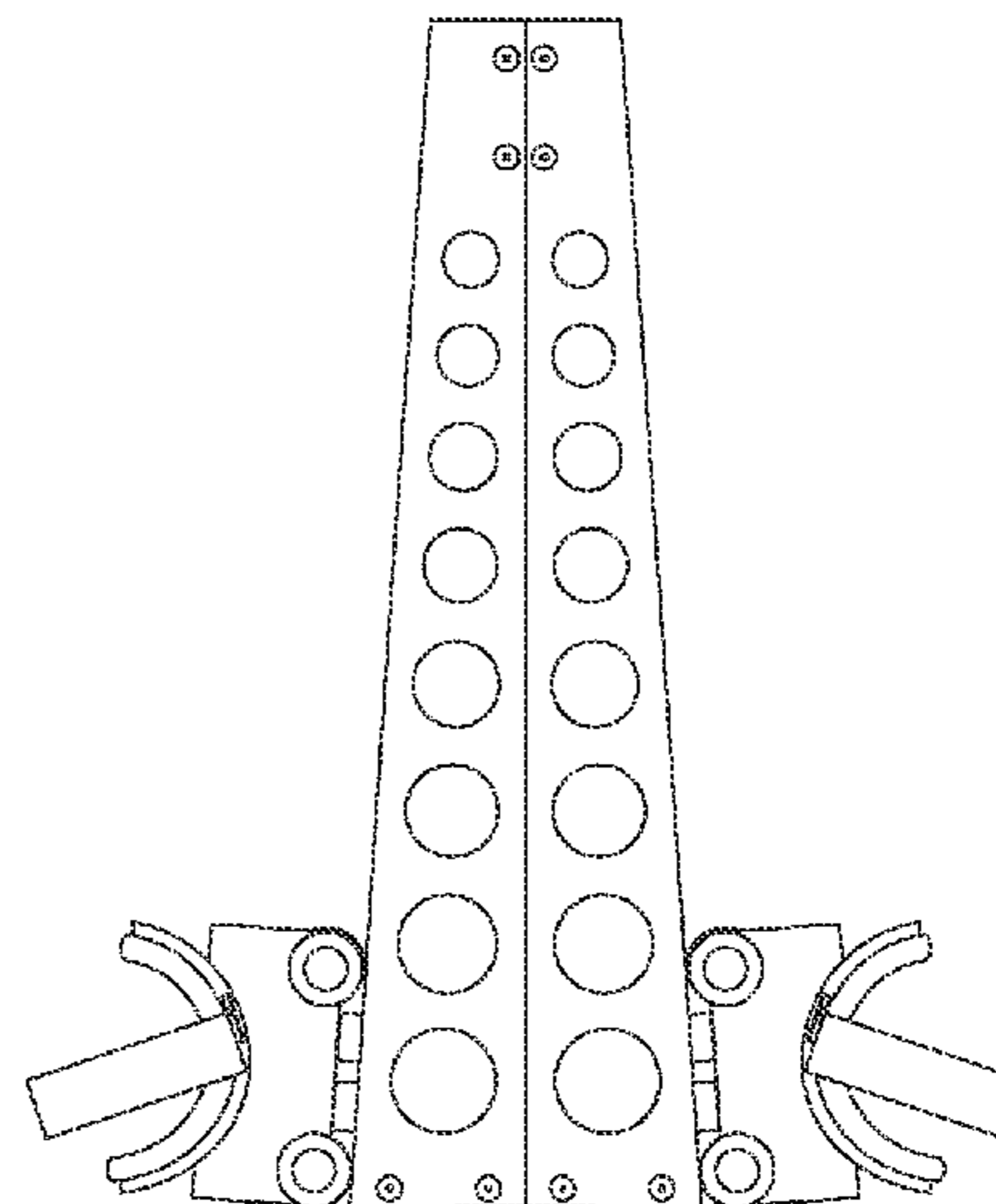
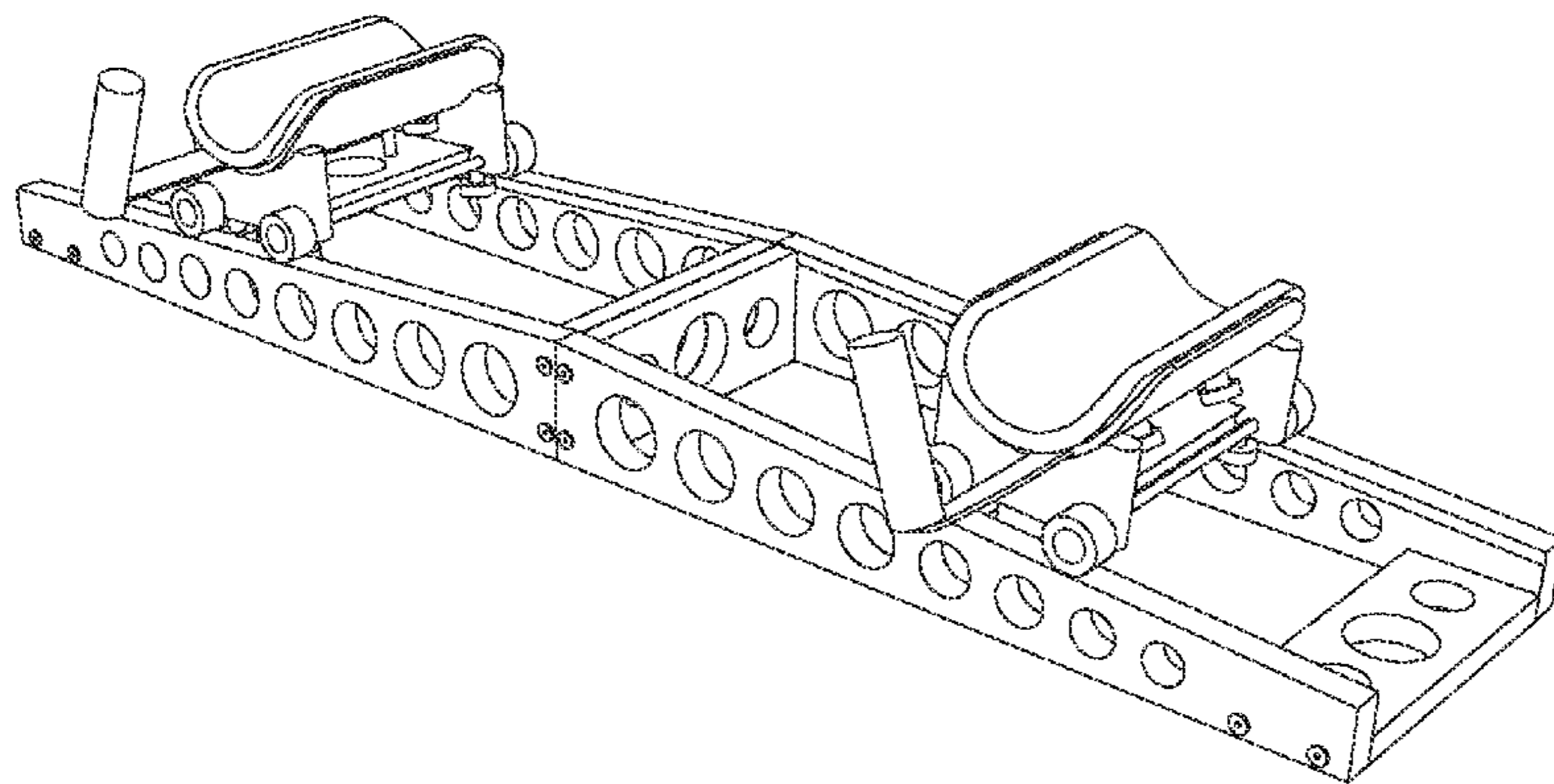
FIG. 7 is a front elevational view of the exercise apparatus, shown in a folded condition about a midpoint.

(56) **References Cited**

U.S. PATENT DOCUMENTS

4,111,417	A *	9/1978	Gardner	482/128
5,643,162	A *	7/1997	Landers et al.	482/131
6,186,930	B1 *	2/2001	Ignaczak	482/141
6,716,145	B1 *	4/2004	Manailovich	482/141
7,125,367	B1 *	10/2006	Stearns	482/141
7,134,987	B2 *	11/2006	Goldstein	482/141
D579,503	S	10/2008	Hauser et al.		

1 Claim, 4 Drawing Sheets



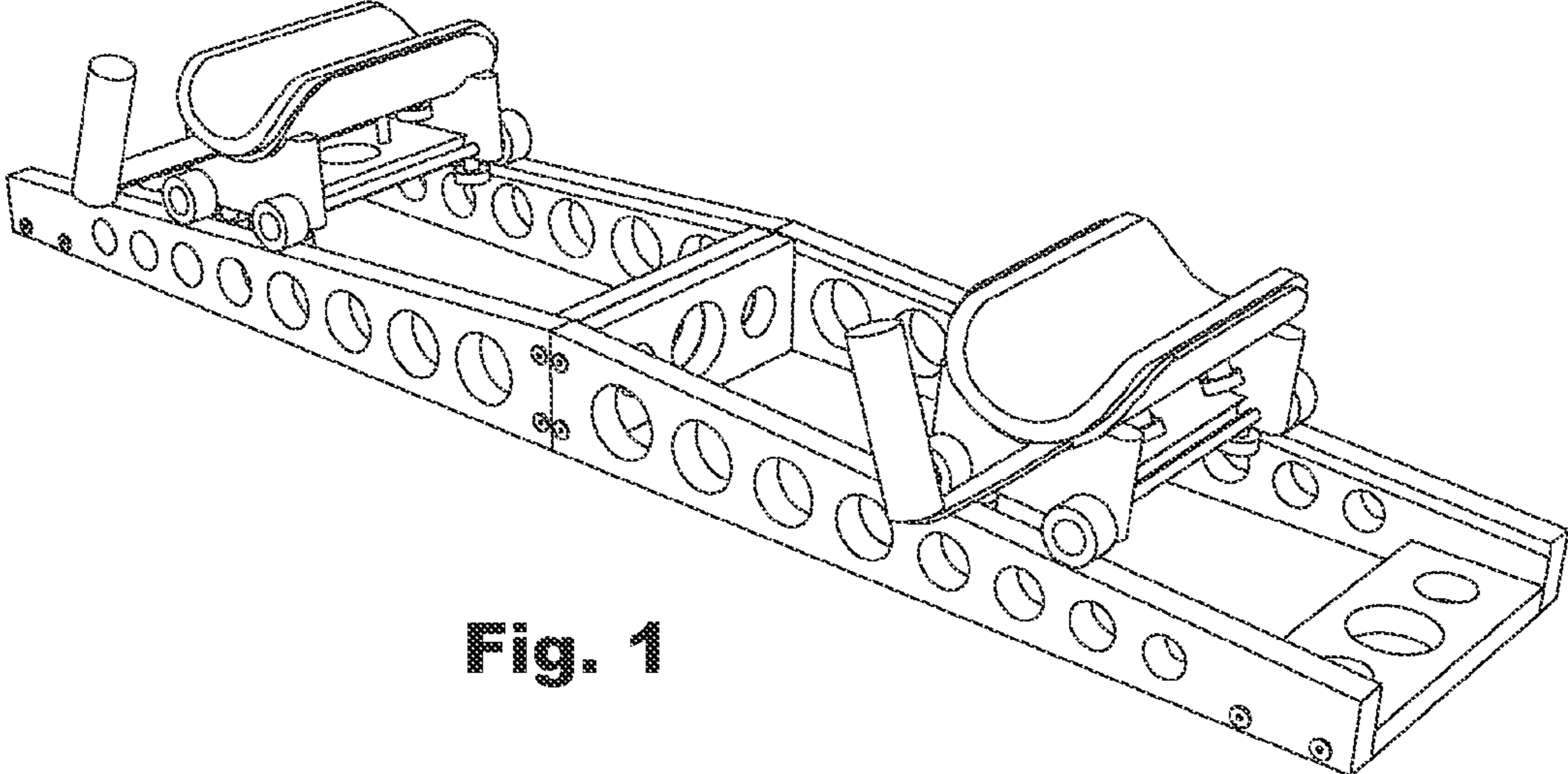


Fig. 1

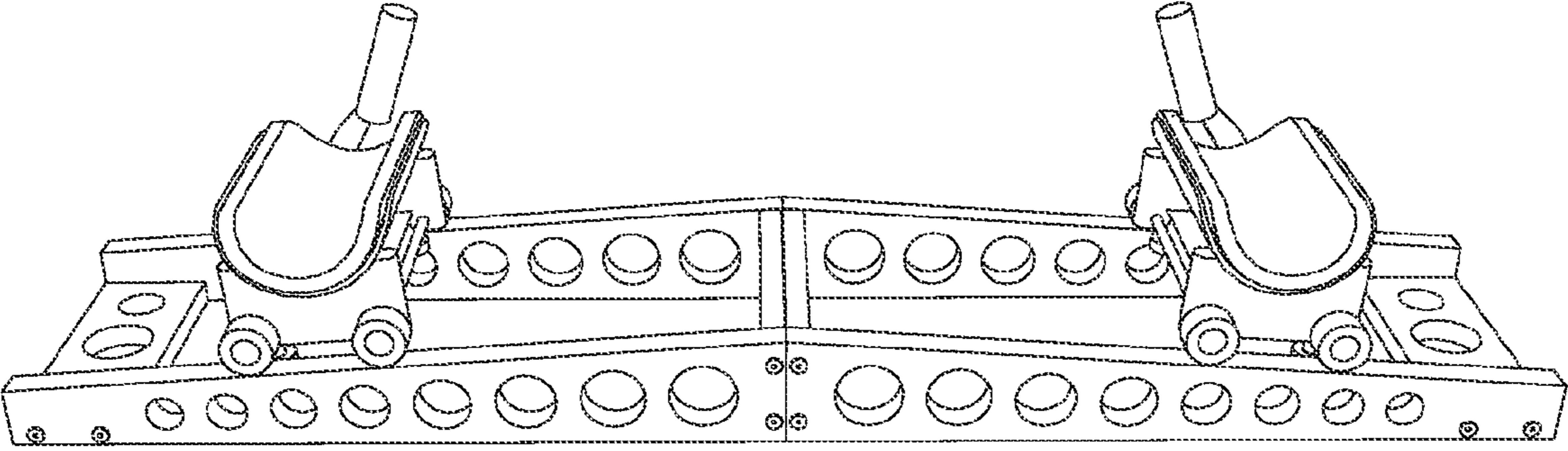


Fig. 2

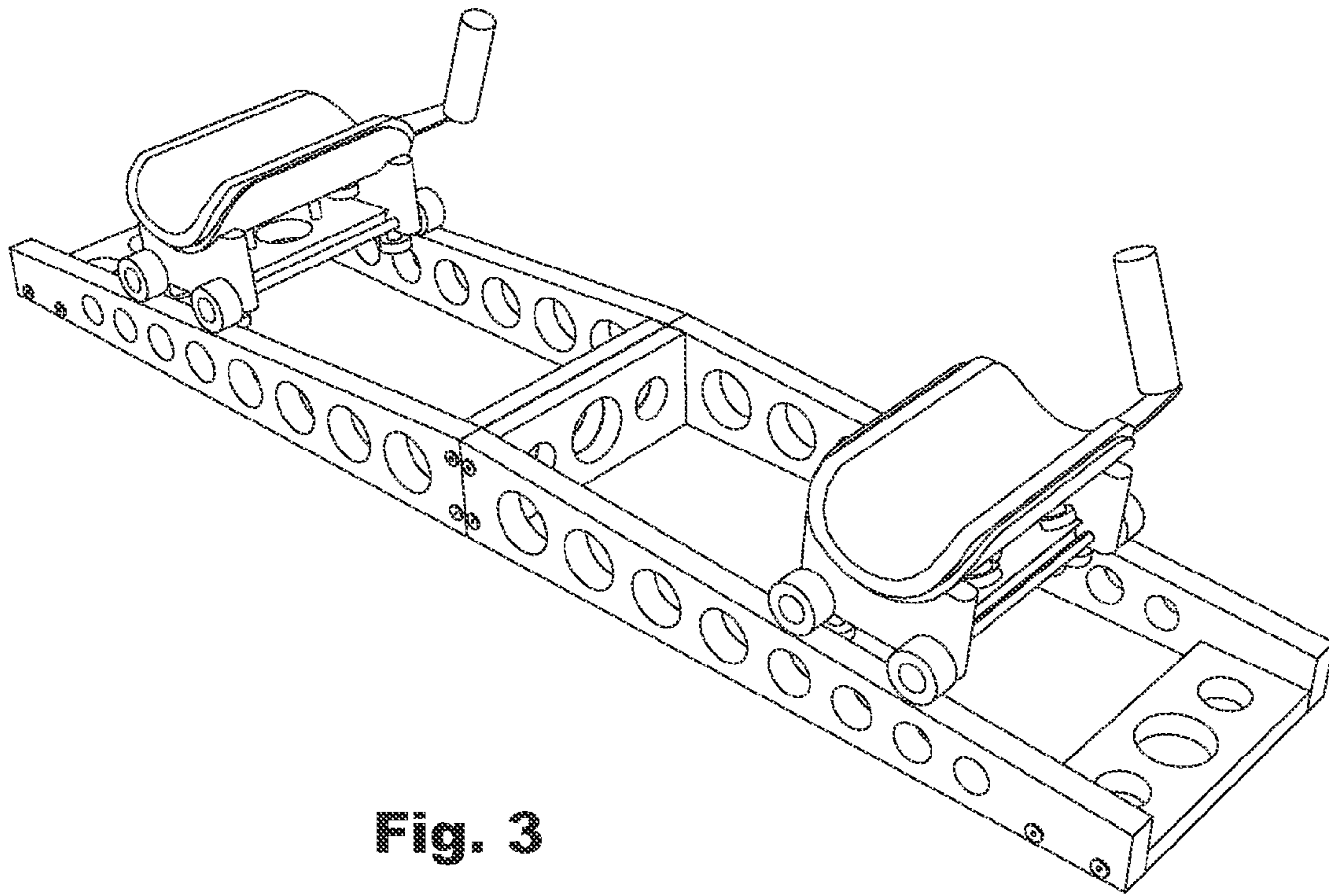


Fig. 3

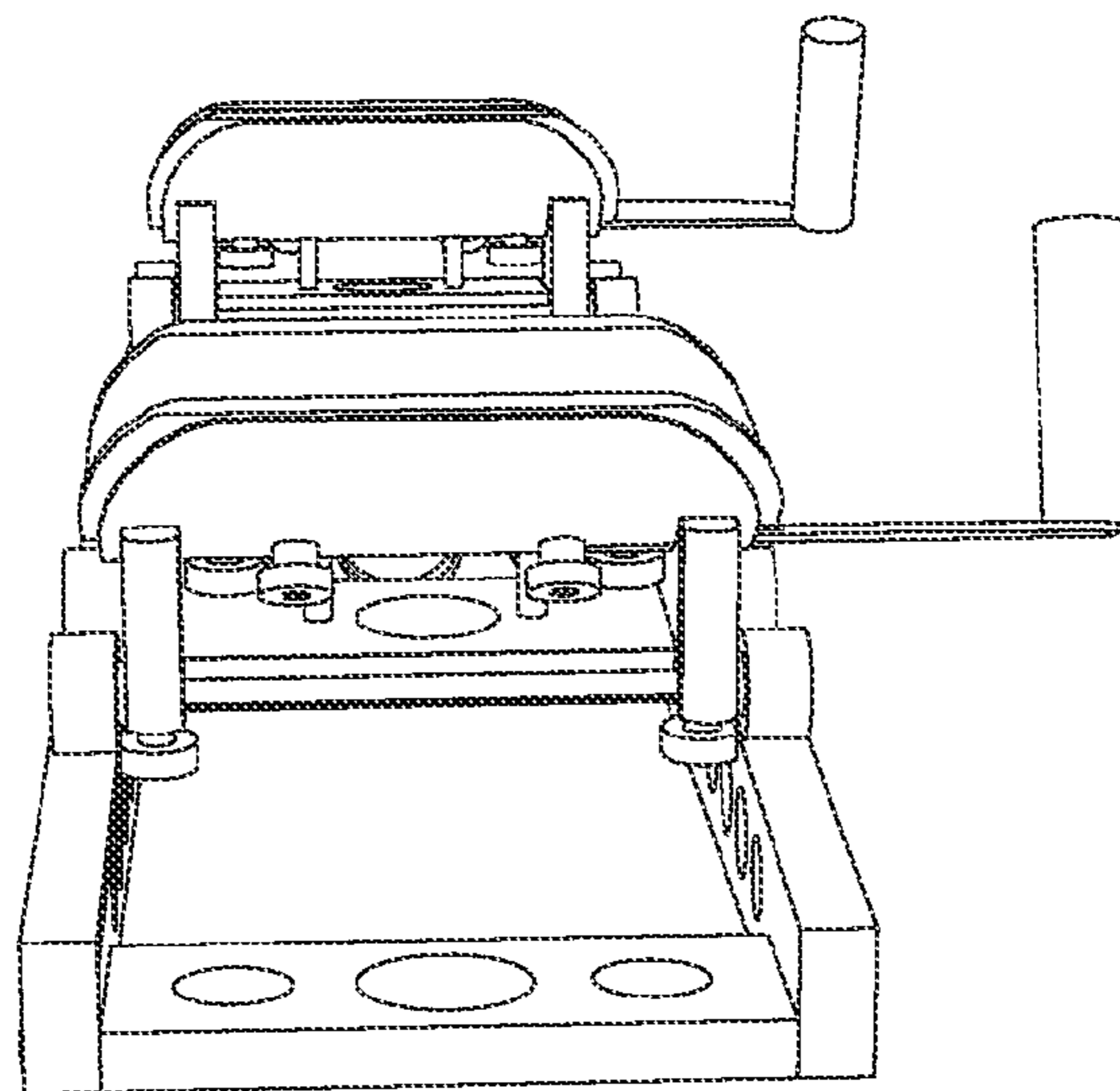


Fig. 4

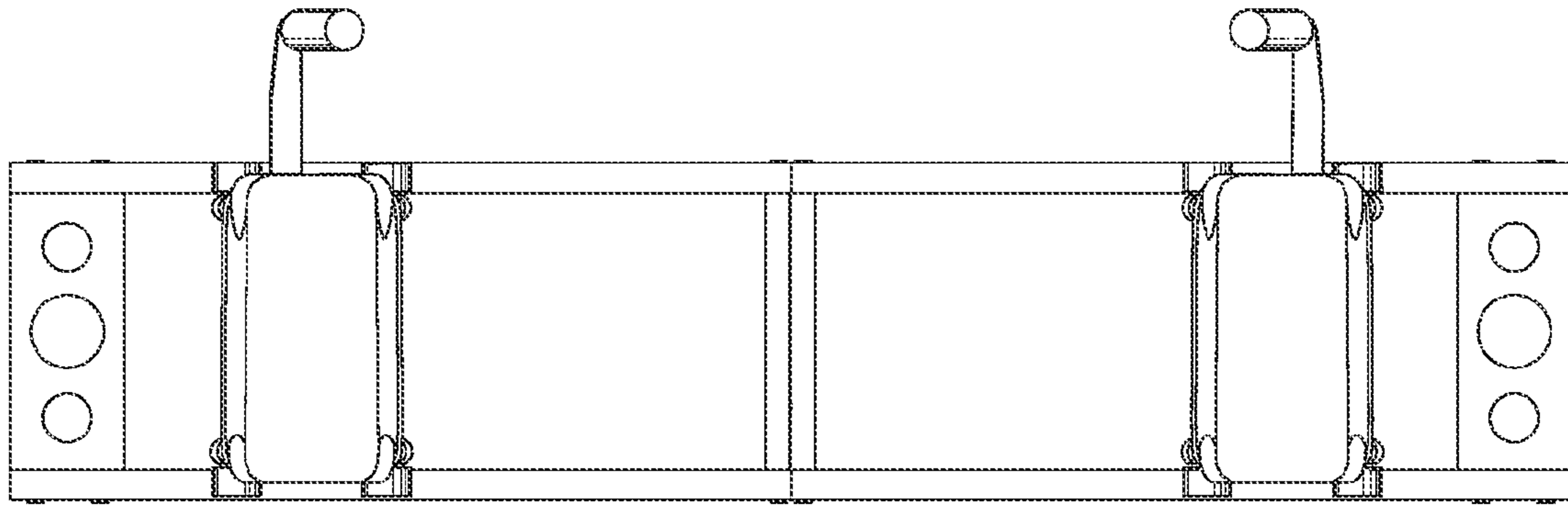


Fig. 5

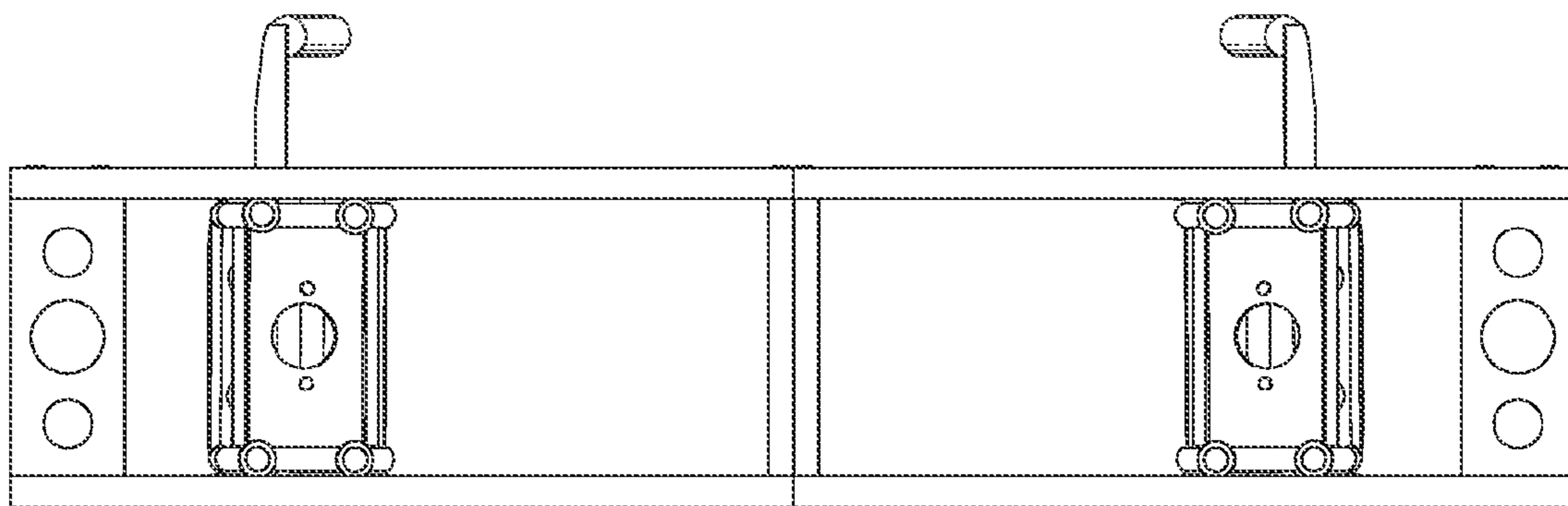


Fig. 6

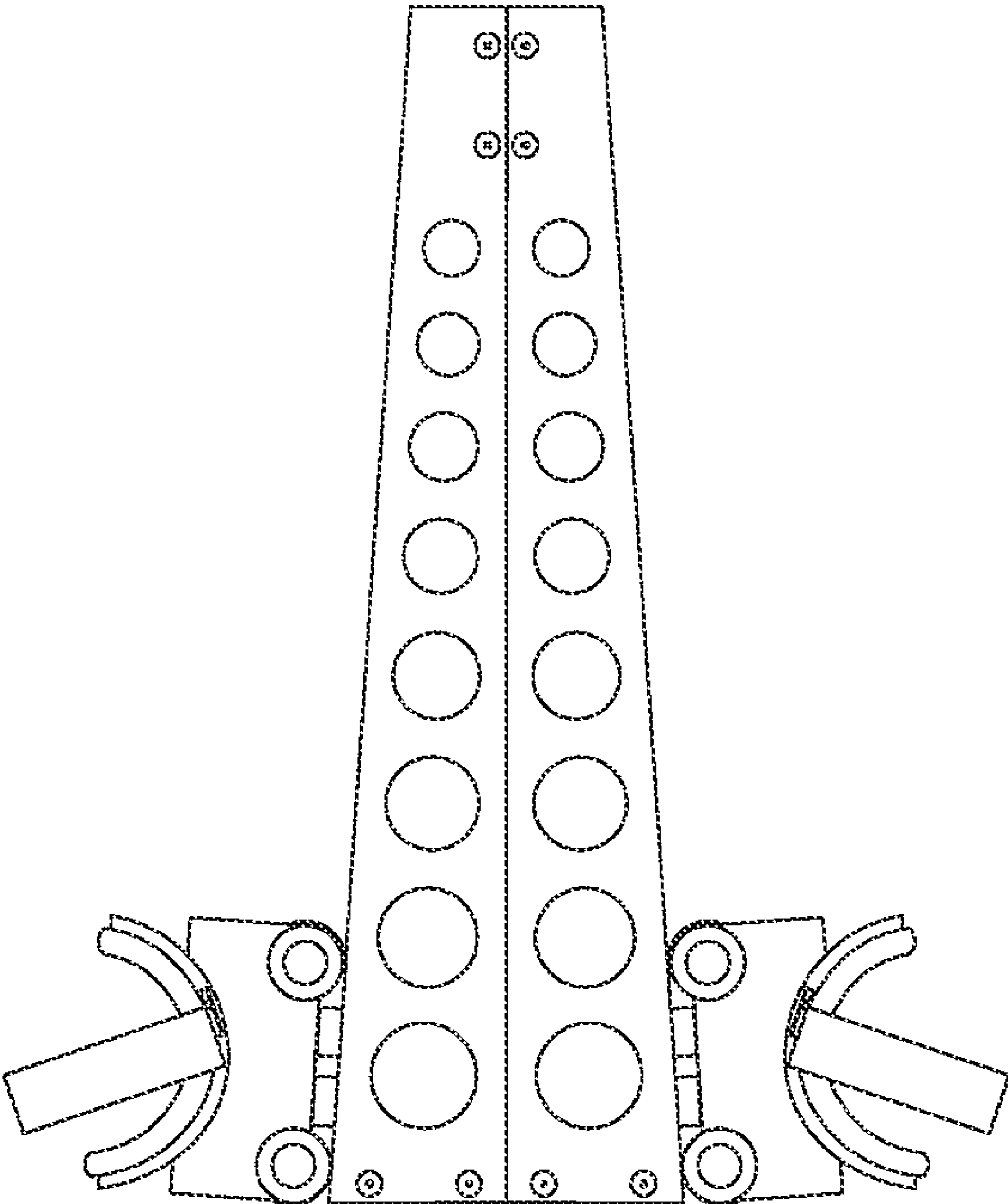


Fig. 7