



US00D627009S

(12) **United States Design Patent**  
**Lu**

(10) **Patent No.:** **US D627,009 S**  
(45) **Date of Patent:** **\*\* Nov. 9, 2010**

(54) **WALKER FOR A BABY**

D475,325 S \* 6/2003 Wu ..... D12/133  
D475,661 S \* 6/2003 Chuang ..... D12/130  
6,863,287 B2 \* 3/2005 Myers et al. .... 280/87.051

(75) Inventor: **Li-Wei Lu**, Taichung (TW)

(73) Assignee: **YEAR CHANCE Inc. Co., Ltd.**,  
Taichung (TW)

(\*\*) Term: **14 Years**

\* cited by examiner

*Primary Examiner*—Ian Simmons  
*Assistant Examiner*—Charles D Hanson

(74) *Attorney, Agent, or Firm*—Egbert Law Offices PLLC

(21) Appl. No.: **29/337,521**

(57) **CLAIM**

(22) Filed: **May 22, 2009**

The ornamental design for a walker for a baby, as shown and described.

(51) **LOC (9) Cl.** ..... **21-01**

(52) **U.S. Cl.** ..... **D21/419; D12/130; D21/412**

(58) **Field of Classification Search** ..... D12/128–133;  
280/62, 647–650, 29, 200, 47.38, 250.1,  
280/259, 642, 658; D21/419, 421, 423, 743,  
D21/765, 477, 433, 412

See application file for complete search history.

**DESCRIPTION**

FIG. 1 is an upper perspective view of the walker for a baby showing my design.

FIG. 2 is a front elevation view thereof;

FIG. 3 is back elevation view thereof;

FIG. 4 is a side elevation view thereof;

FIG. 5 is an opposite side elevation view thereof;

FIG. 6 is a top plan view thereof; and,

FIG. 7 is a bottom plan view thereof.

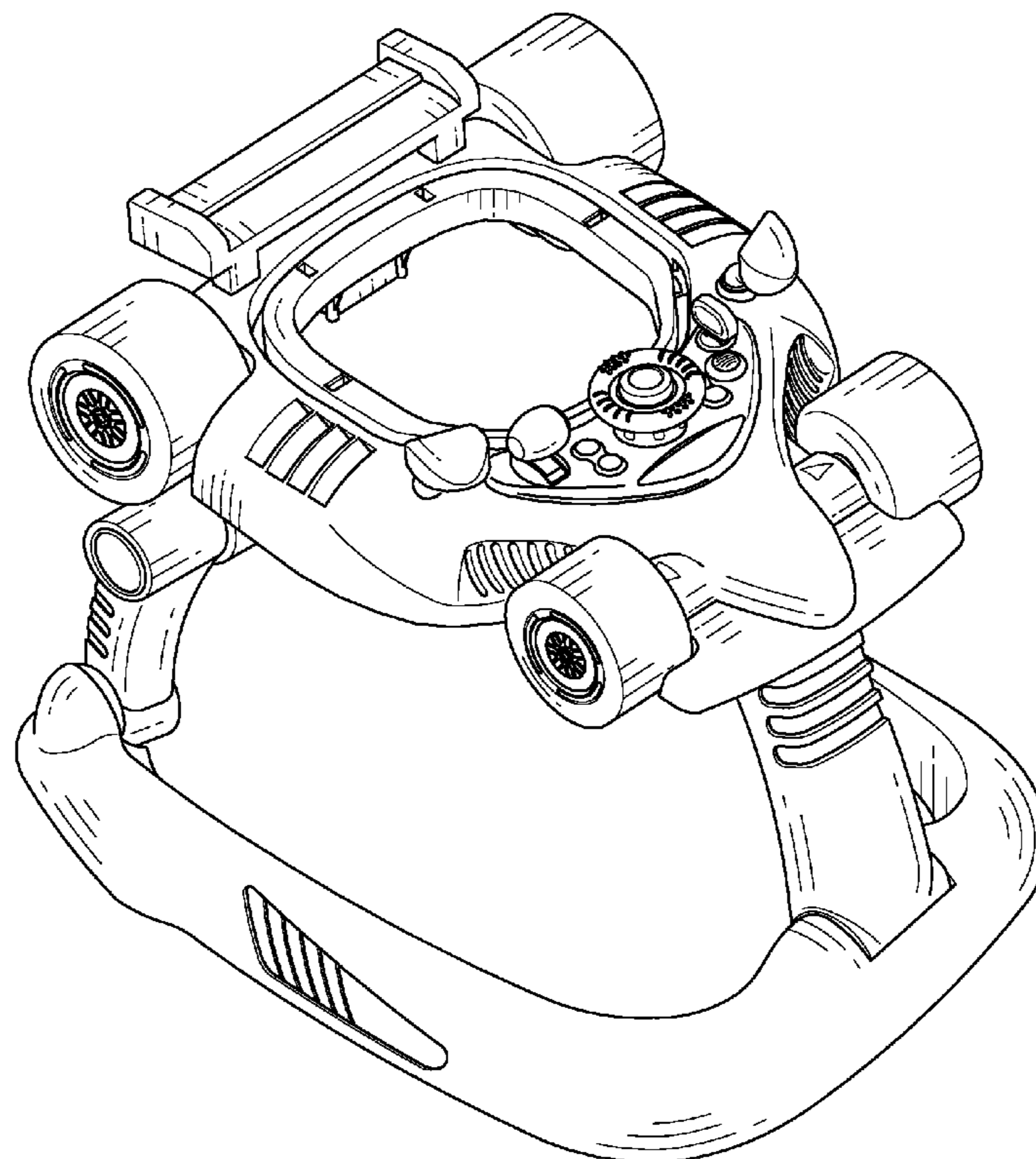
The broken line showing of the support ribs in FIGS. 3 and 7 are environmental structures only and forms no part of the claimed design.

(56) **References Cited**

**U.S. PATENT DOCUMENTS**

D326,123 S \* 5/1992 Cannon ..... D21/477  
5,449,185 A \* 9/1995 Sykes ..... 280/87.051  
D391,309 S \* 2/1998 Meeker et al. .... D21/412  
D395,467 S \* 6/1998 Bellows ..... D21/412  
D439,207 S \* 3/2001 Liu ..... D12/130  
D445,143 S \* 7/2001 Bellows ..... D21/419  
D466,843 S \* 12/2002 Paesang et al. .... D12/130  
D475,000 S \* 5/2003 Wu ..... D12/133

**1 Claim, 7 Drawing Sheets**



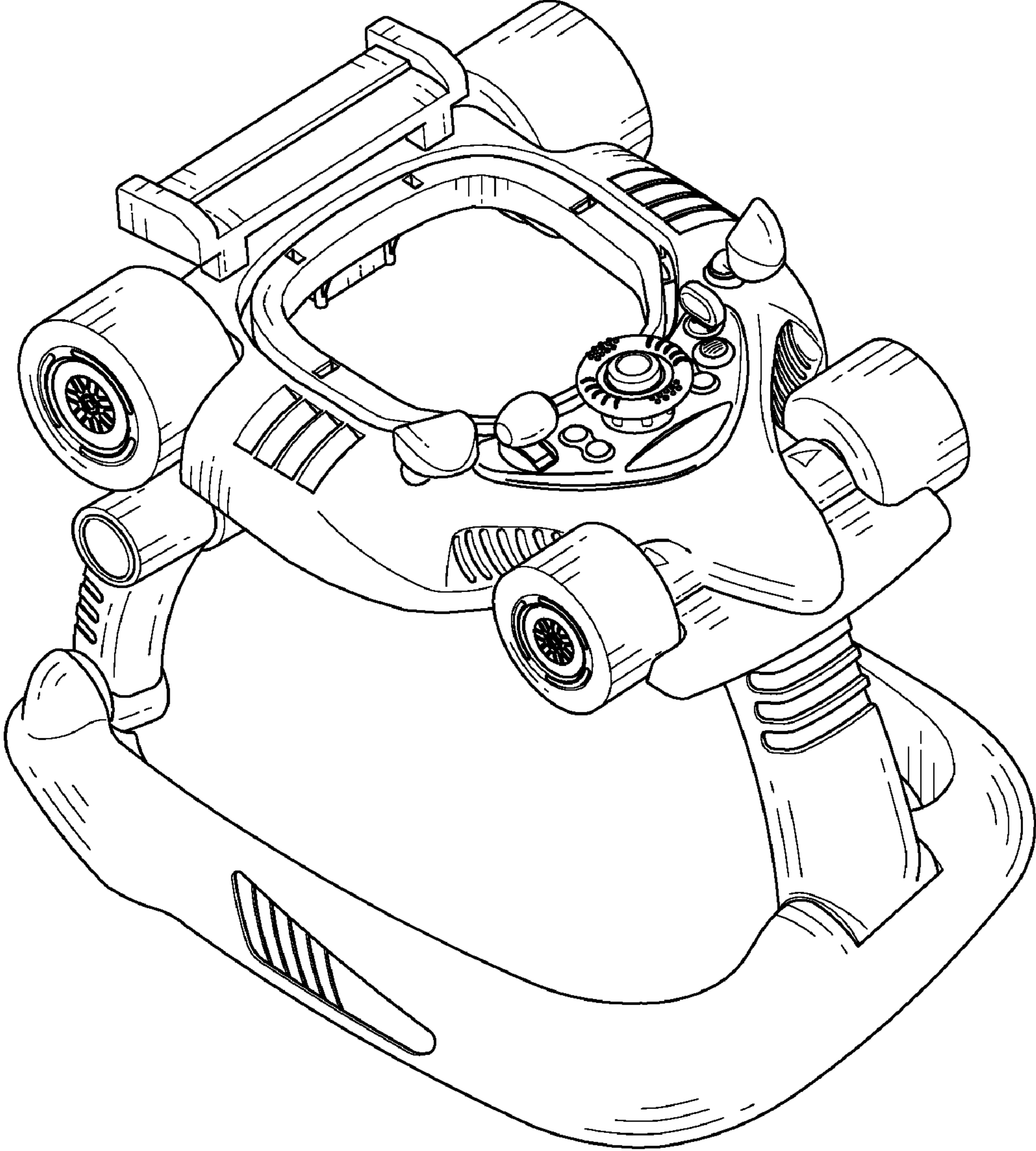


FIG.1

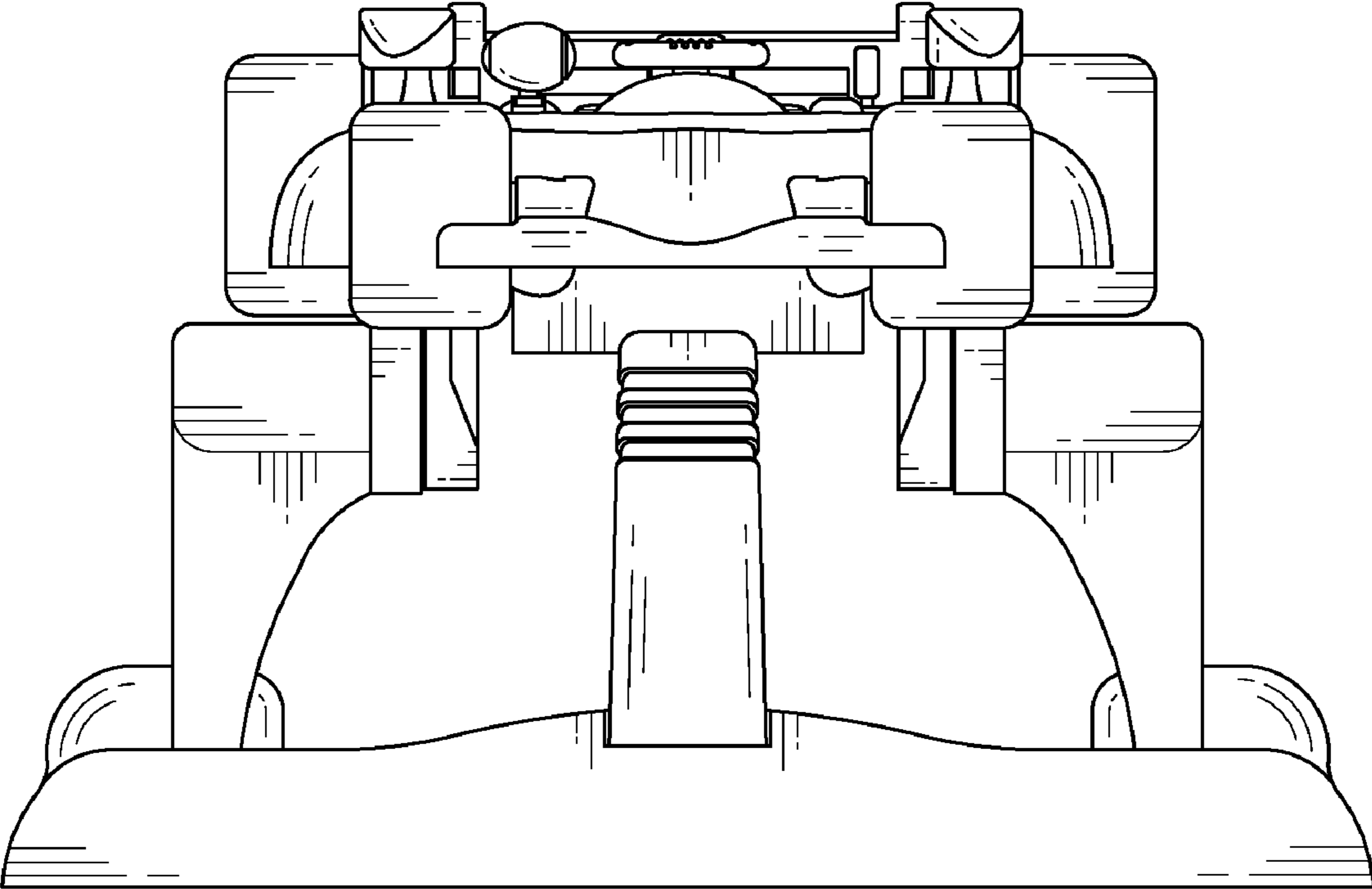


FIG. 2

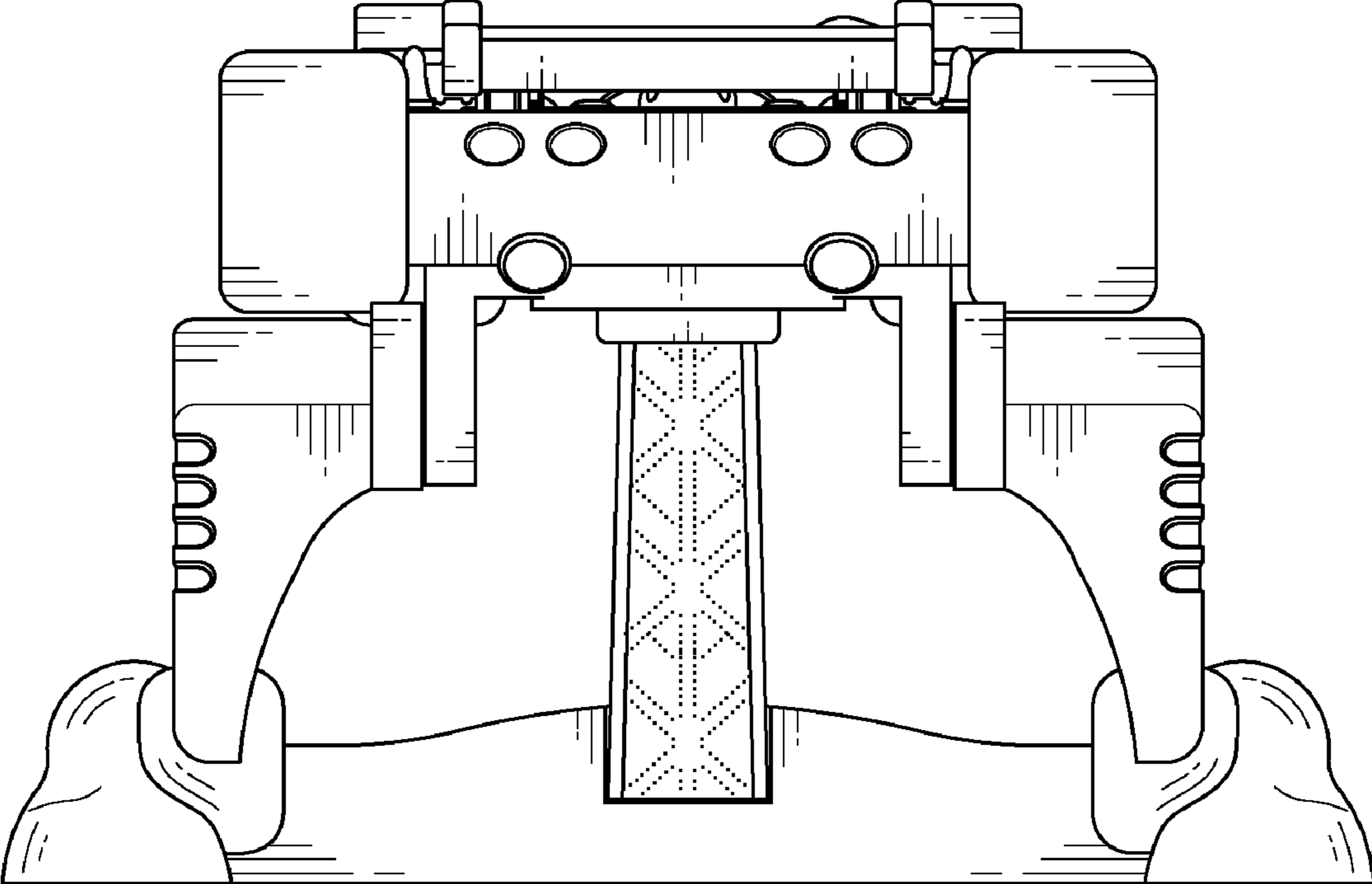


FIG.3

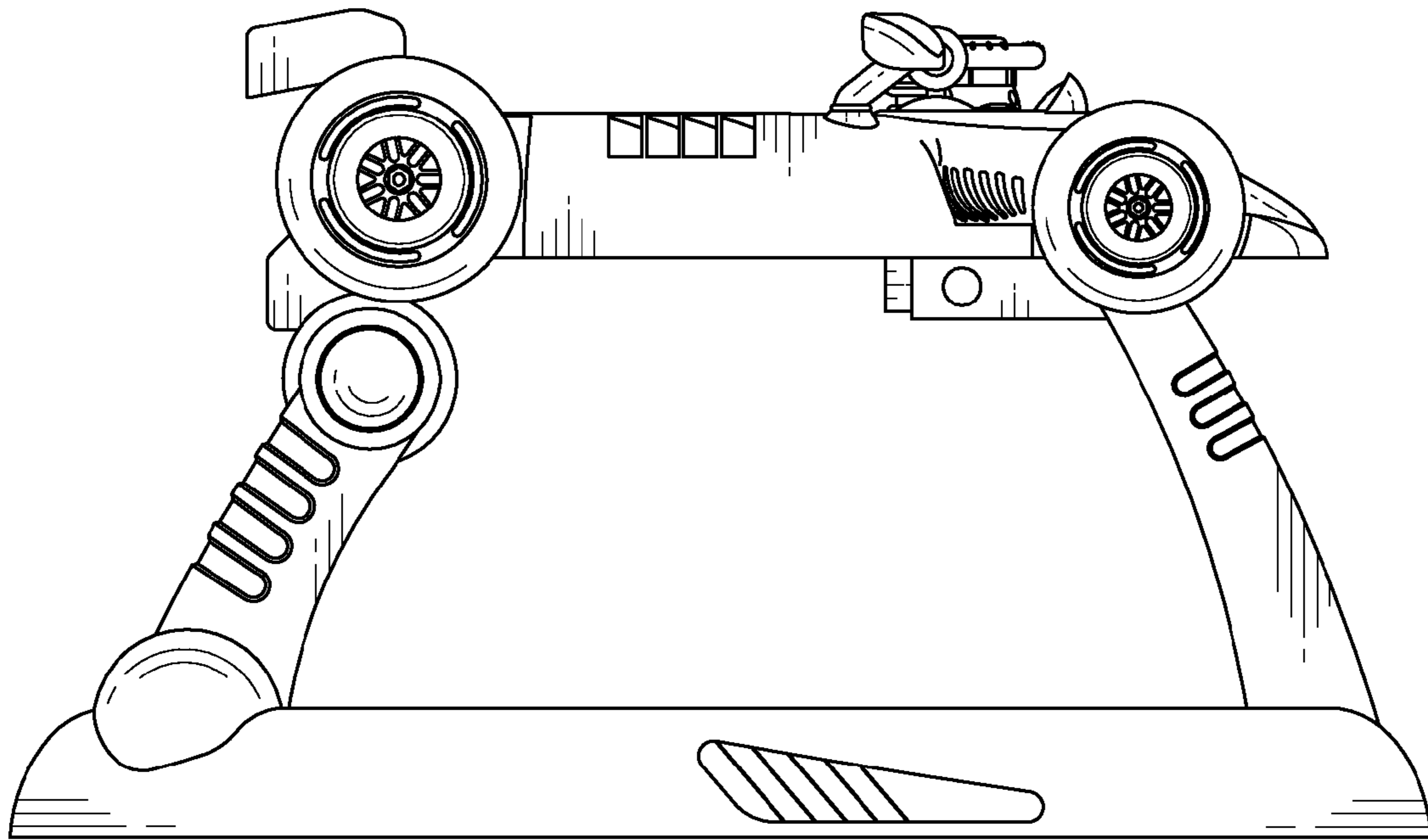


FIG. 4

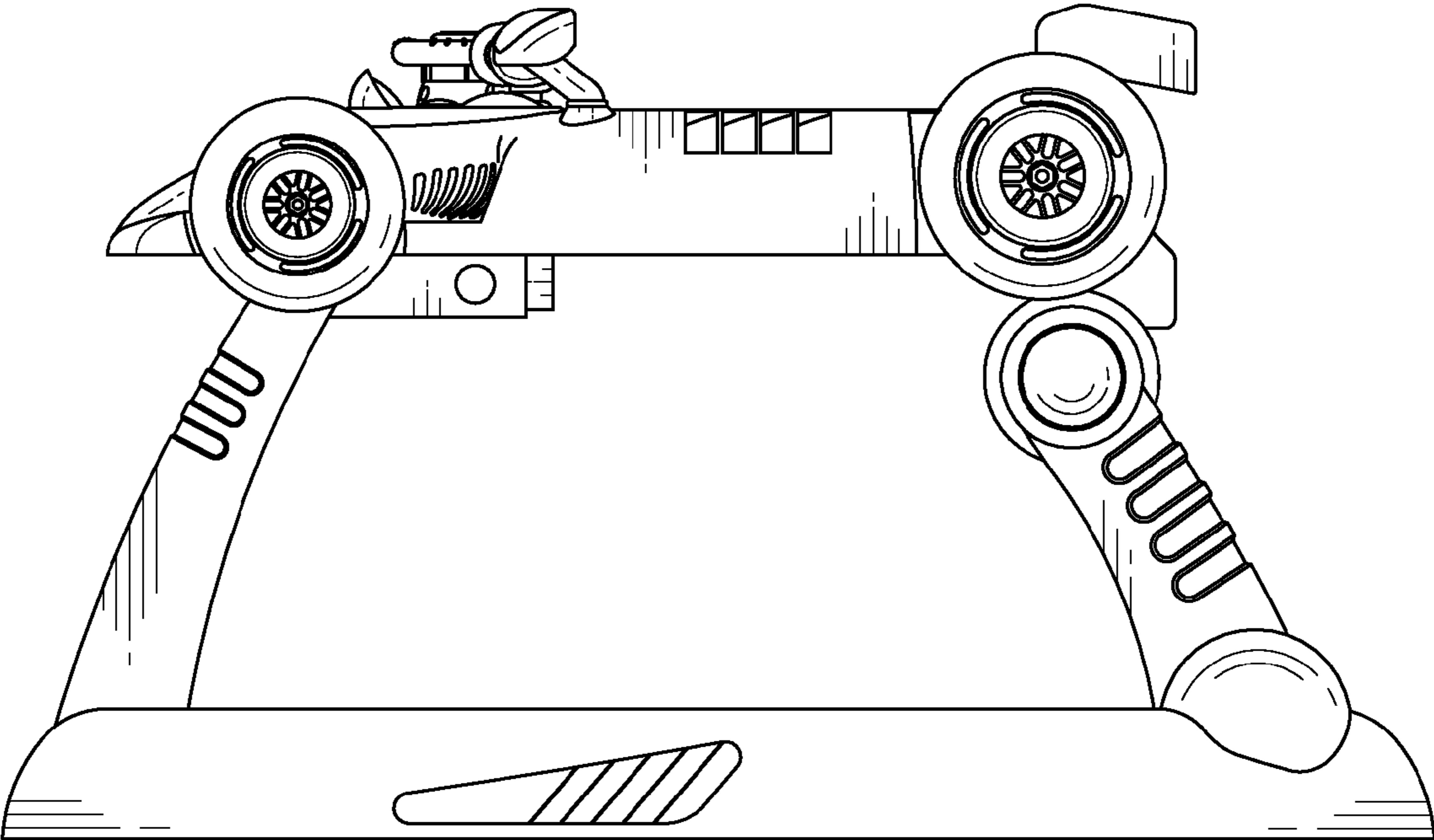


FIG.5

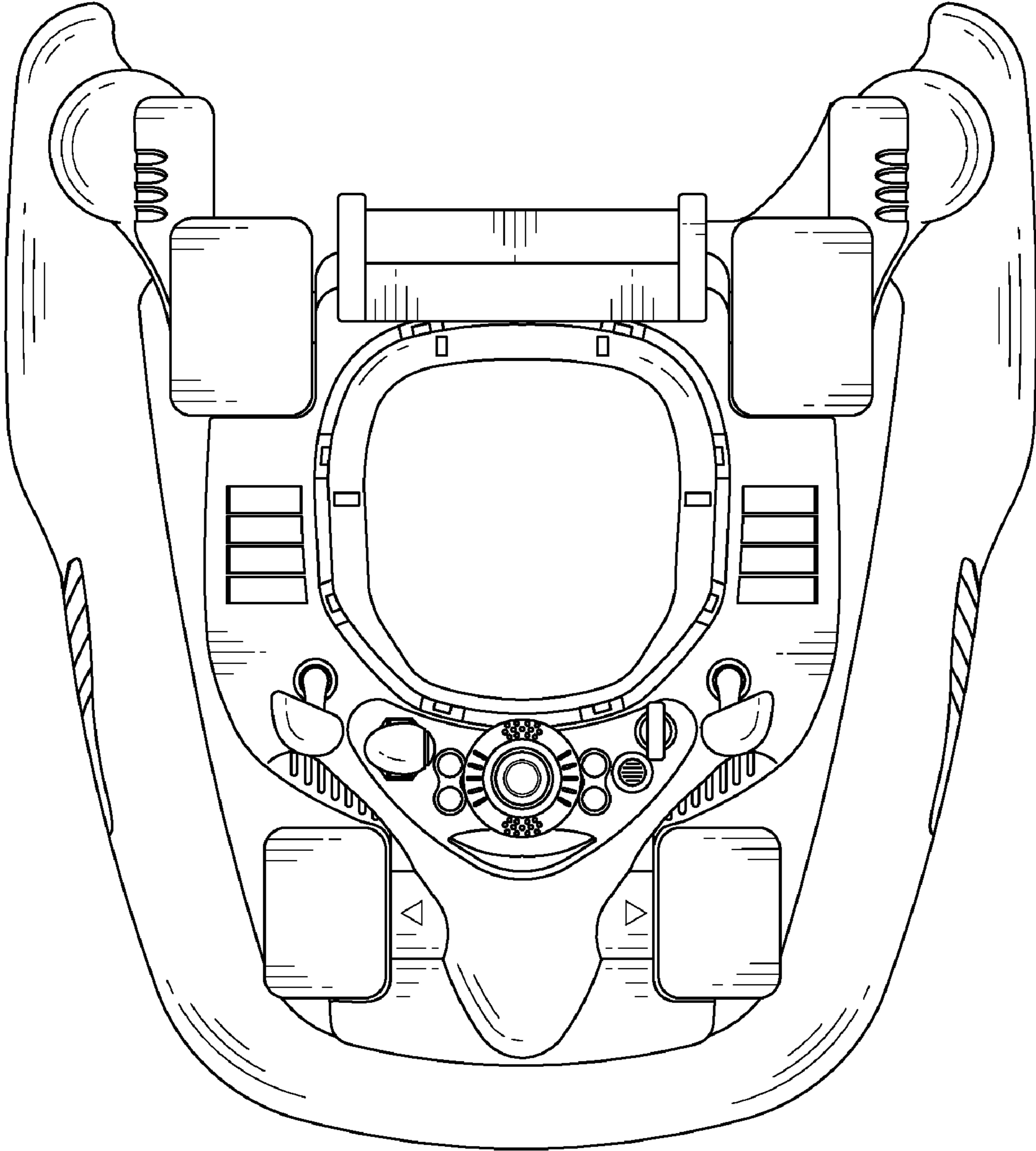


FIG.6

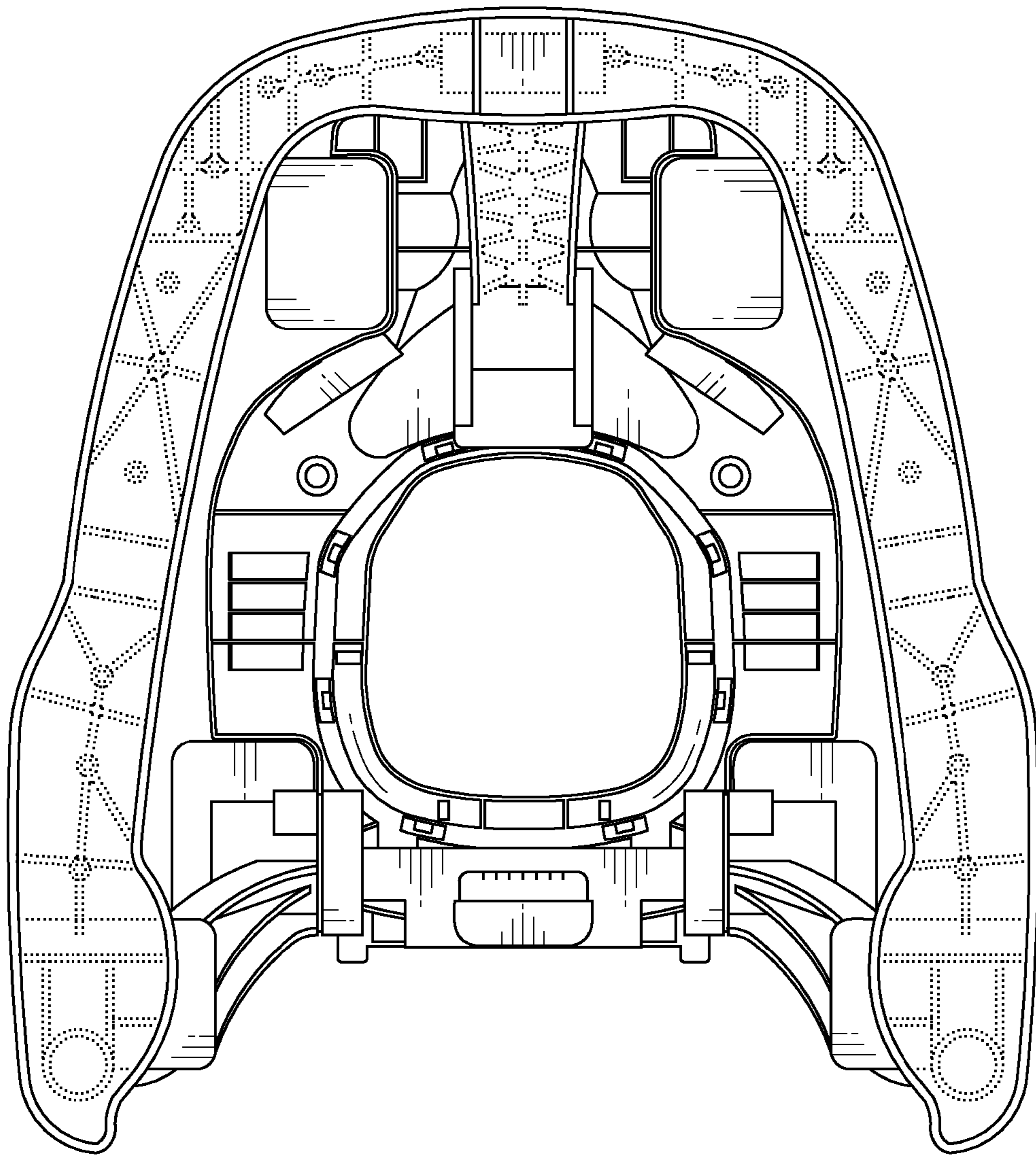


FIG. 7