



US00D627004S

(12) **United States Design Patent**  
**Lu**

(10) **Patent No.:** **US D627,004 S**  
(45) **Date of Patent:** **\*\* Nov. 9, 2010**

(54) **COFFEE TABLE WITH FOOTBALL GAME DEVICE**

(76) Inventor: **Wei-Lin Lu**, DaPianMei Village,  
DaLingShan Town, DongGuan, Guang  
Dong (CN) 523820

(\*\*) Term: **14 Years**

(21) Appl. No.: **29/350,431**

(22) Filed: **Nov. 17, 2009**

(51) **LOC (9) Cl.** ..... **21-01**

(52) **U.S. Cl.** ..... **D21/318**

(58) **Field of Classification Search** ..... D21/318,  
D21/312, 314, 334, 338, 783, 784; D6/396,  
D6/329, 451; 273/108.1, 309, 108.52–108.56,  
273/118 R, 126 R, 126 A, 127 R, 236, DIG. 26  
See application file for complete search history.

(56) **References Cited**

U.S. PATENT DOCUMENTS

5,615,619 A \* 4/1997 King ..... 108/25  
D432,813 S \* 10/2000 Hazen et al. .... D6/432  
6,349,939 B1 \* 2/2002 Tsai ..... 273/108.1  
6,419,224 B1 \* 7/2002 Tsai ..... 273/108.1  
D476,389 S \* 6/2003 Flathers ..... D21/784  
D500,543 S \* 1/2005 Stein ..... D21/784  
D559,017 S \* 1/2008 Domack et al. .... D6/480

D570,418 S \* 6/2008 Lu ..... D21/318  
D572,792 S \* 7/2008 Thornberg ..... D21/783  
2008/0150230 A1 \* 6/2008 Bowe ..... 273/108.1  
2008/0154906 A1 \* 6/2008 McDavid et al. .... 707/10

\* cited by examiner

*Primary Examiner*—Prabhakar Deshmukh  
(74) *Attorney, Agent, or Firm*—Banger Shia

(57) **CLAIM**

The ornamental design for coffee table with football game device, as shown and described.

**DESCRIPTION**

FIG. 1 is a perspective view of coffee table with football game device showing my present design,

FIG. 2 is a front view thereof;

FIG. 3 is a rear view thereof;

FIG. 4 is a left view thereof;

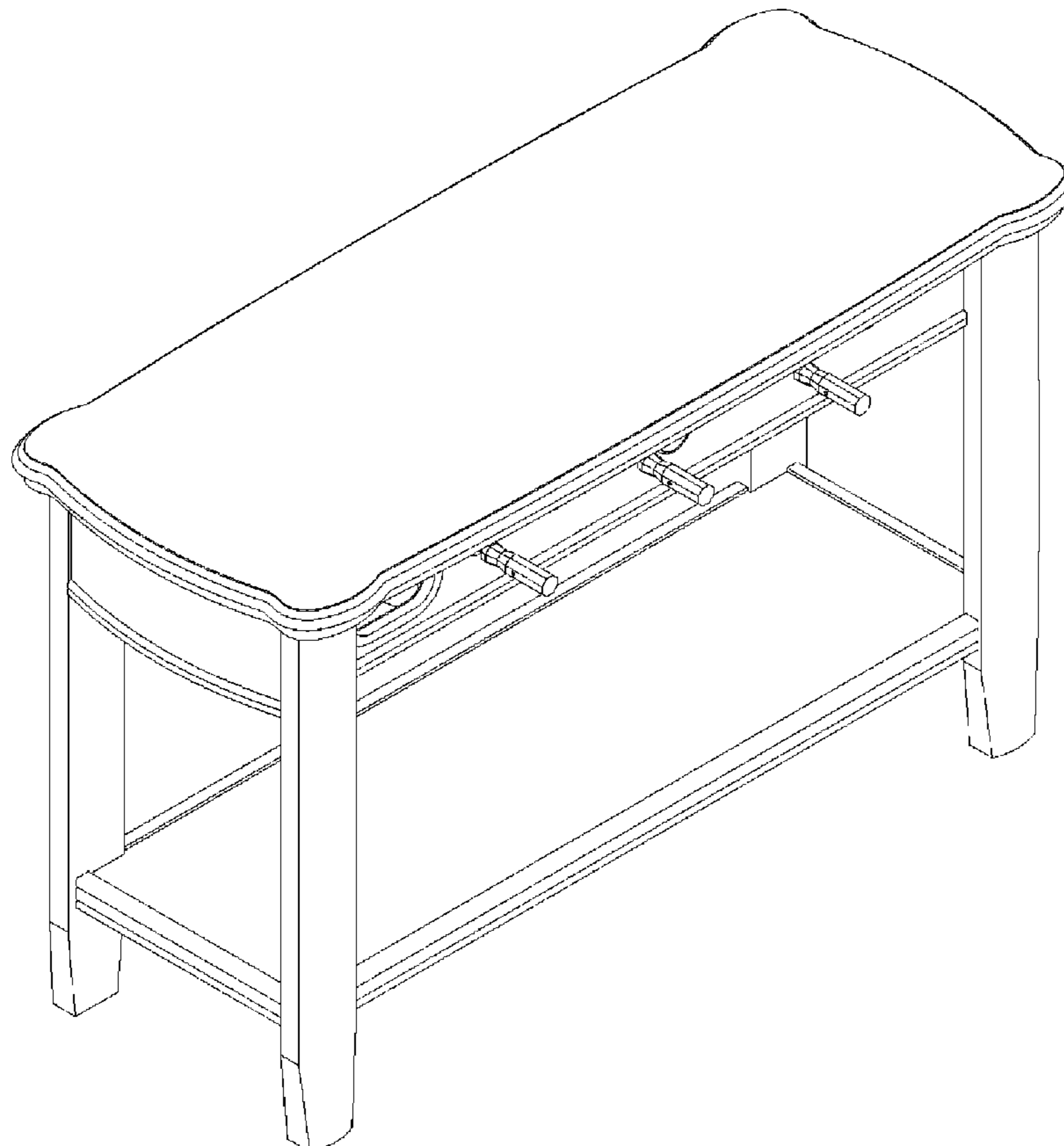
FIG. 5 is a right view thereof;

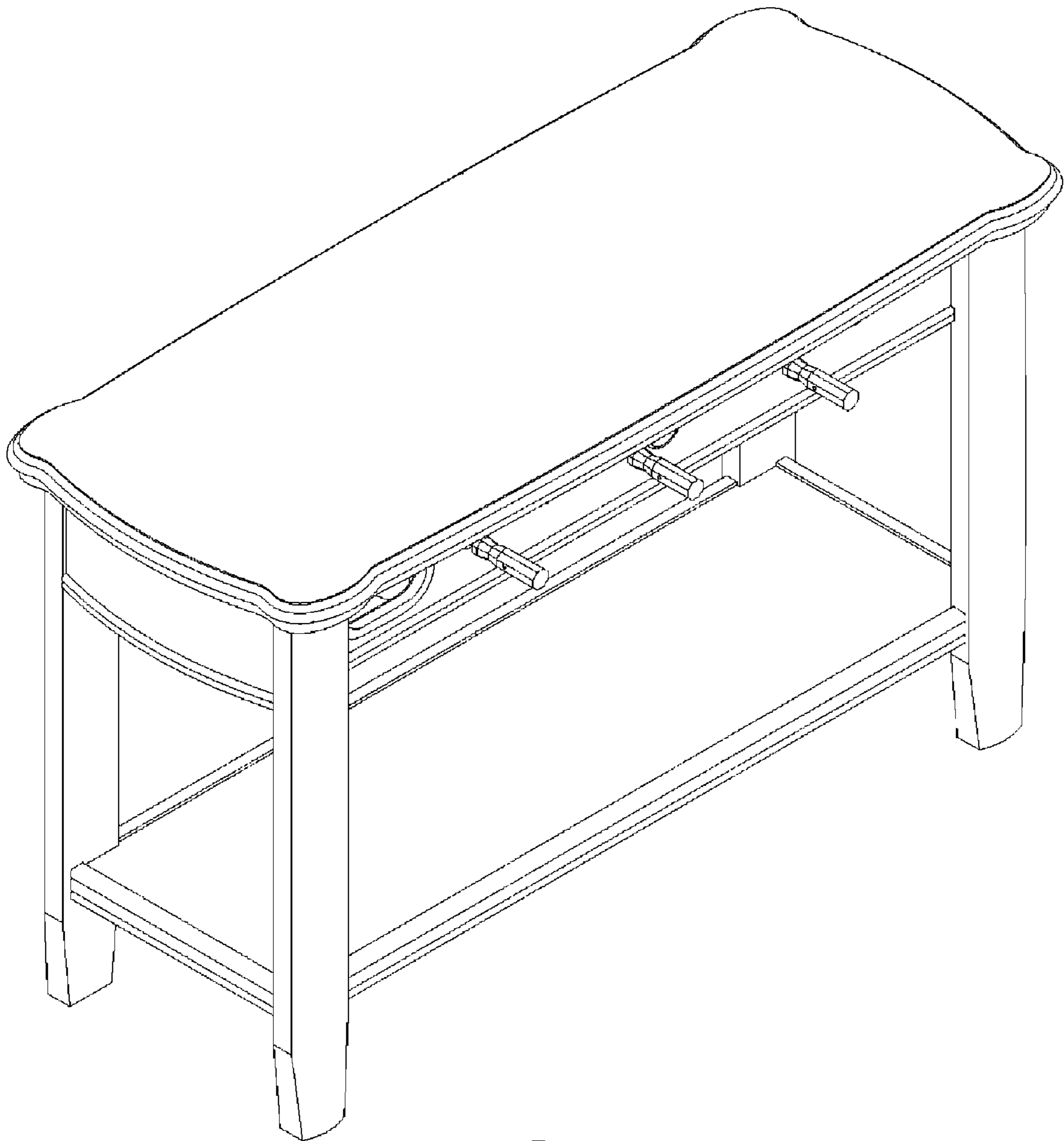
FIG. 6 is a top view thereof;

FIG. 7 is a bottom view; and,

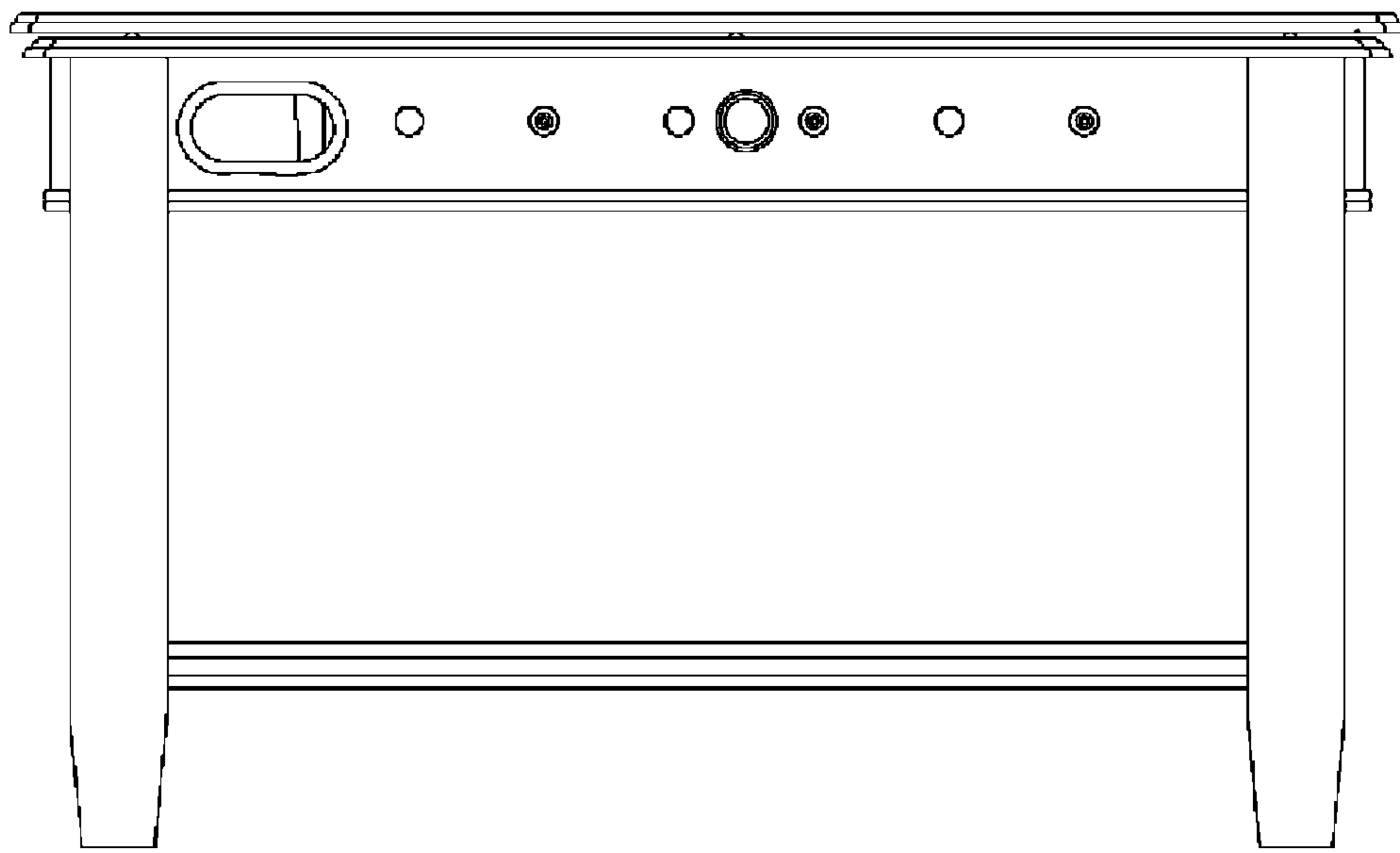
FIG. 8 is a perspective view of coffee table with football game device showing my present design while the table top was raised by user.

**1 Claim, 5 Drawing Sheets**

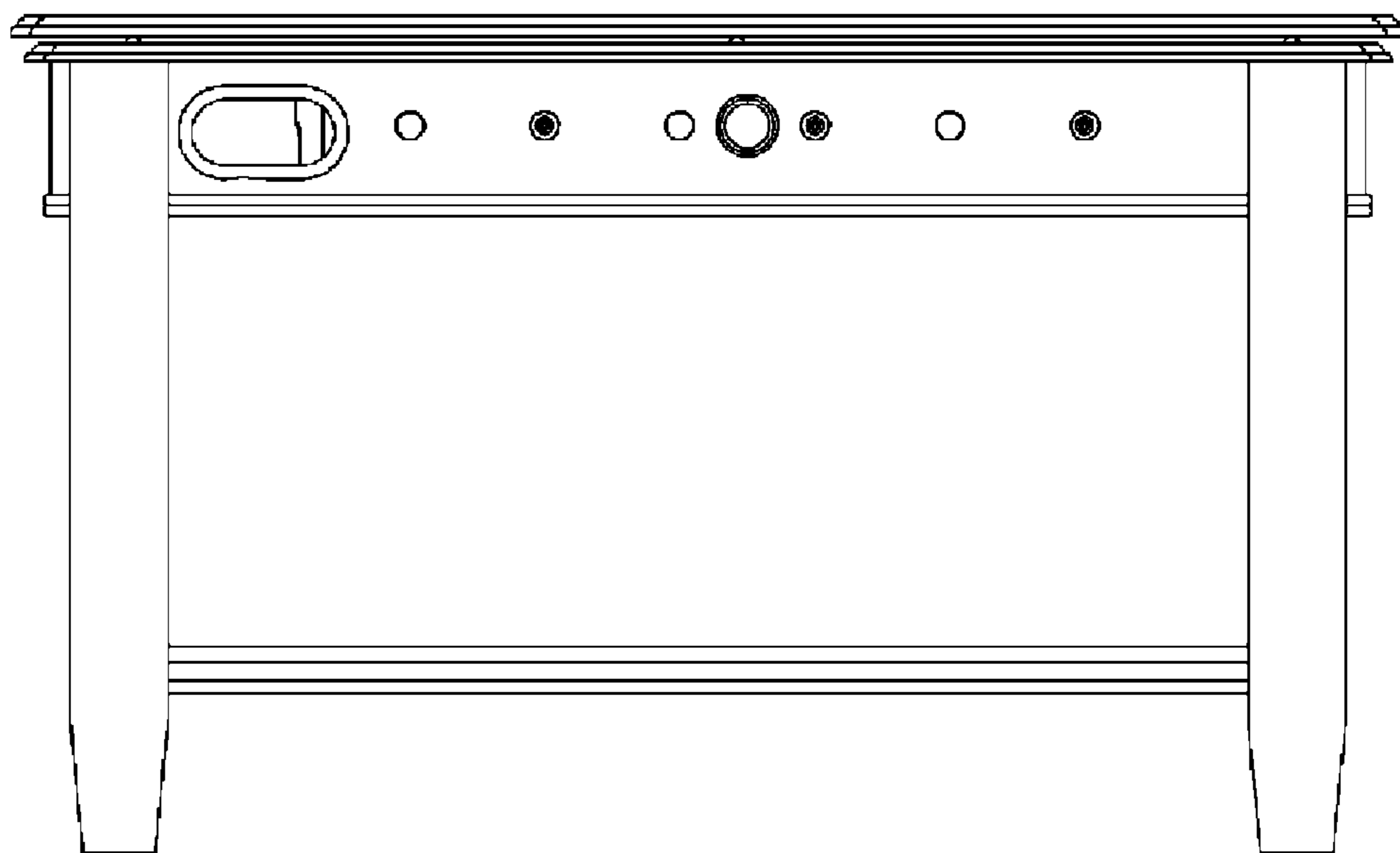




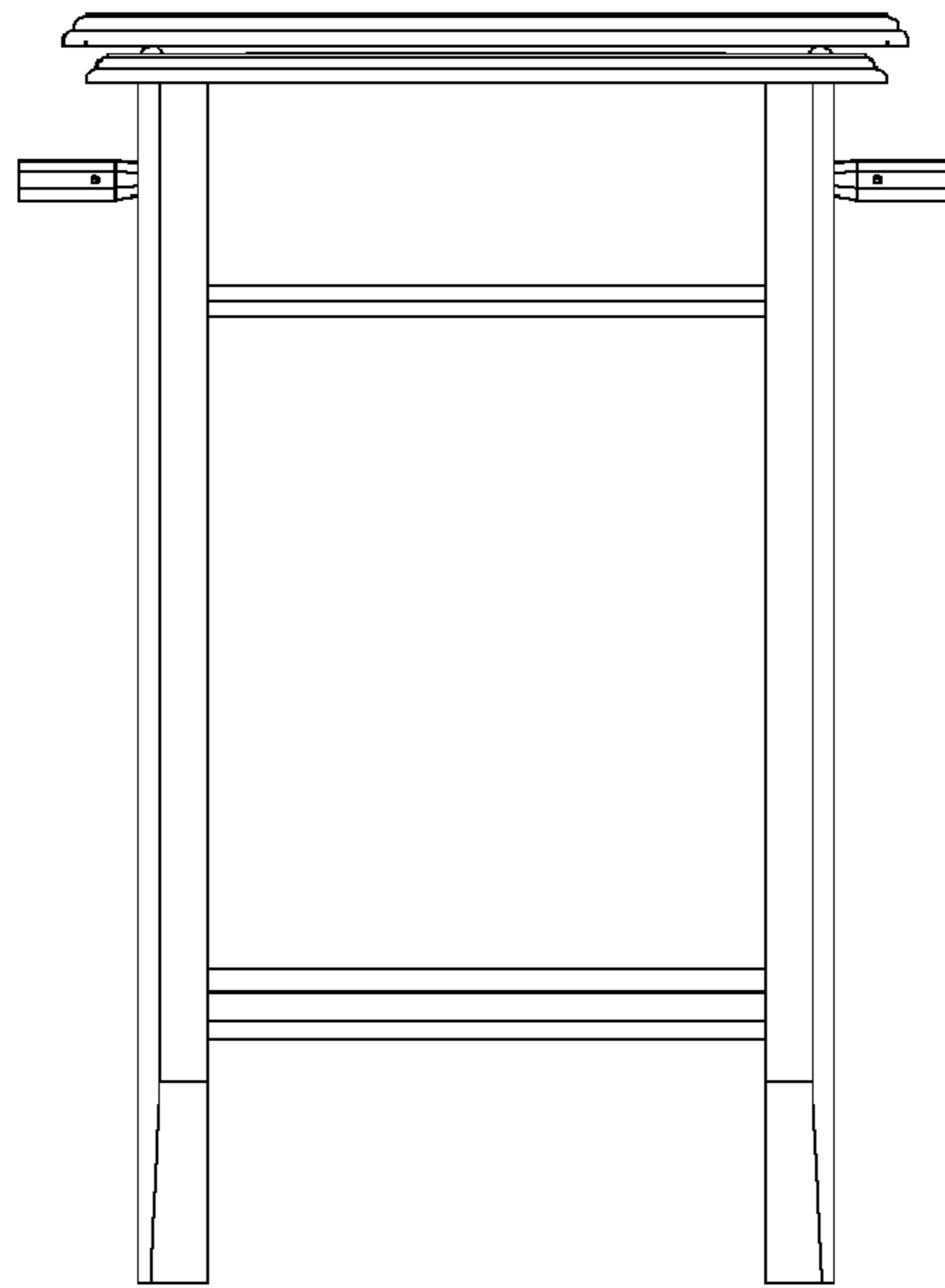
**FIG. 1**



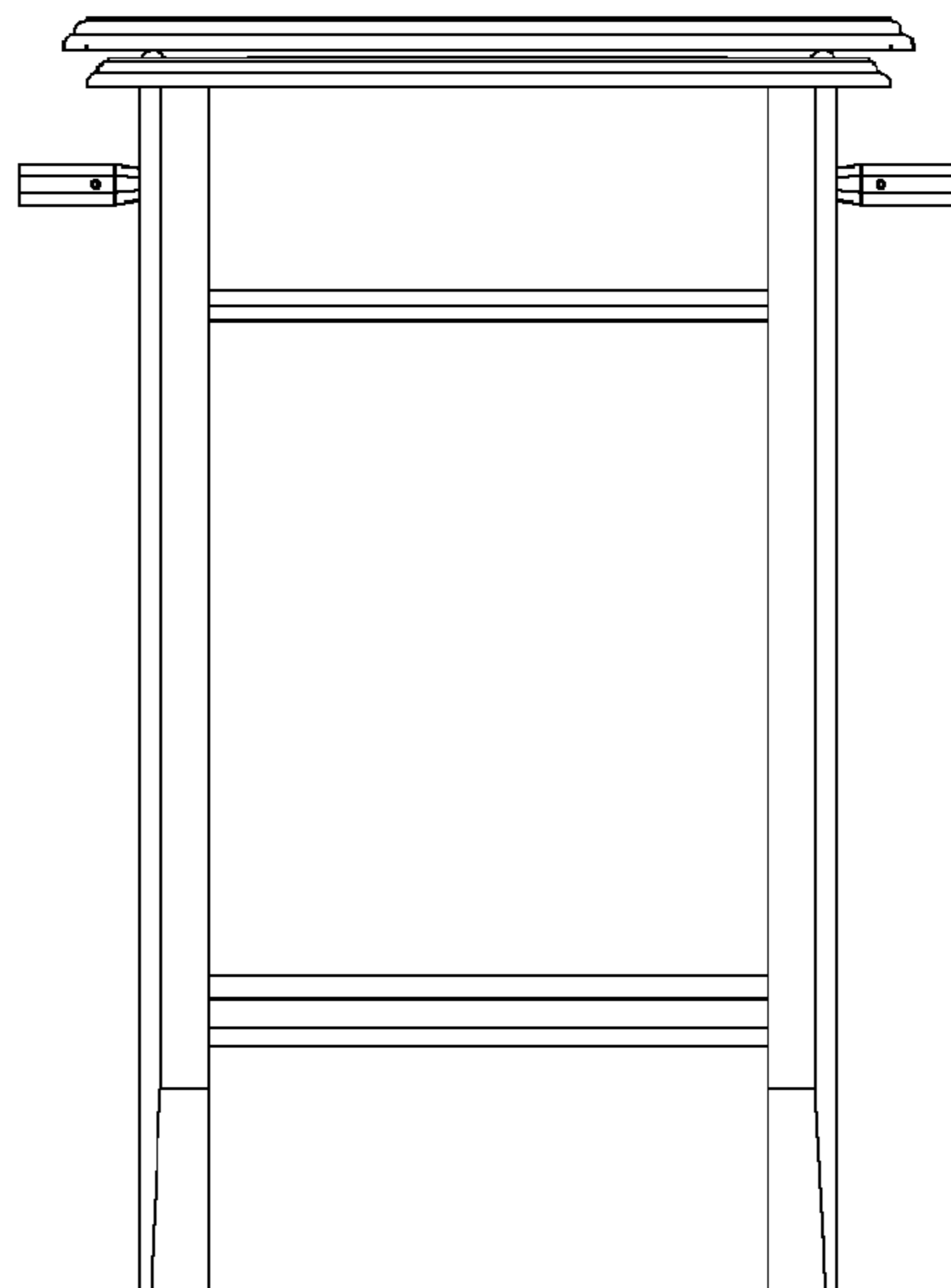
**FIG. 2**



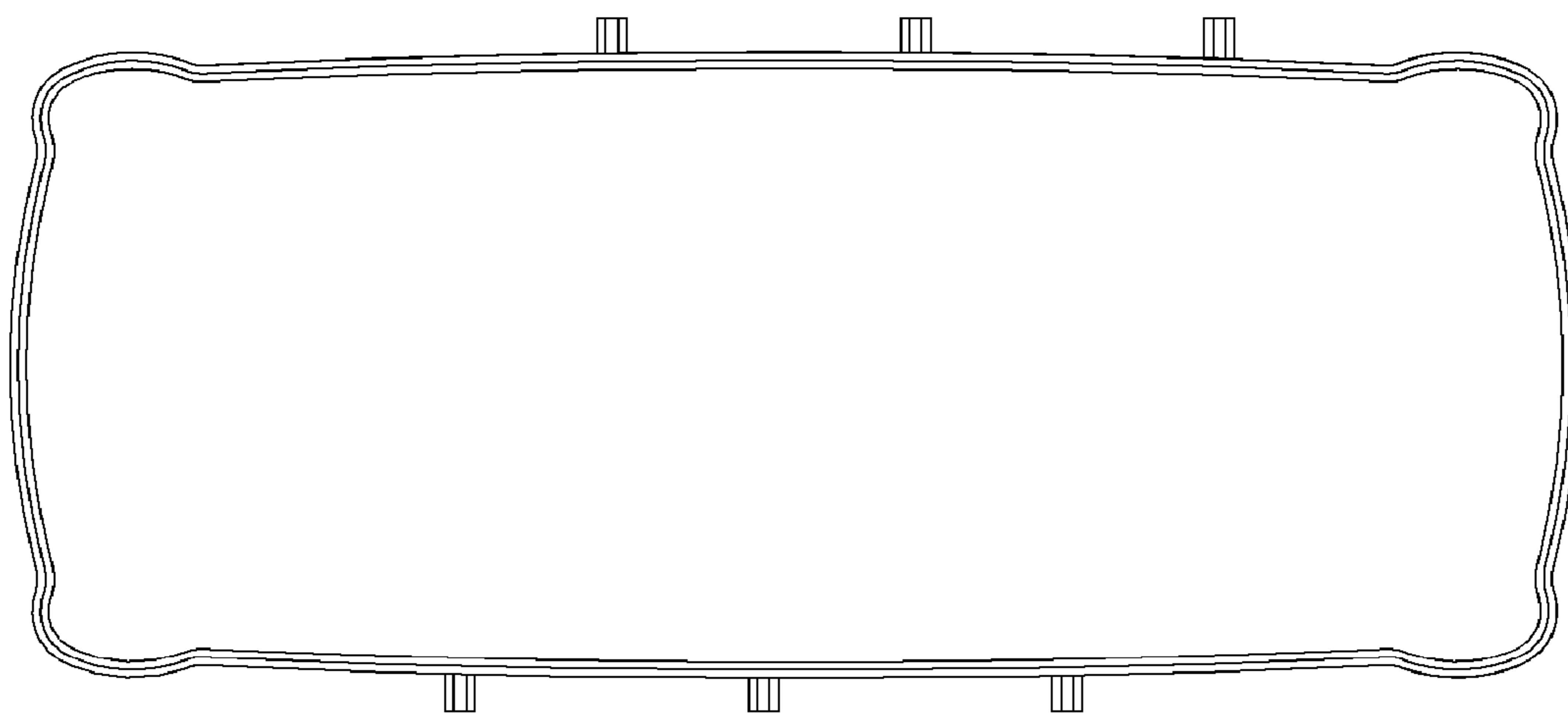
**FIG. 3**



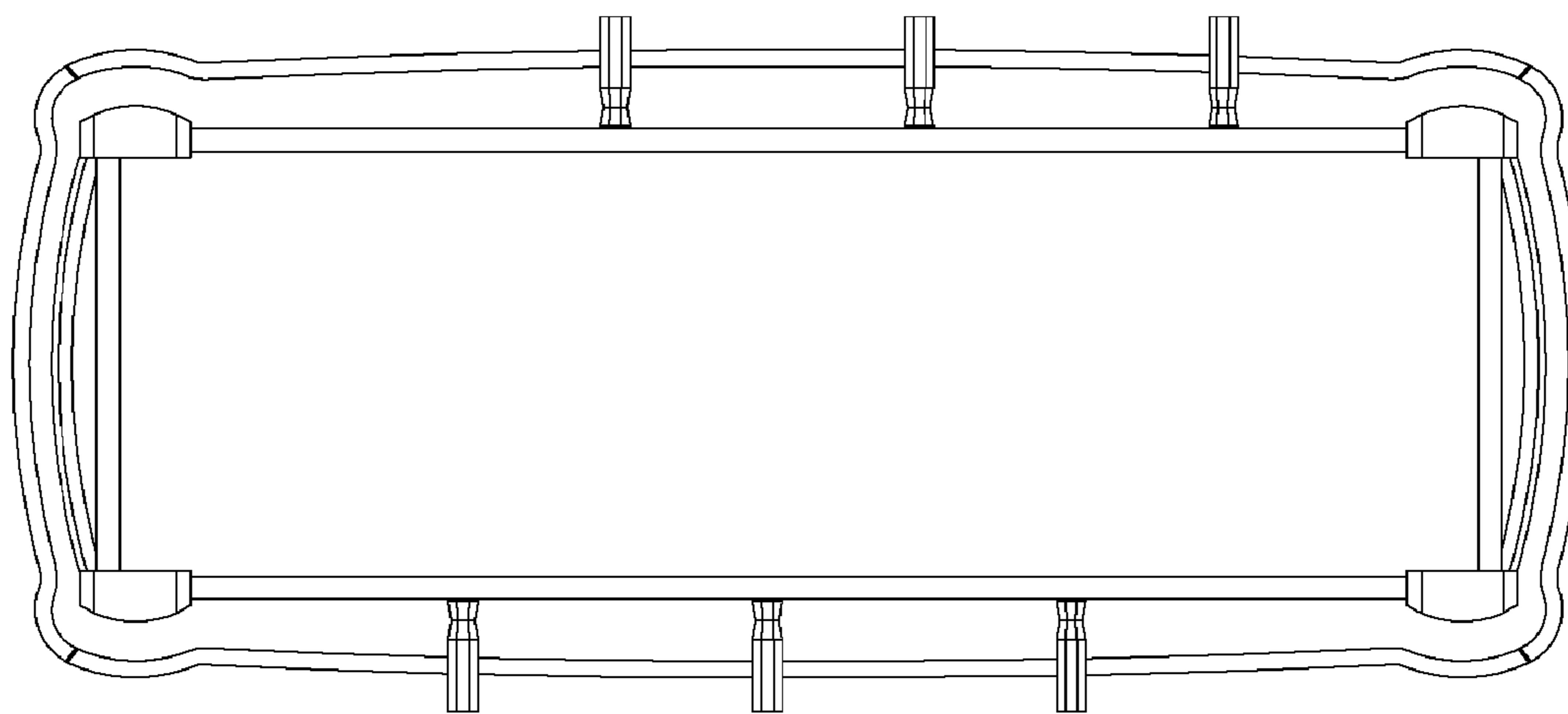
**FIG. 4**



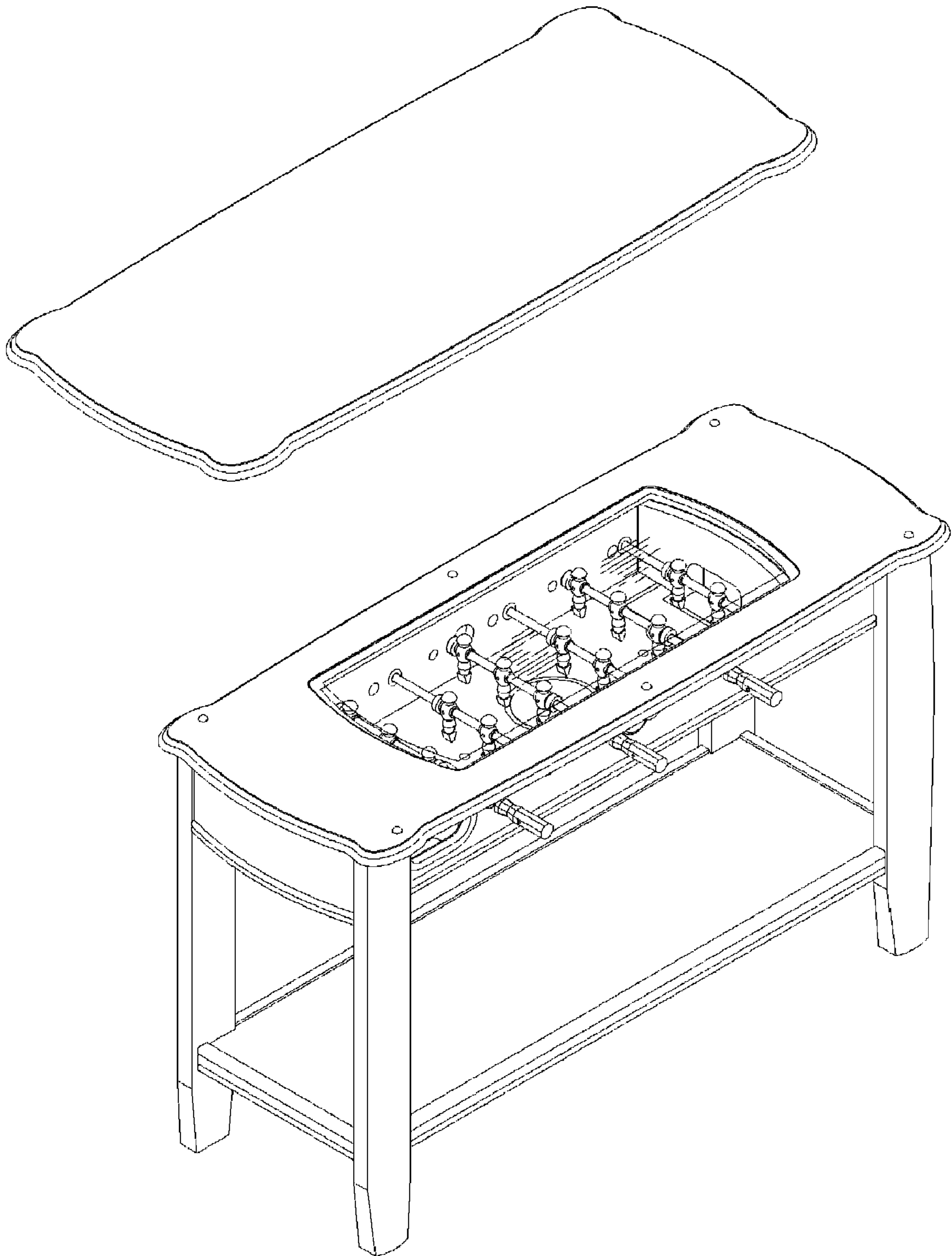
**FIG. 5**



**FIG. 6**



**FIG. 7**



**FIG. 8**