



US00D627003S

(12) **United States Design Patent**
Lu

(10) **Patent No.:** **US D627,003 S**
(45) **Date of Patent:** **** Nov. 9, 2010**

(54) **COFFEE TABLE WITH FOOTBALL GAME DEVICE**

(76) Inventor: **Wei-Lin Lu**, DaPianMei Village,
DaLingShan Town, DongGuan, Guang
Dong (CN) 523820

(**) Term: **14 Years**

(21) Appl. No.: **29/350,426**

(22) Filed: **Nov. 17, 2009**

(51) **LOC (9) Cl.** **21-01**

(52) **U.S. Cl.** **D21/318**

(58) **Field of Classification Search** D21/318,
D21/312, 314, 334, 338, 783, 784; D6/396,
D6/329, 451; 273/108.1, 309, 108.52–108.56,
273/118 R, 126 R, 126 A, 127 R, 236, DIG. 26
See application file for complete search history.

(56) **References Cited**

U.S. PATENT DOCUMENTS

5,615,619 A * 4/1997 King 108/25
D432,813 S * 10/2000 Hazen et al. D6/432
6,349,939 B1 * 2/2002 Tsai 273/108.1
6,419,224 B1 * 7/2002 Tsai 273/108.1
D476,389 S * 6/2003 Flathers D21/784

D500,543 S * 1/2005 Stein D21/784
D559,017 S * 1/2008 Domack et al. D6/480
D570,418 S * 6/2008 Lu D21/318
D572,792 S * 7/2008 Thornberg D21/783
2008/0150230 A1 * 6/2008 Bowe 273/108.1
2008/0154906 A1 * 6/2008 McDavid et al. 707/10

* cited by examiner

Primary Examiner—Prabhakar Deshmukh
(74) *Attorney, Agent, or Firm*—Banger Shia

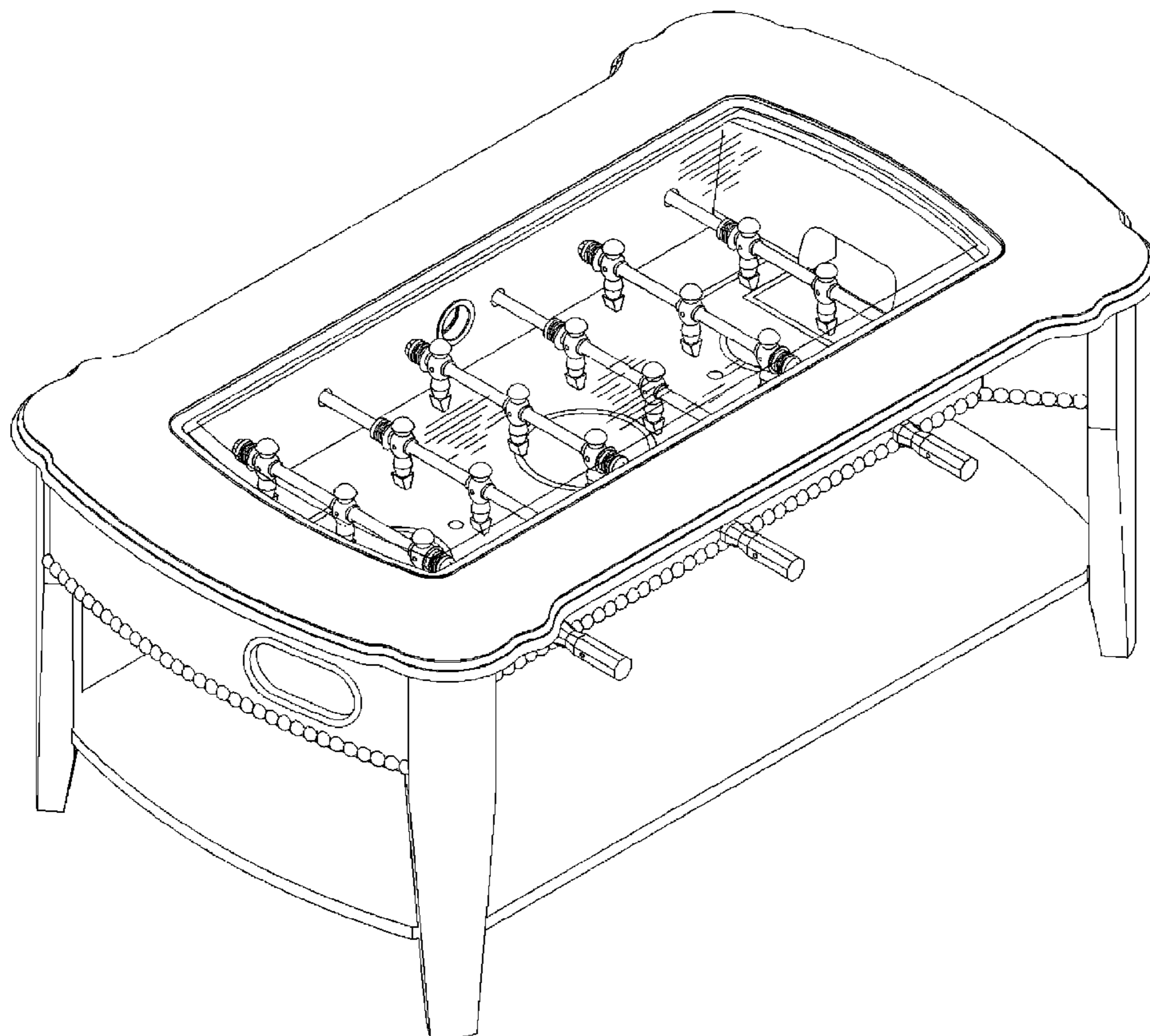
(57) **CLAIM**

The ornamental design for coffee table with football game device, as shown and described.

DESCRIPTION

FIG. 1 is a perspective view of coffee table with football game device showing my present design,
FIG. 2 is a front view thereof;
FIG. 3 is a rear view thereof;
FIG. 4 is a left view thereof;
FIG. 5 is a right view thereof;
FIG. 6 is a top view thereof; and,
FIG. 7 is a bottom view.

1 Claim, 4 Drawing Sheets



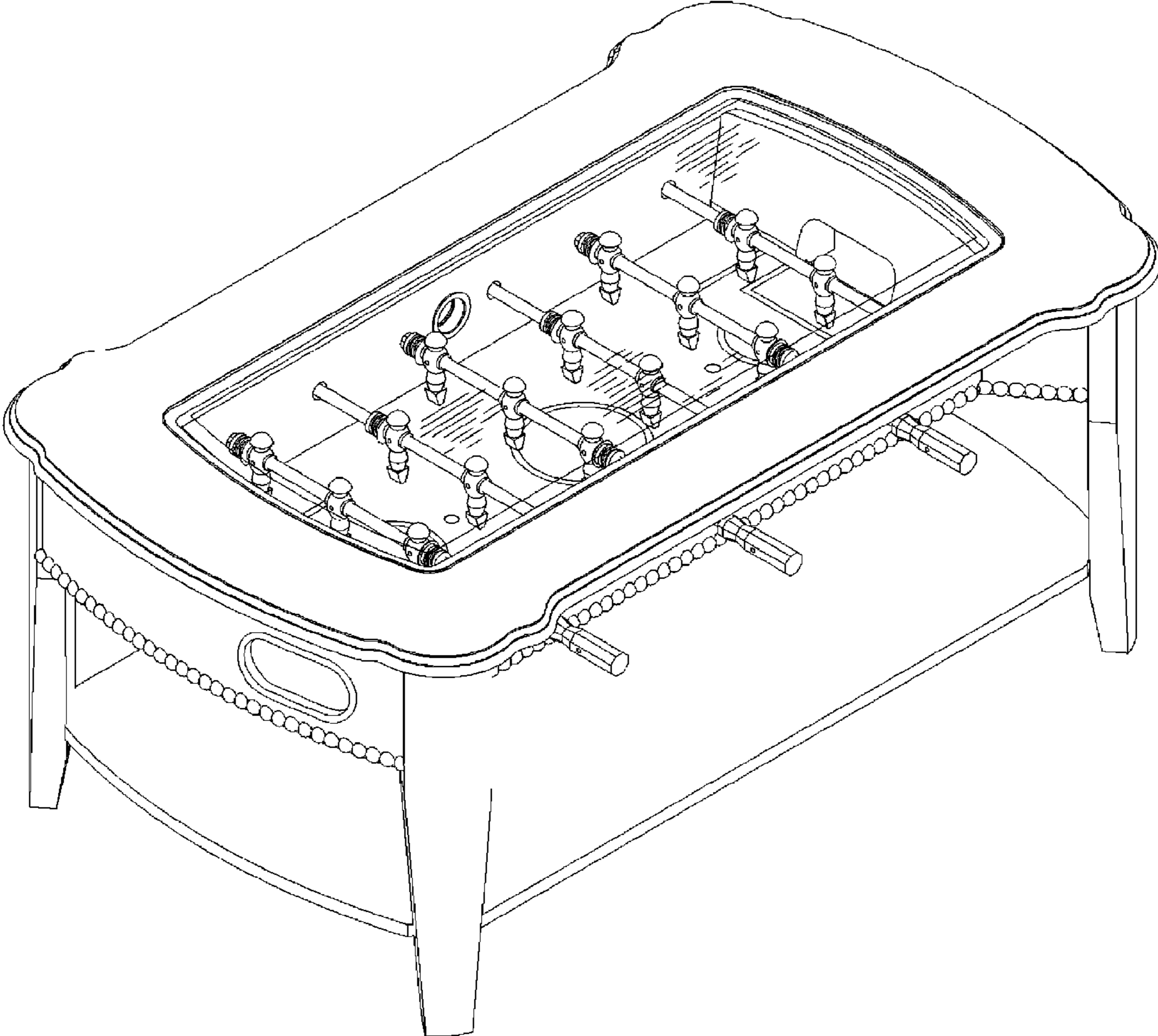


FIG. 1

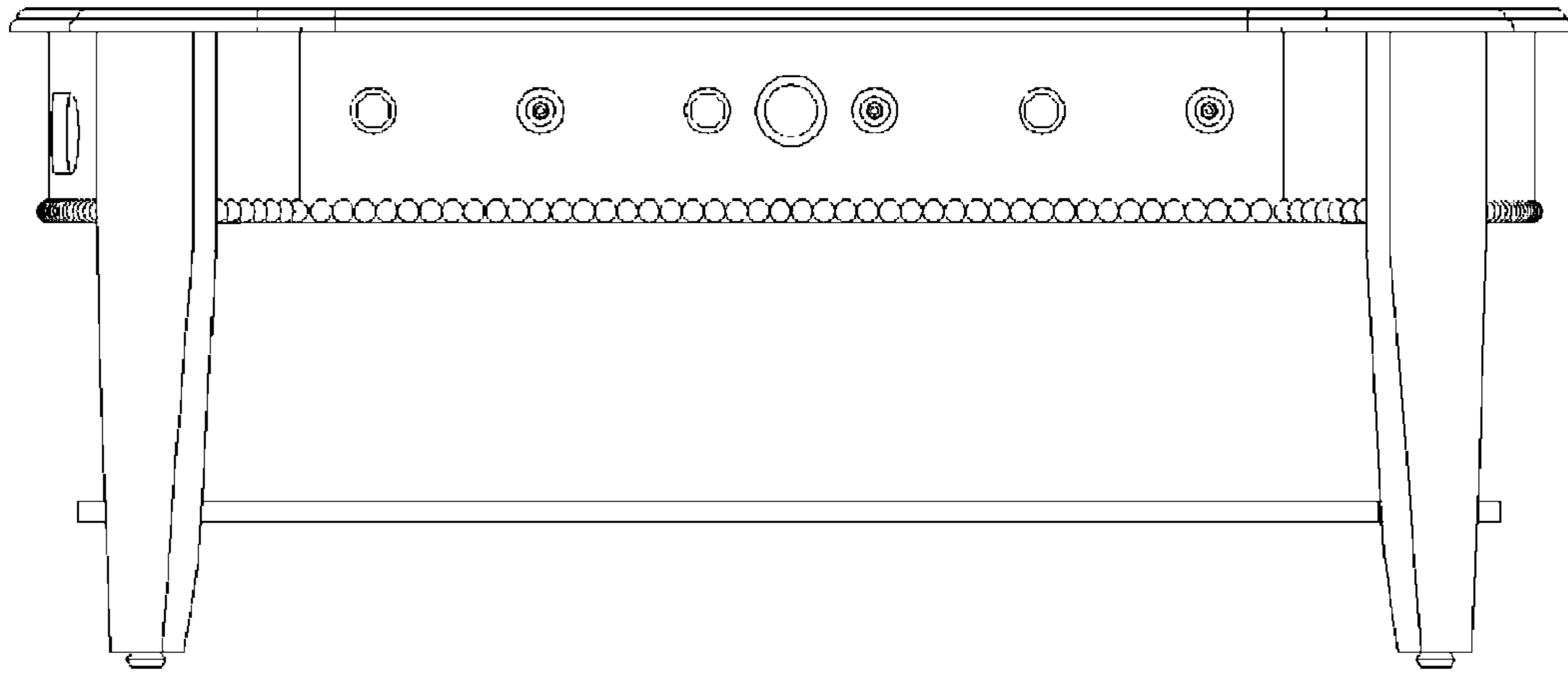


FIG. 2

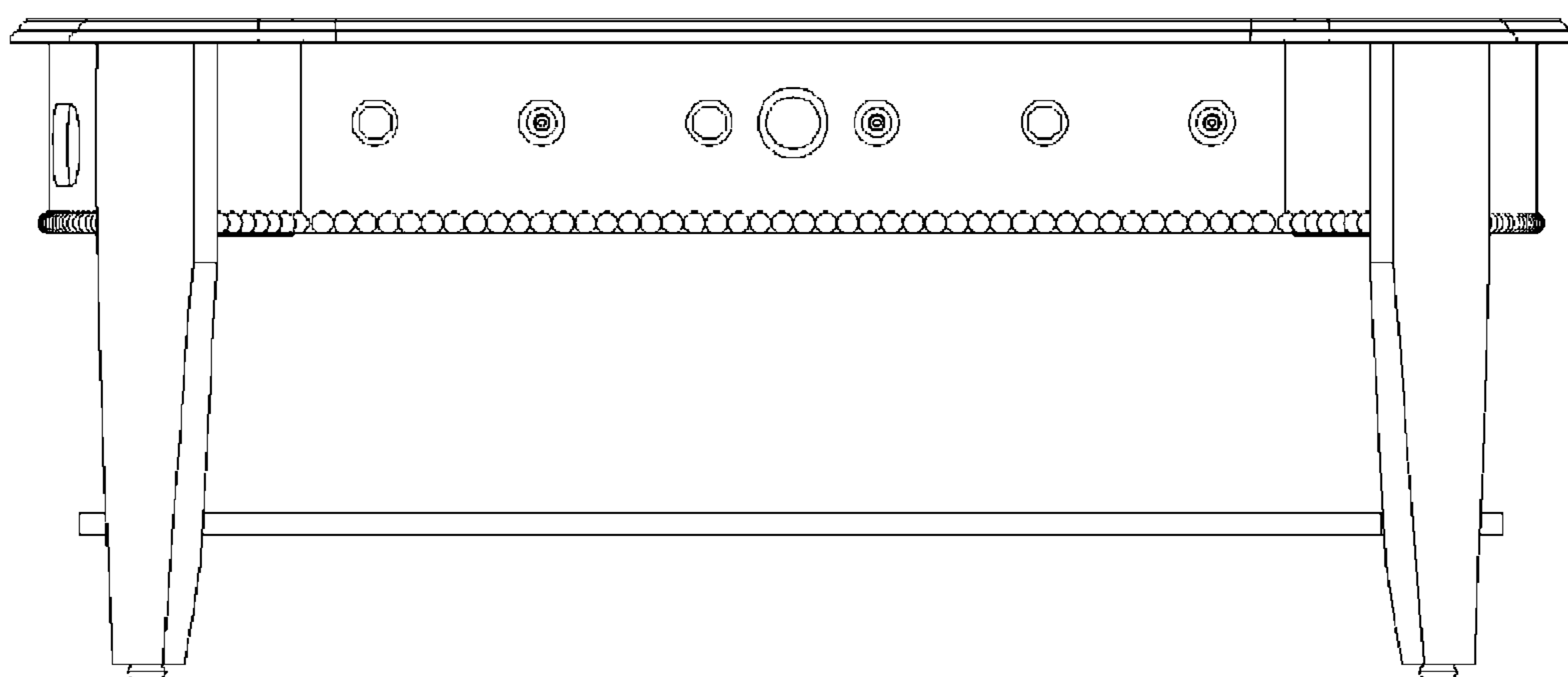


FIG. 3

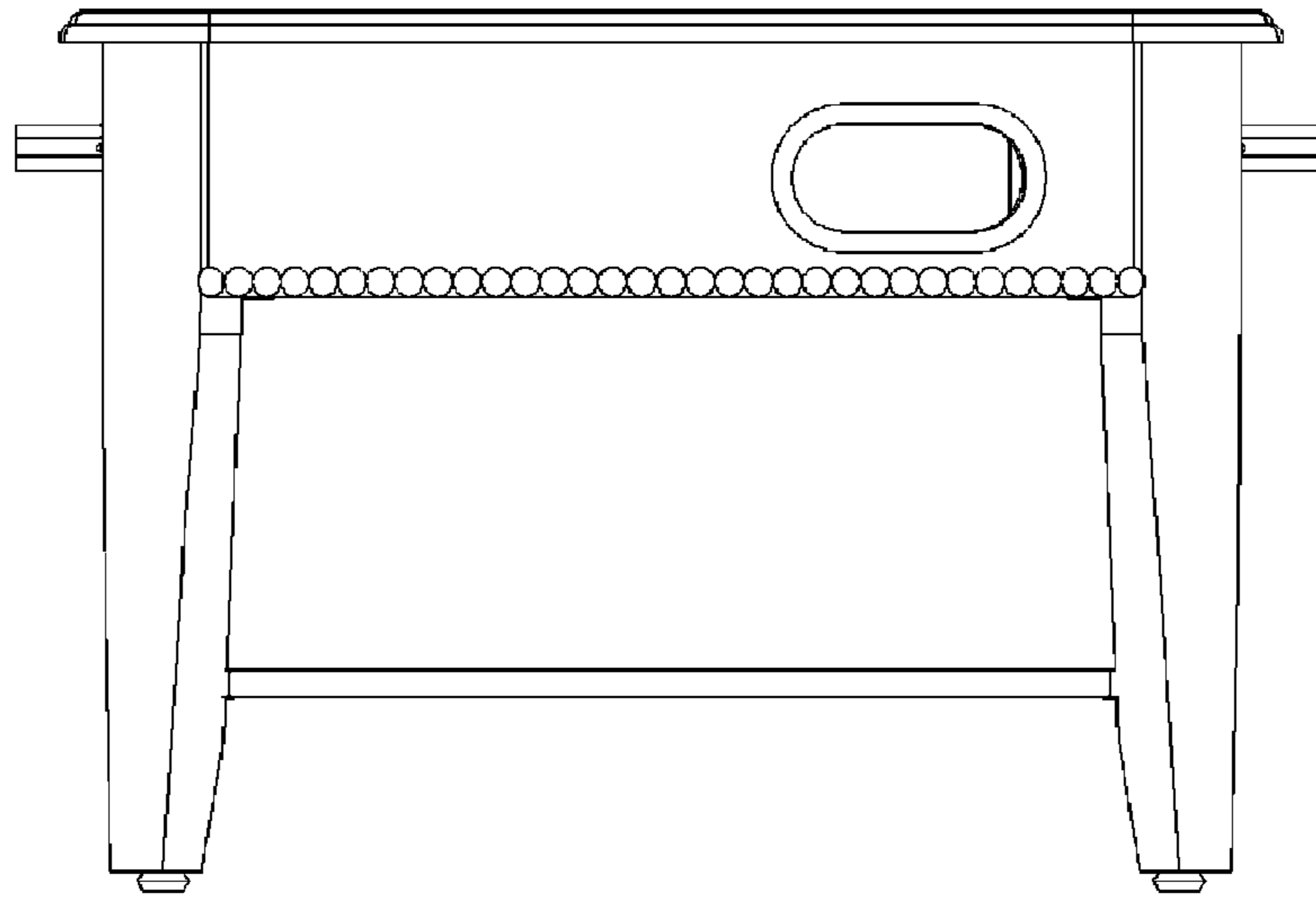


FIG. 4

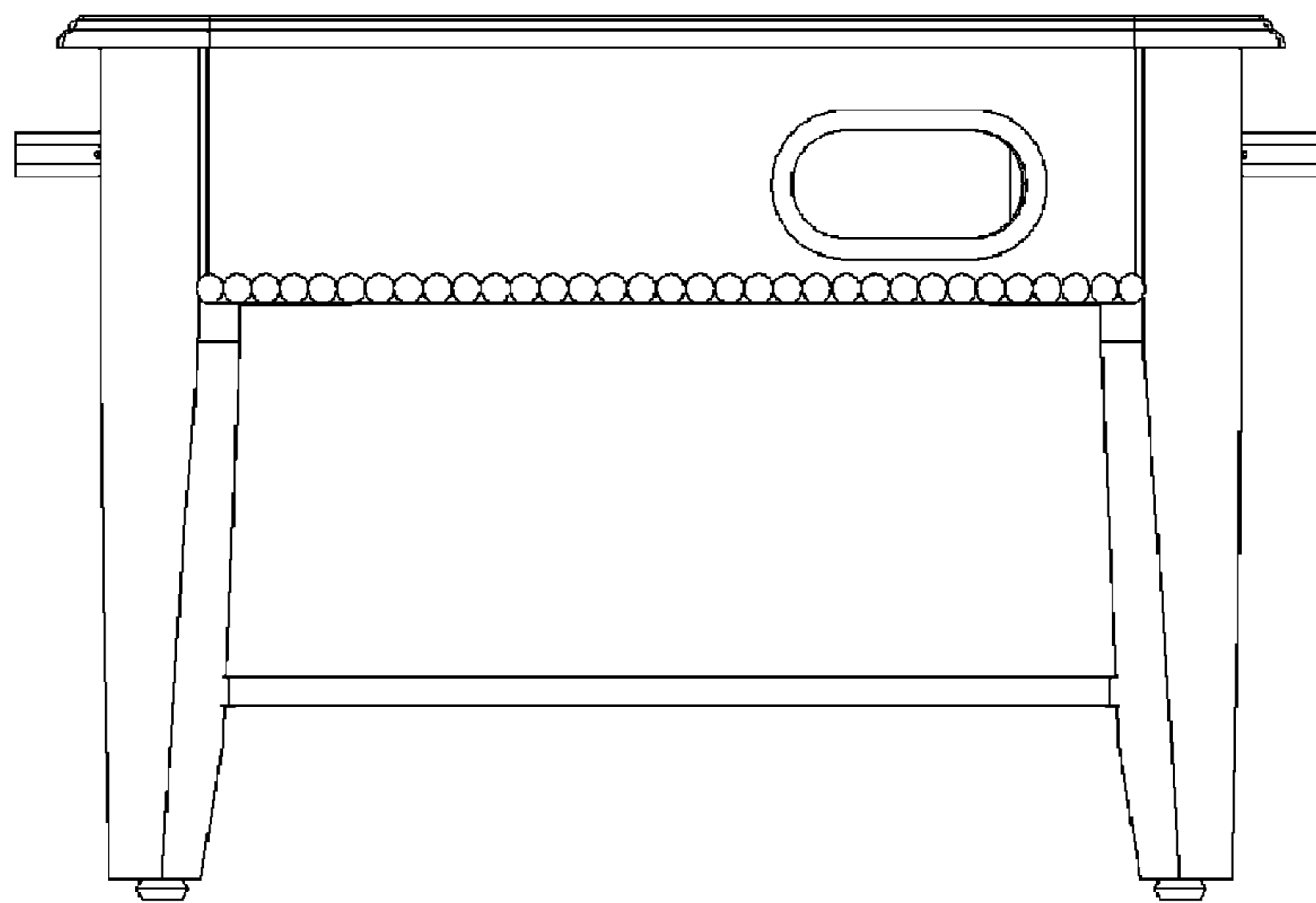


FIG. 5

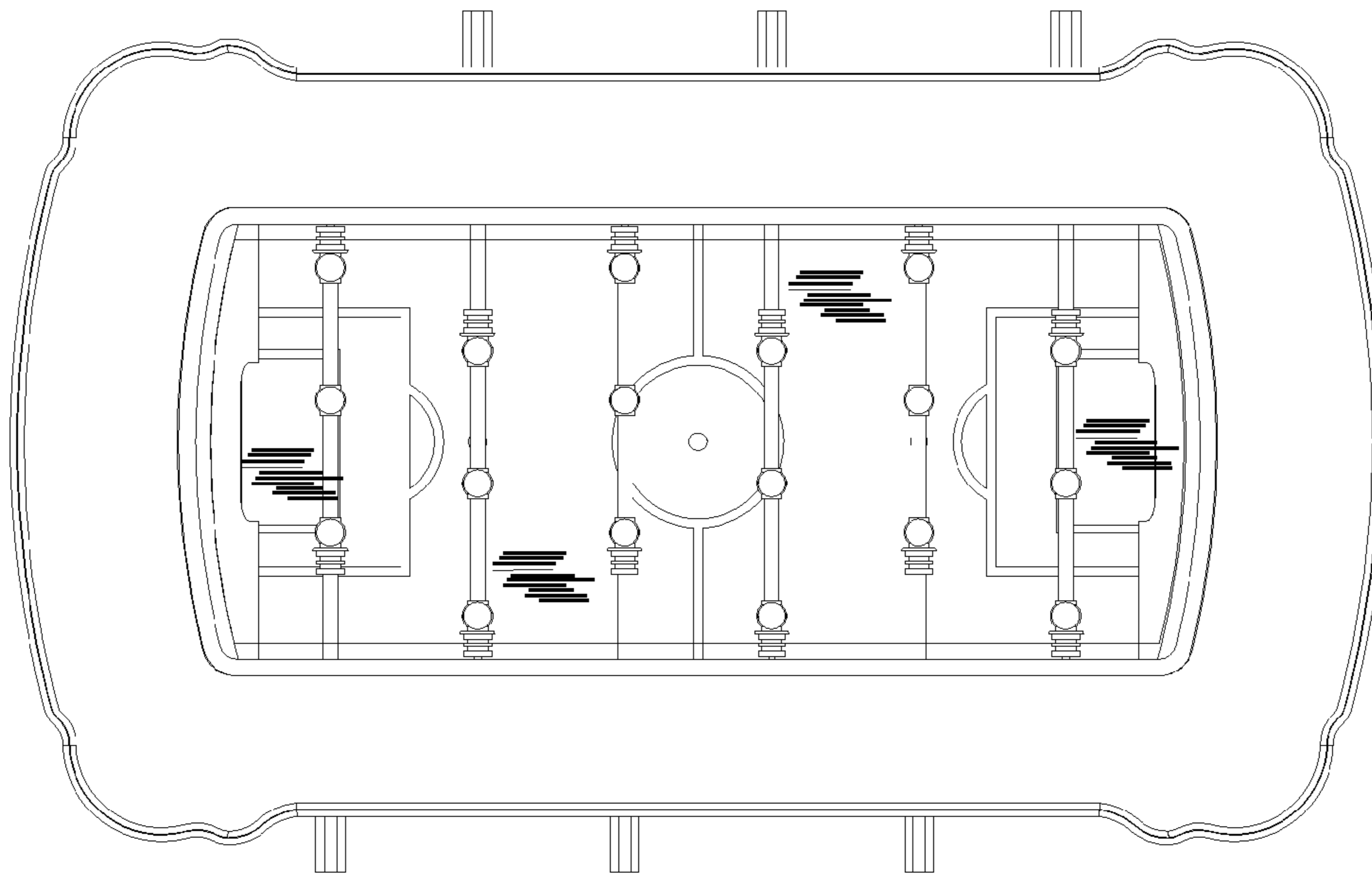


FIG. 6

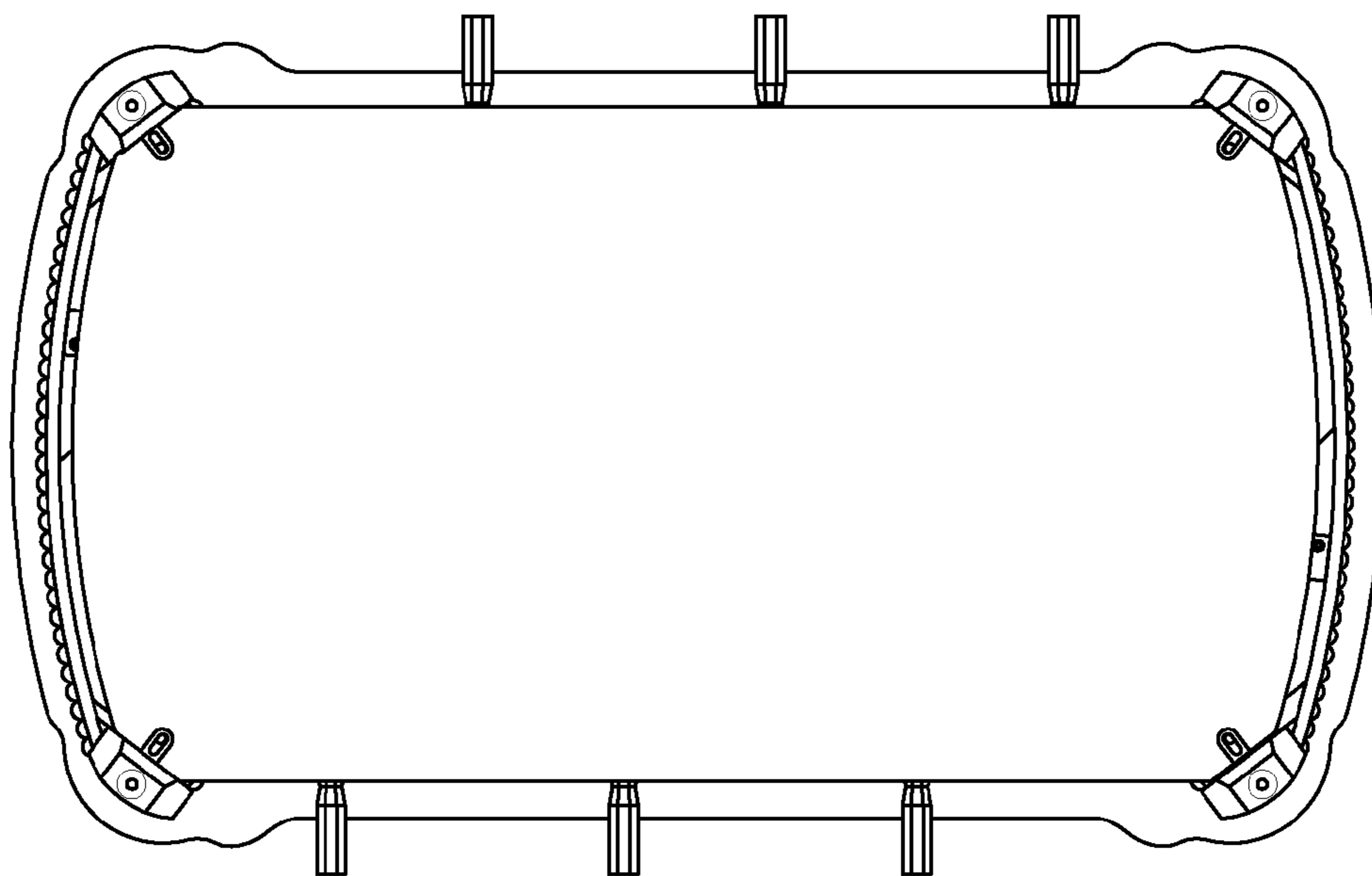


FIG. 7