



US00D626999S

(12) **United States Design Patent**
Voelker et al.

(10) **Patent No.:** **US D626,999 S**
(45) **Date of Patent:** **** Nov. 9, 2010**

(54) **DOCUMENT HOLDER**

(75) Inventors: **Sunshine Voelker**, 1230 Park Ave. W.,
#229, Highland Park, IL (US) 60035;
Kevin Dahlquist, Charlotte, NC (US);
Daniel Bizzell, Davidson, NC (US); **Ian**
Kovacevich, Charlotte, NC (US)

(73) Assignee: **Sunshine Voelker**, Highland Park, IL
(US)

(**) Term: **14 Years**

(21) Appl. No.: **29/300,220**

(22) Filed: **Feb. 29, 2008**

(51) **LOC (9) Cl.** **19-02**

(52) **U.S. Cl.** **D19/86**

(58) **Field of Classification Search** D6/419,
D6/429; D19/26–31, 65, 75, 78, 86–92;
206/215, 425, 555; 248/441.1, 442.2, 450,
248/451, 453, 454, 455, 456, 460, 448, 918;
281/45; 400/718

See application file for complete search history.

(56) **References Cited**

U.S. PATENT DOCUMENTS

880,590	A *	3/1908	Sommer	206/45.24
2,648,366	A *	8/1953	Higbee et al.	206/570
3,664,629	A *	5/1972	Reed	248/445
D303,812	S *	10/1989	Sun	D19/72
5,044,595	A *	9/1991	Carr et al.	248/460
D349,731	S *	8/1994	Leveen et al.	D19/88
5,393,030	A *	2/1995	Tarozzi	248/460
5,441,228	A *	8/1995	Geborek	248/441.1

5,542,640	A *	8/1996	Tarozzi	248/460
5,624,096	A *	4/1997	Haynes	248/451
6,222,728	B1 *	4/2001	Jaggers et al.	361/679.41
6,264,160	B1 *	7/2001	Wells	248/453
D449,164	S *	10/2001	Rosen	D3/282
D456,171	S *	4/2002	Coonan et al.	D6/429
D466,721	S *	12/2002	Coonan et al.	D6/429
7,172,167	B2 *	2/2007	Phifer et al.	248/460
D537,876	S *	3/2007	Balzer	D19/36
D548,968	S *	8/2007	Brown	D3/294
7,380,655	B1 *	6/2008	Thune et al.	206/214
2003/0001064	A1 *	1/2003	Book	248/460
2007/0221811	A1 *	9/2007	Hauser et al.	248/454

* cited by examiner

Primary Examiner—Elizabeth A Albert

(57) **CLAIM**

The ornamental design for a document holder, as shown and described.

DESCRIPTION

FIG. 1 is a perspective view of a document holder showing my new design;

FIG. 2 is a frontal view thereof;

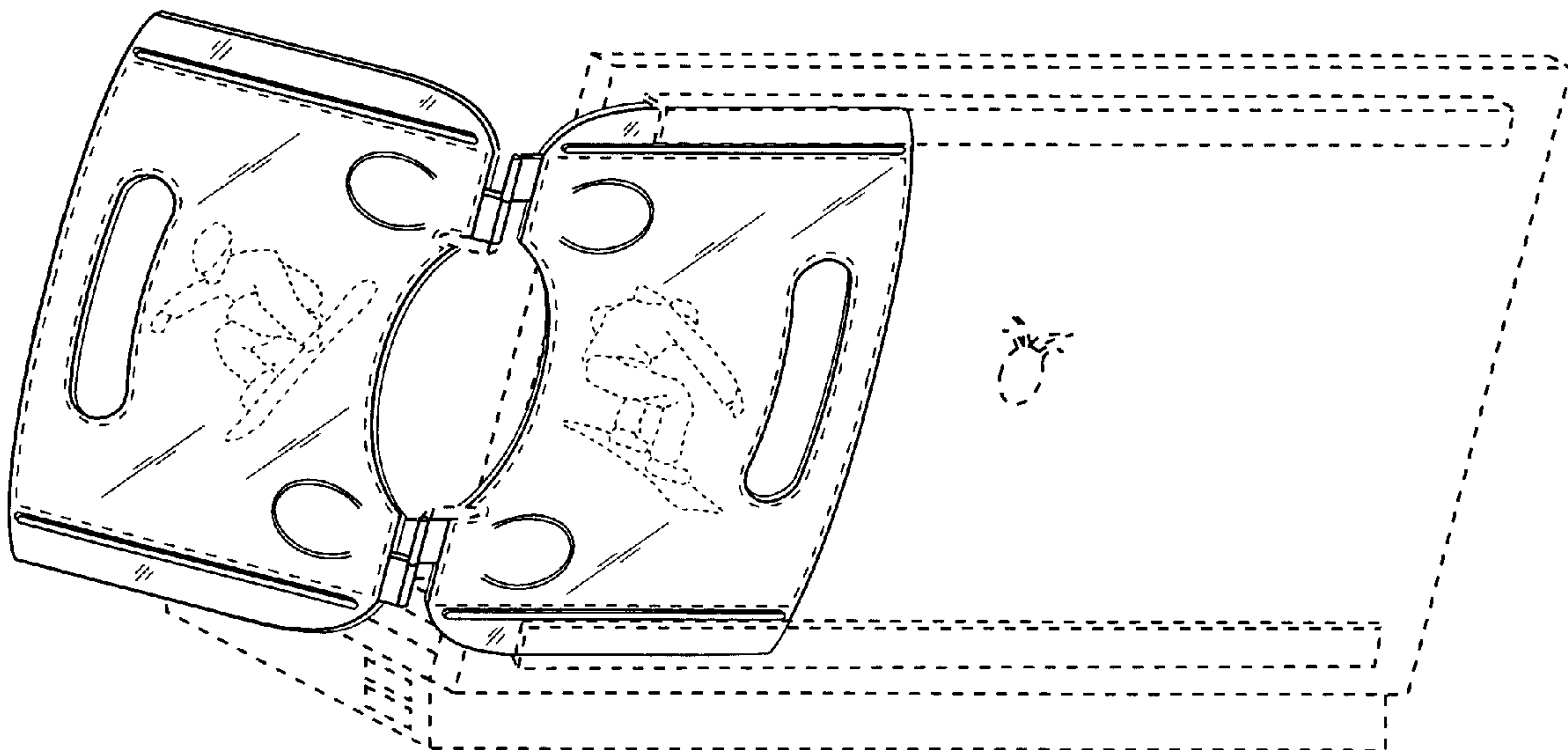
FIG. 3 is an end view thereof with the opposite end view being a mirror image thereof;

FIG. 4 is a side view thereof with the opposite side view being a mirror image thereof; and,

FIG. 5 is a rear view thereof.

The broken lines in the drawings represent environmental matter and form no part of the claimed design.

1 Claim, 4 Drawing Sheets



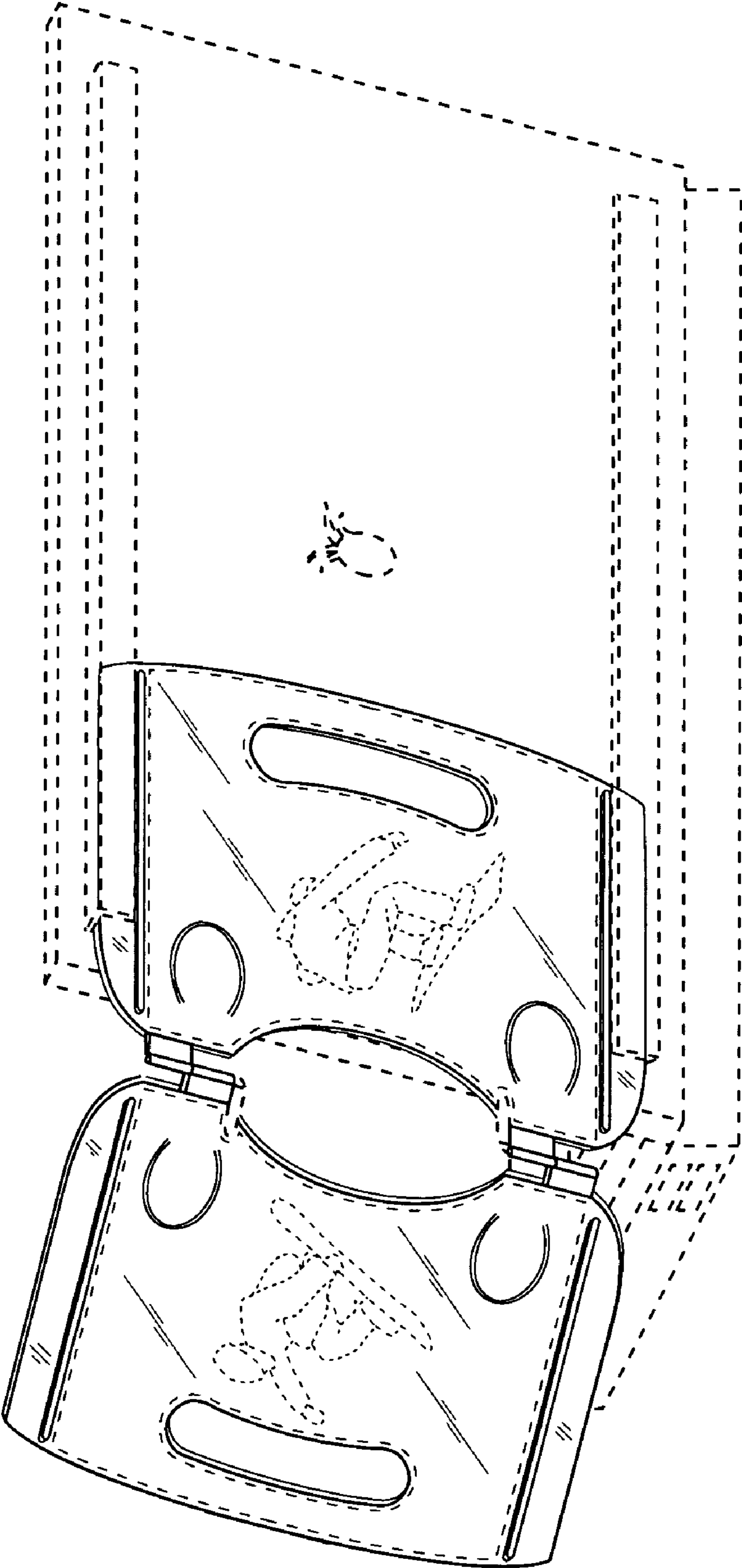


FIG. 1

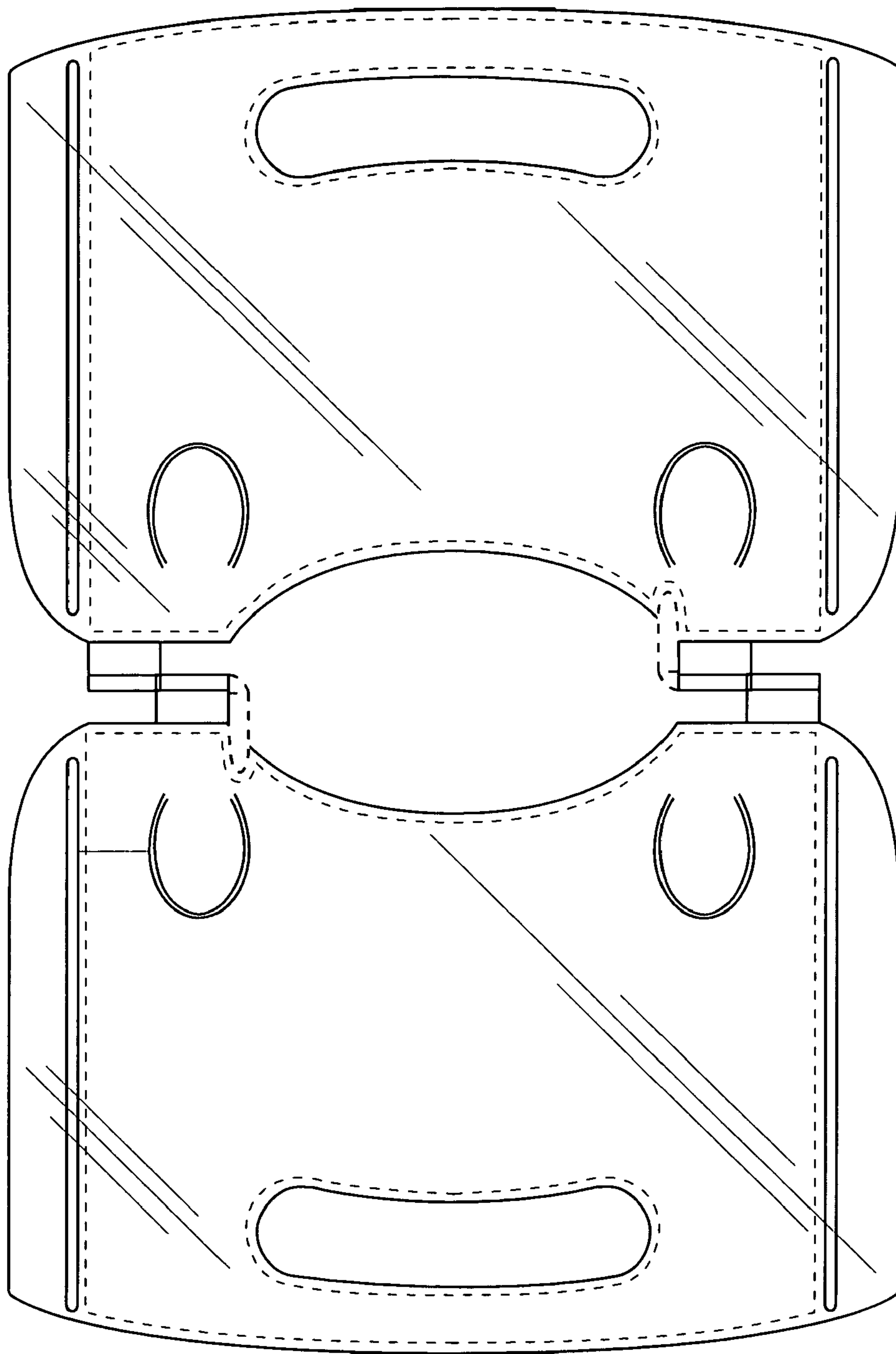


FIG. 2



FIG. 3



FIG. 4

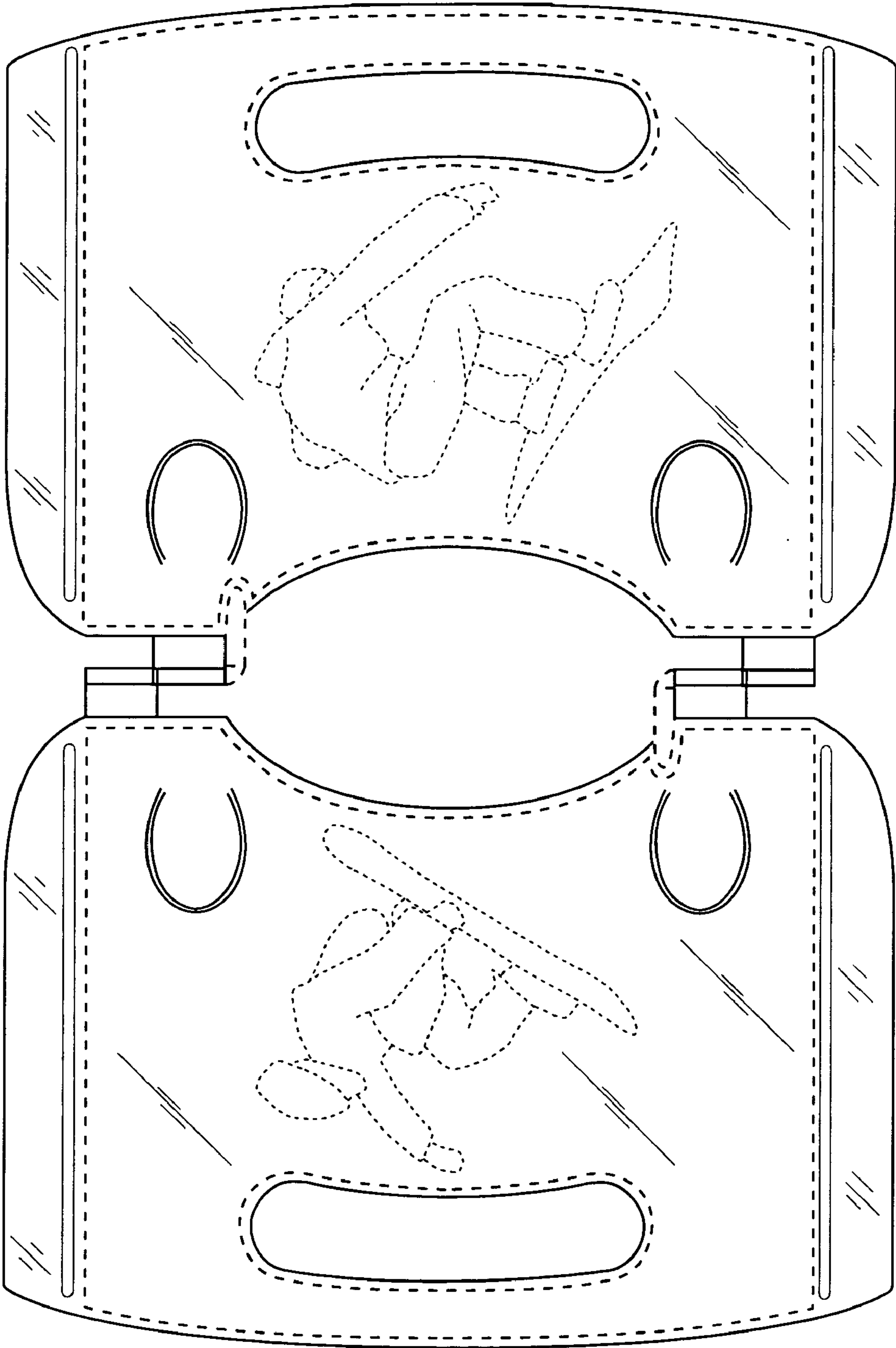


FIG. 5