



US00D626996S

(12) **United States Design Patent**
Leibeck

(10) **Patent No.:** **US D626,996 S**

(45) **Date of Patent:** **** Nov. 9, 2010**

(54) **WRITING INSTRUMENT**

(75) Inventor: **Christian Leibeck**, Nürnberg (DE)

(73) Assignee: **J.S. Staedtler GmbH & Co. KG**,
Nuremberg (DE)

(**) Term: **14 Years**

(21) Appl. No.: **29/315,440**

(22) Filed: **Jun. 25, 2009**

(30) **Foreign Application Priority Data**

Jan. 7, 2009 (EM) 001 066 872

(51) **LOC (9) Cl.** **19-06**

(52) **U.S. Cl.** **D19/48**

(58) **Field of Classification Search** D19/35,
D19/36, 41-51, 53-57; 24/11 R, 11 F, 11 P;
401/52, 99, 100, 104-109, 192, 195, 196
See application file for complete search history.

(56) **References Cited**

U.S. PATENT DOCUMENTS

D283,901 S *	5/1986	Horntrich	D19/50
D303,549 S *	9/1989	Horntrich	D19/48
D330,565 S *	10/1992	Dallaire	D19/48
D345,578 S *	3/1994	Zier	D19/48
D354,984 S *	1/1995	Tsuji	D19/36
D375,524 S *	11/1996	Takahashi	D19/48
D406,277 S *	3/1999	Lecce	D19/48
D436,624 S *	1/2001	Zier	D19/48
D452,527 S *	12/2001	Maki et al.	D19/43

D465,521 S *	11/2002	Qiu	D19/50
7,086,796 B2 *	8/2006	Severa	401/179
D546,884 S *	7/2007	Ternovits	D19/51
D551,708 S *	9/2007	Leibeck	D19/48
D589,559 S *	3/2009	Slomp	D19/51
D592,245 S *	5/2009	Yu et al.	D19/47
D593,604 S *	6/2009	Yu et al.	D19/47
D598,953 S *	8/2009	Yu et al.	D19/47
D607,511 S *	1/2010	Liu	D19/48
D610,615 S *	2/2010	Li	D19/48
D610,616 S *	2/2010	Li	D19/49

* cited by examiner

Primary Examiner—Elizabeth A Albert

(74) *Attorney, Agent, or Firm*—Lucas & Mercanti, LLP;
Klaus P. Stoffel

(57) **CLAIM**

The ornamental design for a writing instrument, as shown and described.

DESCRIPTION

FIG. 1 is a front view of a writing instrument showing my new design;

FIG. 2 is a side view thereof;

FIG. 3 is another side view thereof;

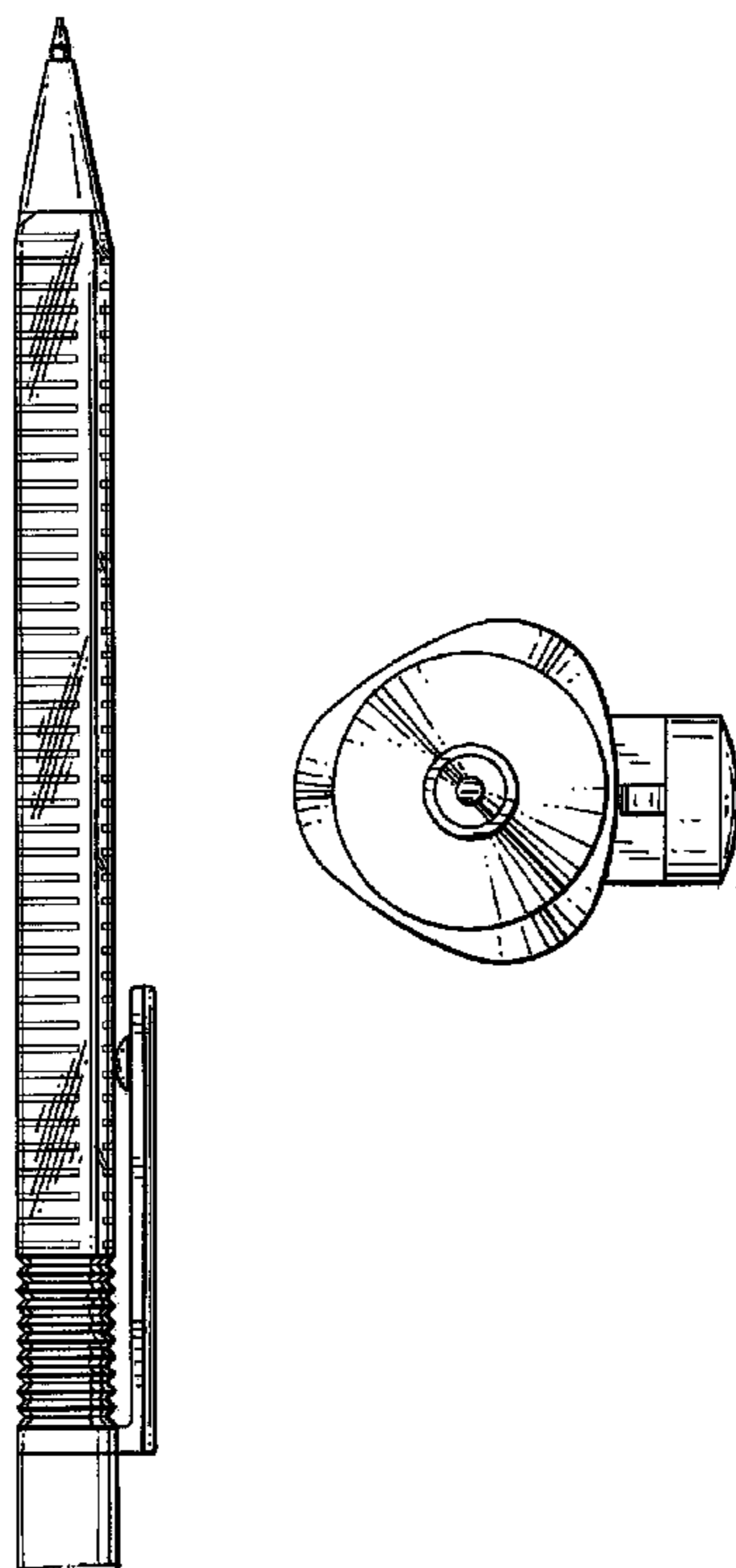
FIG. 4 is a rear view thereof;

FIG. 5 is a top view thereof;

FIG. 6 is a bottom view thereof; and,

FIG. 7 is a perspective front view thereof.

1 Claim, 4 Drawing Sheets



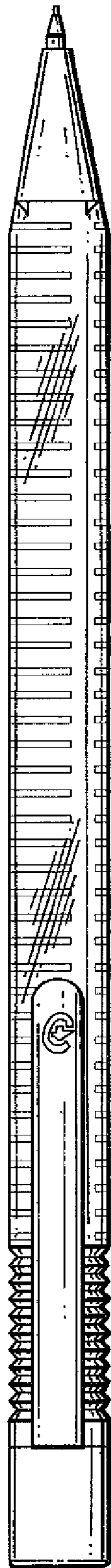


FIG. 1

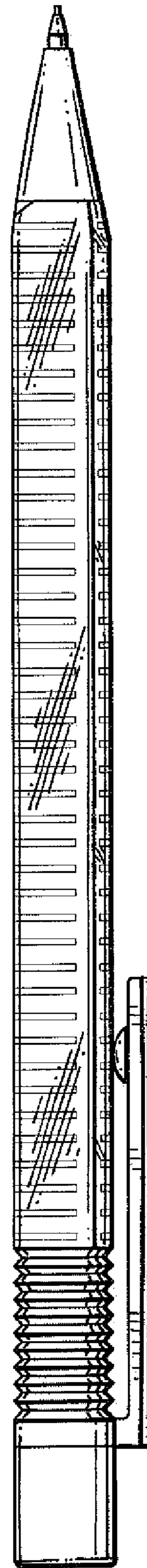


FIG. 2



FIG. 3

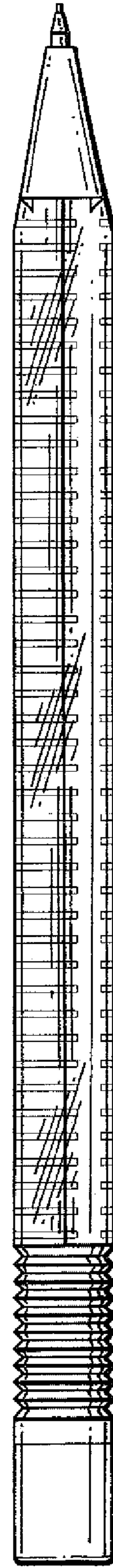


FIG. 4

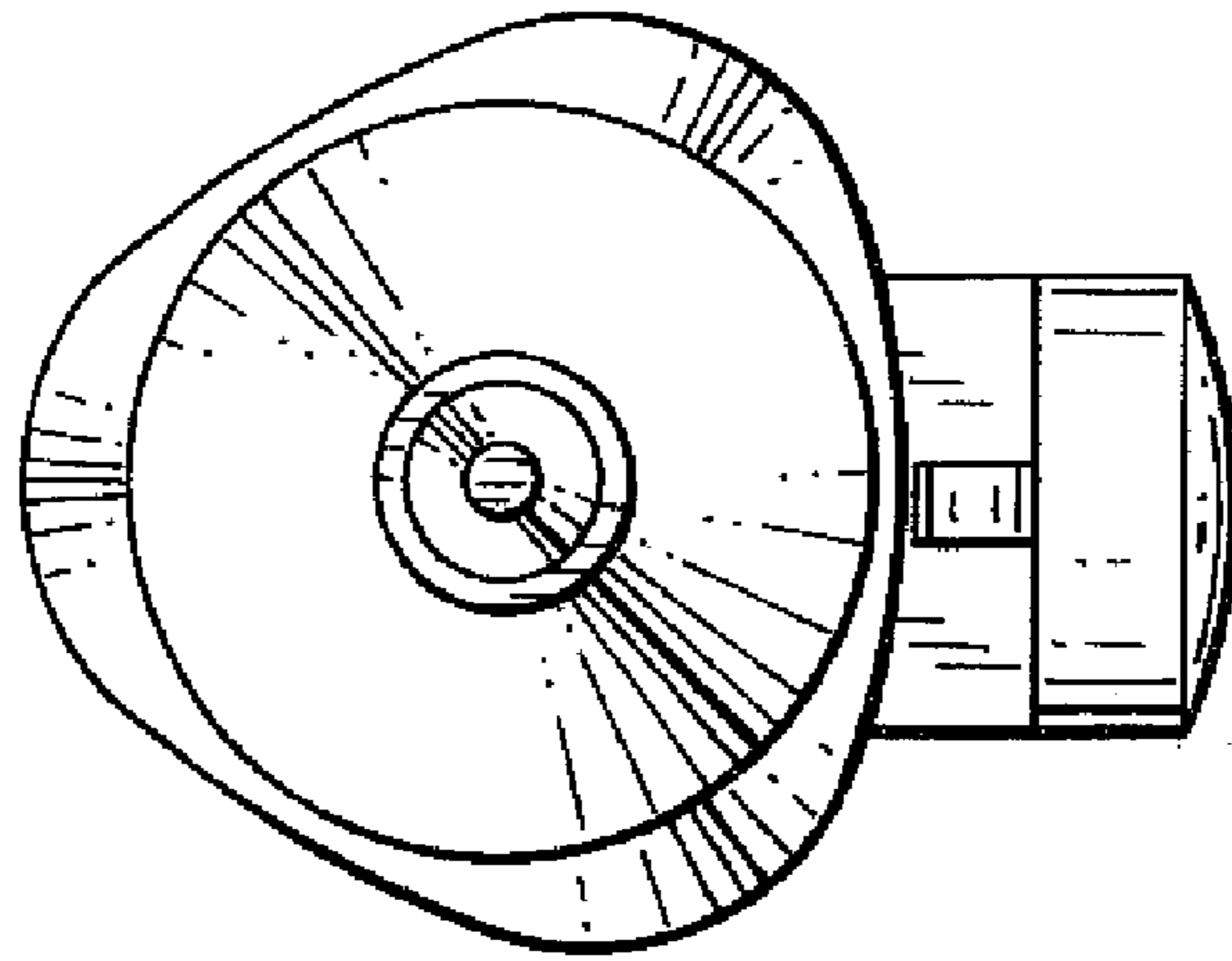


FIG. 5

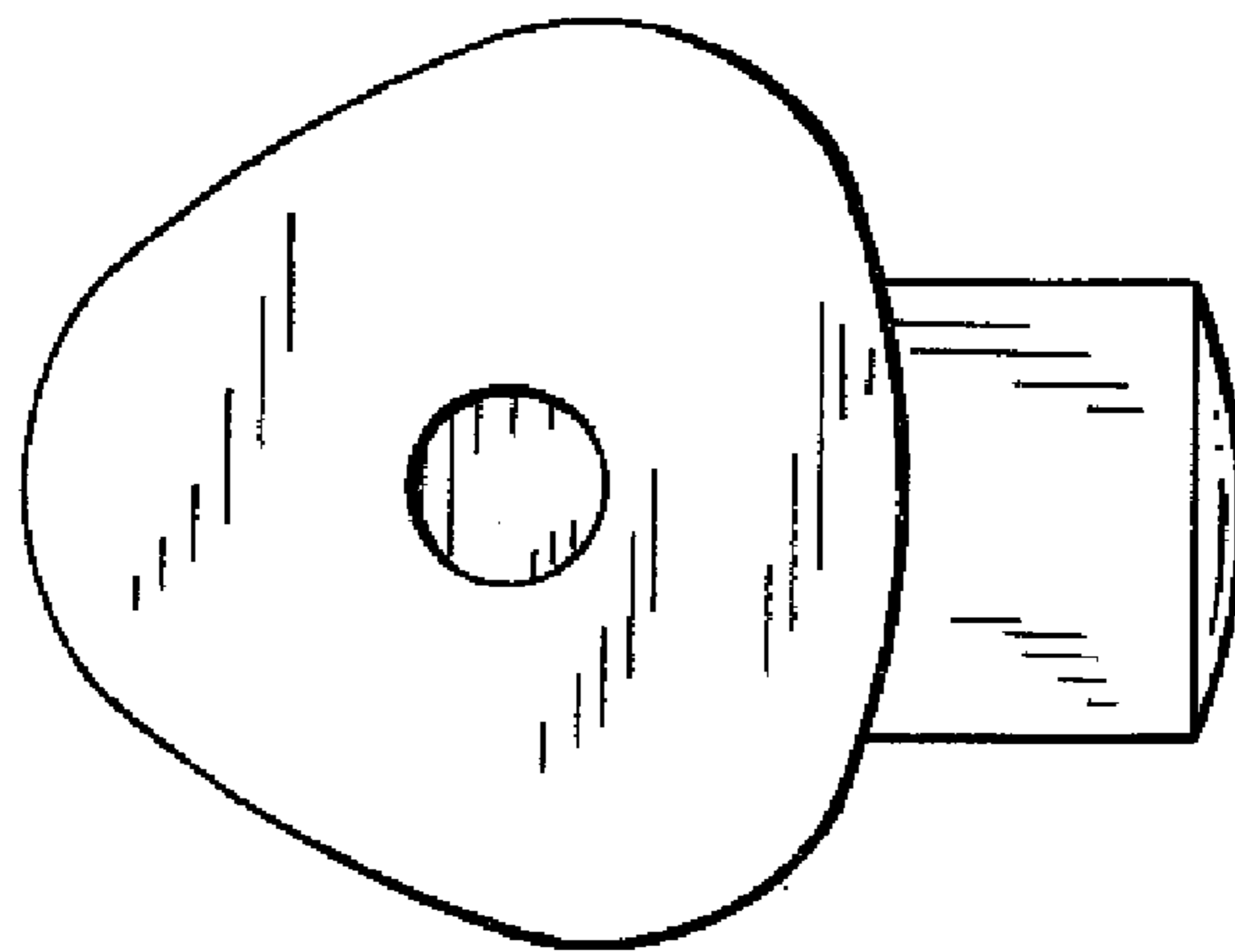


FIG. 6

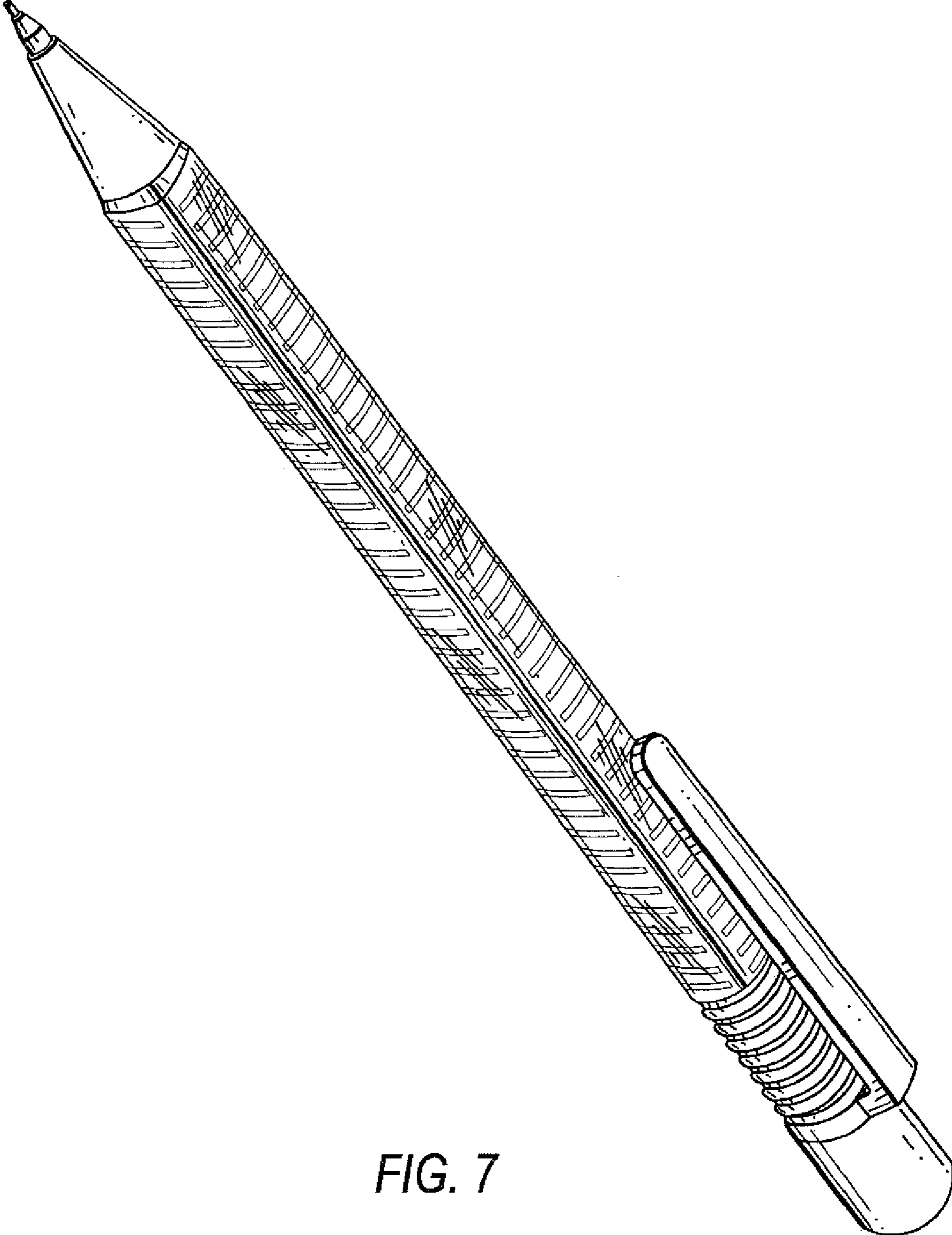


FIG. 7