



US00D626986S

(12) **United States Design Patent**
Chen

(10) **Patent No.:** **US D626,986 S**
(45) **Date of Patent:** **** Nov. 9, 2010**

(54) **PROJECTOR**

(75) Inventor: **Chih-Chung Chen**, Tu-Cheng (TW)

(73) Assignee: **Cheng UEI Precision Industry Co., Ltd.**, Tu-Cheng, Taipei Hsien (TW)

(**) Term: **14 Years**

(21) Appl. No.: **29/351,109**

(22) Filed: **Nov. 30, 2009**

(51) **LOC (9) Cl.** **16-02**

(52) **U.S. Cl.** **D16/230; D16/225**

(58) **Field of Classification Search** D16/200,
D16/205, 206, 208, 221, 213, 225, 230, 229,
D16/231; D21/514; 353/115, 119, 122
See application file for complete search history.

(56) **References Cited**

U.S. PATENT DOCUMENTS

D339,817 S *	9/1993	Fukuda et al.	D16/230
D398,321 S *	9/1998	Iida	D16/230
D479,551 S *	9/2003	Min et al.	D16/230
D510,098 S *	9/2005	Ishikawa et al.	D16/231
D522,037 S *	5/2006	Inoue et al.	D16/230
D552,657 S *	10/2007	Oota	D16/230
D571,390 S *	6/2008	Yamada et al.	D16/230

D599,834 S * 9/2009 Cheng et al. D16/229

* cited by examiner

Primary Examiner—Ian Simmons

Assistant Examiner—Wan Laymon

(74) *Attorney, Agent, or Firm*—Cheng-Ju Chiang

(57) **CLAIM**

The ornamental design for a projector, as shown and described.

DESCRIPTION

FIG. 1 is a front and top perspective view of a projector showing my new design;

FIG. 2 is a front elevational view thereof;

FIG. 3 is a rear elevational view thereof;

FIG. 4 is a left side elevational view thereof;

FIG. 5 is a right side elevational view thereof;

FIG. 6 is a top plan view thereof;

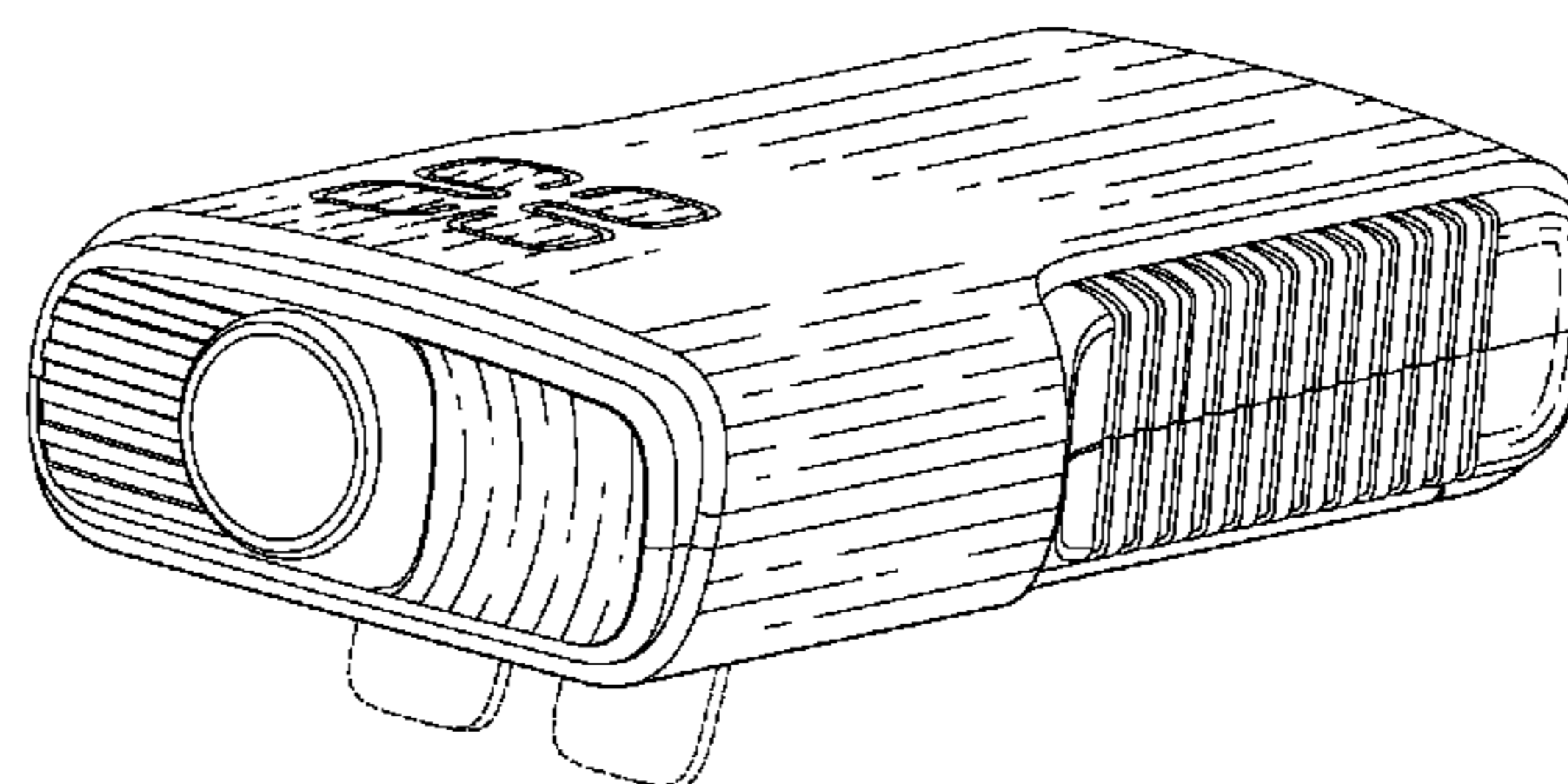
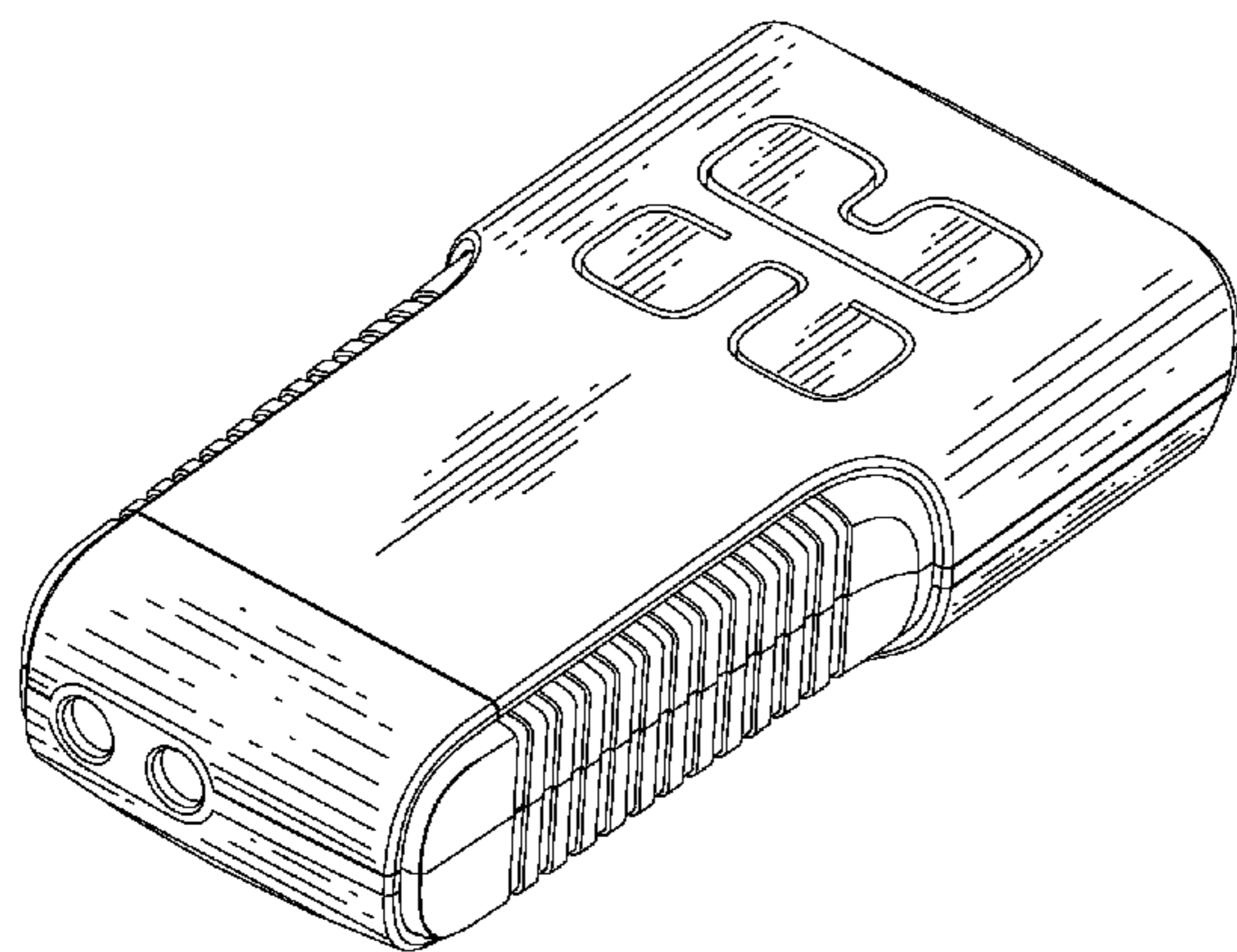
FIG. 7 is a bottom plan view thereof;

FIG. 8 is a rear and bottom perspective view of the projector; and,

FIG. 9 is another front and top perspective view of FIG. 1.

The broken lines in FIG. 9 are included for the purpose of illustrating a portion of the projector that forms no part of the claimed design.

1 Claim, 9 Drawing Sheets



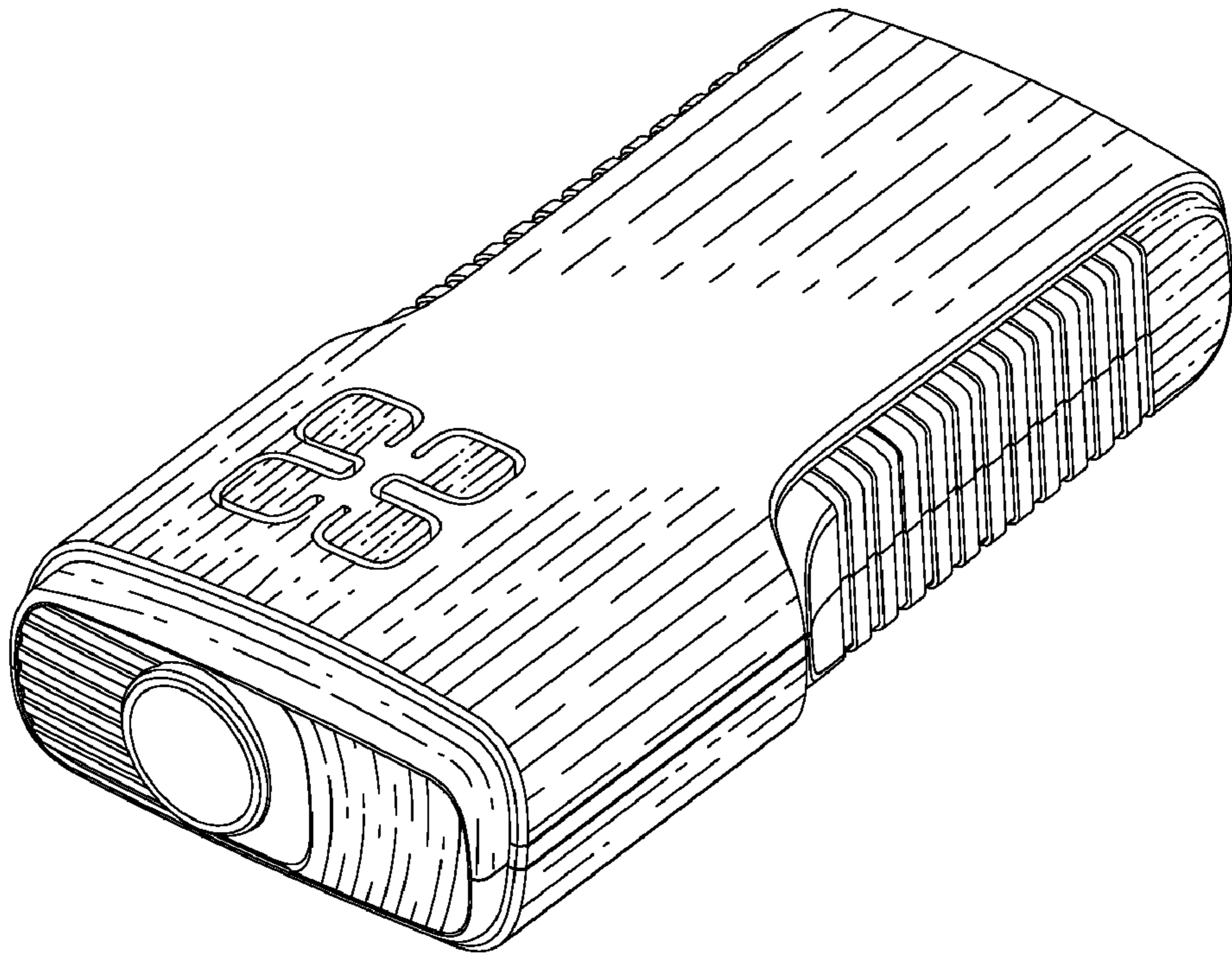


FIG. 1

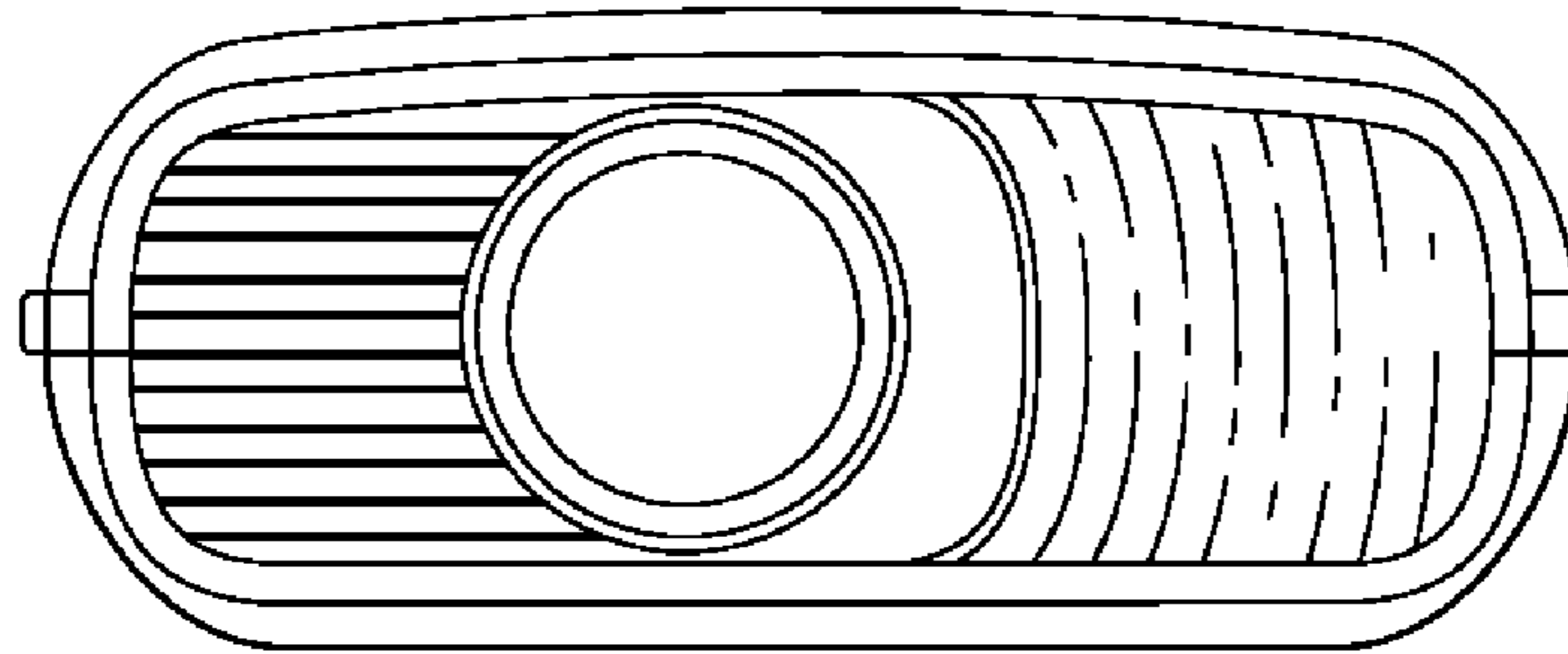


FIG. 2

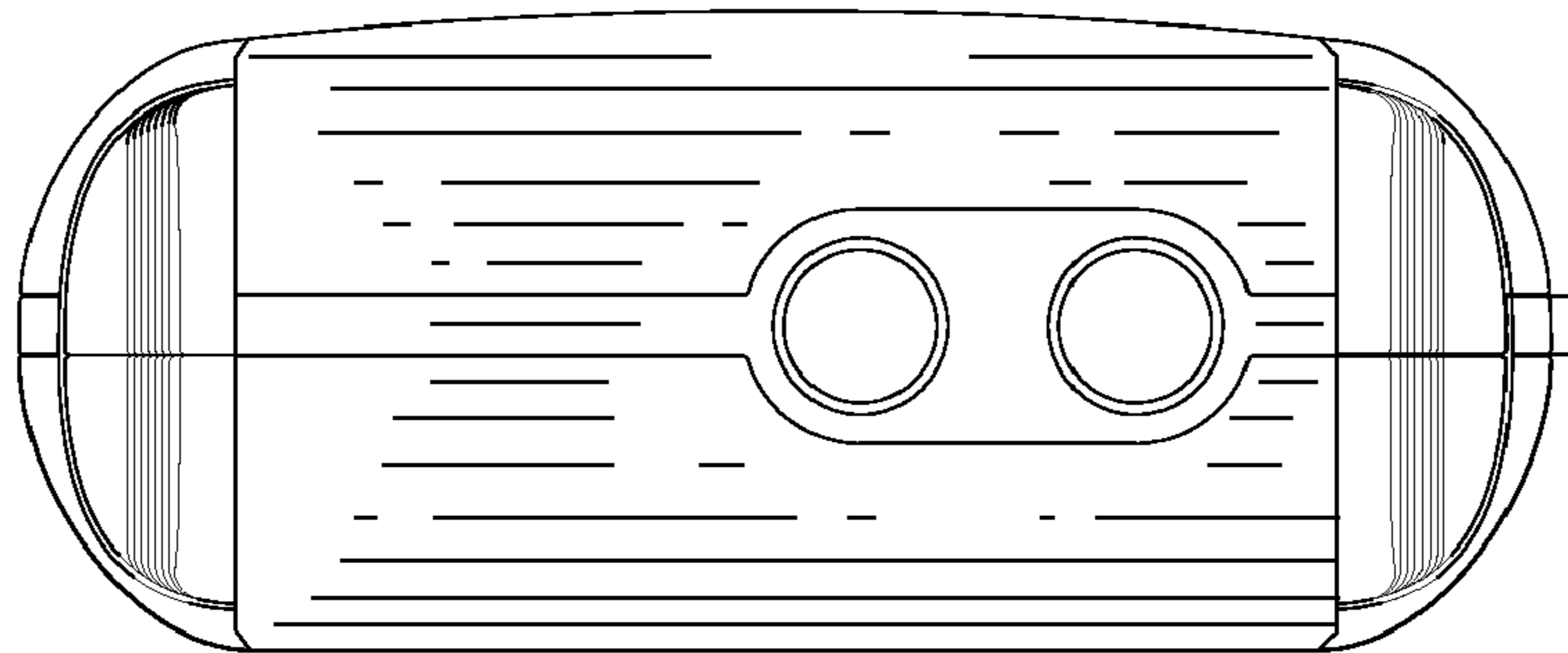


FIG. 3

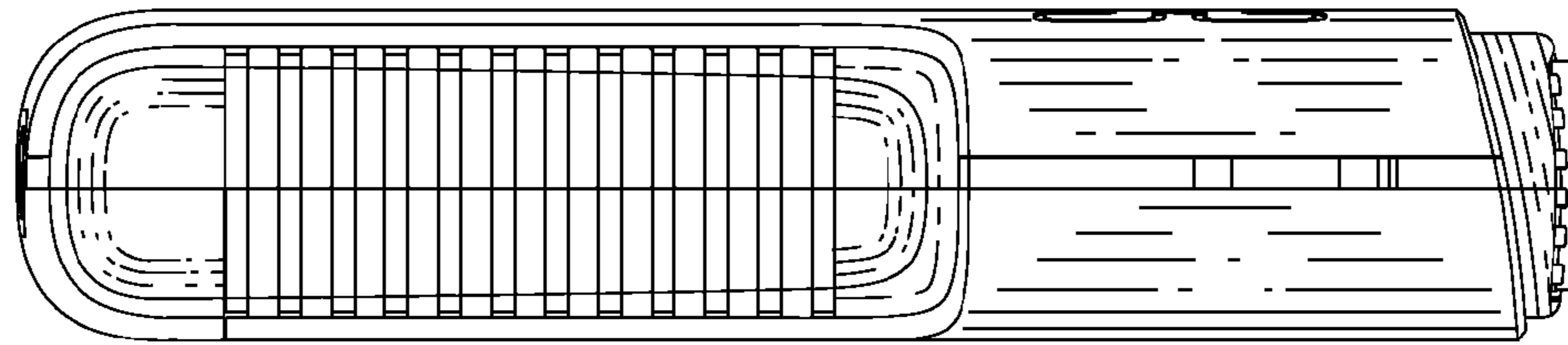


FIG. 4

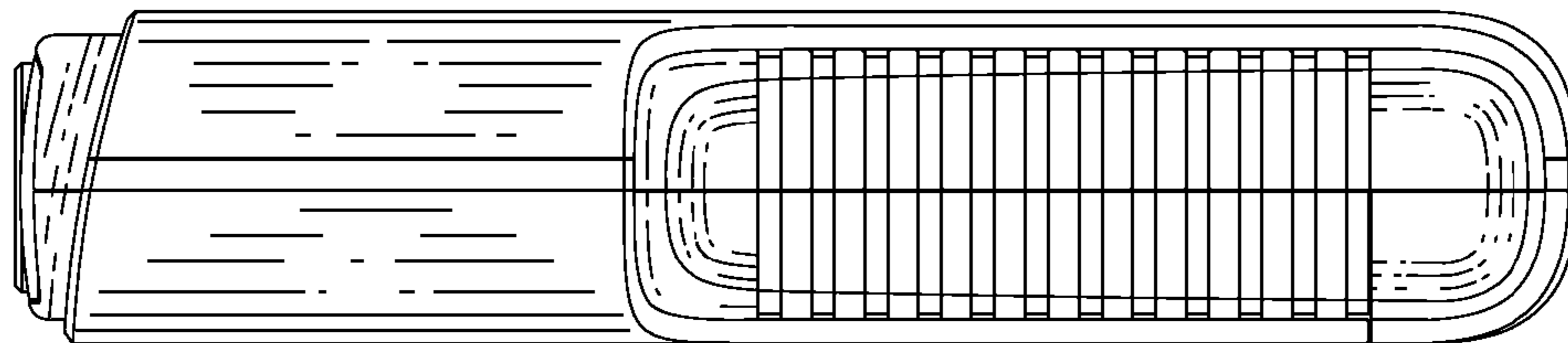


FIG. 5

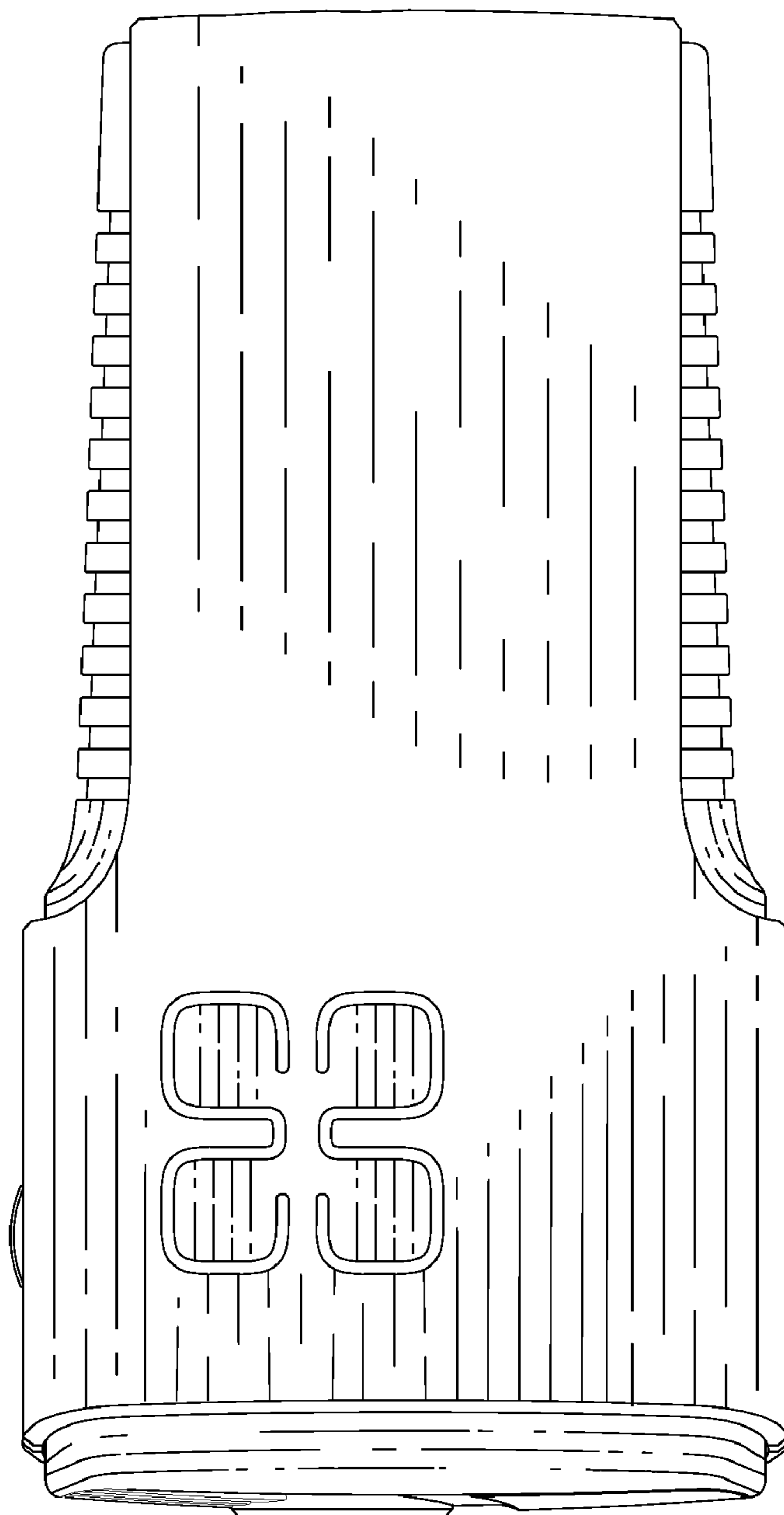


FIG. 6

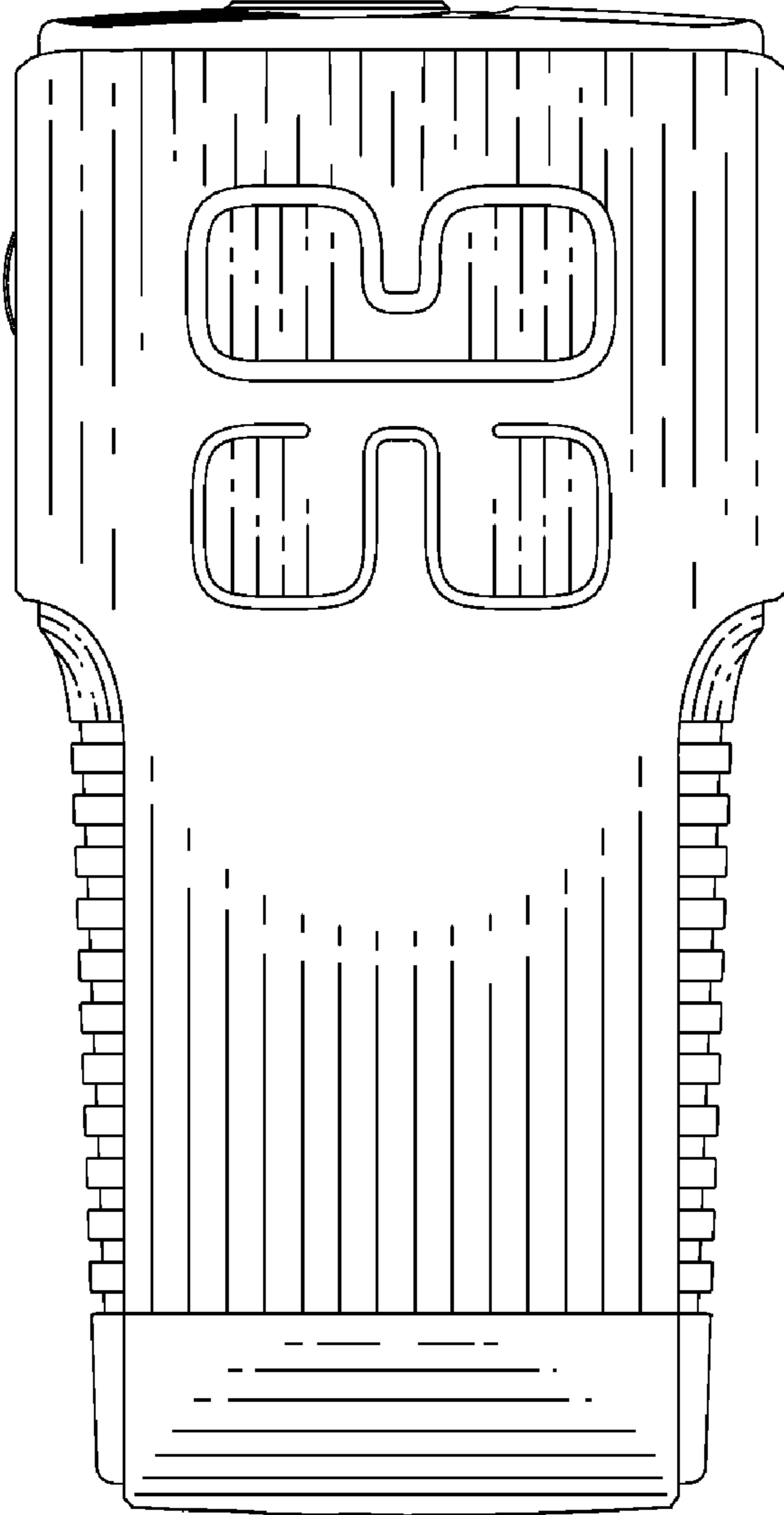


FIG. 7

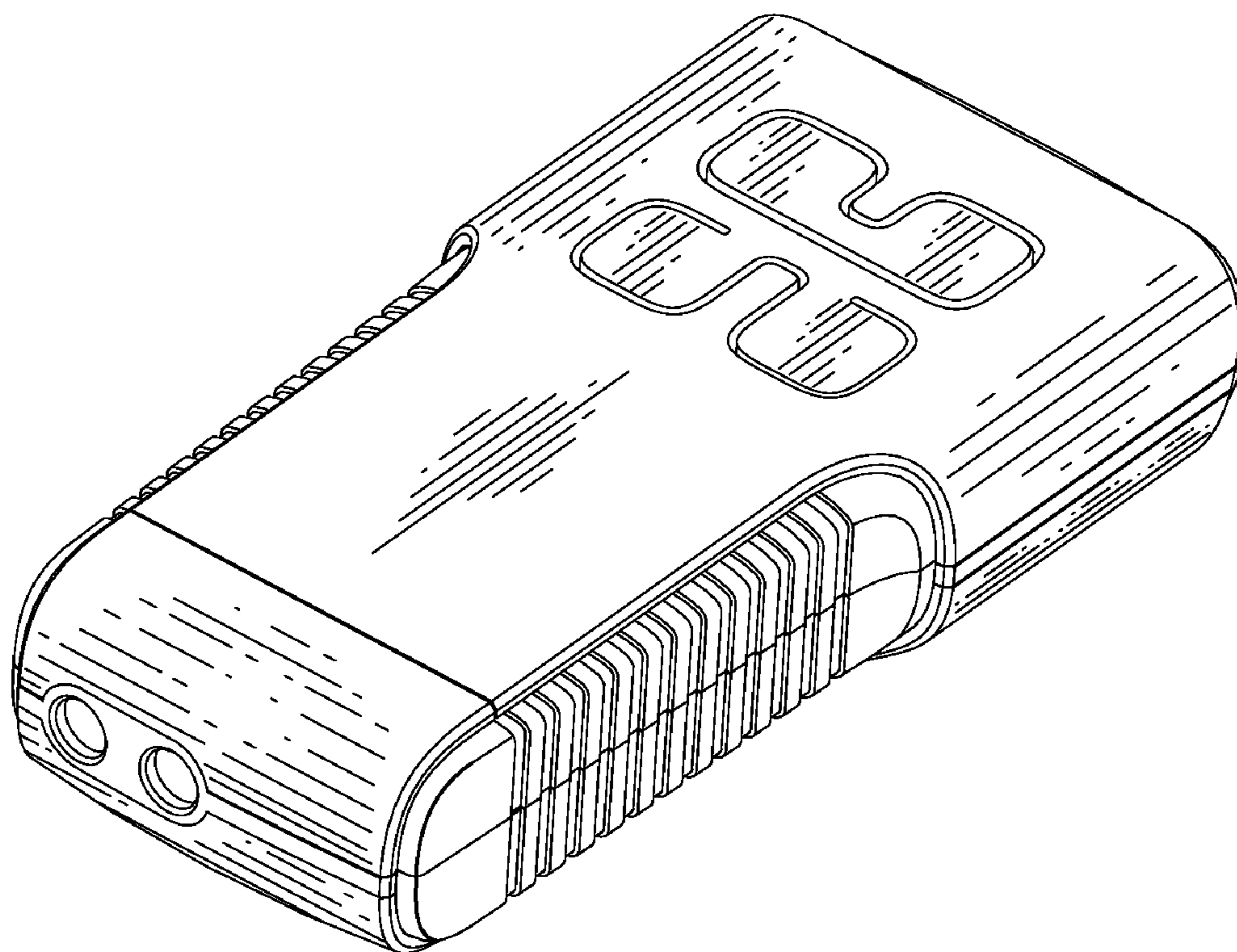


FIG. 8

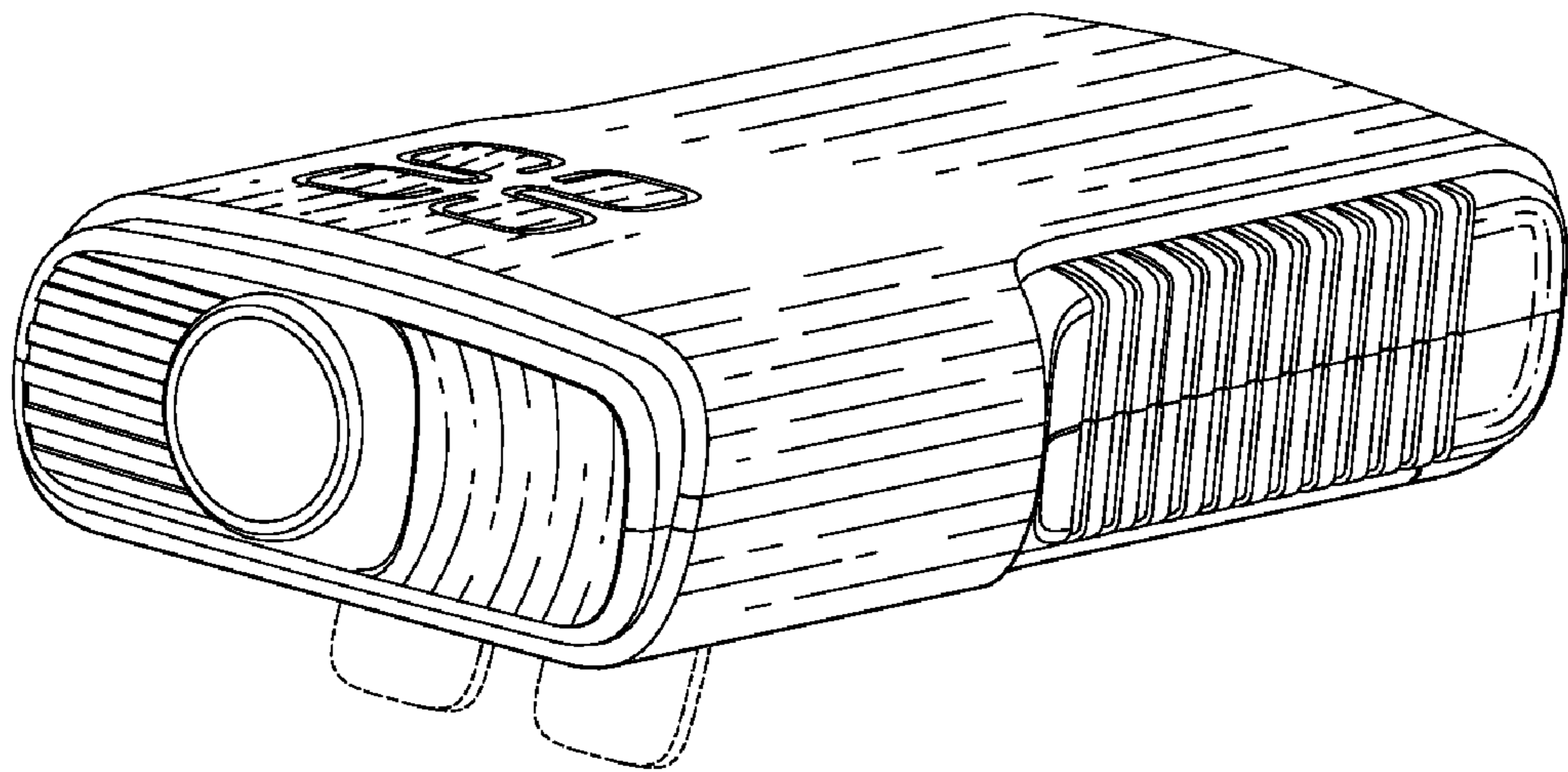


FIG. 9