



US00D626985S

(12) **United States Design Patent**
Imai

(10) **Patent No.:** **US D626,985 S**

(45) **Date of Patent:** **** Nov. 9, 2010**

(54) **ELECTRONIC CAMERA**

(75) Inventor: **Masazumi Imai**, Tokyo (JP)

(73) Assignee: **FUJIFILM Corporation**, Tokyo (JP)

(**) Term: **14 Years**

(21) Appl. No.: **29/338,958**

(22) Filed: **Jun. 22, 2009**

(30) **Foreign Application Priority Data**

Dec. 23, 2008 (JP) 2008-032590

(51) **LOC (9) Cl.** **16-05**

(52) **U.S. Cl.** **D16/219**

(58) **Field of Classification Search** D16/200–204,
D16/218, 219; 348/373–376; 358/909.1;
396/535–541

See application file for complete search history.

(56) **References Cited**

U.S. PATENT DOCUMENTS

D518,499 S * 4/2006 Iue D16/219

D526,675 S * 8/2006 Nasu D16/202
D529,531 S * 10/2006 Hayashi D16/219
D559,297 S * 1/2008 Nakamura D16/219
D571,389 S * 6/2008 Naito D16/219
2006/0139457 A1 * 6/2006 Liao 348/373

* cited by examiner

Primary Examiner—Adir Aronovich

(74) *Attorney, Agent, or Firm*—Young & Thompson

(57) **CLAIM**

The ornamental design for an electronic camera, as shown and described.

DESCRIPTION

FIG. 1 is a rear elevational view of an electronic camera showing my new design; and,

FIG. 2 is a top, rear and side perspective view thereof.

The portions of the electronic camera in broken lines are shown for illustrative purposes only and form no part of the claimed design.

1 Claim, 2 Drawing Sheets

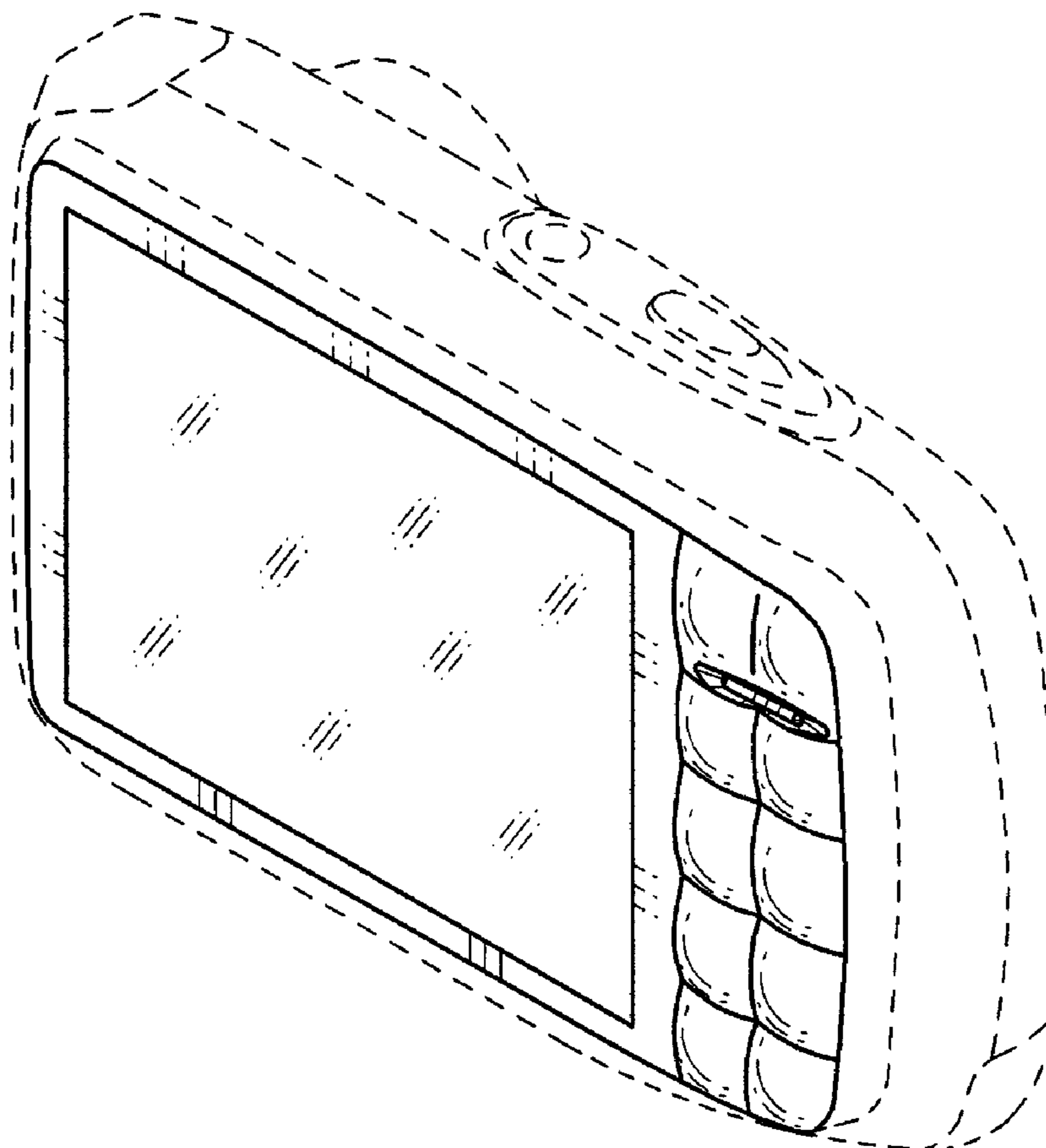


FIG. 1

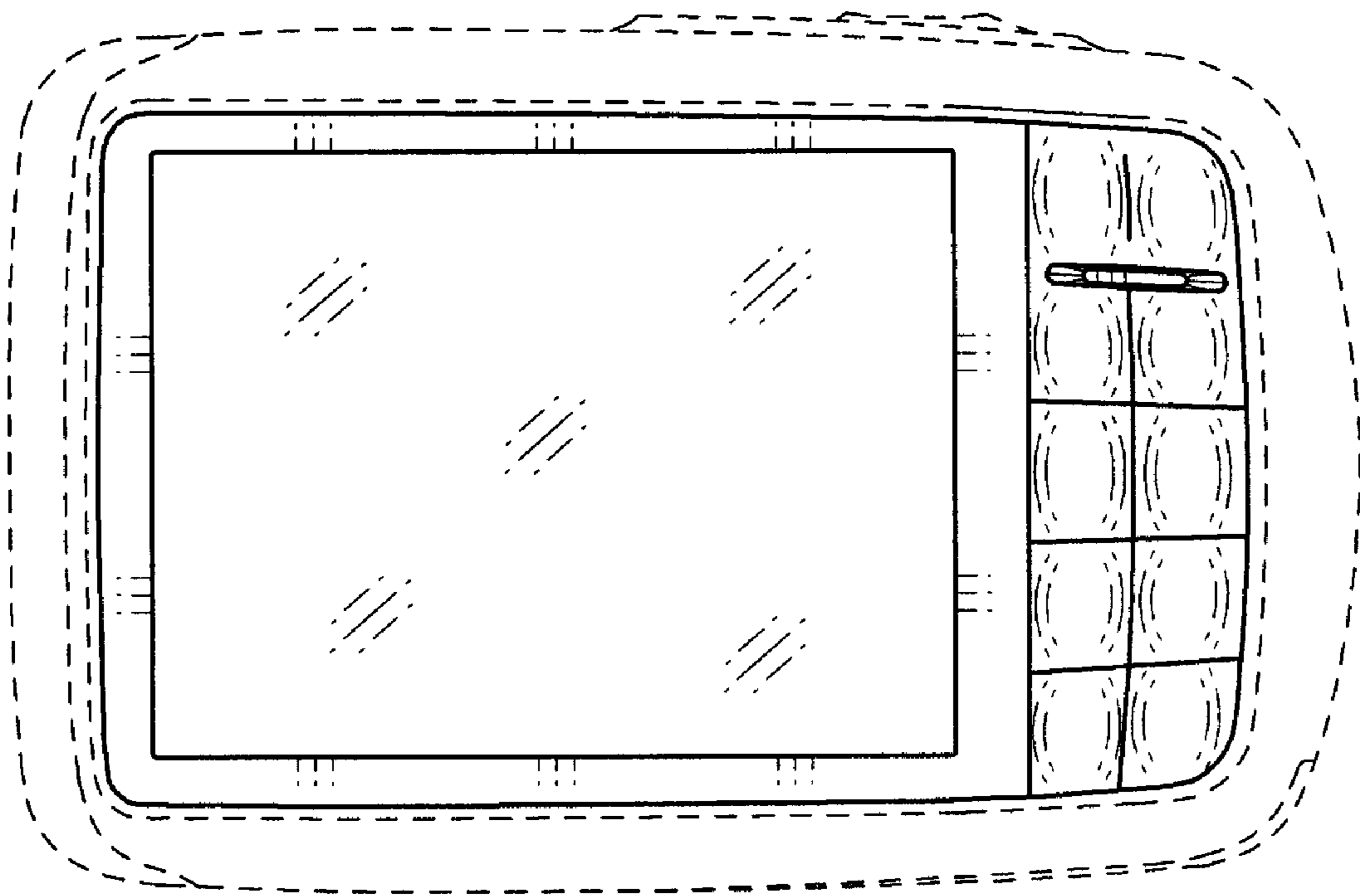


FIG. 2

