



US00D626984S

(12) **United States Design Patent**  
**Miyaji**

(10) **Patent No.:** **US D626,984 S**  
(45) **Date of Patent:** **\*\* Nov. 9, 2010**

(54) **NETWORK CAMERA**

(75) Inventor: **Taihei Miyaji**, Tokyo (JP)

(73) Assignee: **Kabushiki Kaisha Toshiba** (JP)

(\*\*) Term: **14 Years**

(21) Appl. No.: **29/358,069**

(22) Filed: **Mar. 22, 2010**

(51) **LOC (9) Cl.** ..... **16-01**

(52) **U.S. Cl.** ..... **D16/203; D16/202**

(58) **Field of Classification Search** ..... D16/200–204,  
D16/218; 348/143, 373–376; 396/427, 535–541  
See application file for complete search history.

(56) **References Cited**

**U.S. PATENT DOCUMENTS**

D478,108 S *	8/2003	Miyazaki	.....	D16/202
D502,196 S *	2/2005	Miyazaki	.....	D16/202
D542,319 S *	5/2007	Ishida et al.	.....	D16/203
D542,320 S *	5/2007	Cheng	.....	D16/203
D543,566 S *	5/2007	Kato et al.	.....	D16/203
D545,860 S *	7/2007	Miyazaki	.....	D16/202
D556,803 S *	12/2007	Ishida	.....	D16/203

D579,474 S *	10/2008	Yoo et al.	.....	D16/203
7,609,321 B2 *	10/2009	Yamane	.....	348/373
2005/0206779 A1 *	9/2005	Aoki et al.	.....	348/373

\* cited by examiner

*Primary Examiner*—Adir Aronovich  
(74) *Attorney, Agent, or Firm*—Banner & Witcoff, Ltd.

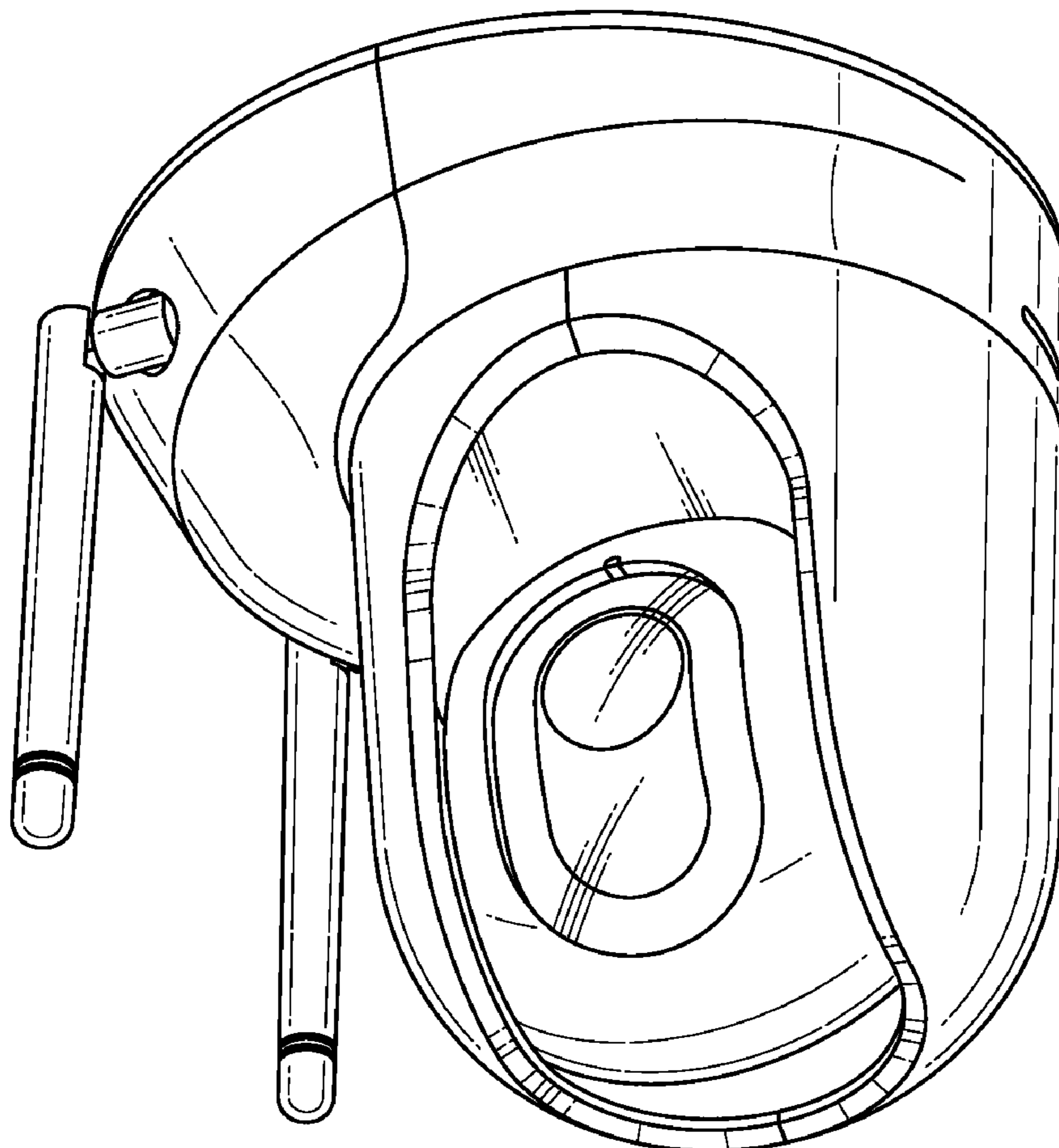
(57) **CLAIM**

The ornamental design for a network camera, as shown and described.

**DESCRIPTION**

FIG. 1 is a front, bottom and right side perspective view of a network camera, showing my new design;  
FIG. 2 is a front elevational view thereof;  
FIG. 3 is a rear elevational view thereof;  
FIG. 4 is a top plan view thereof;  
FIG. 5 is a bottom plan view thereof;  
FIG. 6 is a right side elevational view thereof; and,  
FIG. 7 is a left side elevational view thereof.

**1 Claim, 6 Drawing Sheets**



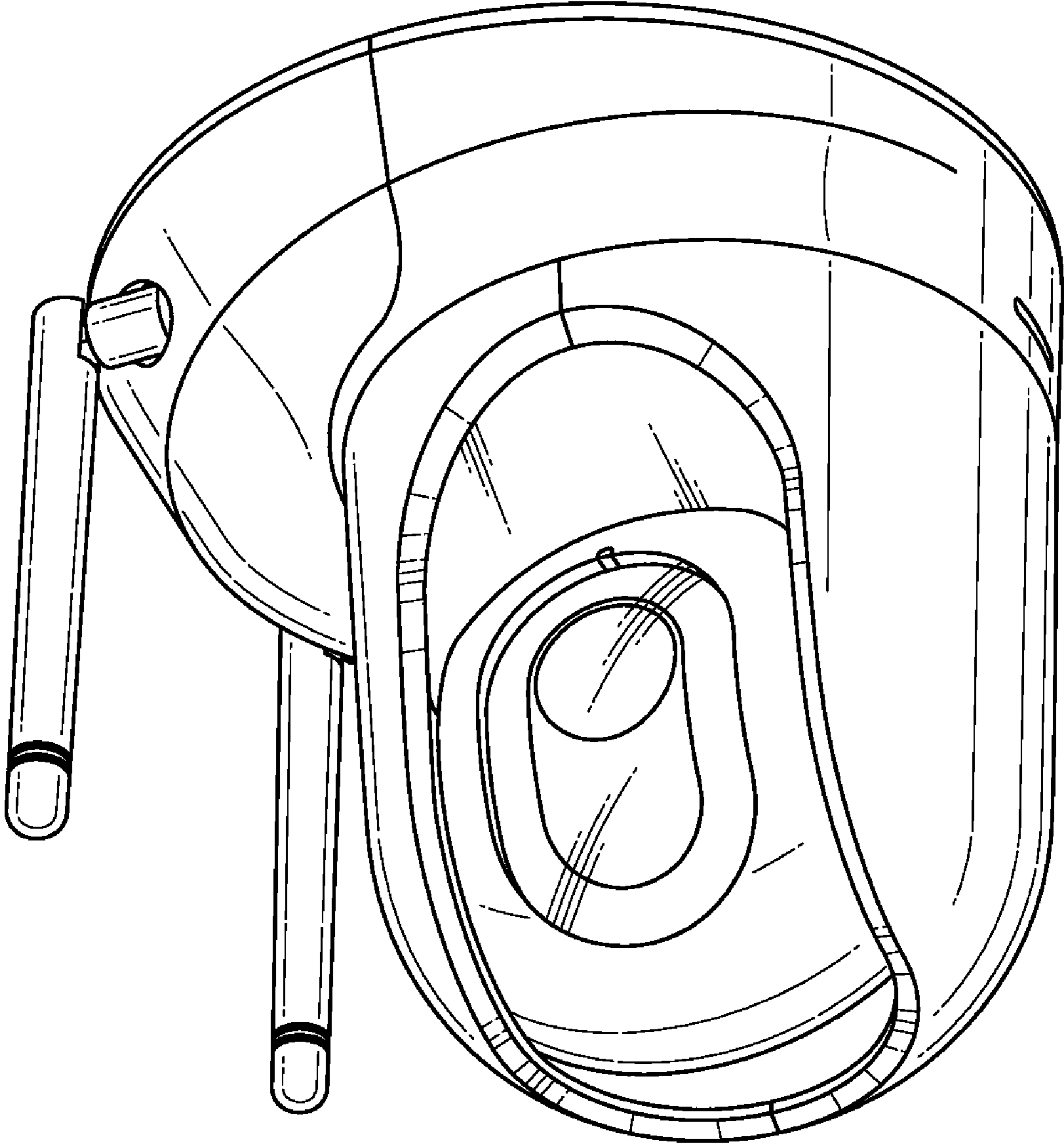


FIG. 1

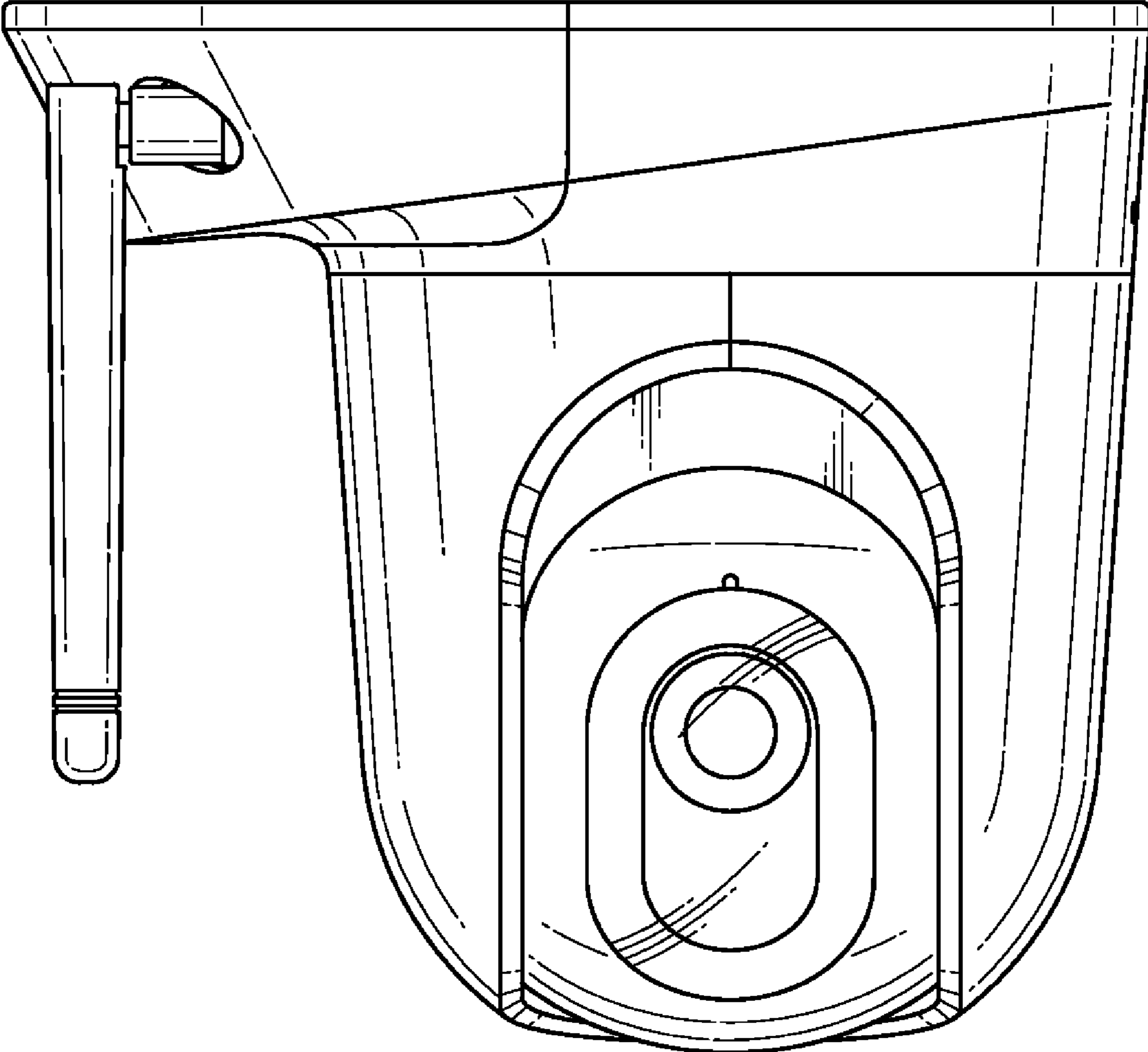


FIG.2

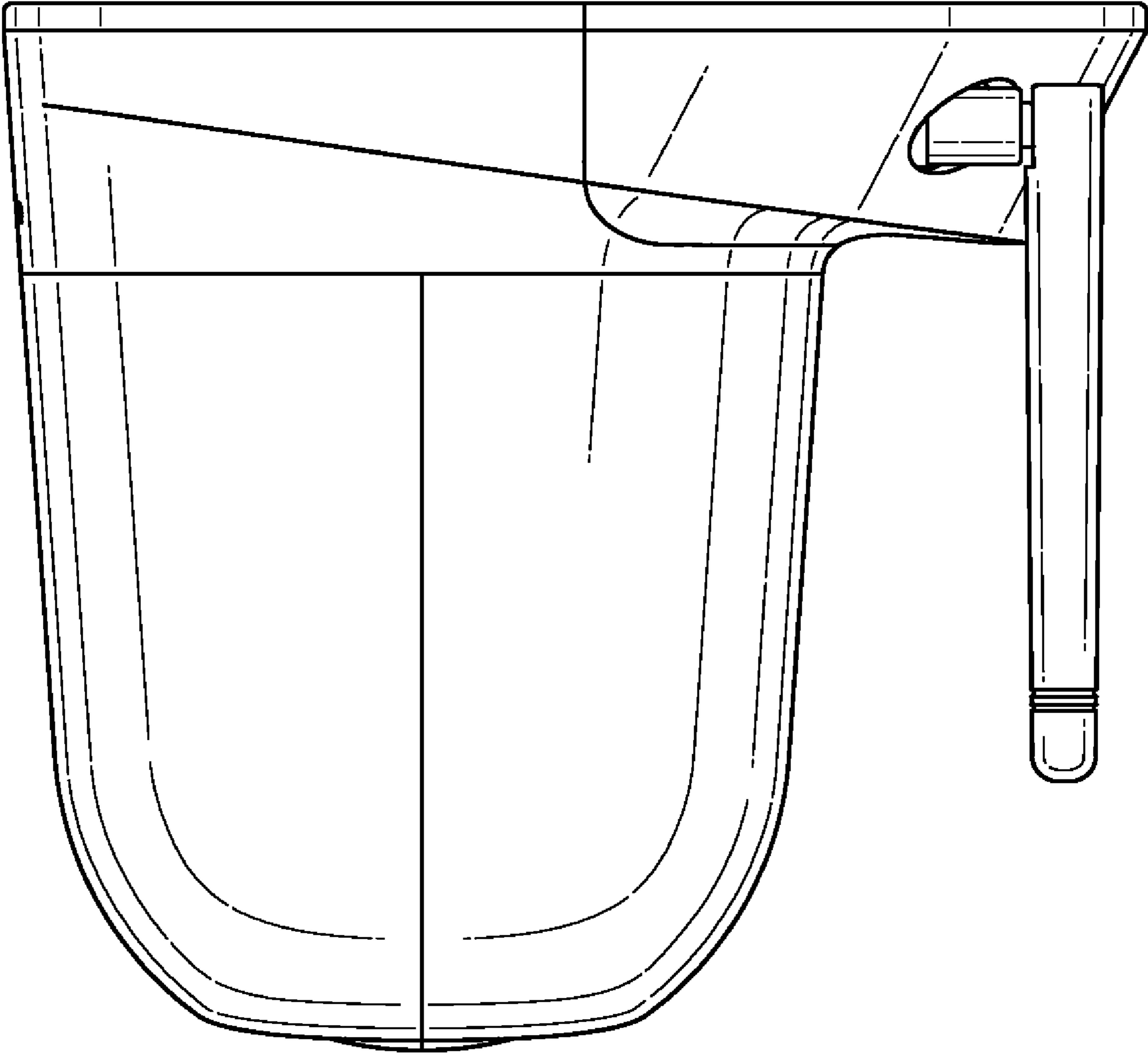


FIG.3

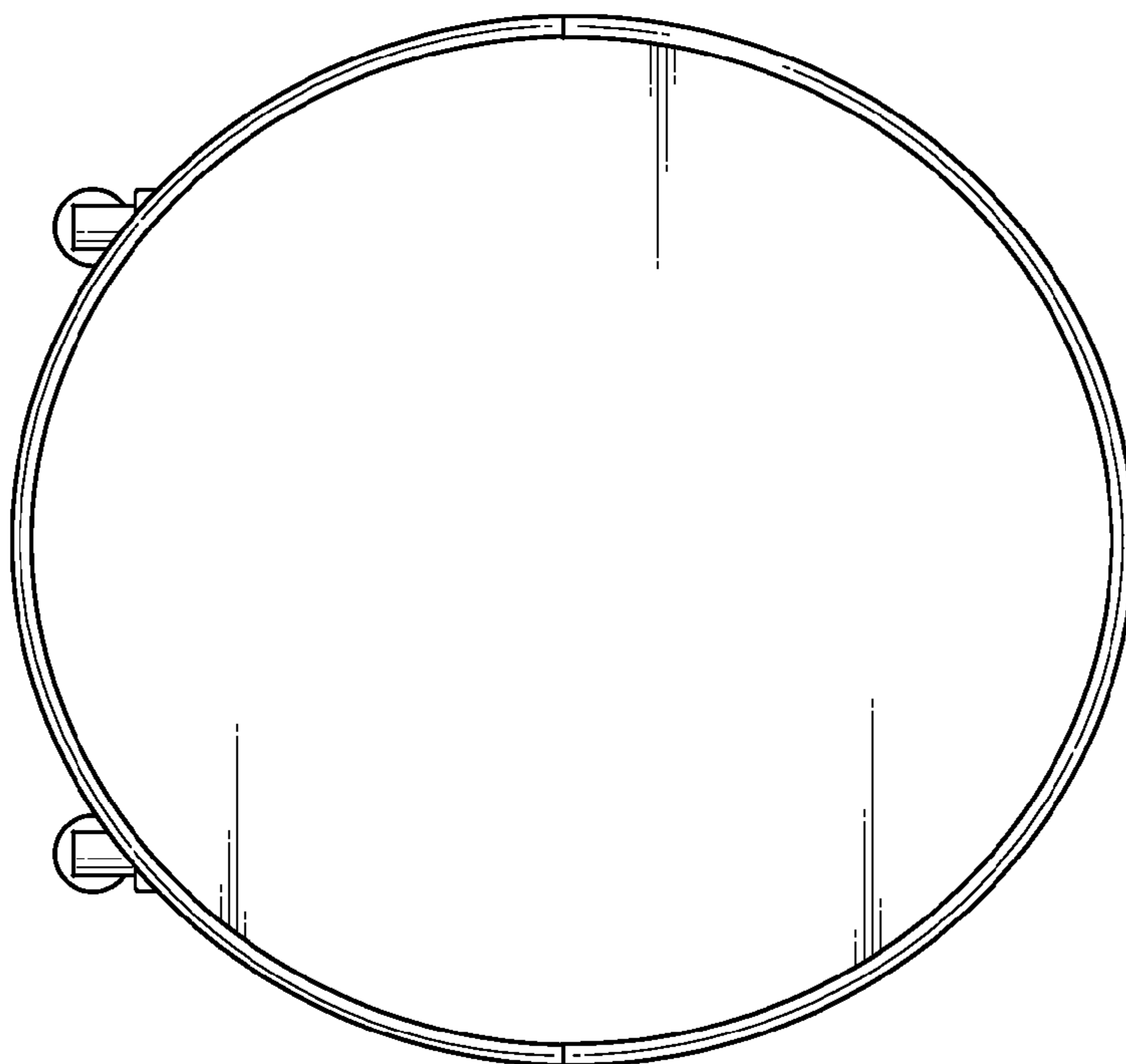


FIG. 4

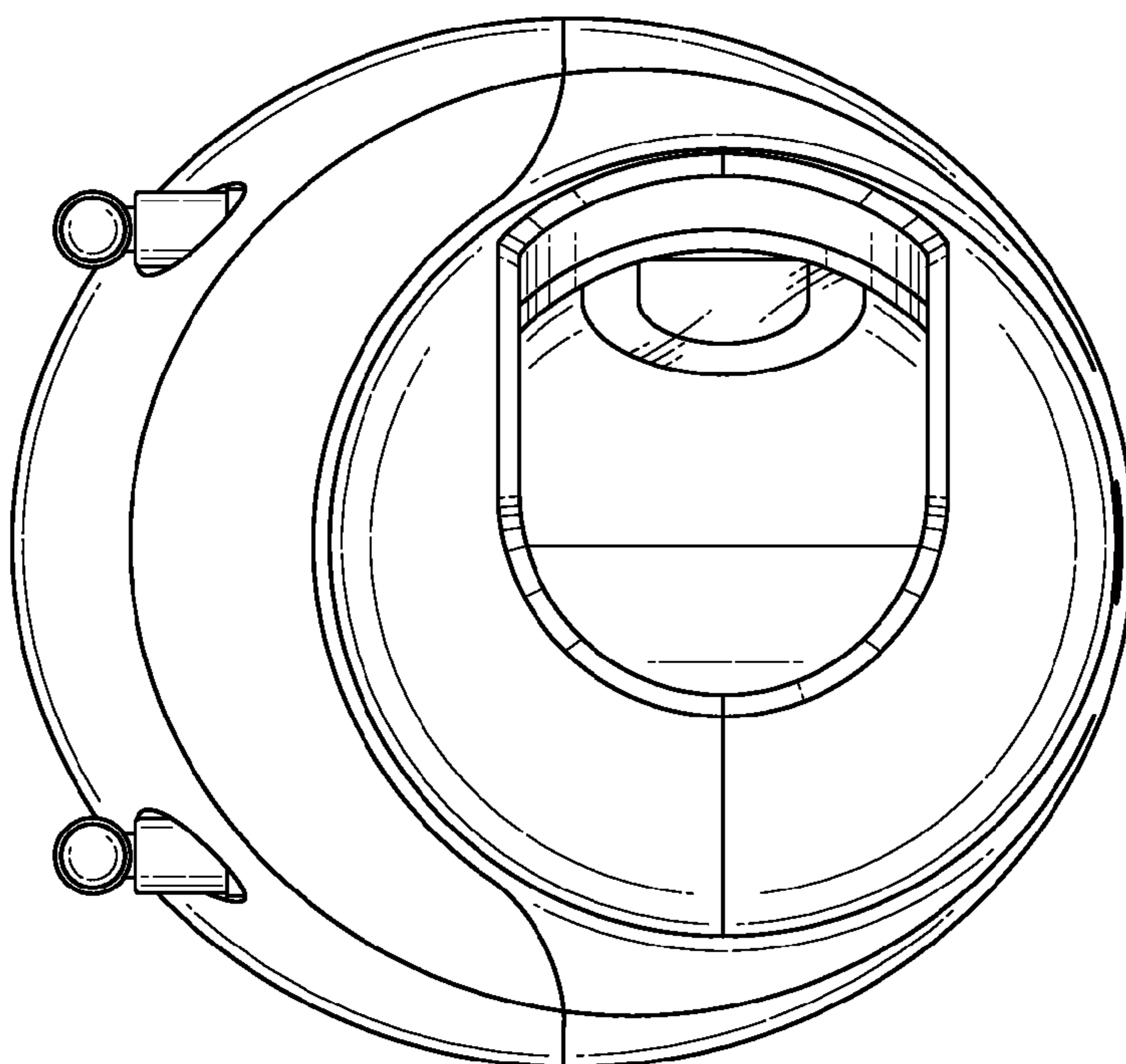


FIG. 5

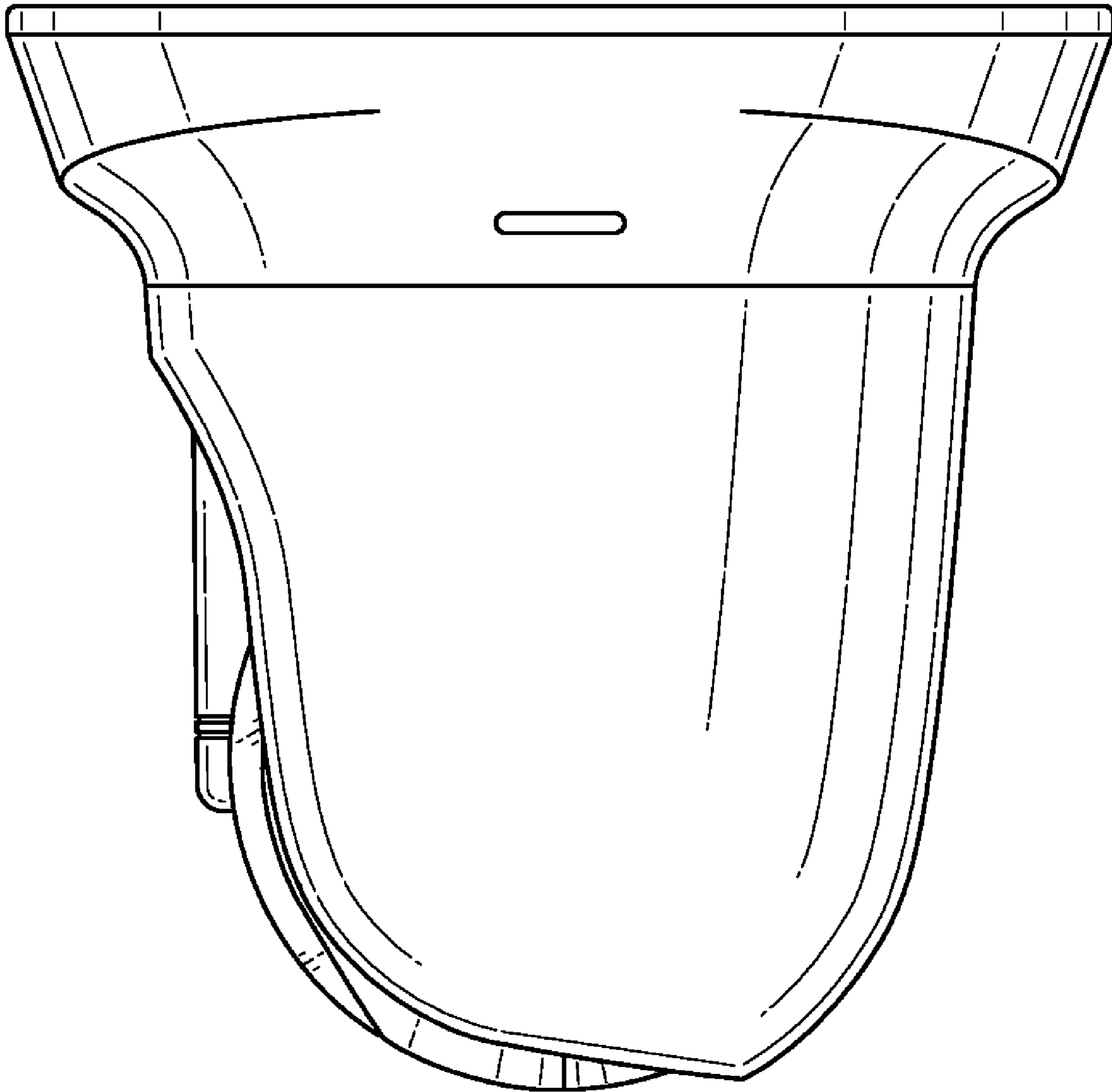


FIG.6

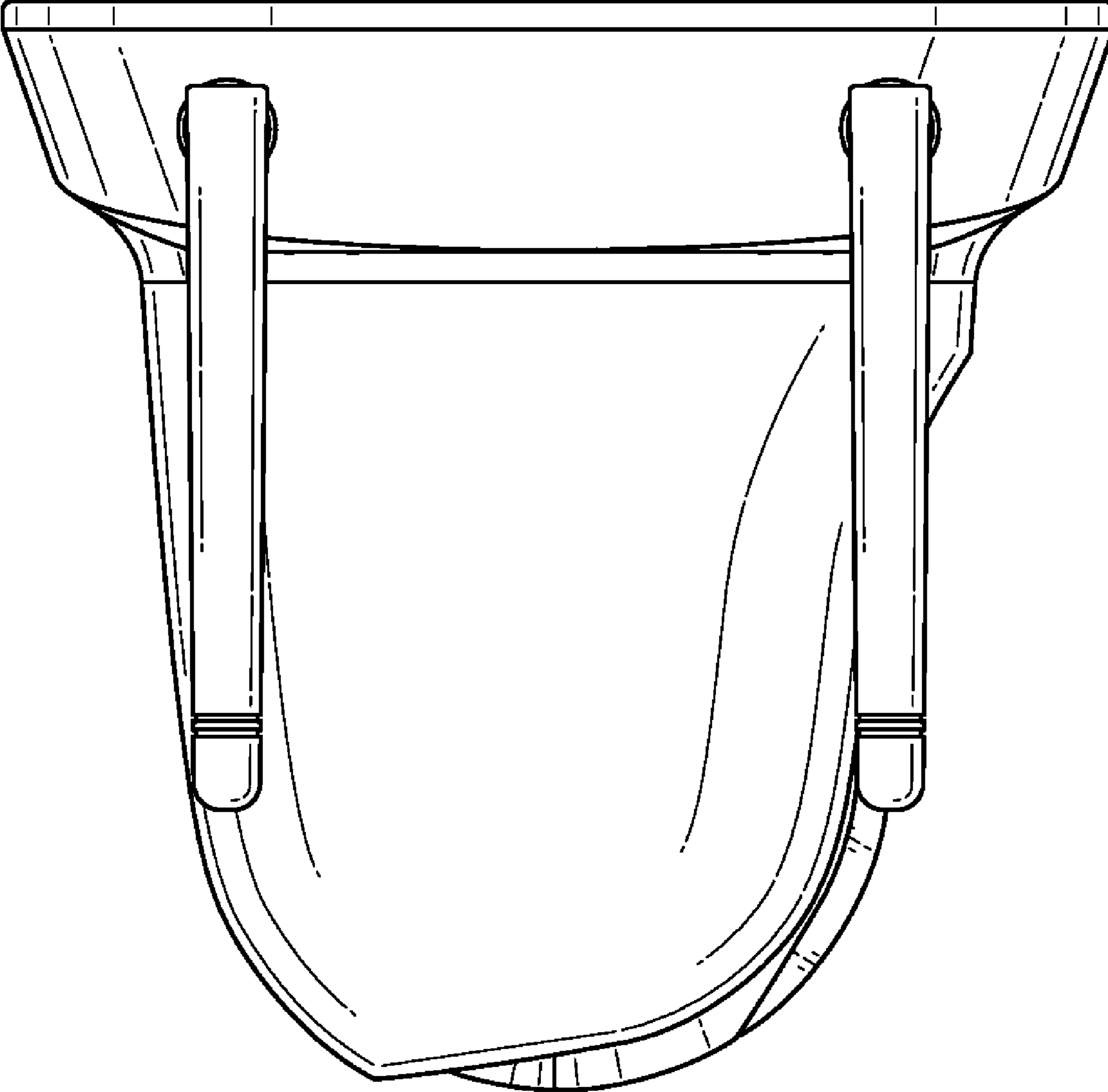


FIG.7