



US00D626983S

(12) **United States Design Patent**
Serge et al.

(10) **Patent No.:** **US D626,983 S**

(45) **Date of Patent:** **** Nov. 9, 2010**

(54) **WEBCAM**

(75) Inventors: **Hilbey Serge**, Nantes (FR); **Brault Jean-Philippe**, Nantes (FR)

(73) Assignee: **Guillemot Corporation, S.A.**,
Chantepie Cedex (FR)

(**) Term: **14 Years**

(21) Appl. No.: **29/357,336**

(22) Filed: **Mar. 10, 2010**

(30) **Foreign Application Priority Data**

Sep. 14, 2009 (EM) 001163976-0001

(51) **LOC (9) Cl.** **16-01**

(52) **U.S. Cl.** **D16/202**

(58) **Field of Classification Search** D16/200–205,
D16/208, 218, 242; 348/373–376; 396/419,
396/427, 535–541

See application file for complete search history.

(56) **References Cited**

U.S. PATENT DOCUMENTS

D430,587 S * 9/2000 Summit D16/202
D470,875 S * 2/2003 Liao D16/202

D478,922 S * 8/2003 Han D16/202
D511,181 S * 11/2005 Huang et al. D16/202
D552,144 S * 10/2007 Logan et al. D16/203
D562,868 S * 2/2008 Cho et al. D16/202
D573,622 S * 7/2008 Fisher et al. D16/202
7,736,071 B2 * 6/2010 Wahl et al. 396/419
2005/0247845 A1 * 11/2005 Li et al. 248/918

* cited by examiner

Primary Examiner—Adir Aronovich

(74) *Attorney, Agent, or Firm*—Blakely, Sokoloff, Taylor & Zafman, LLP

(57) **CLAIM**

The ornamental design for a webcam, as shown.

DESCRIPTION

FIG. 1 is a perspective view of a webcam.

FIG. 2 is a front view of a webcam of FIG. 1.

FIG. 3 is a rear view of a webcam of FIG. 1.

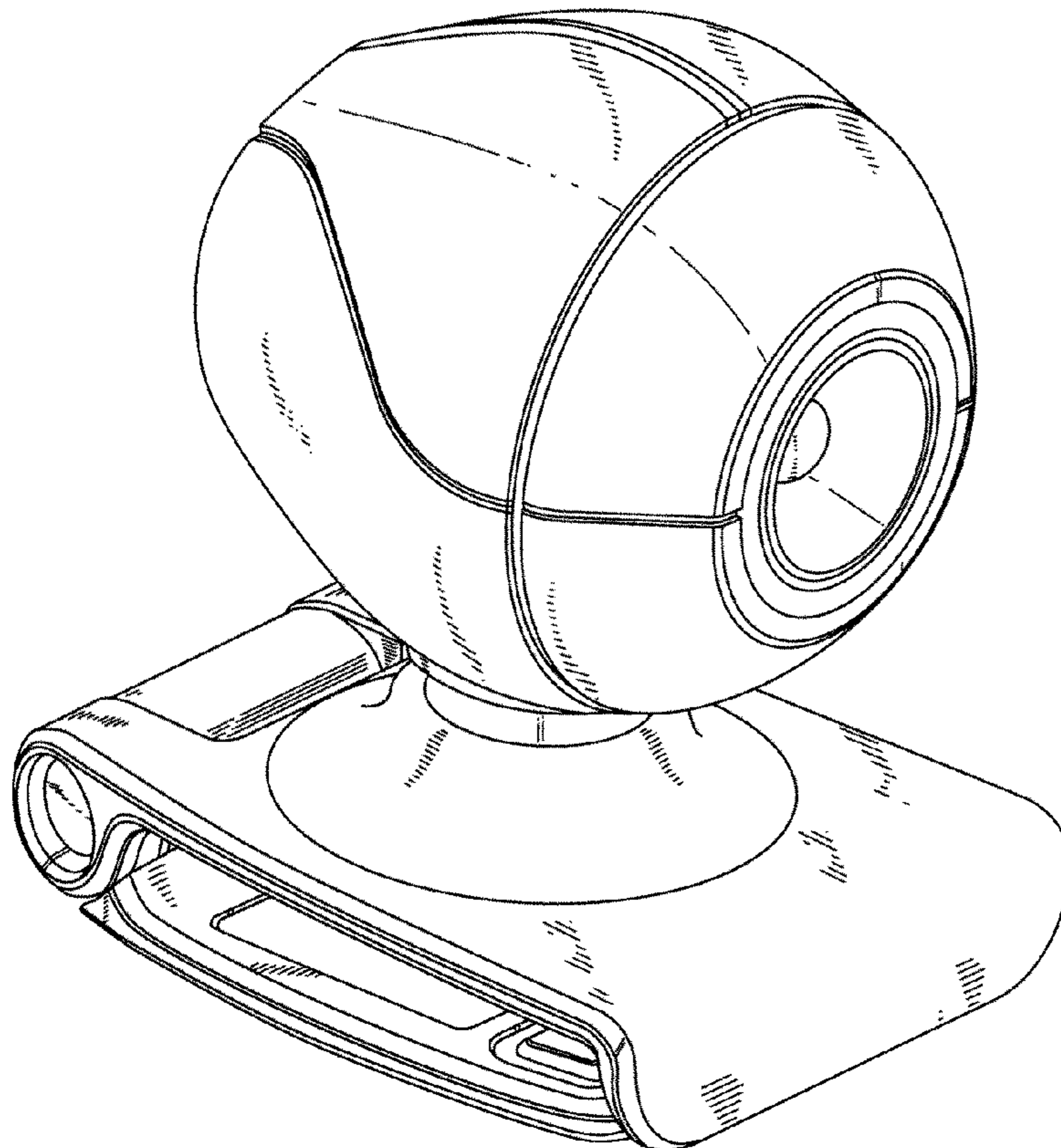
FIG. 4 is a right side view of a webcam of FIG. 1.

FIG. 5 is a left side view of a webcam of FIG. 1.

FIG. 6 is a top view of a webcam of FIG. 1; and,

FIG. 7 is a bottom view of a webcam of FIG. 1.

1 Claim, 4 Drawing Sheets



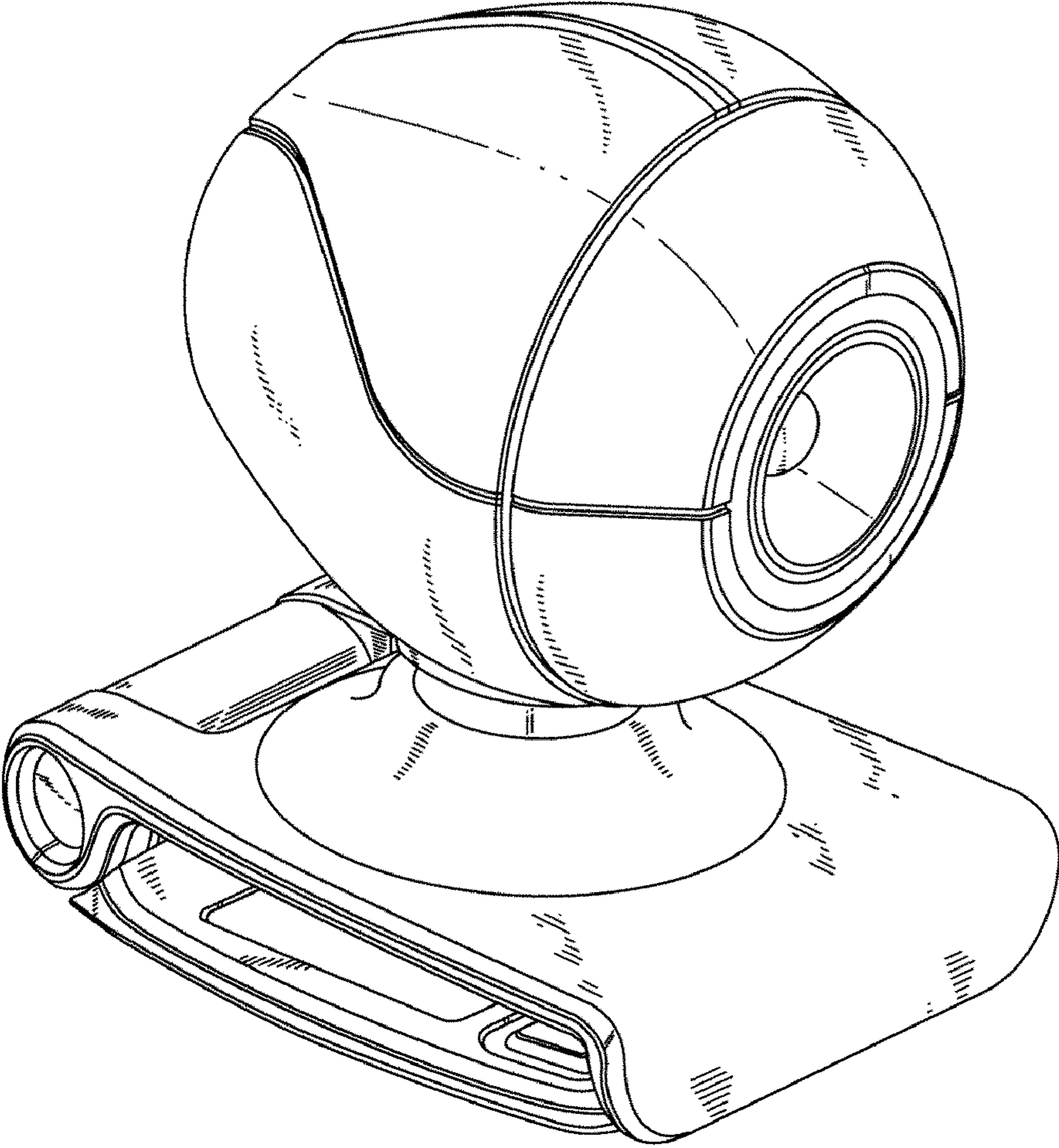


FIG. 1

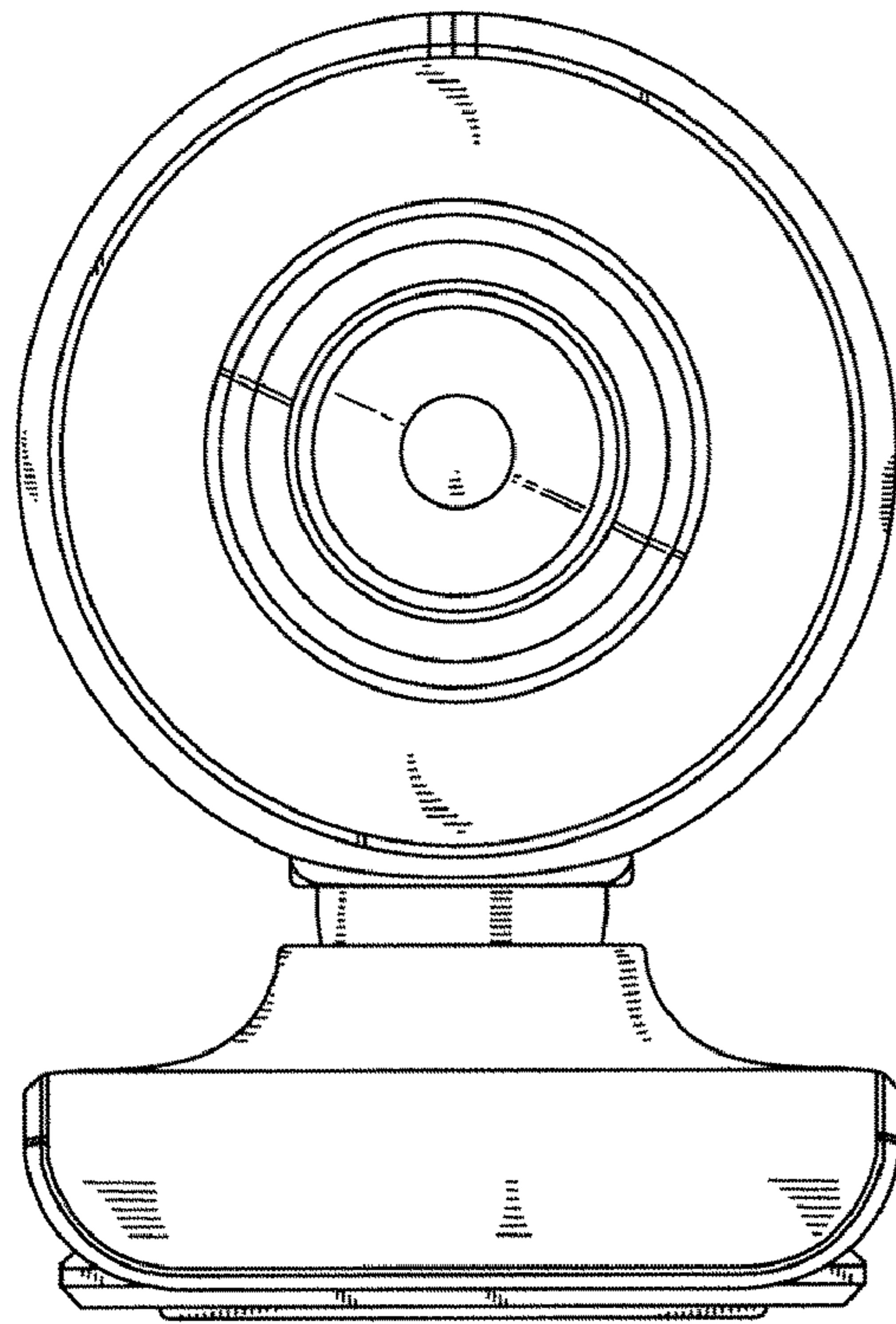


FIG. 2

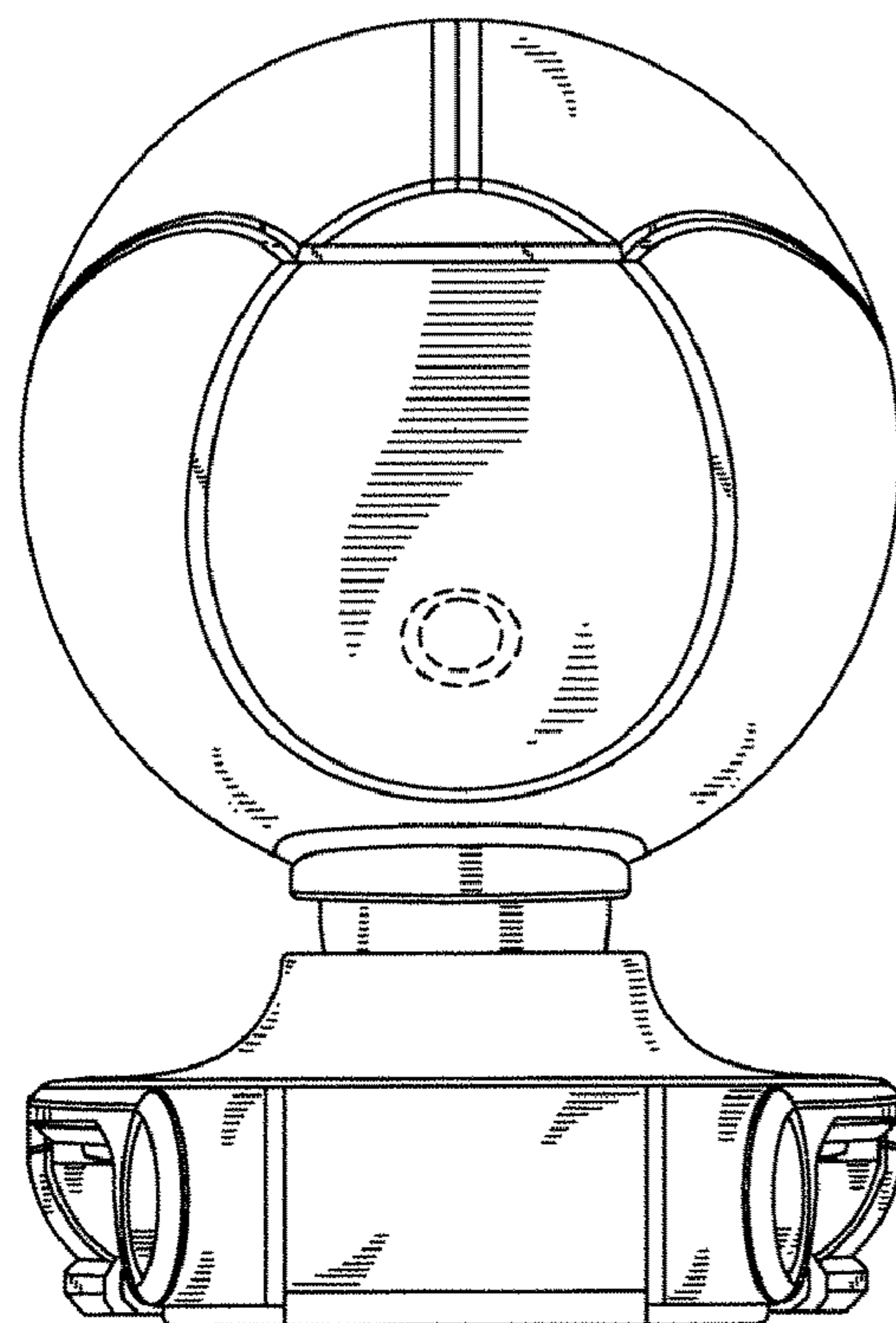


FIG. 3

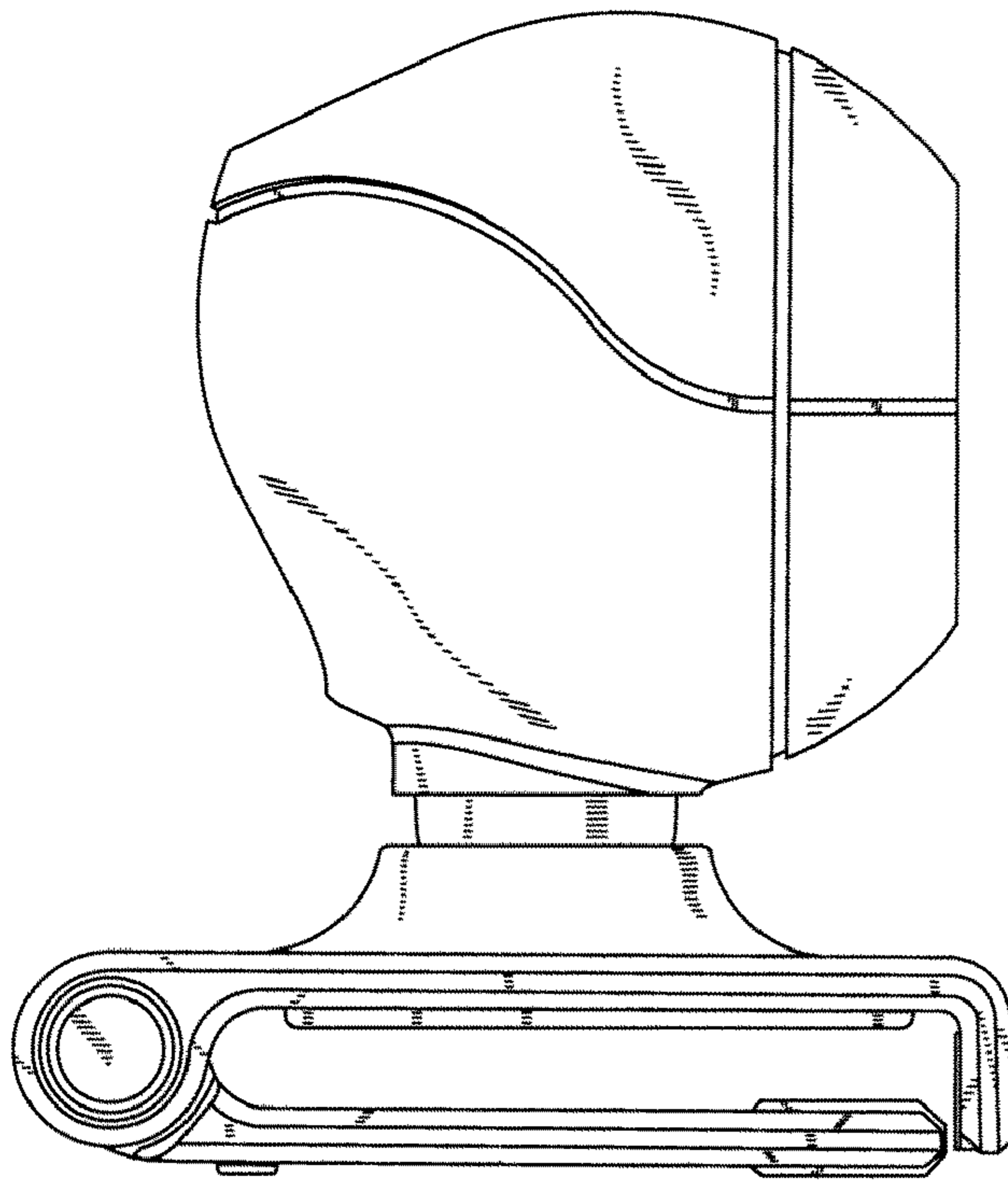


FIG. 4

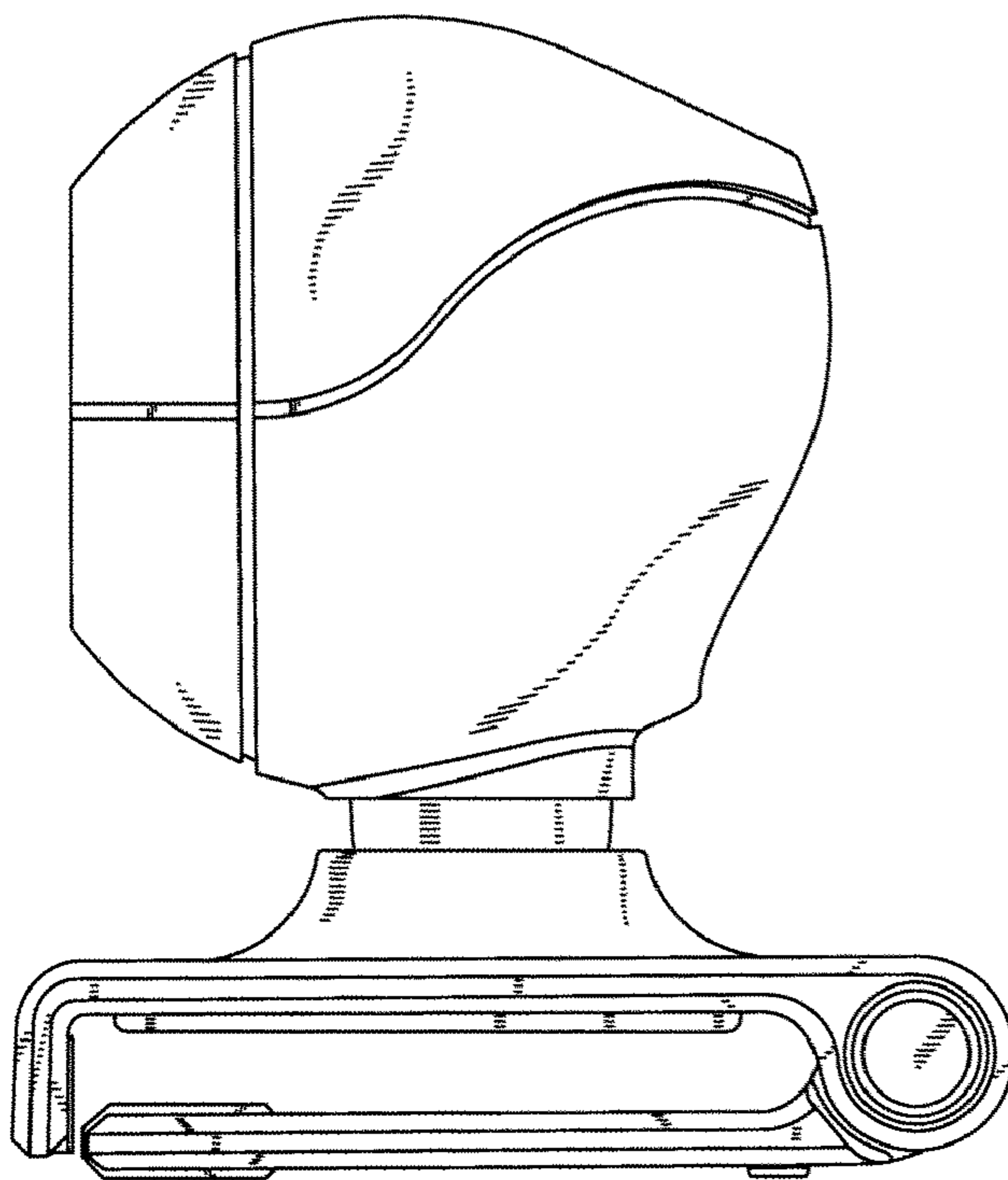


FIG. 5

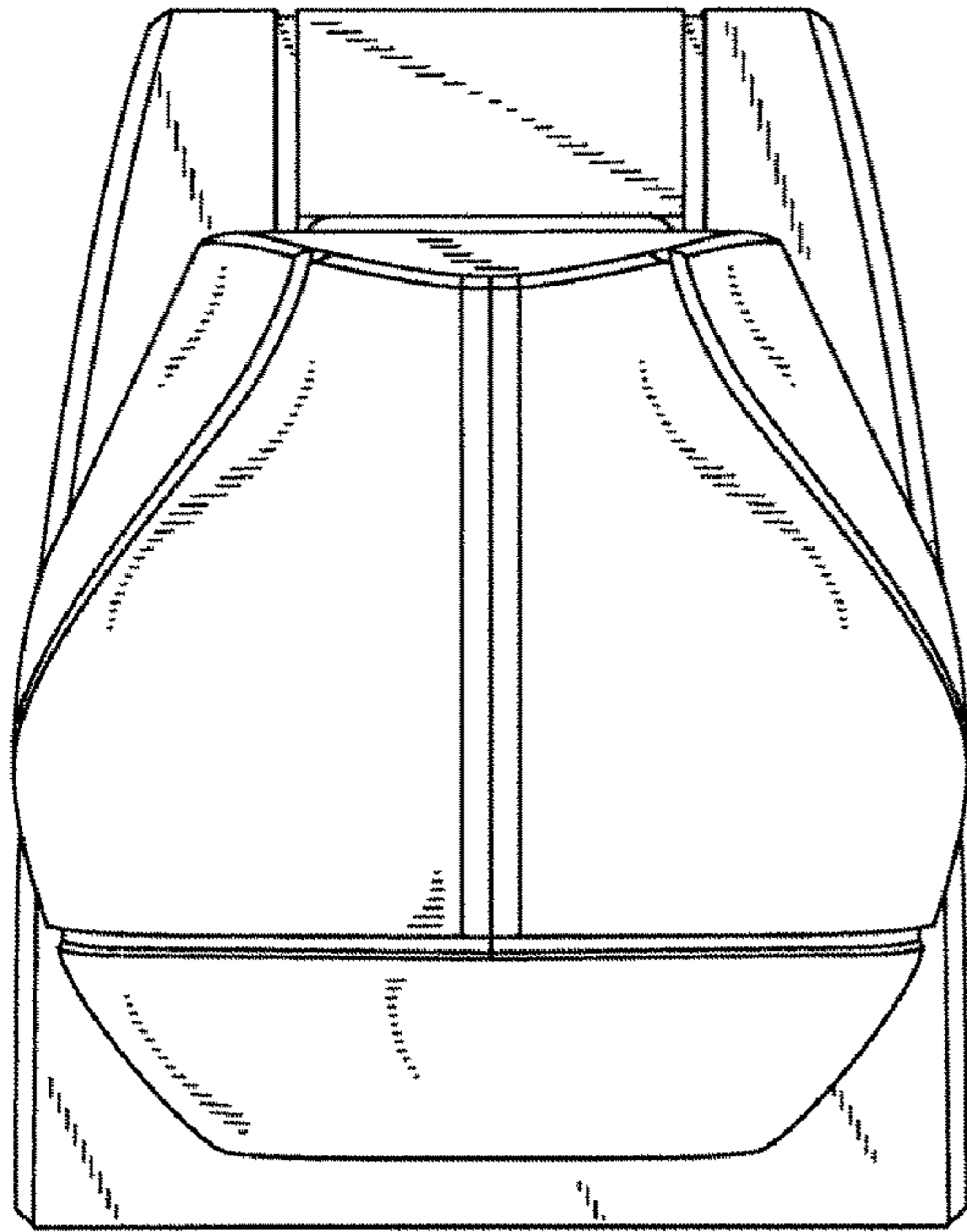


FIG. 6

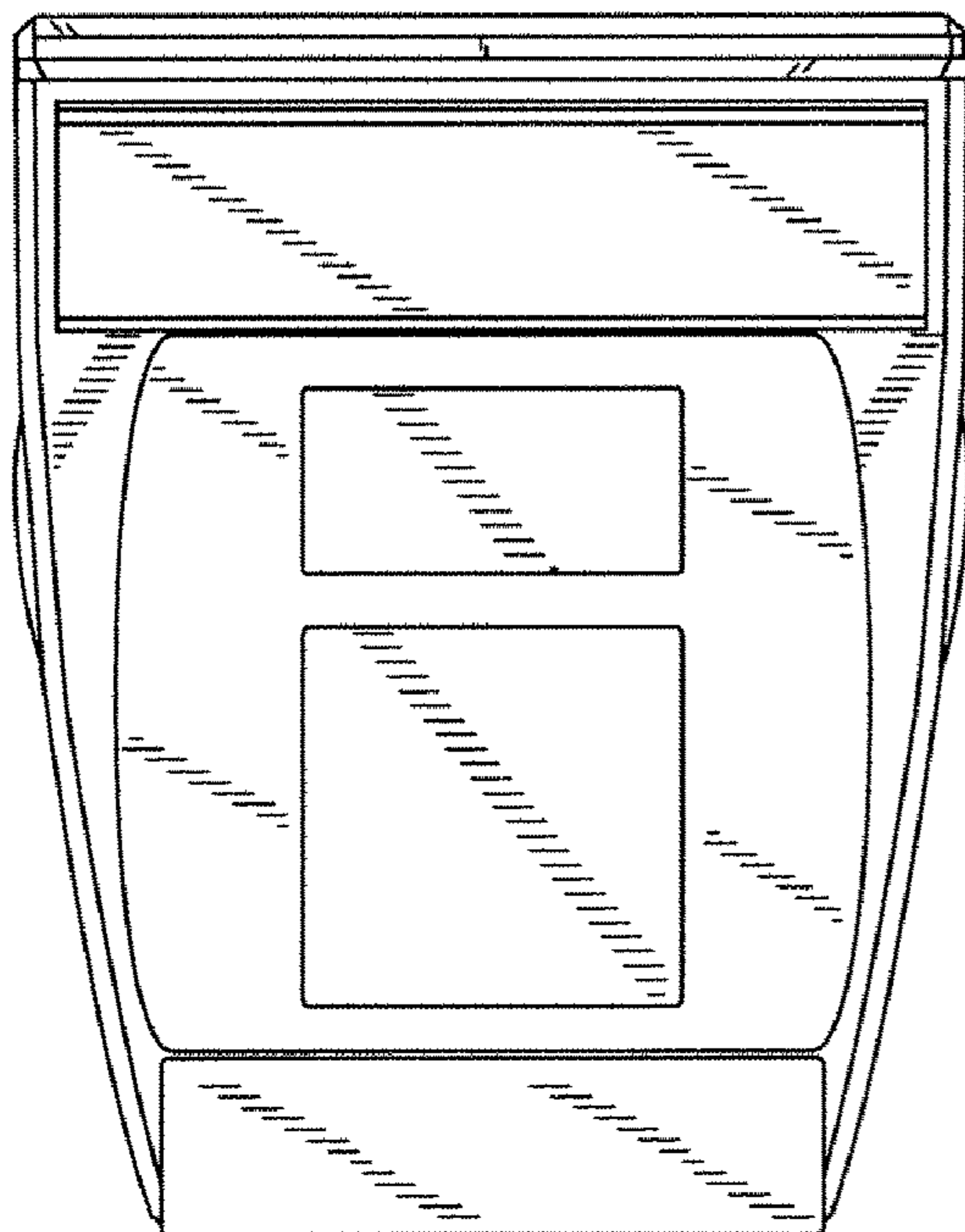


FIG. 7