



US00D626982S

(12) **United States Design Patent**  
**Hove**

(10) **Patent No.:** **US D626,982 S**

(45) **Date of Patent:** **\*\* Nov. 9, 2010**

(54) **PORTABLE LUBRICATION UNIT**

(75) Inventor: **Thomas Hove**, Rødovre (DK)

(73) Assignee: **Hove A/S**, Rodovre (DK)

(\*\*) Term: **14 Years**

(21) Appl. No.: **29/351,384**

(22) Filed: **Dec. 4, 2009**

(51) **LOC (9) Cl.** ..... **15-99**

(52) **U.S. Cl.** ..... **D15/150**

(58) **Field of Classification Search** ..... D15/150,  
D15/151, 152; 137/87; 184/6.23, 6.24, 6.28,  
184/6.4, 27.1, 27.3, 31, 55, 58.65, 81, 108;  
248/129; 280/47.34, 79.2, 79.5; 364/140;  
418/270

See application file for complete search history.

(56) **References Cited**

**U.S. PATENT DOCUMENTS**

- 208,931 A \* 10/1878 Seibert ..... 184/54
- 1,339,540 A \* 5/1920 Barchard ..... 184/54
- 2,068,168 A \* 1/1937 Ekbohm ..... 184/84
- D117,782 S \* 11/1939 Dean ..... D15/151

- D429,264 S \* 8/2000 Lindstrand ..... D15/150
- D537,458 S \* 2/2007 Breeser ..... D15/150
- 2009/0314581 A1 \* 12/2009 Reed et al. .... 184/54

\* cited by examiner

*Primary Examiner*—Patricia Palasik

(74) *Attorney, Agent, or Firm*—William J. Sapone; Coleman Sudol Sapone P.C.

(57) **CLAIM**

I claim the ornamental design for a portable lubrication unit, as shown and described.

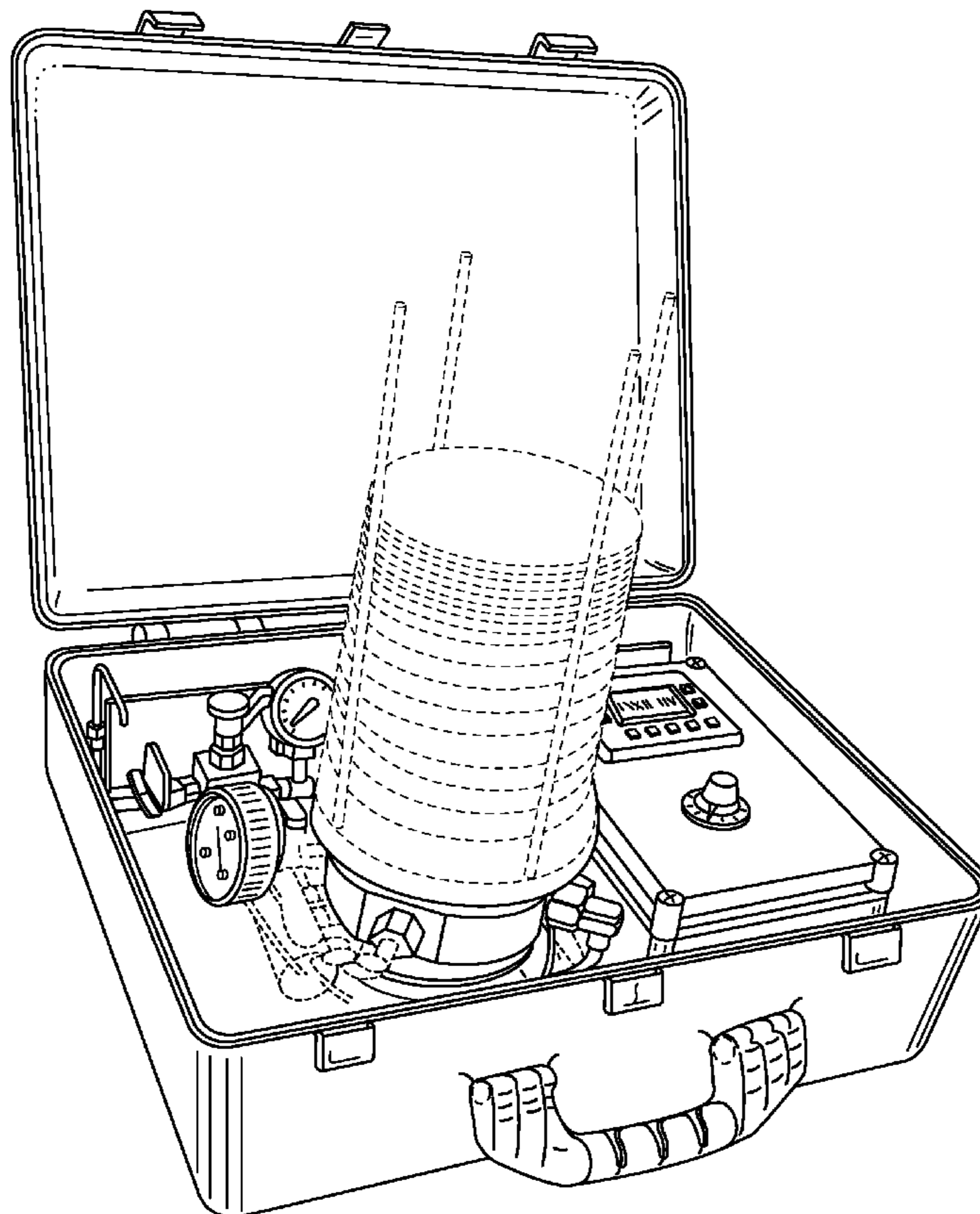
**DESCRIPTION**

FIG. 1 is a perspective front view of the portable lubrication unit showing my new design, having a cover in an open position; and,

FIG. 2 is an alternative perspective front view thereof, having a removable lubricant supply container mounted on the portable lubrication unit for delivery of the lubricant there-through.

The broken lines showing various features in the drawings are for illustrative purposes only and those features form no part of the claimed design.

**1 Claim, 2 Drawing Sheets**



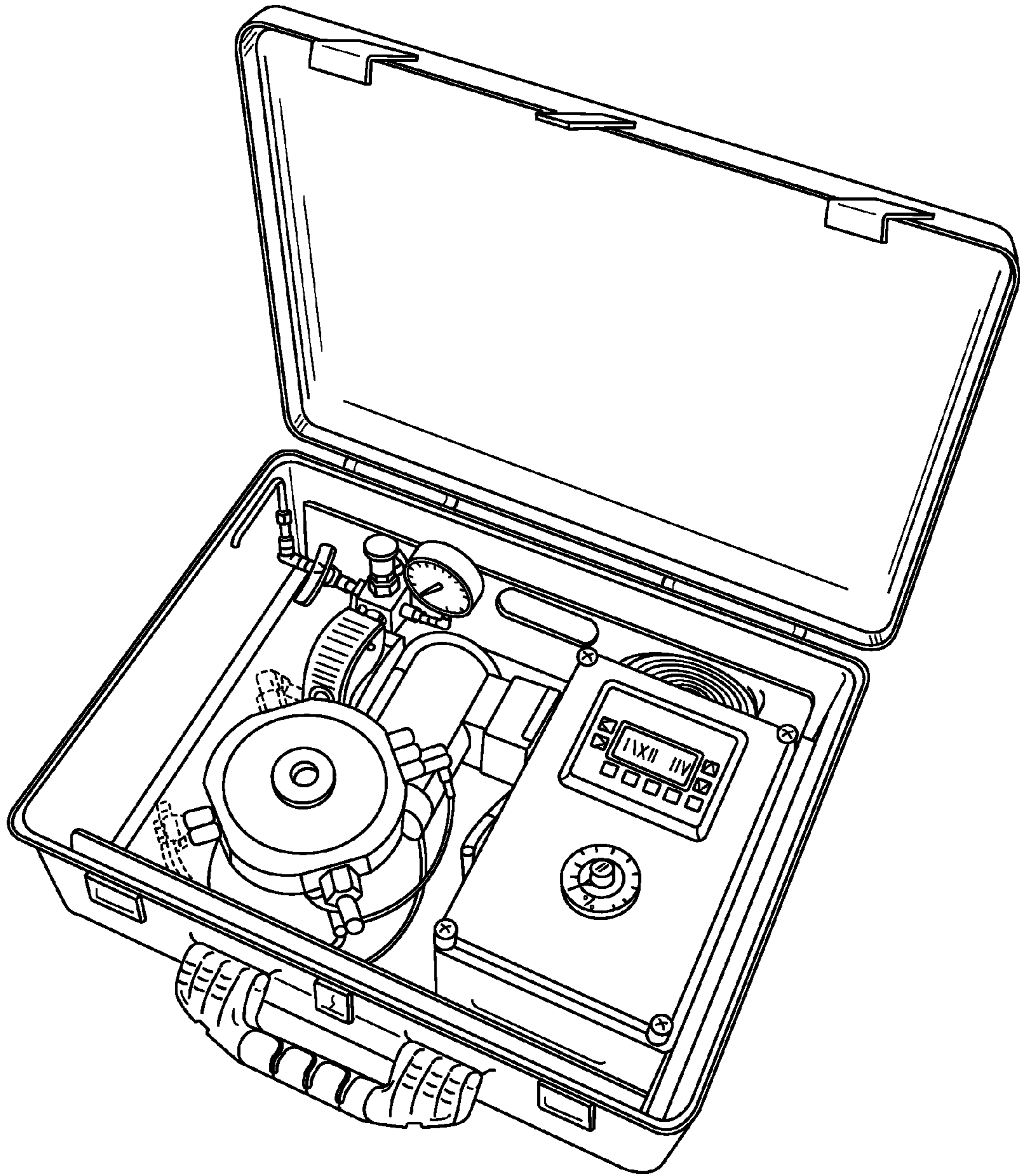


FIG. 1

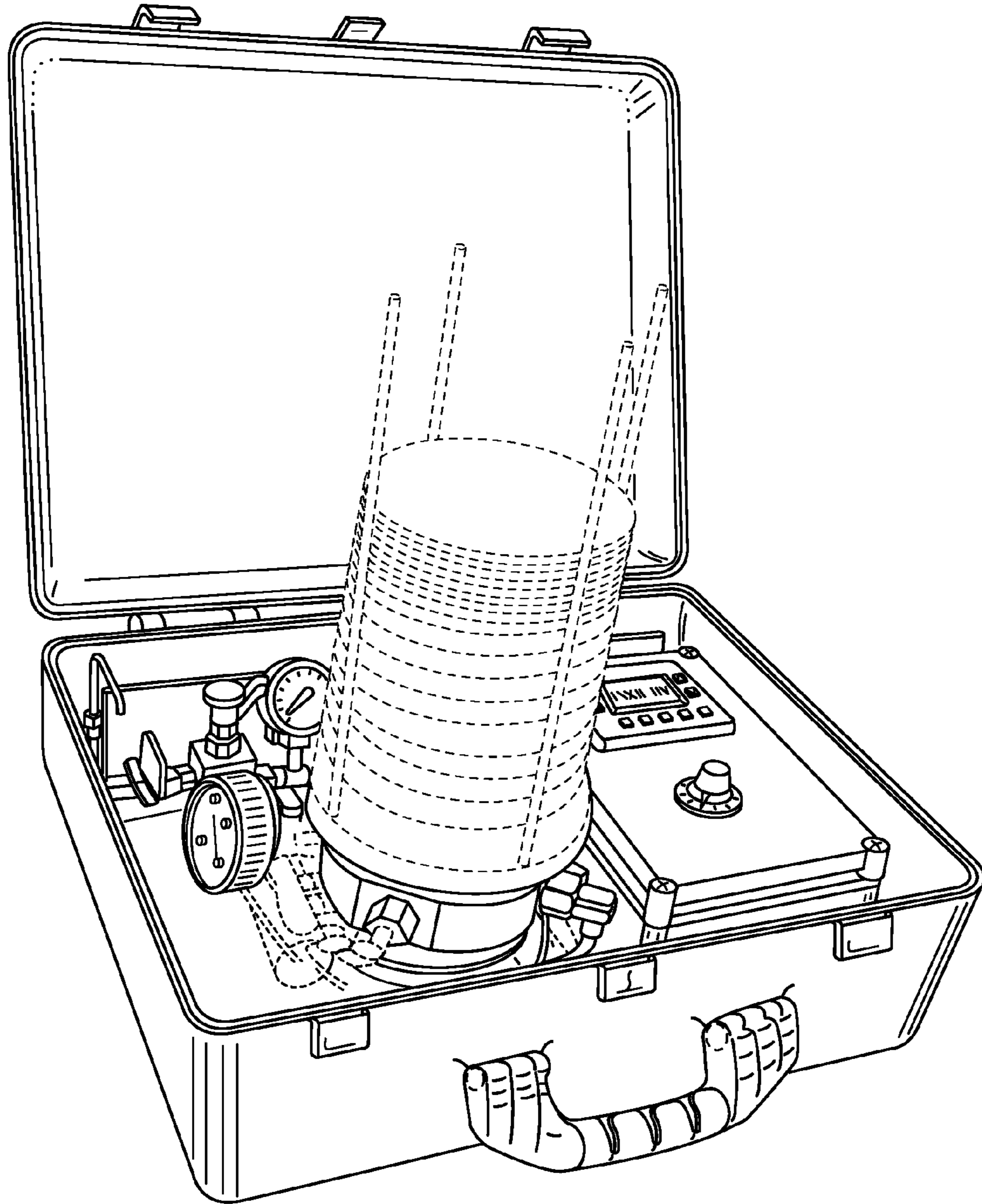


FIG. 2