



US00D626980S

(12) **United States Design Patent**
Noguchi

(10) **Patent No.:** **US D626,980 S**

(45) **Date of Patent:** **** Nov. 9, 2010**

(54) **MULTIPOSITION CYLINDER**

(75) Inventor: **Kazuhiro Noguchi**, Tsukubamirai (JP)

(73) Assignee: **SMC Corporation**, Chiyoda-ku, Tokyo (JP)

(**) Term: **14 Years**

(21) Appl. No.: **29/312,316**

(22) Filed: **Oct. 14, 2008**

(30) **Foreign Application Priority Data**

Apr. 18, 2008 (JP) 2008-010122

(51) **LOC (9) Cl.** **15-09**

(52) **U.S. Cl.** **D15/143**

(58) **Field of Classification Search** D13/118;
D15/1-5, 143, 148, 149, 199; 74/89.15,
74/90.15, 411.5, 490.09; 297/325, 327; 310/20,
310/20.8, 80

See application file for complete search history.

(56) **References Cited**

U.S. PATENT DOCUMENTS

- D373,363 S * 9/1996 Miyachi et al. D15/143
- D374,240 S * 10/1996 Nagasawa D15/143
- D417,457 S * 12/1999 Asahara D15/7
- D420,683 S * 2/2000 Suzuki D15/7
- 6,148,714 A * 11/2000 Abe et al. 92/88
- D444,795 S * 7/2001 Wakasugi et al. D15/7
- D457,892 S * 5/2002 Asou et al. D15/5
- 6,400,047 B1 * 6/2002 Hartramph et al. 310/12.33
- 6,476,525 B2 * 11/2002 Sato et al. 310/20
- D490,451 S * 5/2004 Nagai et al. D15/199
- 7,199,494 B2 * 4/2007 Rapp et al. 310/20

- D596,653 S * 7/2009 Fukano et al. D15/143
- D612,877 S * 3/2010 Noguchi D15/143
- 2008/0048514 A1 * 2/2008 Hoffmann et al. 310/78

* cited by examiner

Primary Examiner—Patricia Palasik

(74) *Attorney, Agent, or Firm*—Yokoi & Co., U.S.A., Inc.;
Toshiyuki Tokoi

(57) **CLAIM**

The ornamental design for a multiposition cylinder, as shown and described.

DESCRIPTION

FIG. 1 shows a front view of a multiposition cylinder showing my new design;

FIG. 2 shows a rear view thereof;

FIG. 3 shows a right side view thereof;

FIG. 4 shows a left side view thereof;

FIG. 5 shows a top view thereof;

FIG. 6 shows a bottom view thereof;

FIG. 7 shows a top, front and left side perspective view thereof;

FIG. 8 shows a bottom, rear and right side perspective view thereof;

FIG. 9 shows a cross-sectional view taken along line 9—9 of FIG. 2;

FIG. 10 shows a cross-sectional view taken along line 10—10 of FIG. 2; and,

FIG. 11 shows a cross-sectional view taken along line 11—11 of FIG. 3.

1 Claim, 11 Drawing Sheets

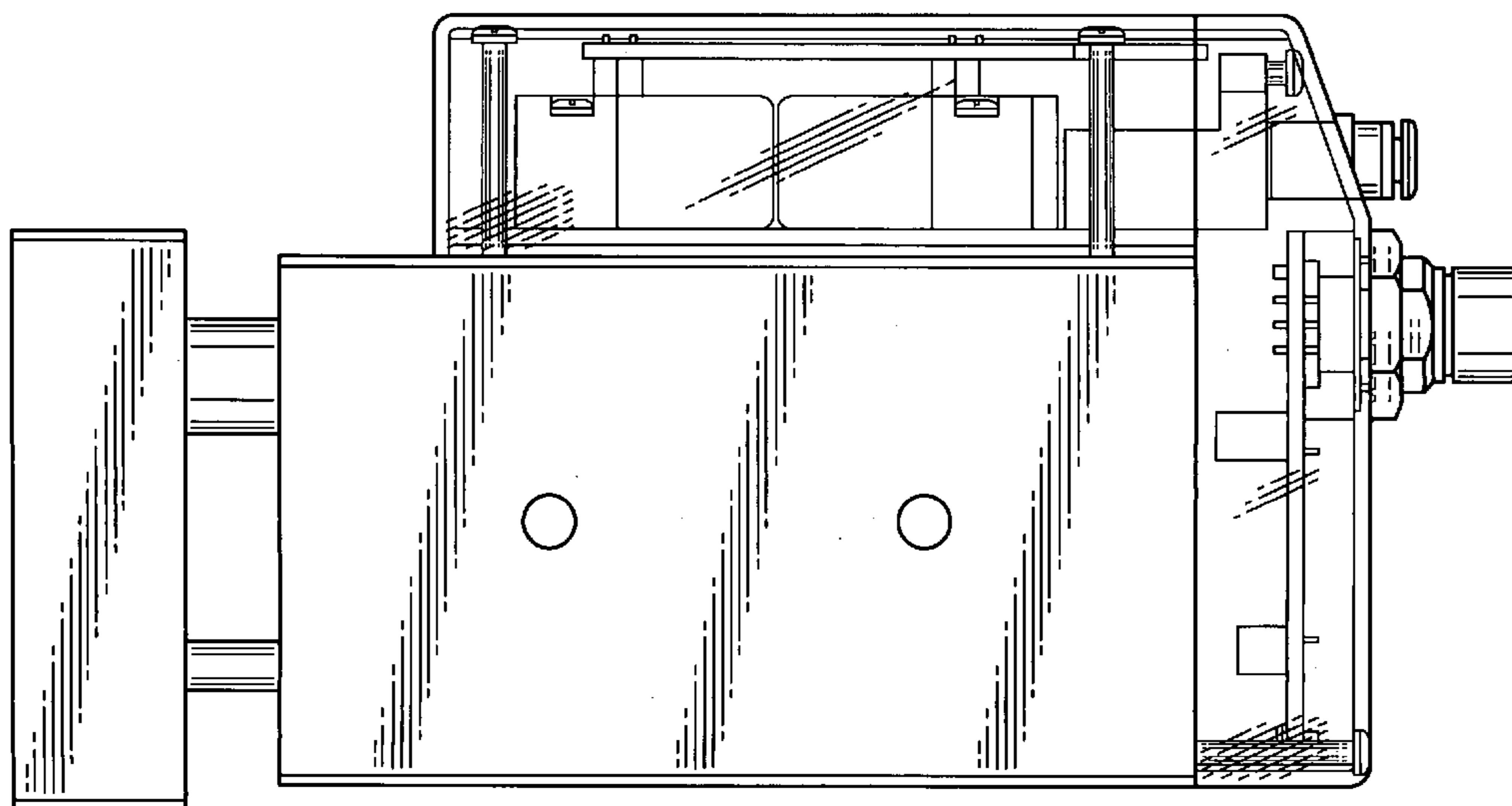


FIG.1

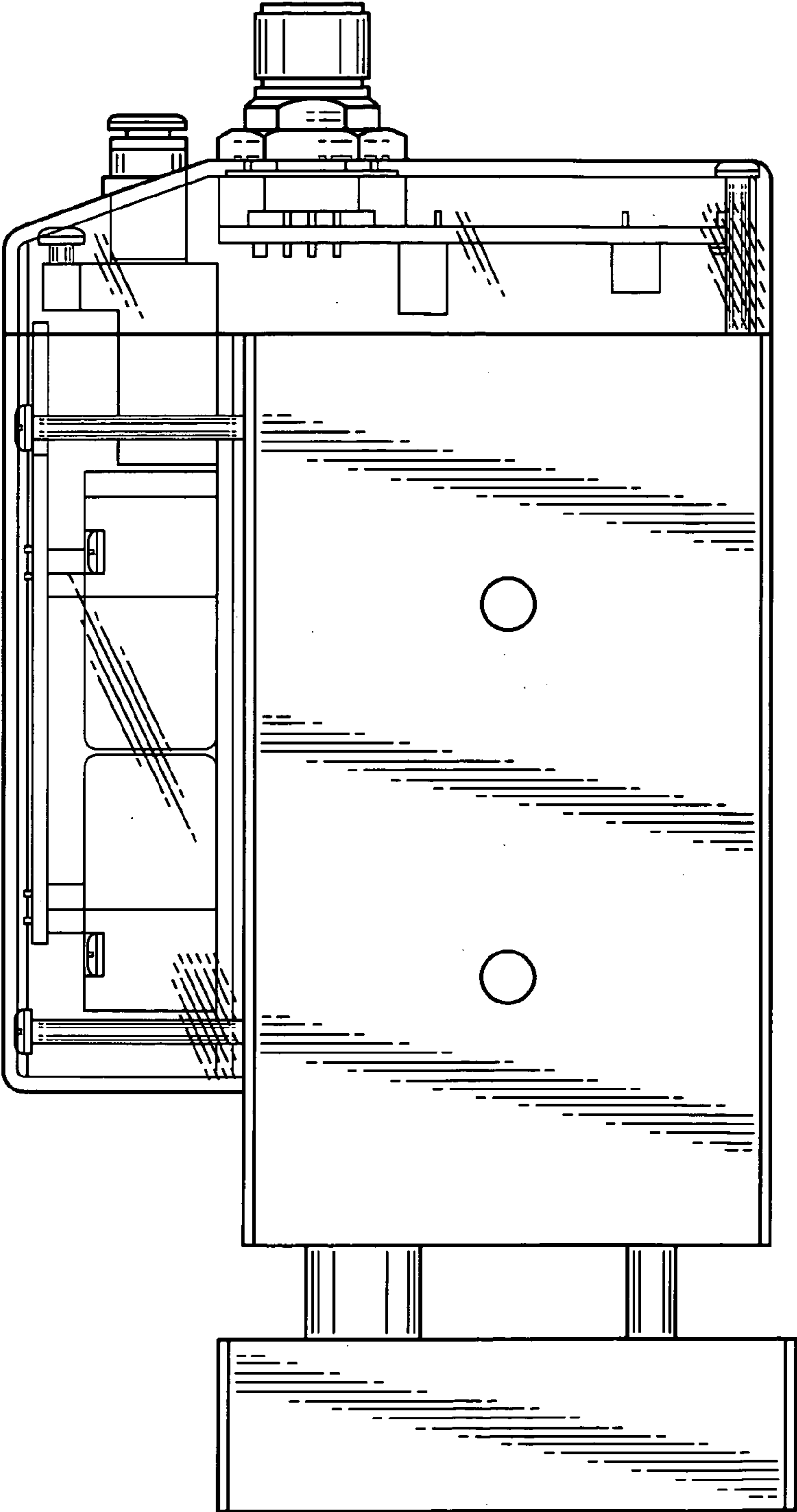


FIG. 2

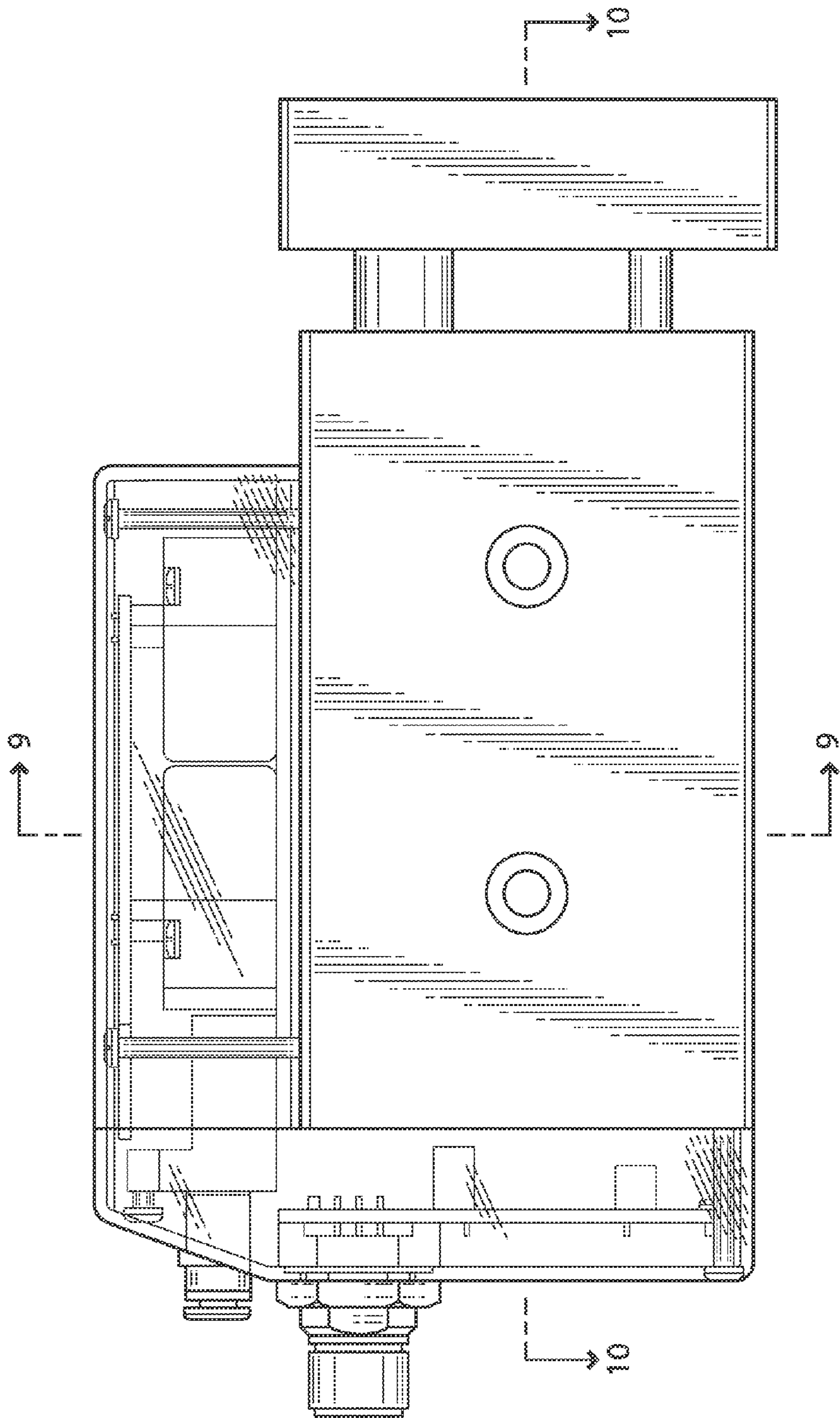


FIG. 3

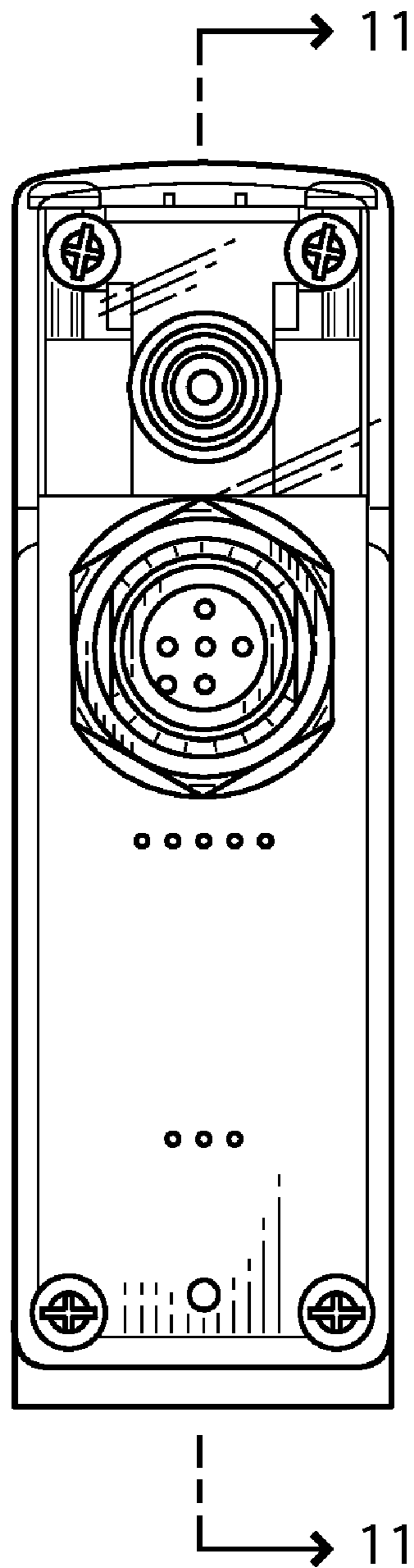


FIG.4

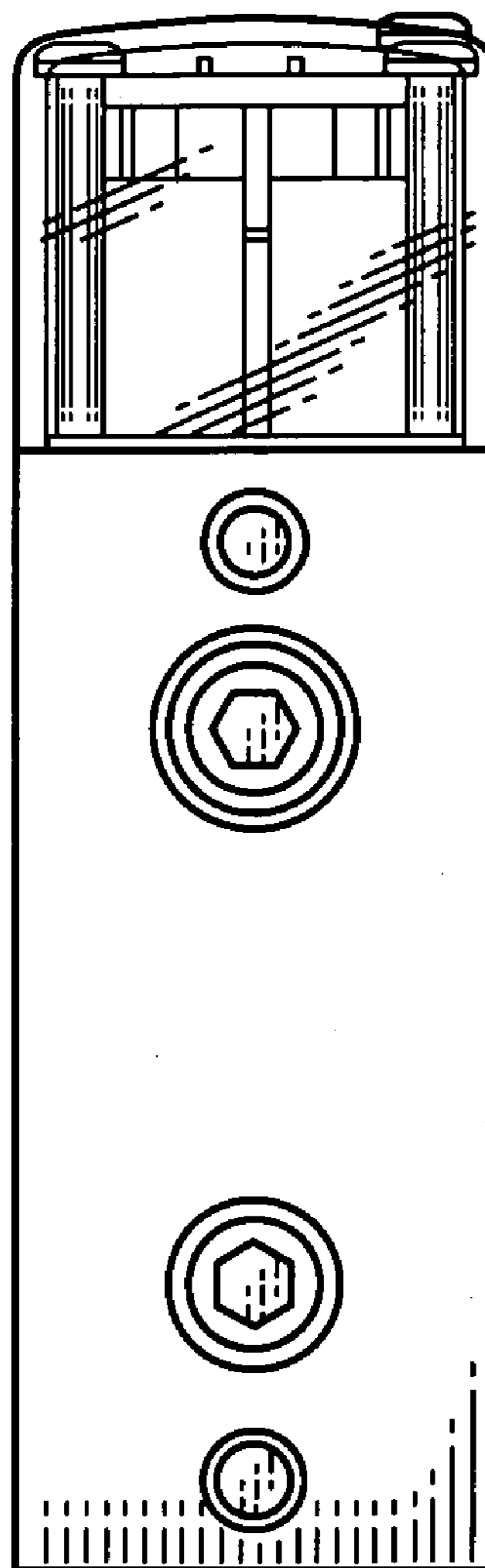


FIG.5

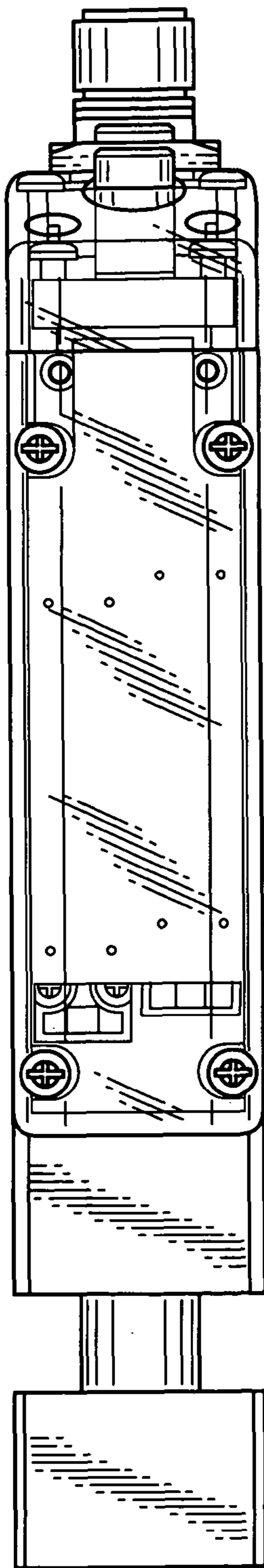


FIG.6

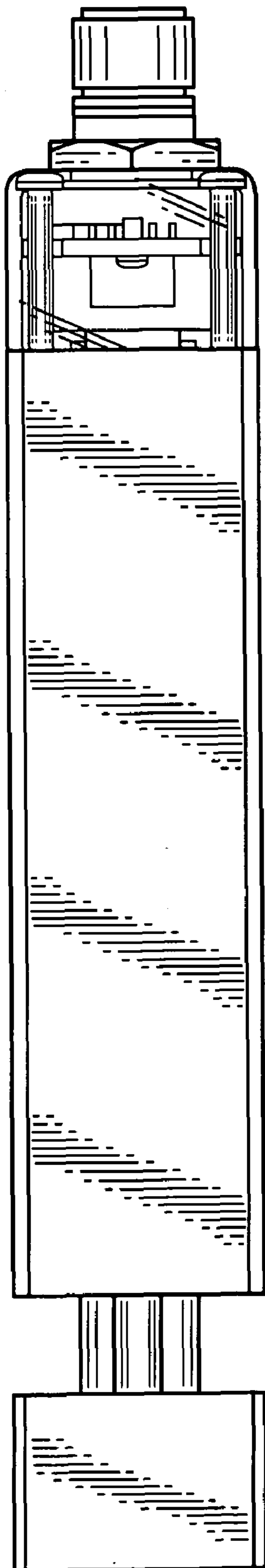


FIG.7

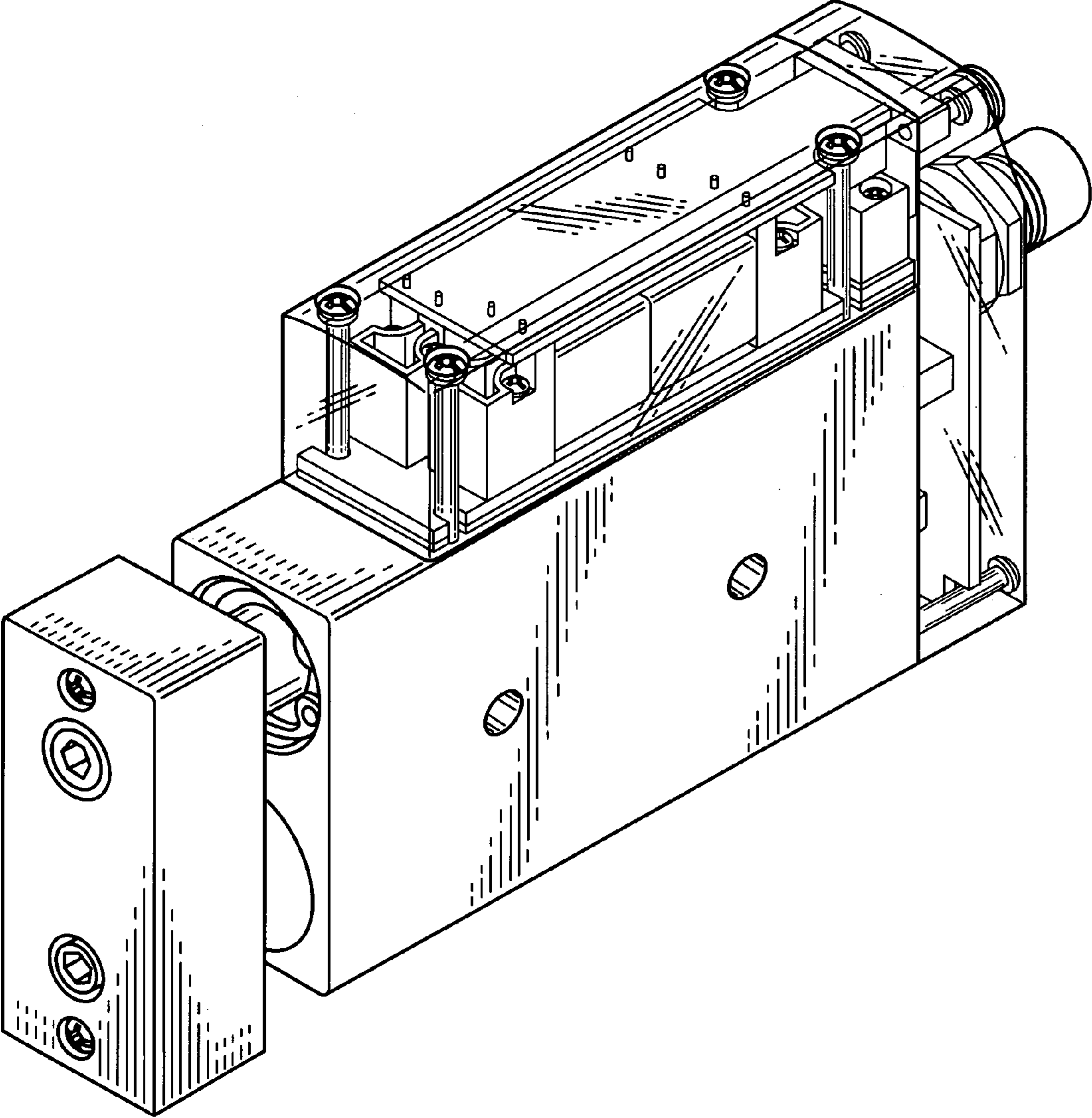


FIG.8

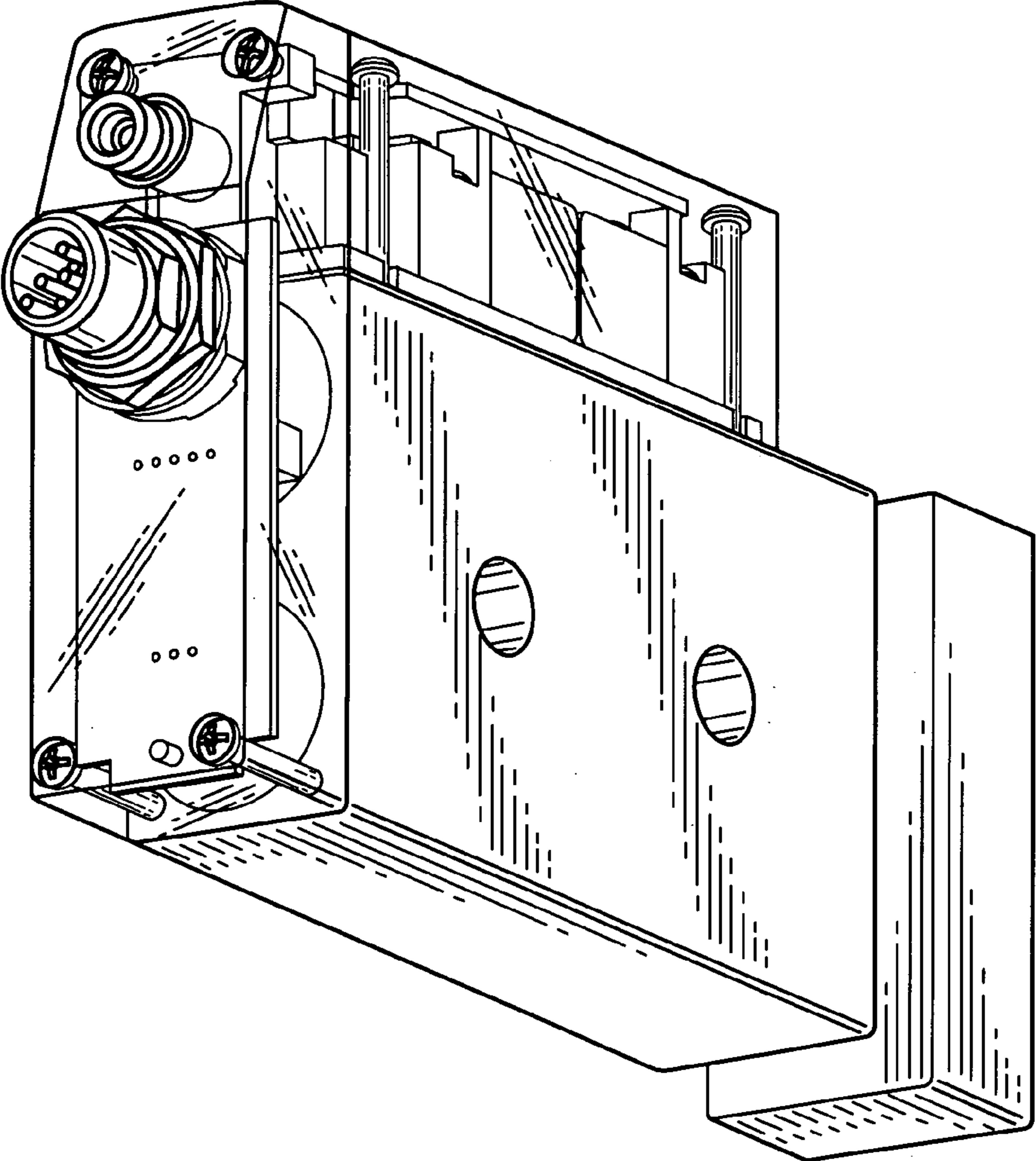


FIG.9

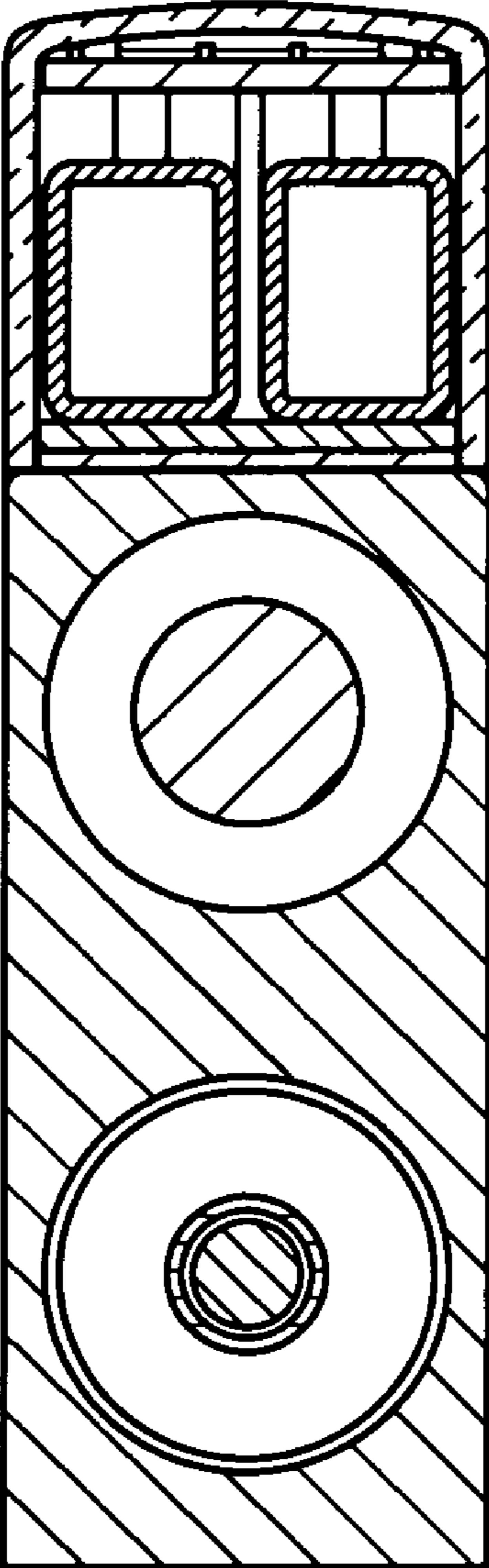


FIG.10

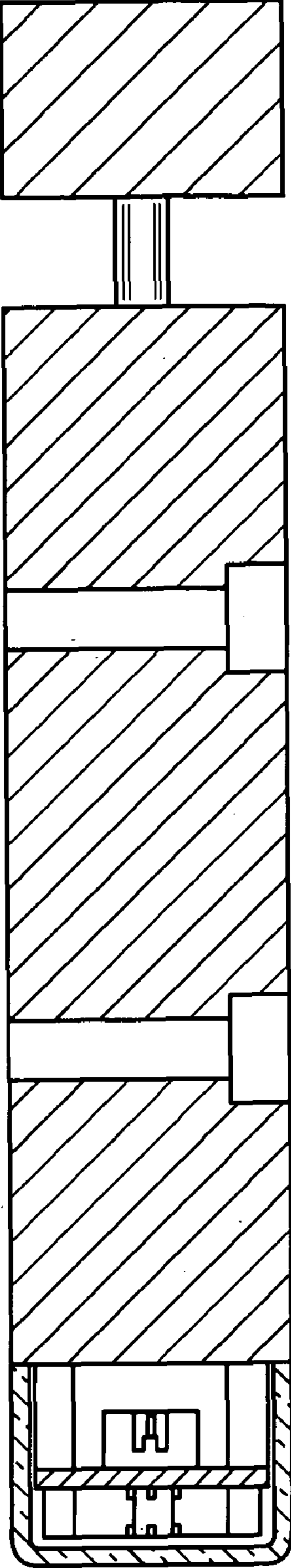


FIG.11

