



US00D626979S

(12) **United States Design Patent**
Anderson

(10) **Patent No.:** **US D626,979 S**

(45) **Date of Patent:** **** Nov. 9, 2010**

(54) **CUTTING HEAD**

(75) **Inventor:** **Alan D. Anderson**, Willow Spring, NC (US)

(73) **Assignee:** **Cooper Brands, Inc.**, Houston, TX (US)

(**) **Term:** **14 Years**

(21) **Appl. No.:** **29/365,582**

(22) **Filed:** **Jul. 12, 2010**

(51) **LOC (9) Cl.** **15-09**

(52) **U.S. Cl.** **D15/139**

(58) **Field of Classification Search** D8/70,
D8/71; D15/138, 139, 140; 82/130, 131;
407/33-52, 77, 107-120, 116, 117
See application file for complete search history.

(56) **References Cited**

U.S. PATENT DOCUMENTS

D275,760	S	*	10/1984	Cochran	D15/139
D295,016	S	*	4/1988	Forrester	D8/70
D330,381	S	*	10/1992	Gustafsson et al.	D15/139
5,778,755	A		7/1998	Boese		
6,230,542	B1		5/2001	Frenken		
RE37,595	E	*	3/2002	Lindstedt	407/116
D465,229	S	*	11/2002	Hole et al.	D15/130
6,490,962	B1		12/2002	Schultz		
6,532,790	B2		3/2003	Frenken		
6,564,610	B2		5/2003	Lefavour et al.		
6,679,340	B1		1/2004	Tatai		
6,792,789	B1		9/2004	Faucher		
6,986,274	B2		1/2006	Lefavour et al.		
6,990,888	B2		1/2006	Harwath et al.		
7,066,003	B2		6/2006	Lefavour et al.		

7,156,588	B2	*	1/2007	Elbaz et al.	408/190
7,195,427	B2	*	3/2007	Sjoo et al.	407/82
7,533,556	B2		5/2009	Lefavour et al.		
2003/0010403	A1	*	1/2003	Smith	144/241
2005/0019118	A1	*	1/2005	Elbaz et al.	408/186

OTHER PUBLICATIONS

Greenlee, Wire and Cable Termination Catalog, 2007, pp. 171-202, www.greenlee.com.

H.K. Porter, Inc., Catalog No B200A, Manufacturer's Code No. 8130; 1979, pp. 1, 3, 17 and 56, Sommerville, MA.

* cited by examiner

Primary Examiner—Patricia Palasik

(74) *Attorney, Agent, or Firm*—Coats & Bennett, P.L.L.C.

(57) **CLAIM**

The ornamental design for a cutting head, as shown and described.

DESCRIPTION

FIG. 1 is a front perspective view of a cutting head showing my design.

FIG. 2 is a rear perspective view thereof.

FIG. 3 is a right side view thereof.

FIG. 4 is a left side view thereof.

FIG. 5 is a bottom view thereof.

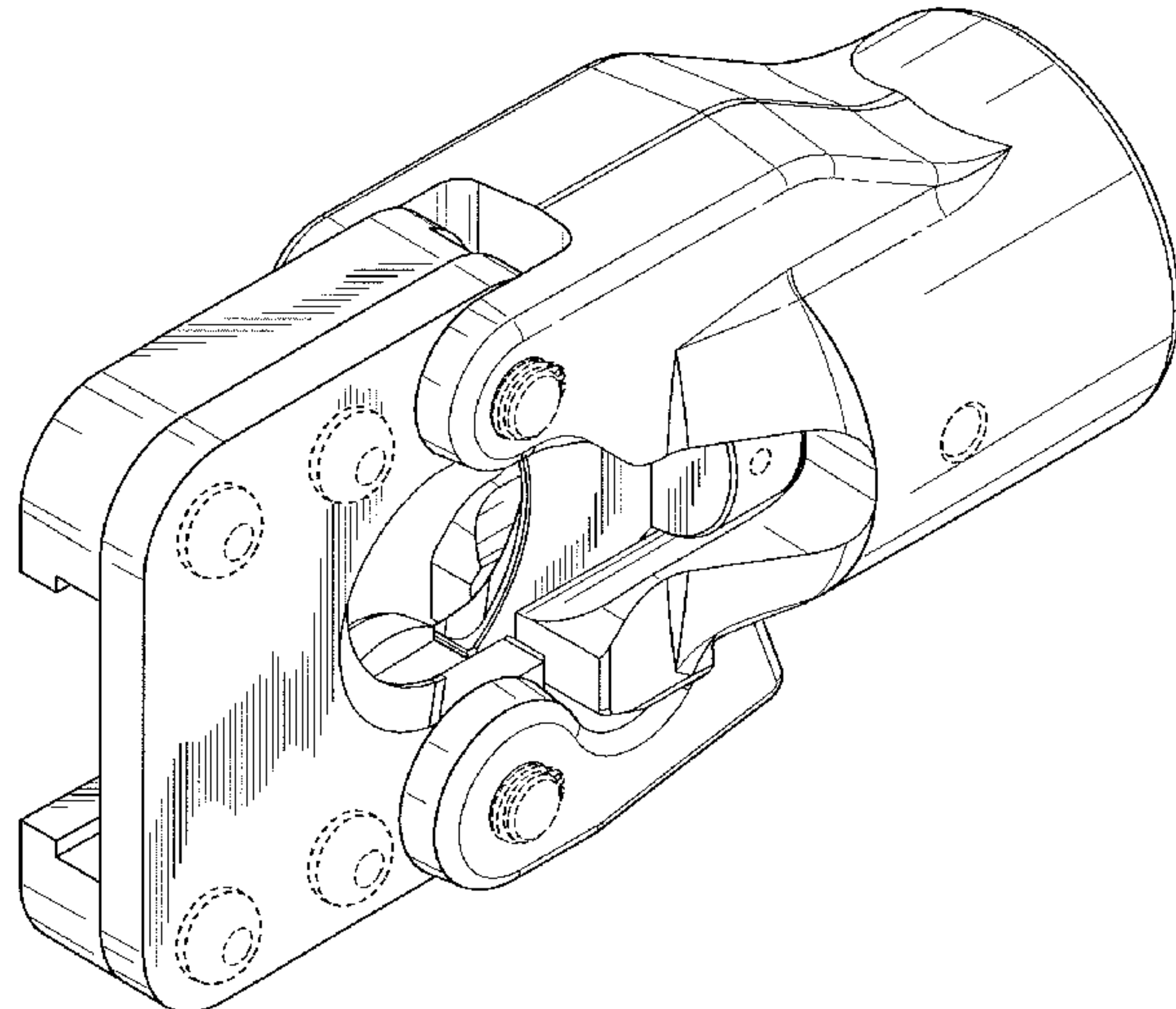
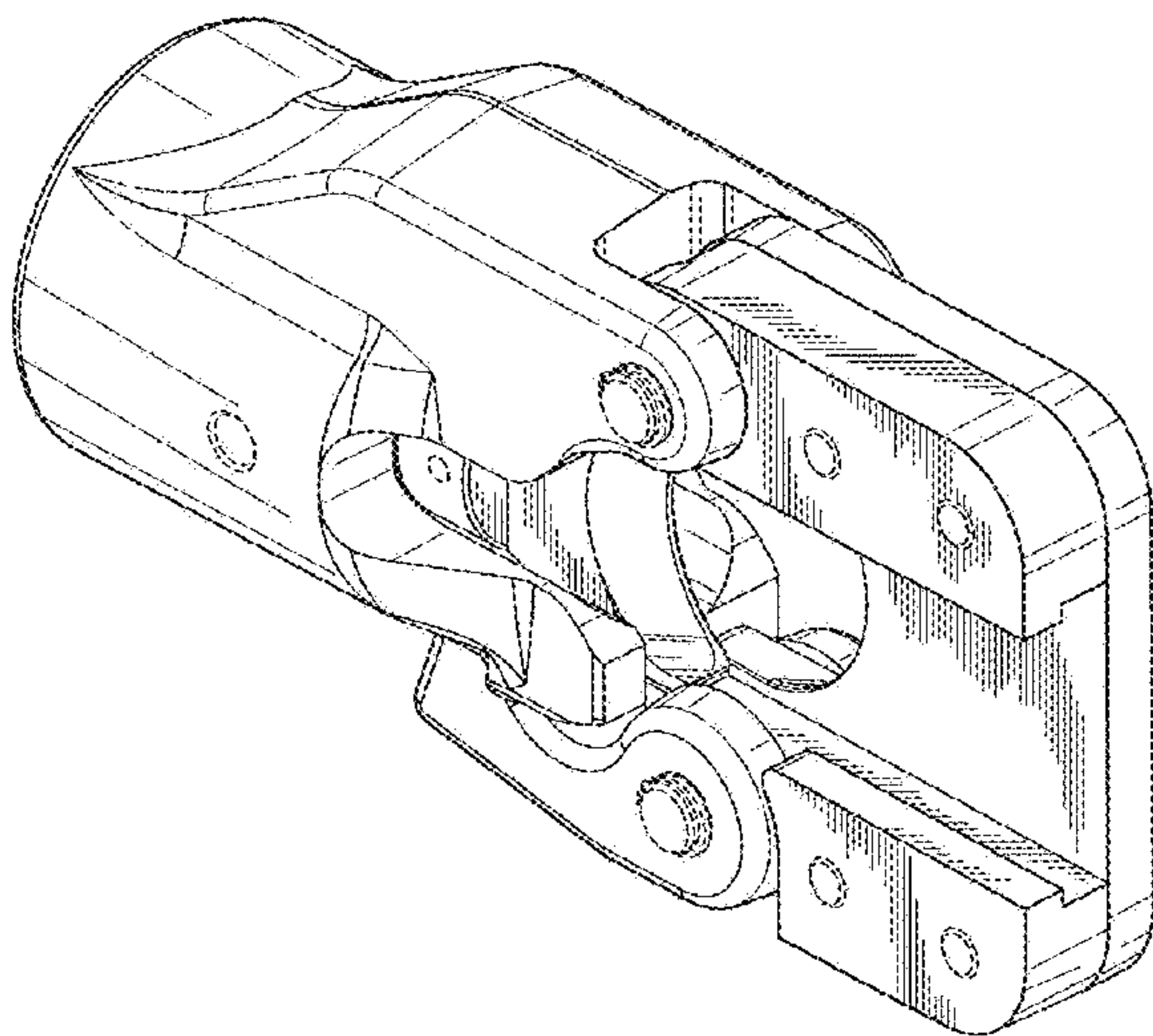
FIG. 6 is a top view thereof.

FIG. 7 is a front view thereof; and,

FIG. 8 is a rear view thereof.

The broken lines are environmental only and form no part of the claimed design.

1 Claim, 7 Drawing Sheets



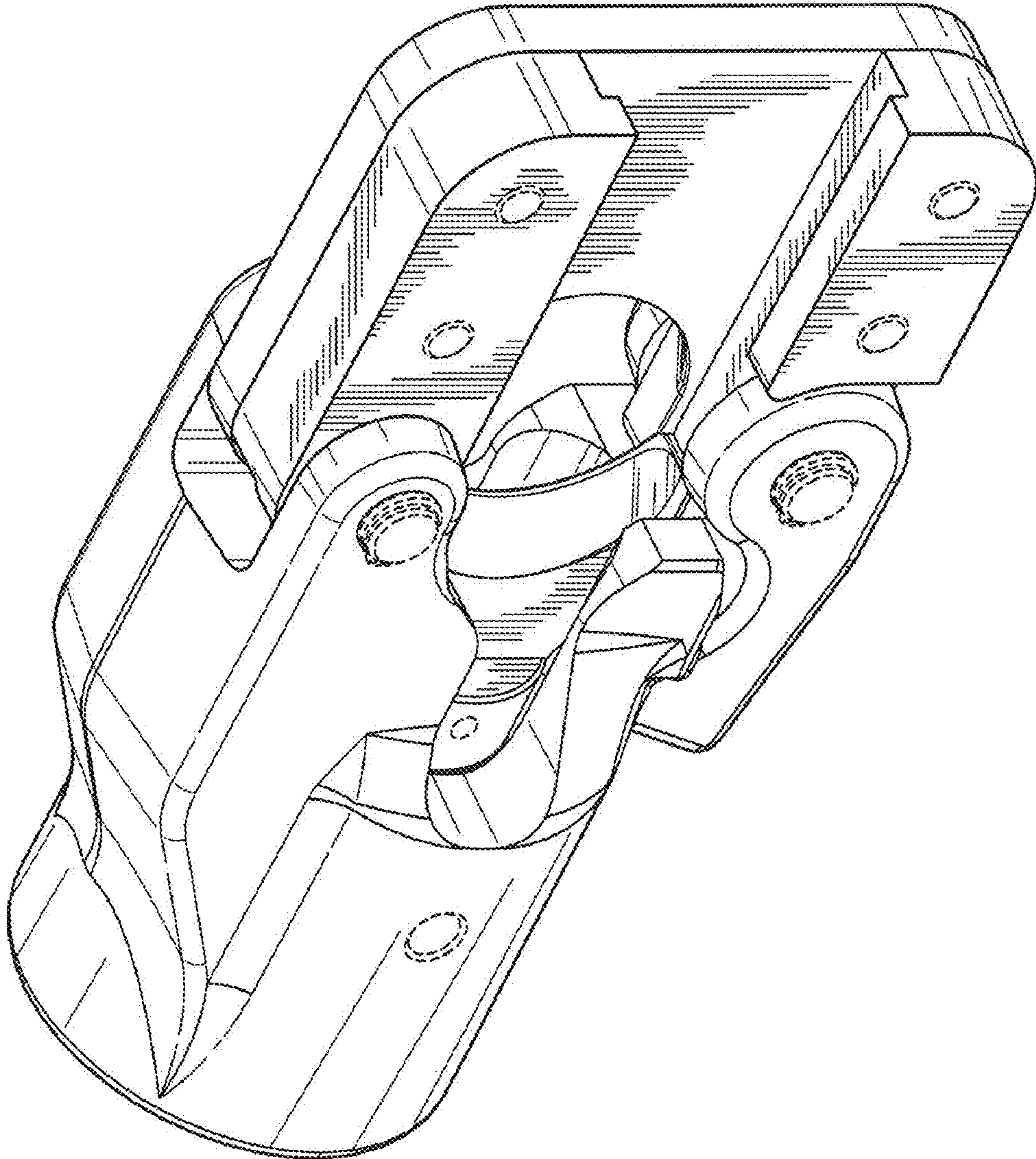


FIG. 1

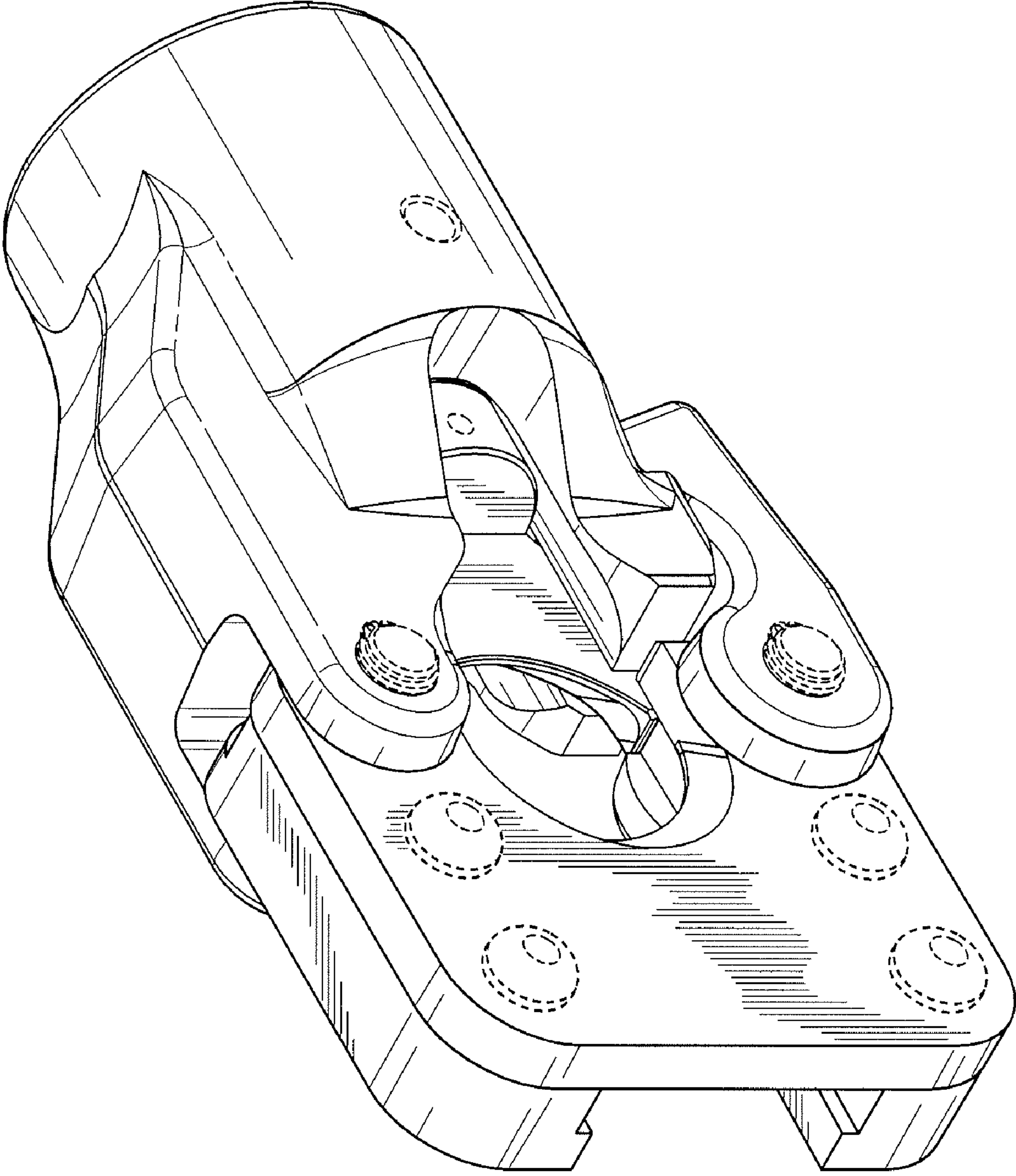


FIG. 2

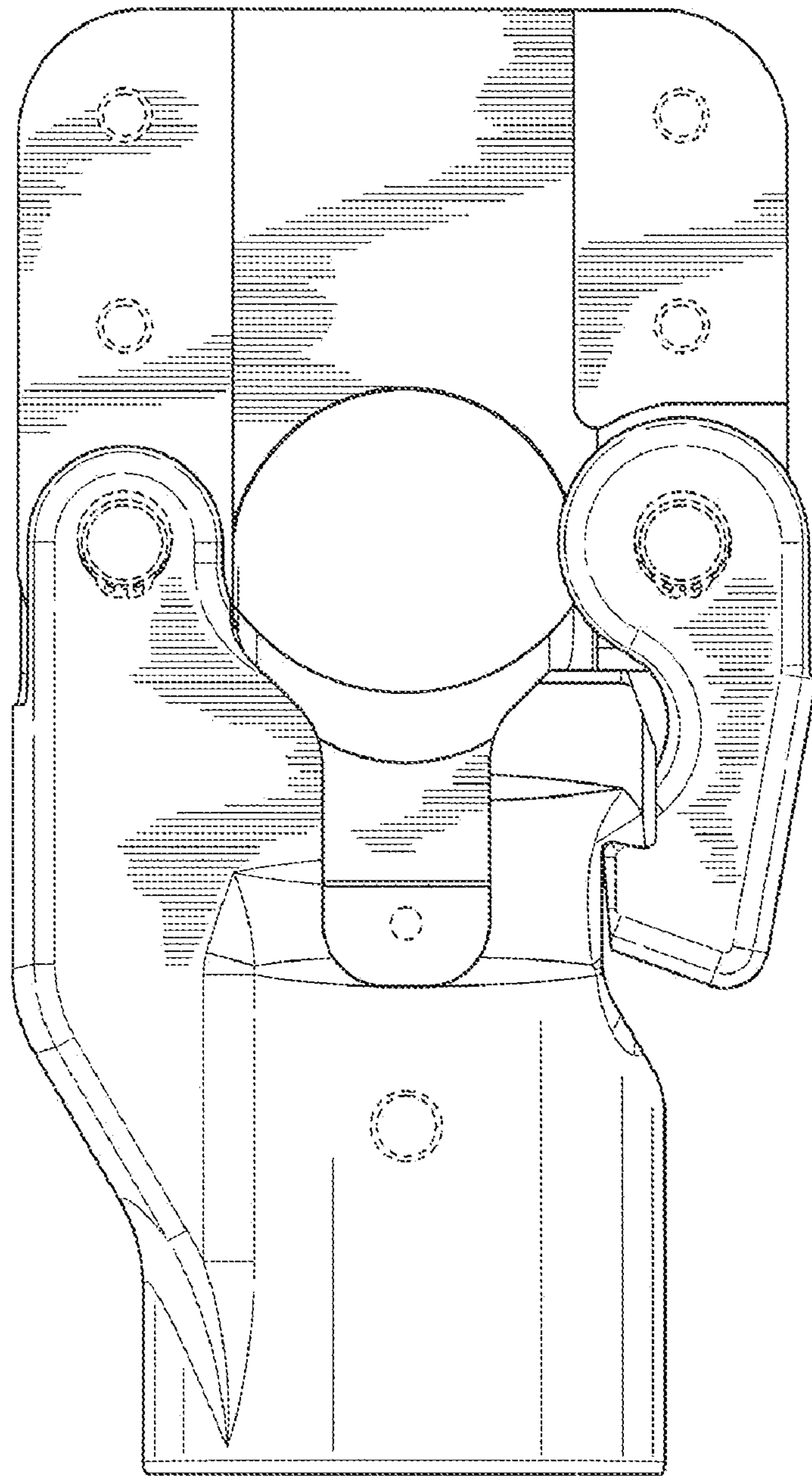


FIG. 3

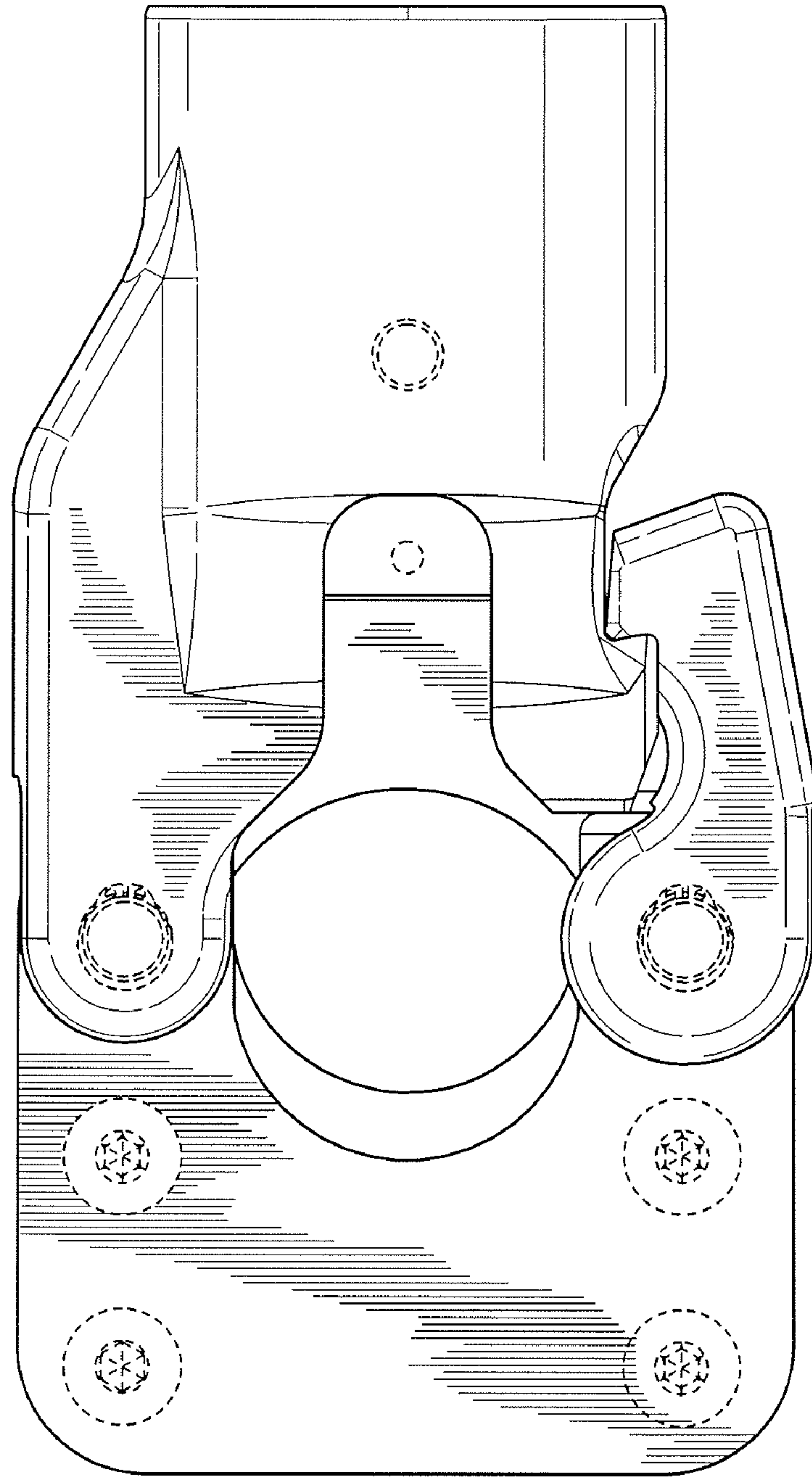


FIG. 4

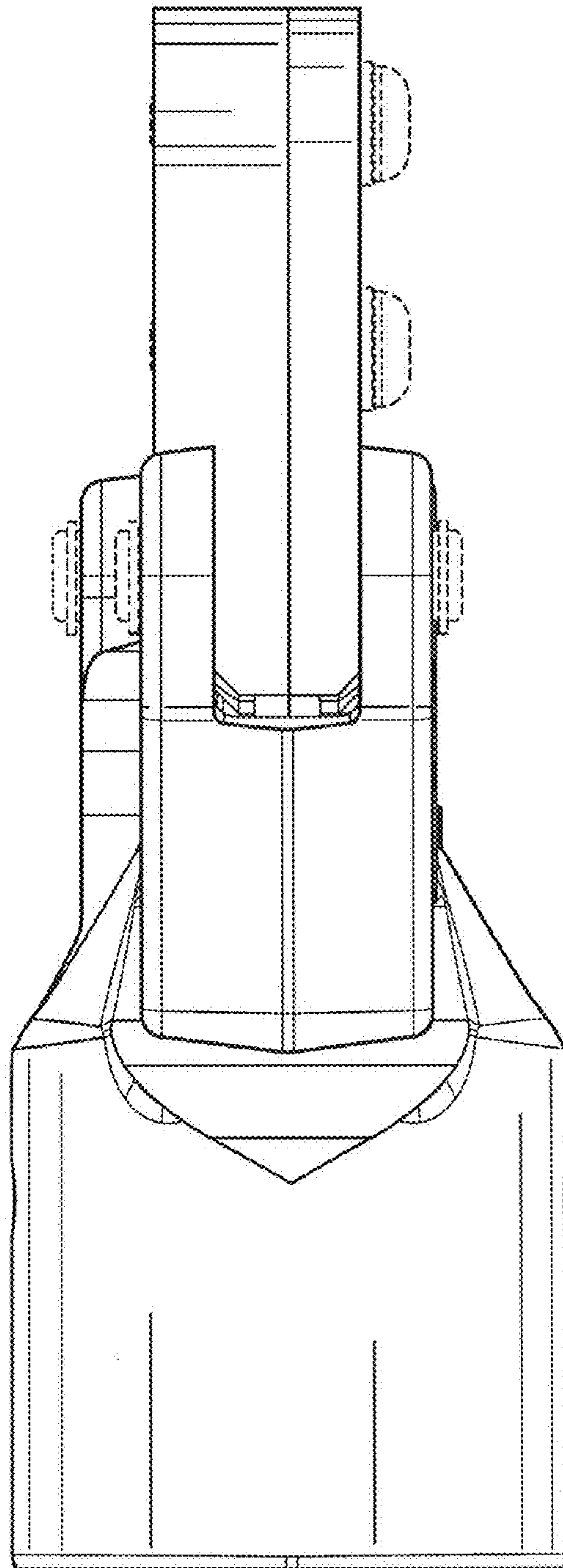


FIG. 5

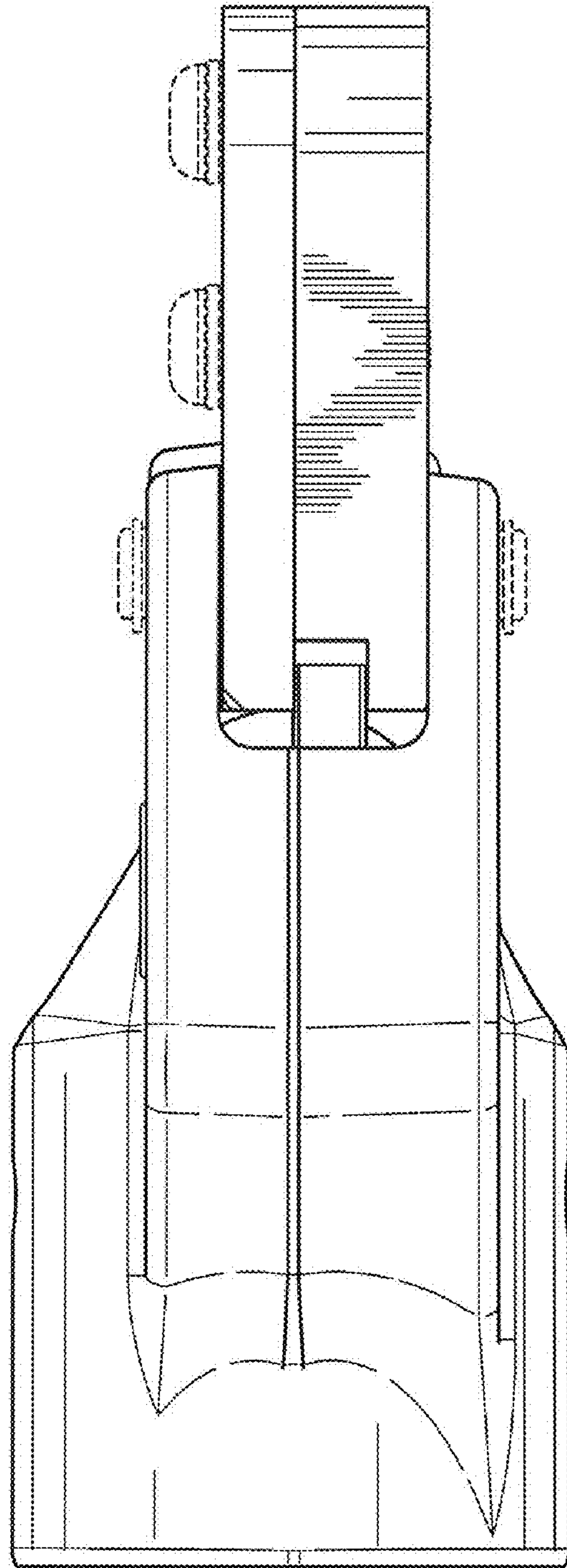


FIG. 6

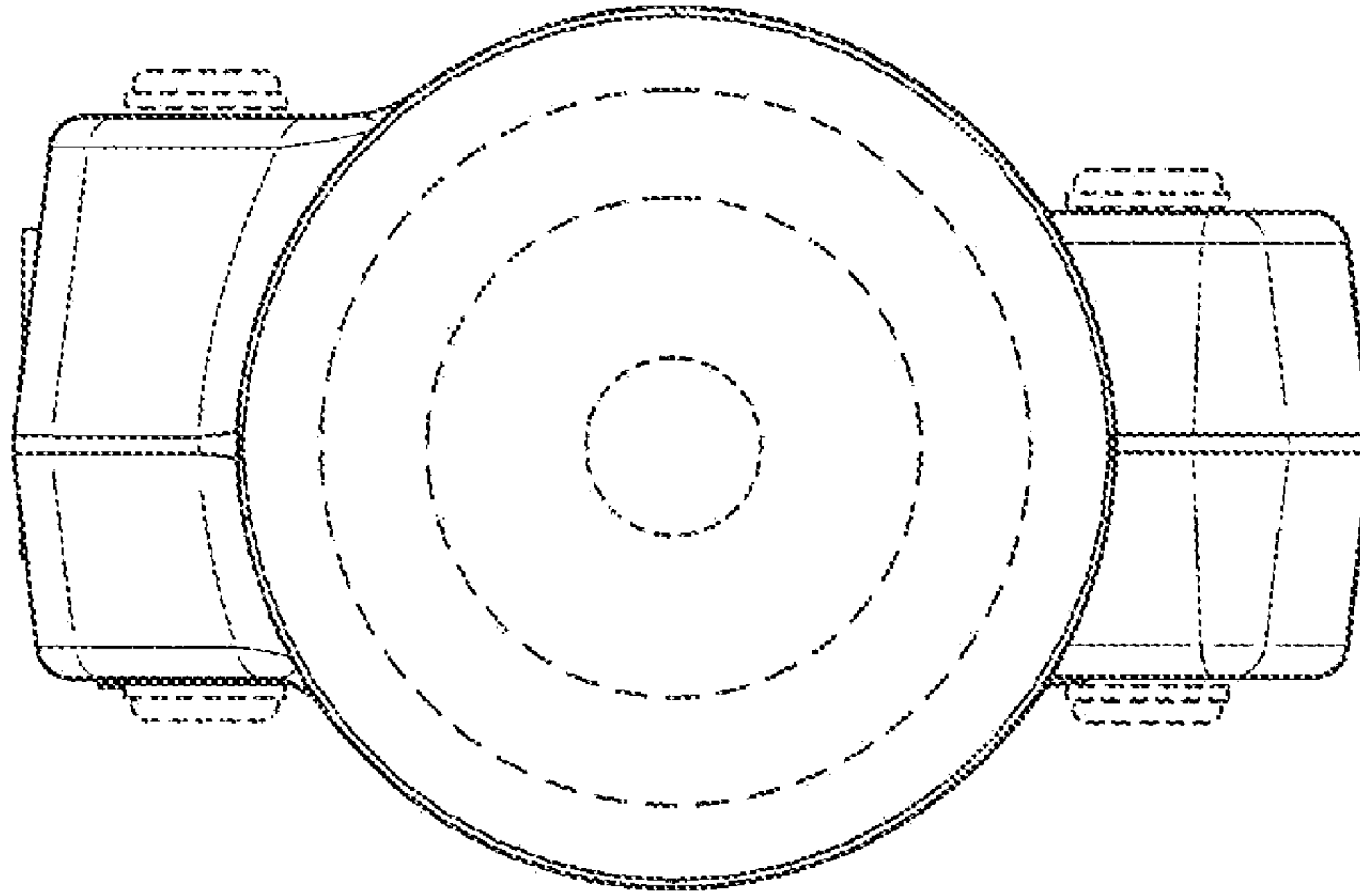


FIG. 8

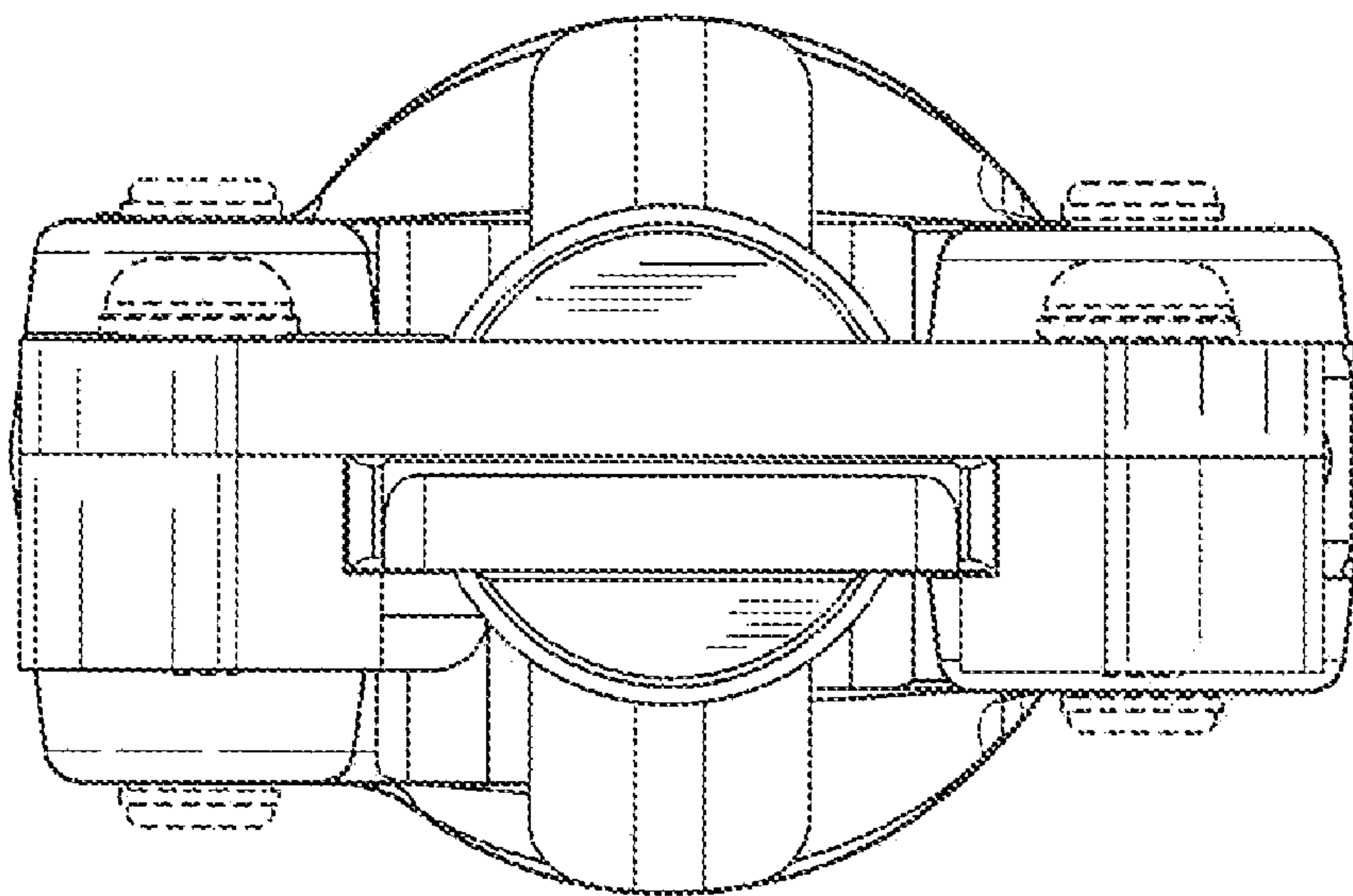


FIG. 7