



US00D626978S

(12) **United States Design Patent**  
**Huh**

(10) **Patent No.:** **US D626,978 S**

(45) **Date of Patent:** **\*\* Nov. 9, 2010**

(54) **GRINDING WHEEL**

(76) Inventor: **Jae Hwan Huh**, 1062 Woram-dong,  
Dalso-gu., Daegu (KR) 704-833

(\*\*) Term: **14 Years**

(21) Appl. No.: **29/365,938**

(22) Filed: **Jul. 16, 2010**

(51) **LOC (9) Cl.** ..... **15-09**

(52) **U.S. Cl.** ..... **D15/126**

(58) **Field of Classification Search** ..... D8/70,  
D8/71, 90, 98; D15/124, 126, 138; D25/103,  
D25/113-118; 83/589, 663, 676; 451/548-551  
See application file for complete search history.

(56) **References Cited**

**U.S. PATENT DOCUMENTS**

D424,076 S \* 5/2000 Dibbern et al. .... D15/140  
7,670,208 B2 \* 3/2010 Thysell et al. .... 451/353

D619,152 S \* 7/2010 Evatt et al. .... D15/138  
2005/0164620 A1 \* 7/2005 Amamoto ..... 451/548  
2008/0009232 A1 \* 1/2008 Thysell ..... 451/548

\* cited by examiner

*Primary Examiner*—Patricia Palasik

(74) *Attorney, Agent, or Firm*—IPLA P.A.; James E. Bame

(57) **CLAIM**

The ornamental design for a grinding wheel, as shown and described.

**DESCRIPTION**

FIG. 1 is a perspective view of a grinding wheel according to my new design; and,

FIG. 2 is a top plan view thereof.

The broken line showing illustrates environment only and forms no part of the claimed design.

**1 Claim, 2 Drawing Sheets**

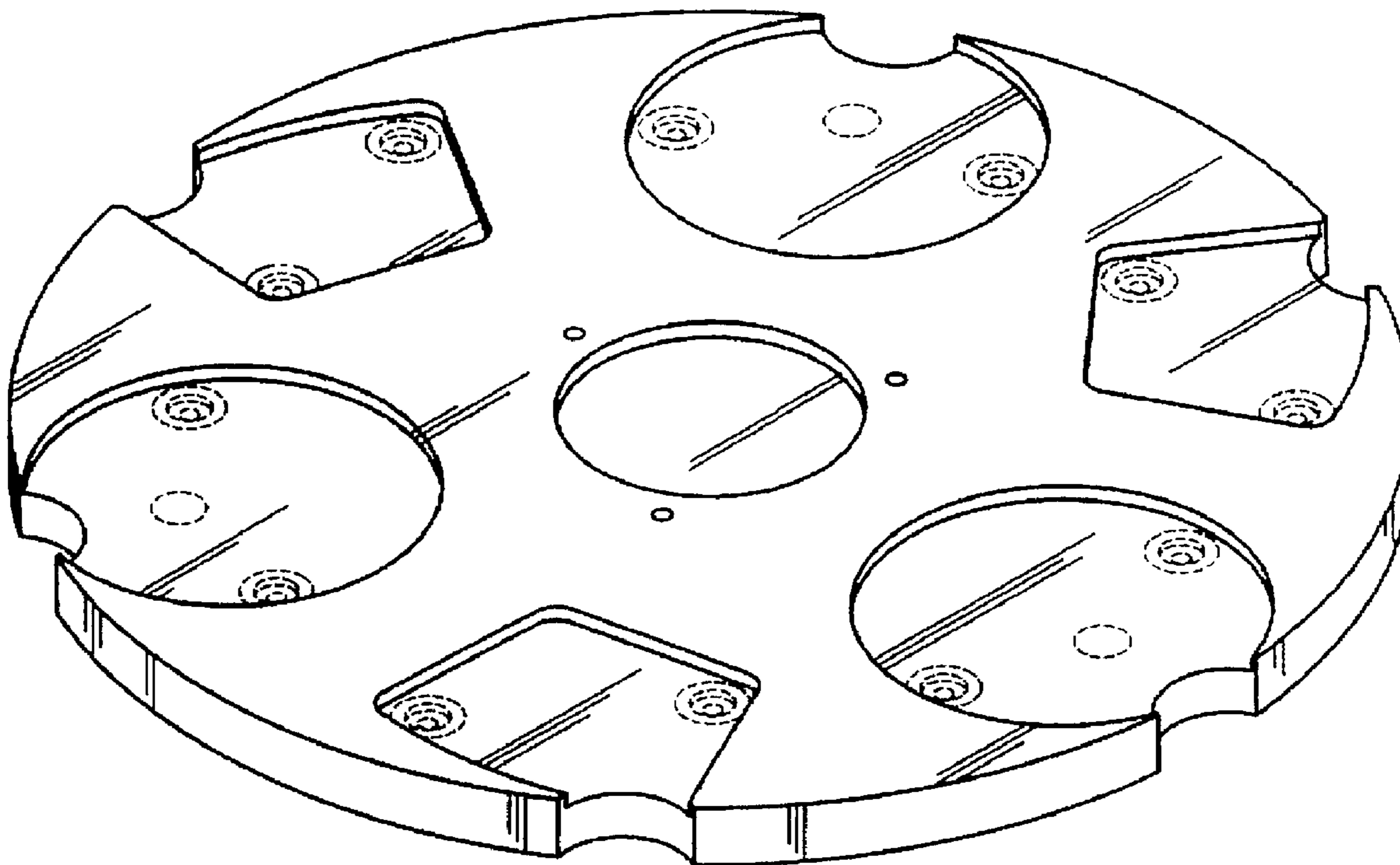


FIG. 1

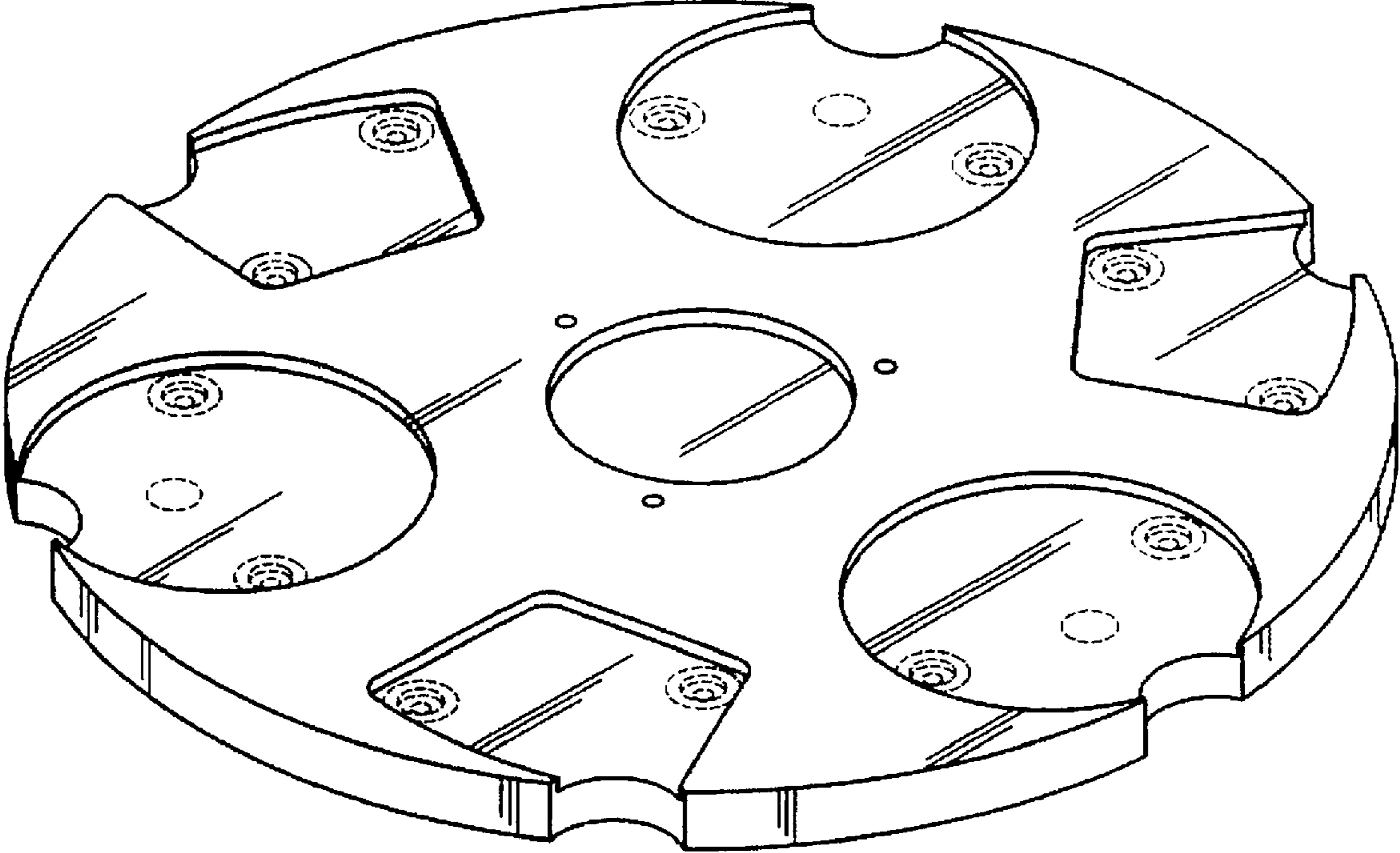


FIG. 2

