



US00D626977S

(12) **United States Design Patent**  
**Popov**

(10) **Patent No.:** **US D626,977 S**

(45) **Date of Patent:** **\*\* Nov. 9, 2010**

(54) **ABRASIVE PLATE**

(76) **Inventor:** **Georgi M. Popov**, 1050 Saratoga Ct.,  
Braselton, GA (US) 30517

(\*\*) **Term:** **14 Years**

(21) **Appl. No.:** **29/361,351**

(22) **Filed:** **May 10, 2010**

(51) **LOC (9) Cl.** ..... **15-09**

(52) **U.S. Cl.** ..... **D15/126**

(58) **Field of Classification Search** ..... D8/70,  
D8/71, 90, 98; D15/124, 126, 138; D21/485,  
D21/488, 499, 500, 503, 504; D25/103,  
D25/113-118; 83/589, 663, 676; 451/548-551  
See application file for complete search history.

(56) **References Cited**

**U.S. PATENT DOCUMENTS**

5,782,682	A *	7/1998	Han et al.	.....	451/548
D424,076	S *	5/2000	Dibbern et al.	.....	D15/140
6,371,842	B1 *	4/2002	Romero	.....	451/540
D486,839	S *	2/2004	Sunagawa et al.	.....	D15/126
7,220,168	B2 *	5/2007	Masuko	.....	451/42
D555,681	S *	11/2007	Popov	.....	D15/126
D585,466	S *	1/2009	Park	.....	D15/126
D590,229	S *	4/2009	Reece, Jr.	.....	D8/70
D592,229	S *	5/2009	Park	.....	D15/126
D609,545	S *	2/2010	Ueno et al.	.....	D8/70

7,670,208	B2 *	3/2010	Thysell et al.	.....	451/353
D619,152	S *	7/2010	Evatt et al.	.....	D15/138
2005/0164620	A1 *	7/2005	Amamoto	.....	451/548
2008/0009232	A1 *	1/2008	Thysell	.....	451/548

\* cited by examiner

*Primary Examiner*—Patricia Palasik

(74) *Attorney, Agent, or Firm*—Gardner Groff Greenwald & Villanueva, P.C.

(57) **CLAIM**

The ornamental design for an abrasive plate, as shown and described.

**DESCRIPTION**

FIG. 1 is a perspective view of an abrasive plate.

FIG. 2 is a bottom plan view of the abrasive plate of FIG. 1.

FIG. 3 is a front elevation view of the abrasive plate of FIG. 1.

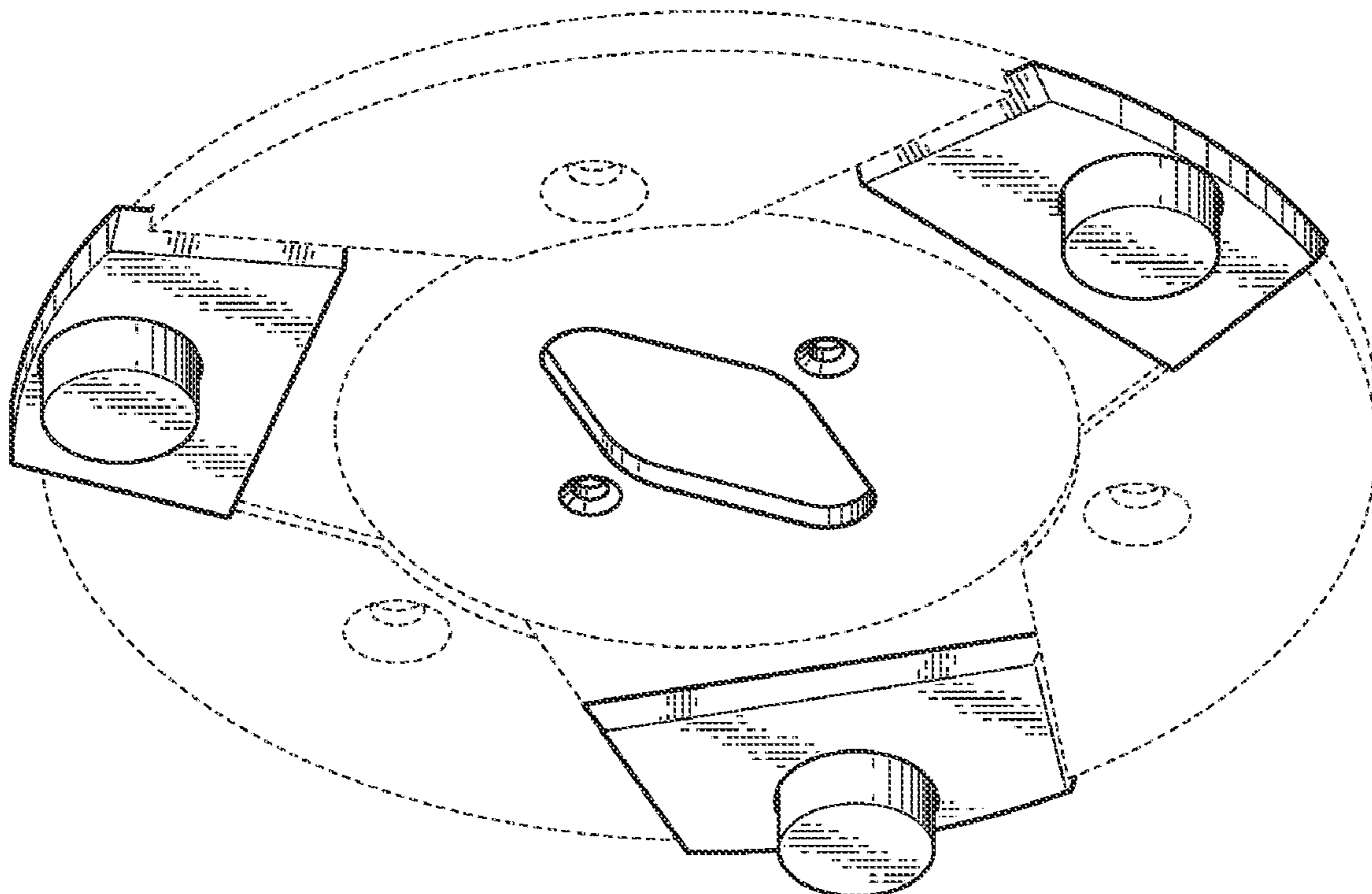
FIG. 4 is a rear elevation view of the abrasive plate of FIG. 1.

FIG. 5 is a left side elevation view of the abrasive plate of FIG. 1, the right side elevation view being a mirror image thereof; and,

FIG. 6 is a top plan view of the abrasive plate of FIG. 1.

The broken lines are for illustrative purposes and form no part of the claimed design.

**1 Claim, 2 Drawing Sheets**



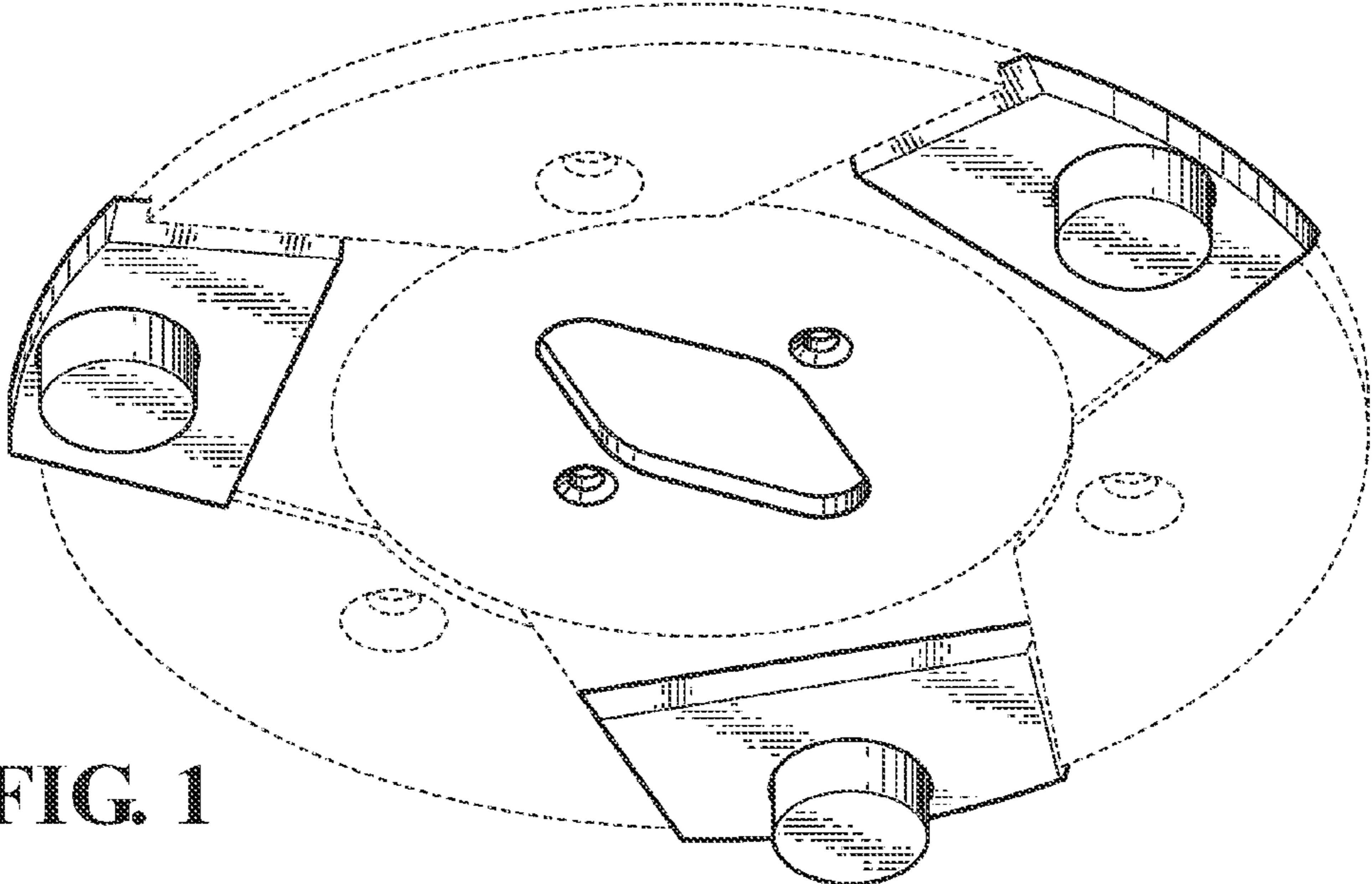


FIG. 1

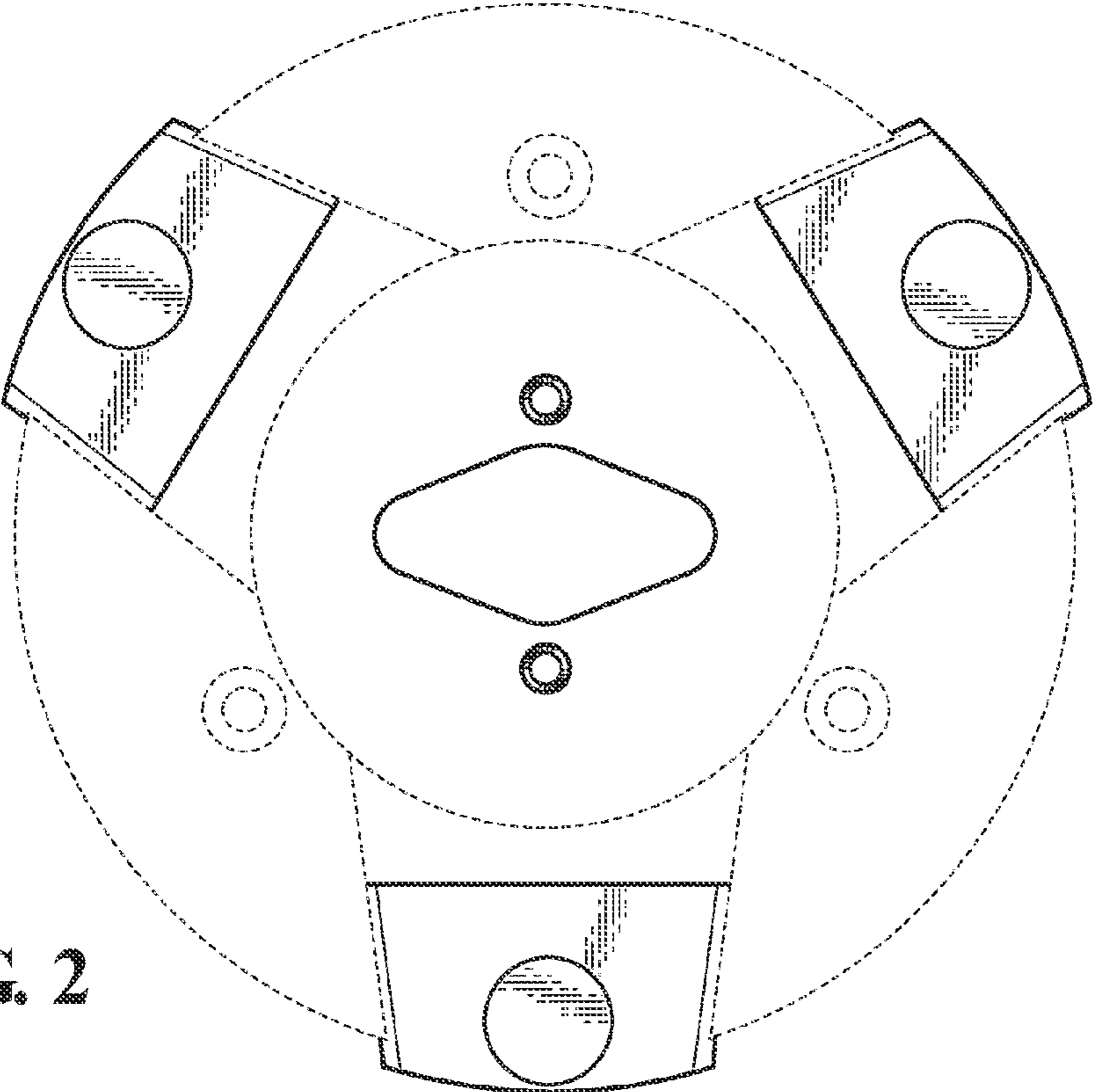


FIG. 2

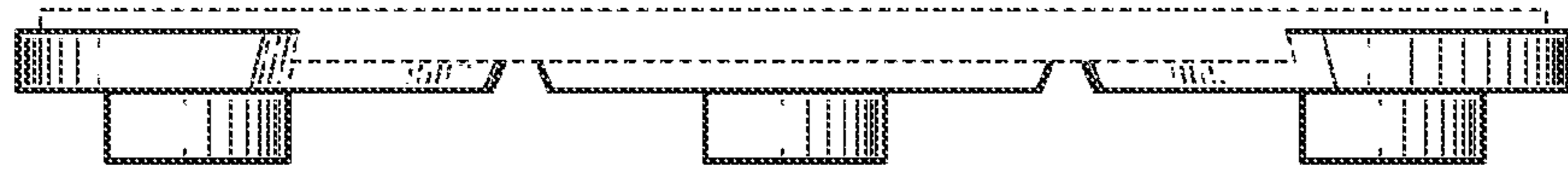


FIG. 3

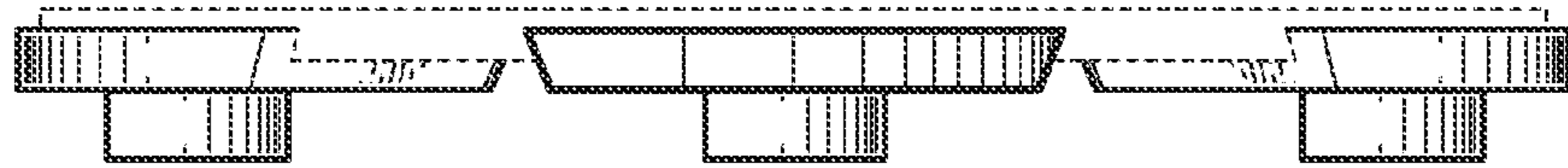


FIG. 4

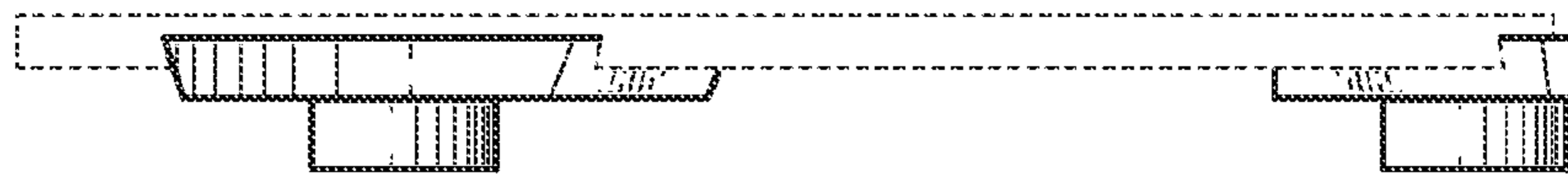


FIG. 5

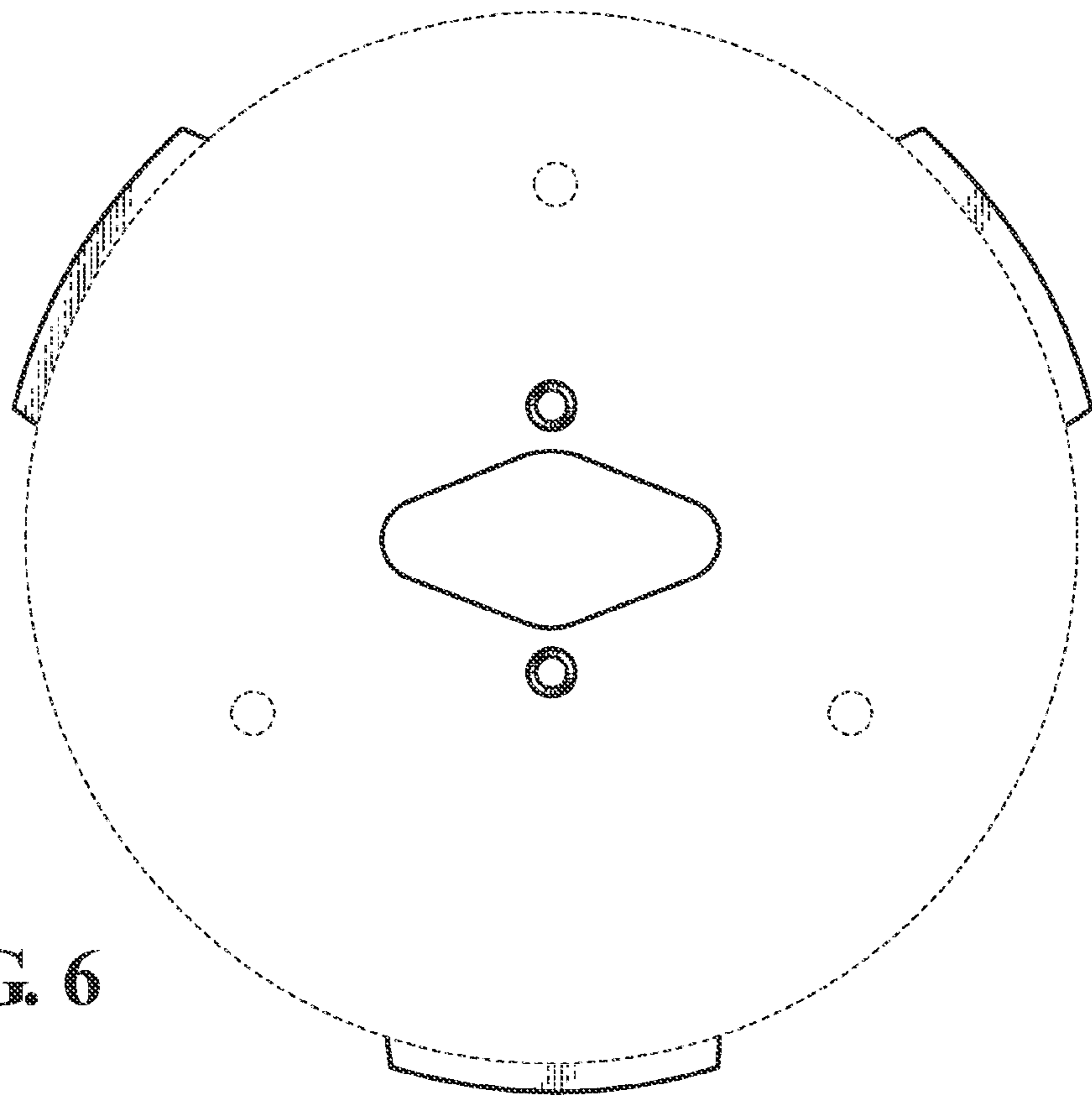


FIG. 6