



US00D626974S

(12) **United States Design Patent**
Barber

(10) **Patent No.:** **US D626,974 S**

(45) **Date of Patent:** **** Nov. 9, 2010**

(54) **MINERAL BREAKER TOOTH**

(75) Inventor: **Richard Barber**, Alfreton (GB)

(73) Assignee: **MMD Design and Consultancy**,
Derbyshire (GB)

(**) Term: **14 Years**

(21) Appl. No.: **29/345,451**

(22) Filed: **Oct. 15, 2009**

(30) **Foreign Application Priority Data**

May 28, 2009 (BR) 020090052575

(51) **LOC (9) Cl.** **15-03**

(52) **U.S. Cl.** **D15/29**

(58) **Field of Classification Search** D15/10,
D15/25, 28, 29; 172/699, 713, 730, 770,
172/771, 903; 37/452-458, 446; 241/197,
241/294, 300

See application file for complete search history.

(56) **References Cited**

U.S. PATENT DOCUMENTS

D200,546	S	*	3/1965	Nunn	D15/29
4,733,828	A	*	3/1988	Potts	241/236
D296,442	S	*	6/1988	Broomhall	D15/29
D297,940	S	*	10/1988	Edmisson	D15/29
4,781,331	A	*	11/1988	Potts	241/236
4,799,627	A	*	1/1989	Potts	241/236
D309,460	S	*	7/1990	Gross	D15/29
D336,905	S	*	6/1993	Magnusson	D15/29
D341,839	S	*	11/1993	Williams et al.	D15/29
D360,420	S	*	7/1995	Woodward et al.	D15/29
D389,844	S	*	1/1998	Moreno	D15/29

D391,583	S	*	3/1998	Moreno	D15/29
5,778,570	A	*	7/1998	Eichelberger	37/450
D413,338	S	*	8/1999	Pueyo Molina	D15/29
D414,193	S	*	9/1999	Launder et al.	D15/29
D429,256	S	*	8/2000	Zaun	D15/29
D454,891	S	*	3/2002	Ketting et al.	D15/29
D460,764	S	*	7/2002	Ketting et al.	D15/29
D461,832	S	*	8/2002	Ketting et al.	D15/29
D486,836	S	*	2/2004	Launder et al.	D15/29
7,377,459	B2	*	5/2008	Potts	241/197
7,658,343	B2	*	2/2010	Potts	241/158
2003/0136864	A1	*	7/2003	Garvin	241/30
2006/0091249	A1	*	5/2006	Potts	241/236
2006/0261202	A1	*	11/2006	Potts	241/236
2007/0246587	A1	*	10/2007	Potts	241/235

* cited by examiner

Primary Examiner—Mark A Goodwin

(74) *Attorney, Agent, or Firm*—John D. Lanza; Daniel E. Rose

(57) **CLAIM**

The ornamental design for a mineral breaker tooth, as shown and described.

DESCRIPTION

FIG. 1 is a perspective view of a mineral breaker tooth showing my new design.

FIG. 2 is a side view, the opposite side view being a mirror image thereof.

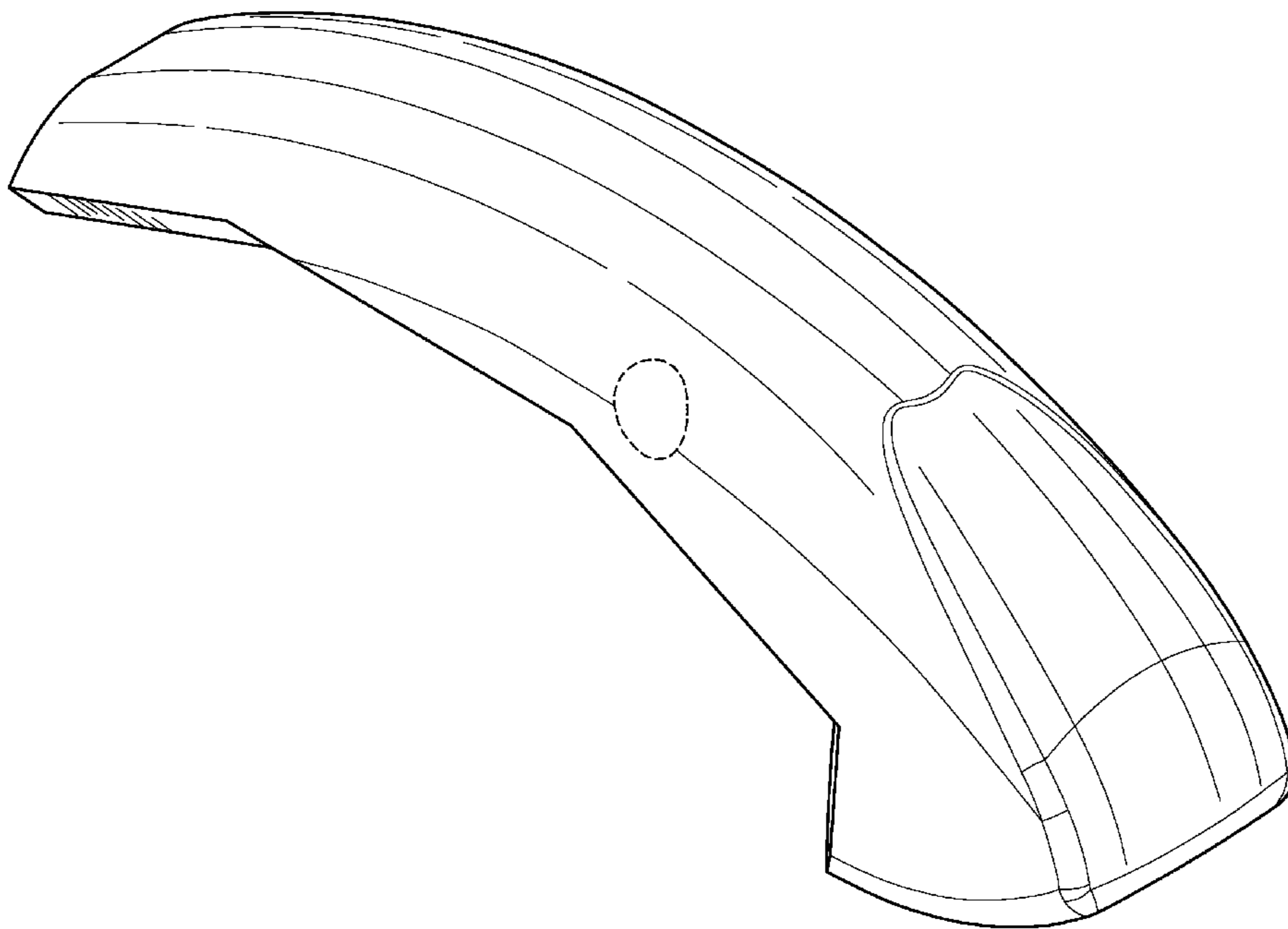
FIG. 3 is a top plan view thereof.

FIG. 4 is a bottom plan view thereof.

FIG. 5 is a front plan view thereof; and,

FIG. 6 is a rear plan view thereof.

1 Claim, 6 Drawing Sheets



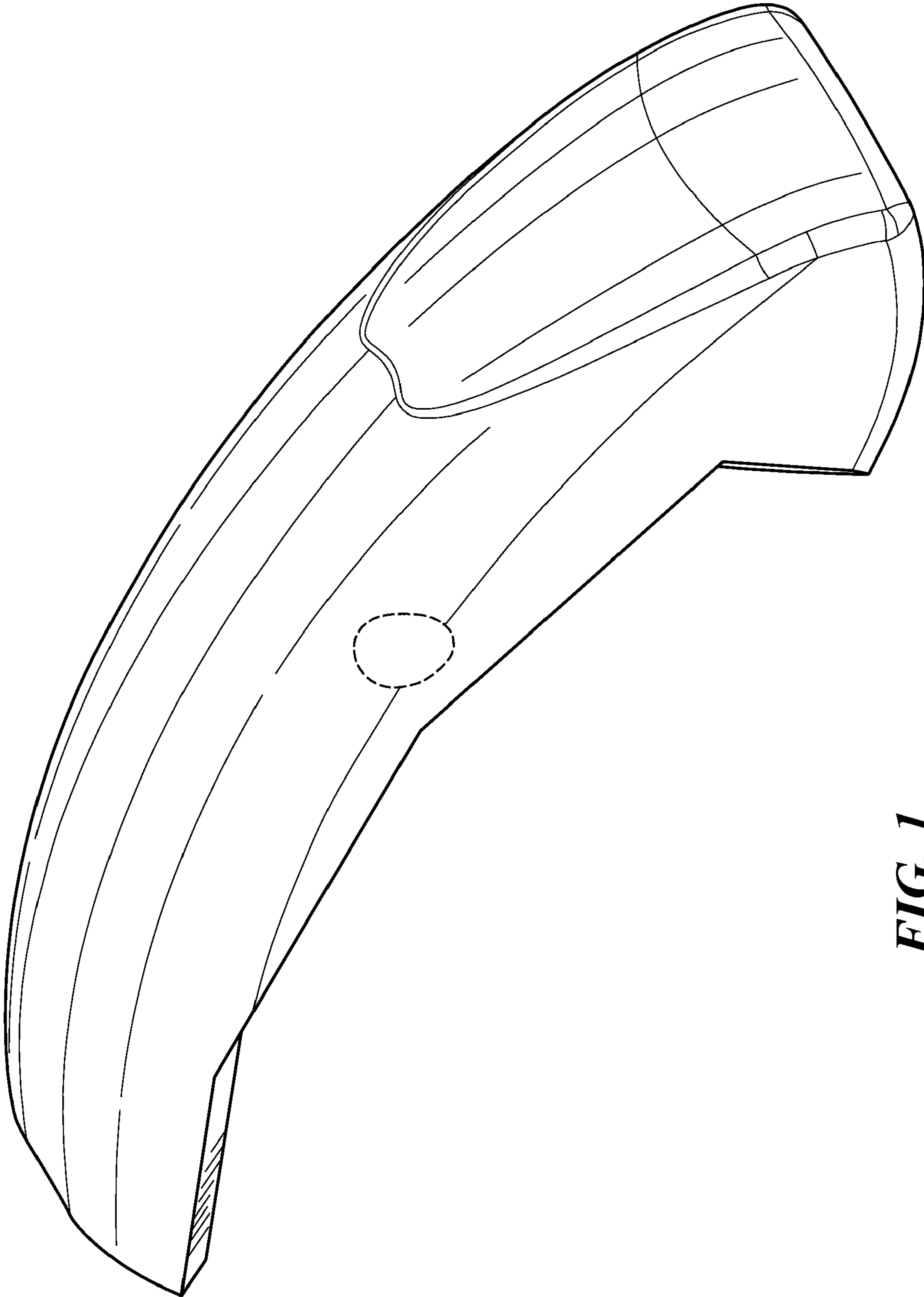


FIG. 1

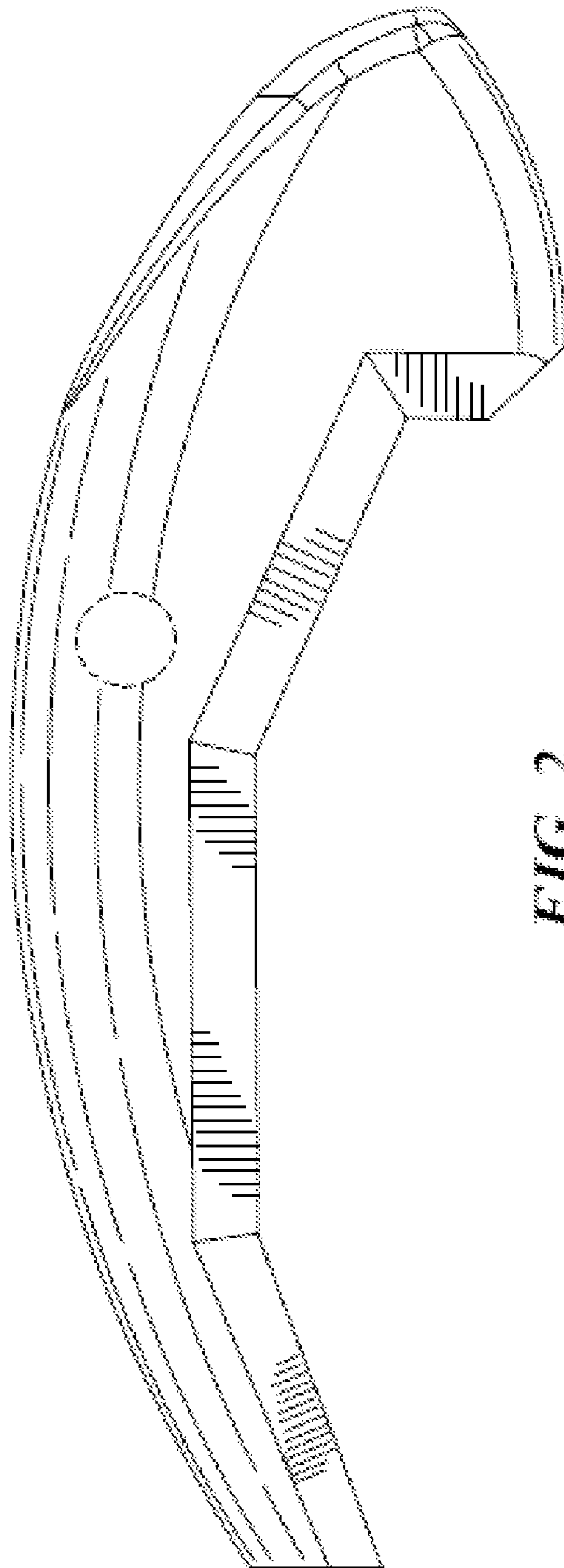


FIG. 2

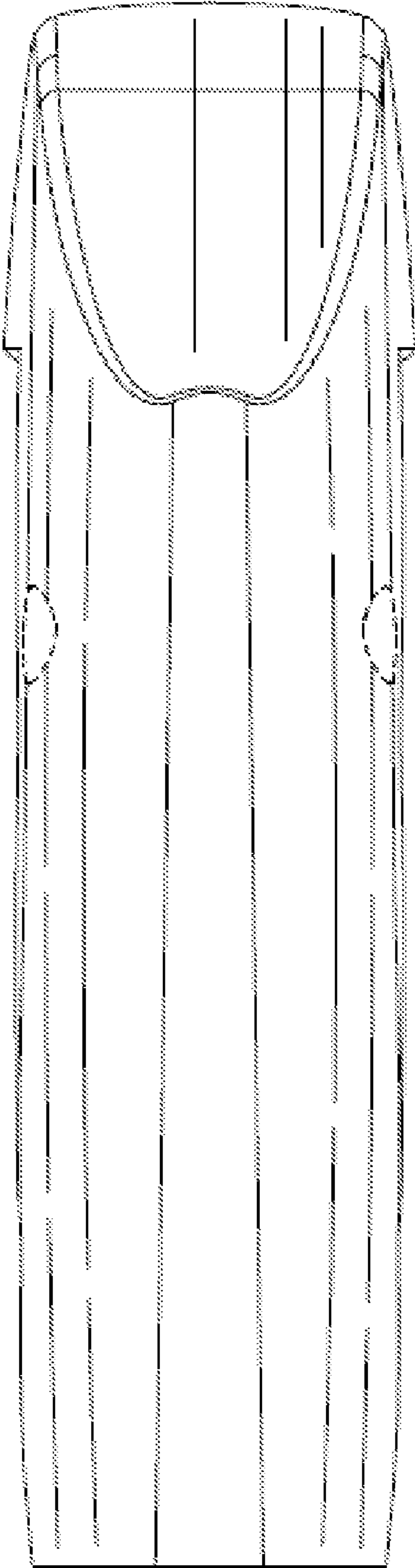


FIG. 3

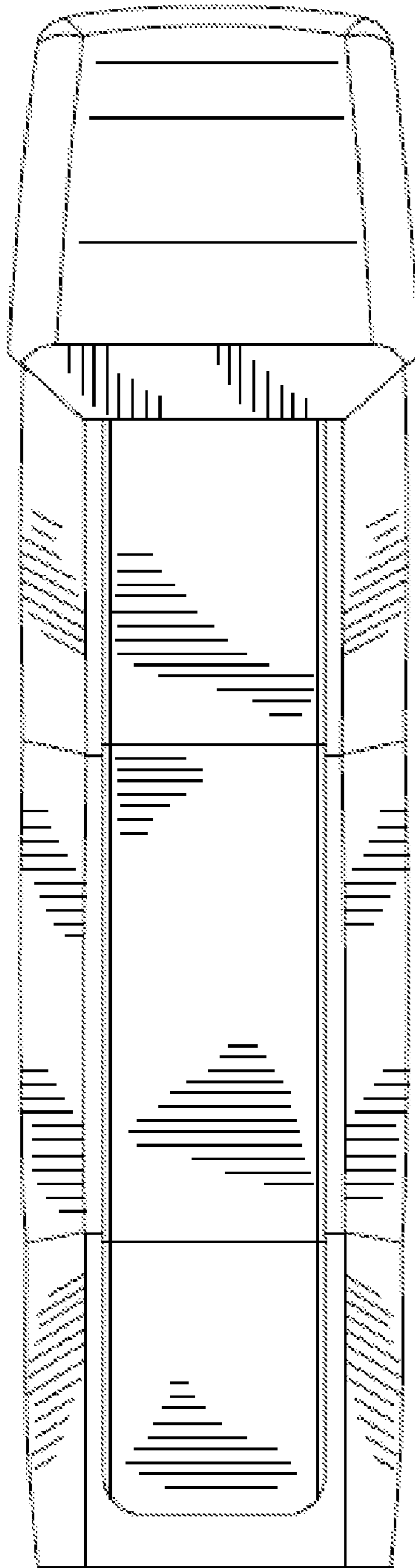


FIG. 4

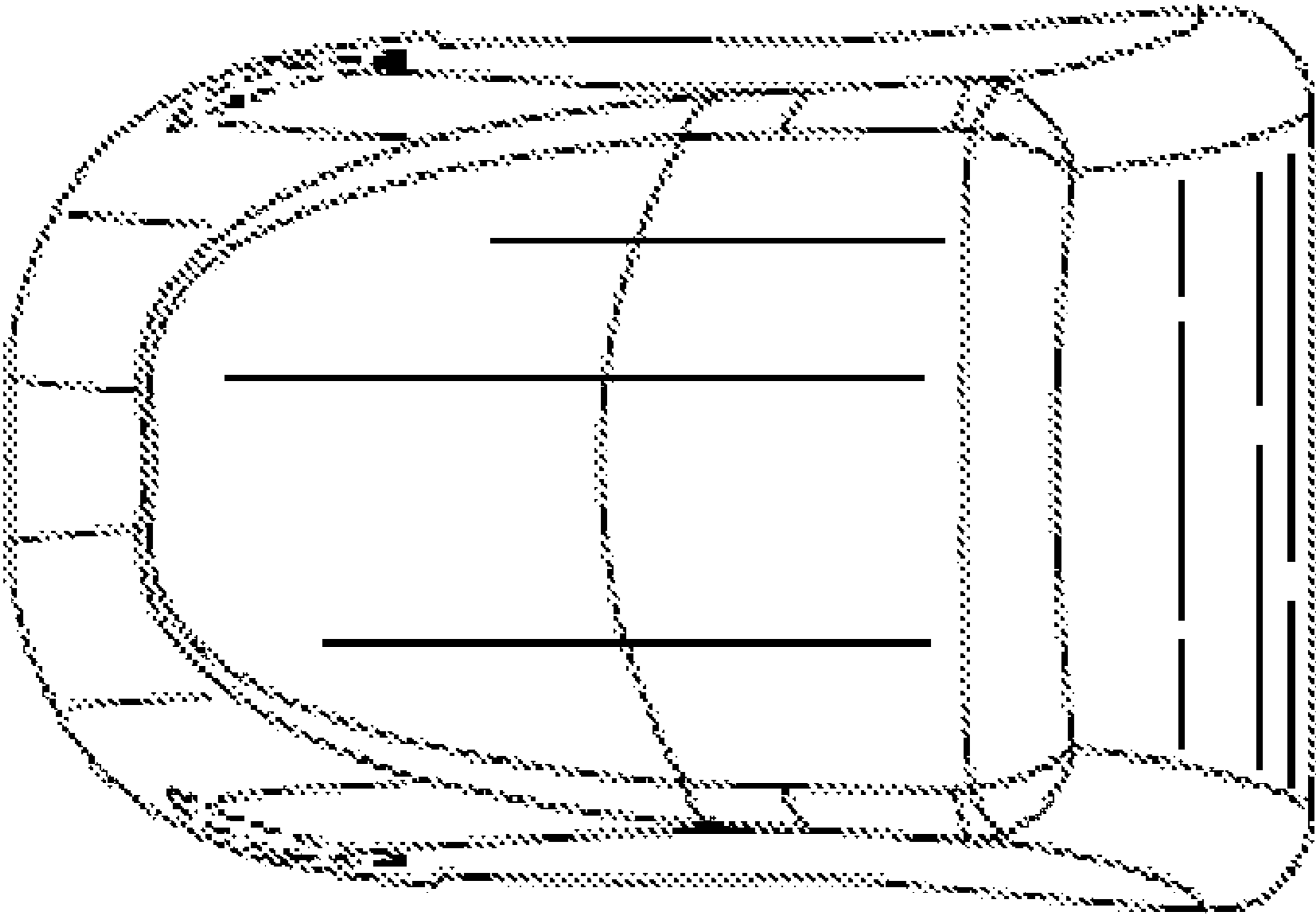


FIG. 5

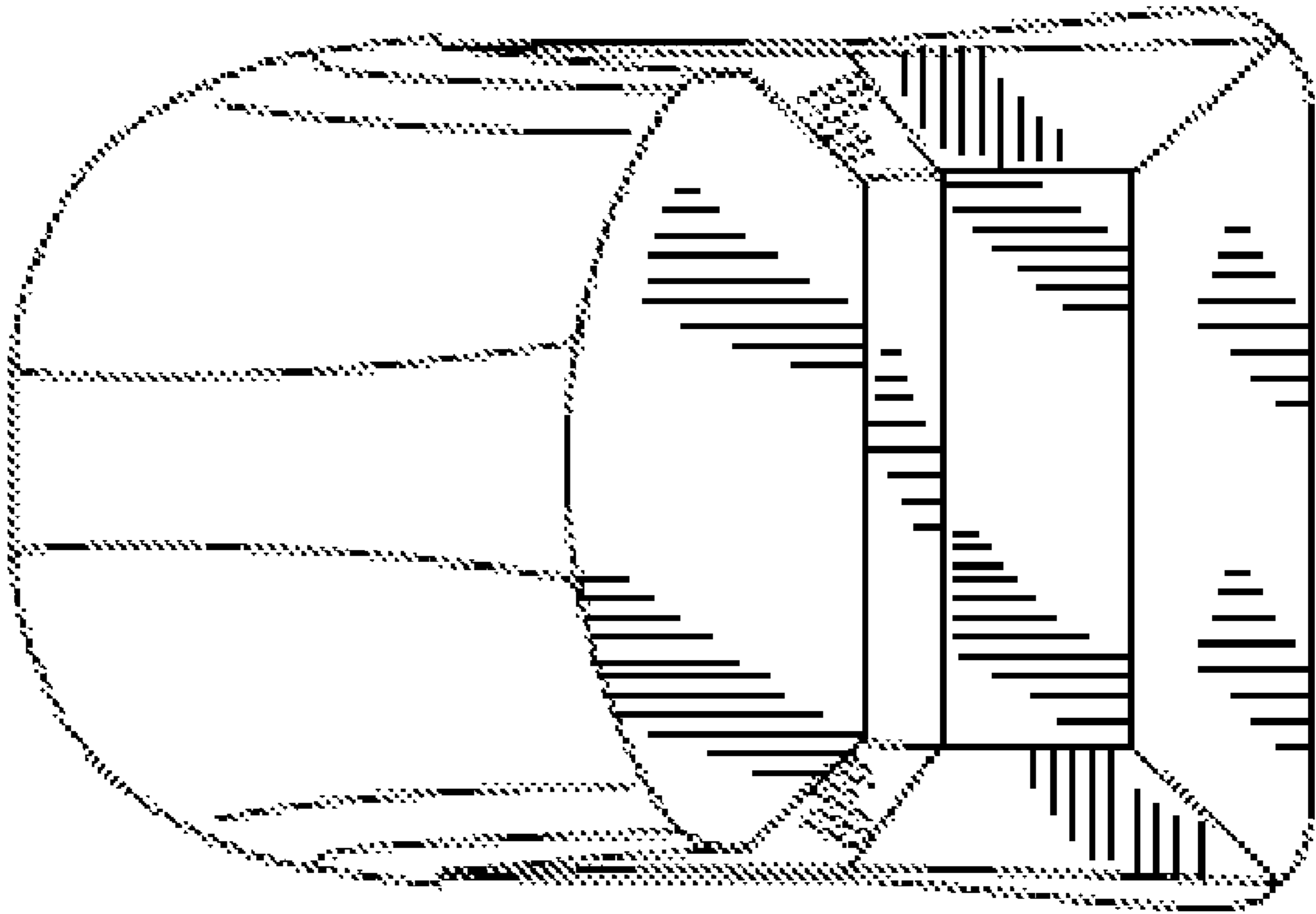


FIG. 6