



US00D626972S

(12) **United States Design Patent**  
**Hoover et al.**

(10) **Patent No.:** **US D626,972 S**

(45) **Date of Patent:** **\*\* Nov. 9, 2010**

(54) **AGRICULTURAL BALER**

(75) Inventors: **Larry Hoover**, Landisville, PA (US);  
**Roger Mast**, Ephrata, PA (US); **Carl Hagele**, Chicago, IL (US)

(73) Assignee: **CNH America LLC**, New Holland, PA (US)

(\*\*) Term: **14 Years**

(21) Appl. No.: **29/358,654**

(22) Filed: **Mar. 30, 2010**

(51) **LOC (9) Cl.** ..... **15-03**

(52) **U.S. Cl.** ..... **D15/27; D15/28**

(58) **Field of Classification Search** ..... D15/10,  
D15/17, 27, 28; 414/24.5; 100/4, 5, 8, 88,  
100/100; 56/341-343, 432, 202  
See application file for complete search history.

(56) **References Cited**

**U.S. PATENT DOCUMENTS**

D184,568 S *	3/1959	Kermes	.....	D15/27
D188,800 S *	9/1960	Kermes	.....	D15/27
D207,855 S *	6/1967	Kermes	.....	D15/27
3,913,473 A *	10/1975	Meiers	.....	100/5
D238,501 S *	1/1976	Gaeddert et al.	.....	D15/27
D242,572 S *	11/1976	Grist et al.	.....	D15/27
D268,678 S *	4/1983	Swenson et al.	.....	D15/27
4,759,279 A	7/1988	Frerich		
4,918,910 A *	4/1990	Sheehan et al.	.....	56/341
5,138,942 A *	8/1992	Henderson et al.	.....	100/88
5,193,450 A	3/1993	Anderson		
5,231,828 A	8/1993	Swearingen		
D357,688 S *	4/1995	Sprague	.....	D15/10

D373,591 S *	9/1996	Von Allworden et al.	.....	D15/26
D388,440 S *	12/1997	Bentley	.....	D15/13
D412,507 S	8/1999	Underhill		
D450,062 S *	11/2001	Spiers	.....	D15/10
6,857,251 B2	2/2005	McClure		
D600,253 S *	9/2009	Jacobs	.....	D15/10
2003/0159421 A1 *	8/2003	Trelstad et al.	.....	56/341

\* cited by examiner

*Primary Examiner*—Mark A Goodwin

(74) *Attorney, Agent, or Firm*—Patrick M. Sheldrake;  
Michael G. Harms

(57) **CLAIM**

We claim the ornamental design for an agricultural baler, as shown and described.

**DESCRIPTION**

FIG. 1 is a front perspective view of an agricultural baler showing our new design;

FIG. 2 is a top view thereof;

FIG. 3 is a left side view thereof;

FIG. 4 is a right side view thereof;

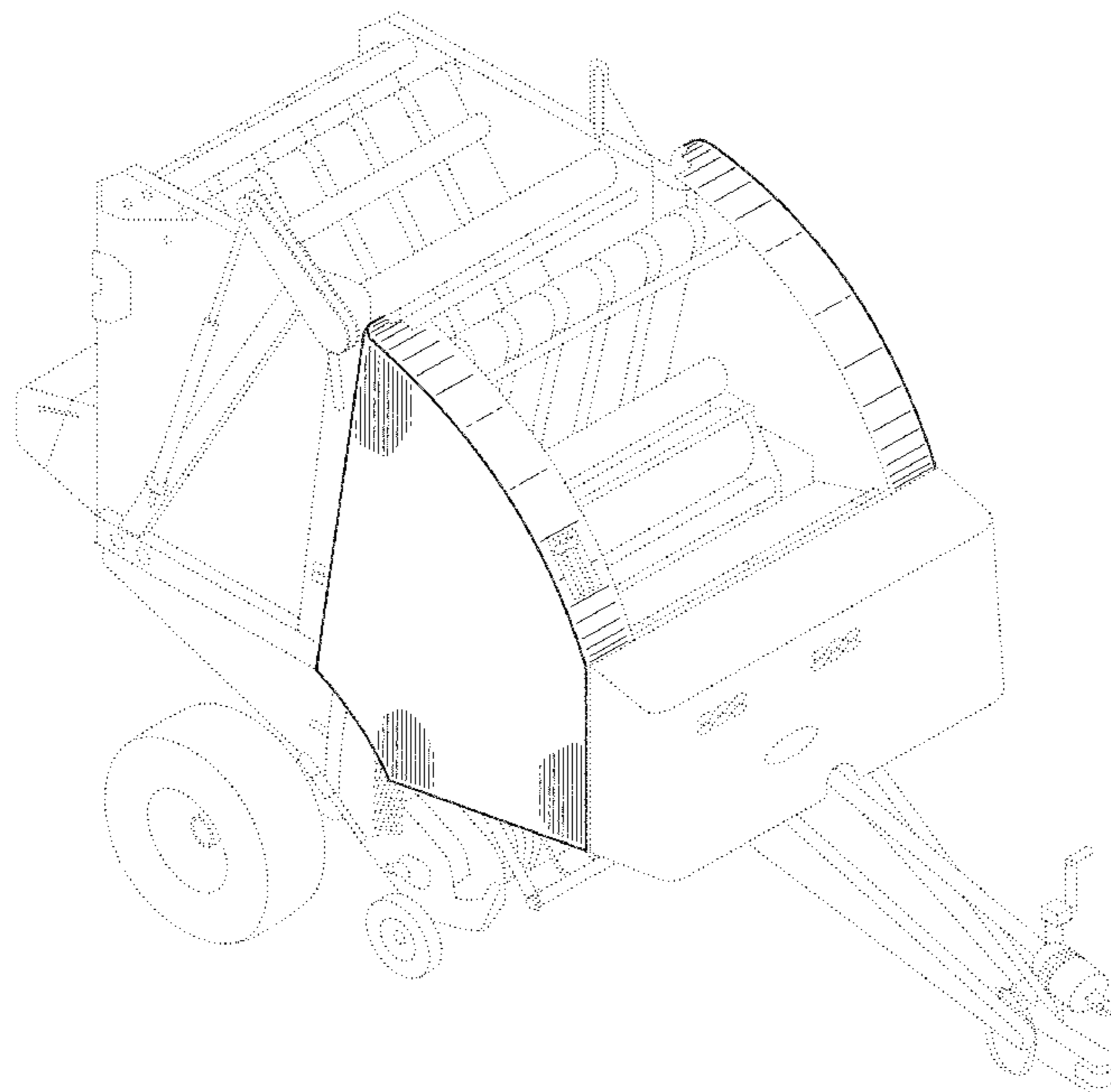
FIG. 5 is a front view thereof;

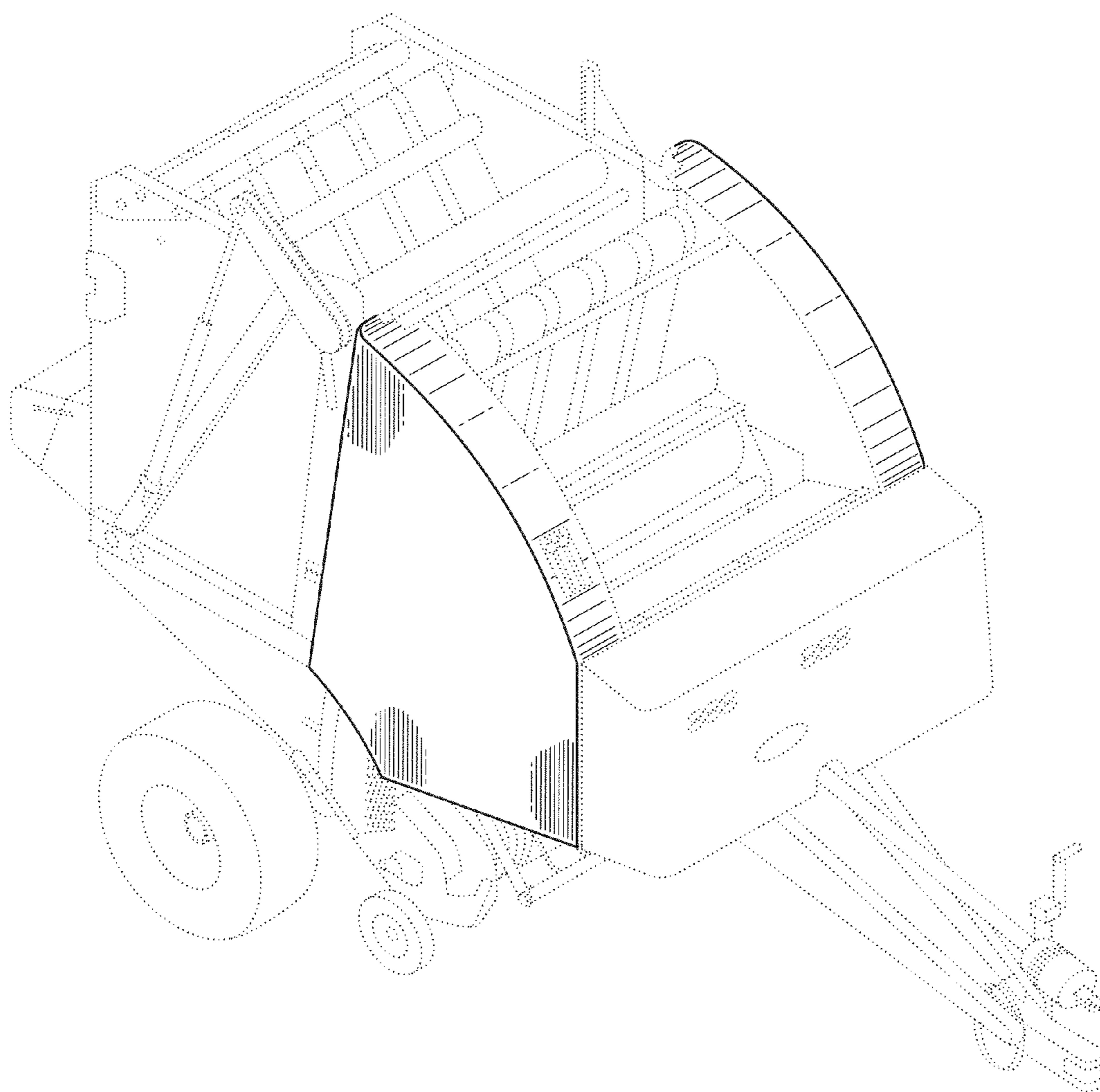
FIG. 6 is a rear view thereof; and,

FIG. 7 is a front perspective view thereof with a front wrap unit removed.

The bottom view is not visible during normal use of the machine and does not form part of the claimed design and therefore is not shown or disclosed. The elements depicted in dashed lines are shown for illustrative purpose of environment and form no part of the ornamental design.

**1 Claim, 7 Drawing Sheets**





**FIG. 1**

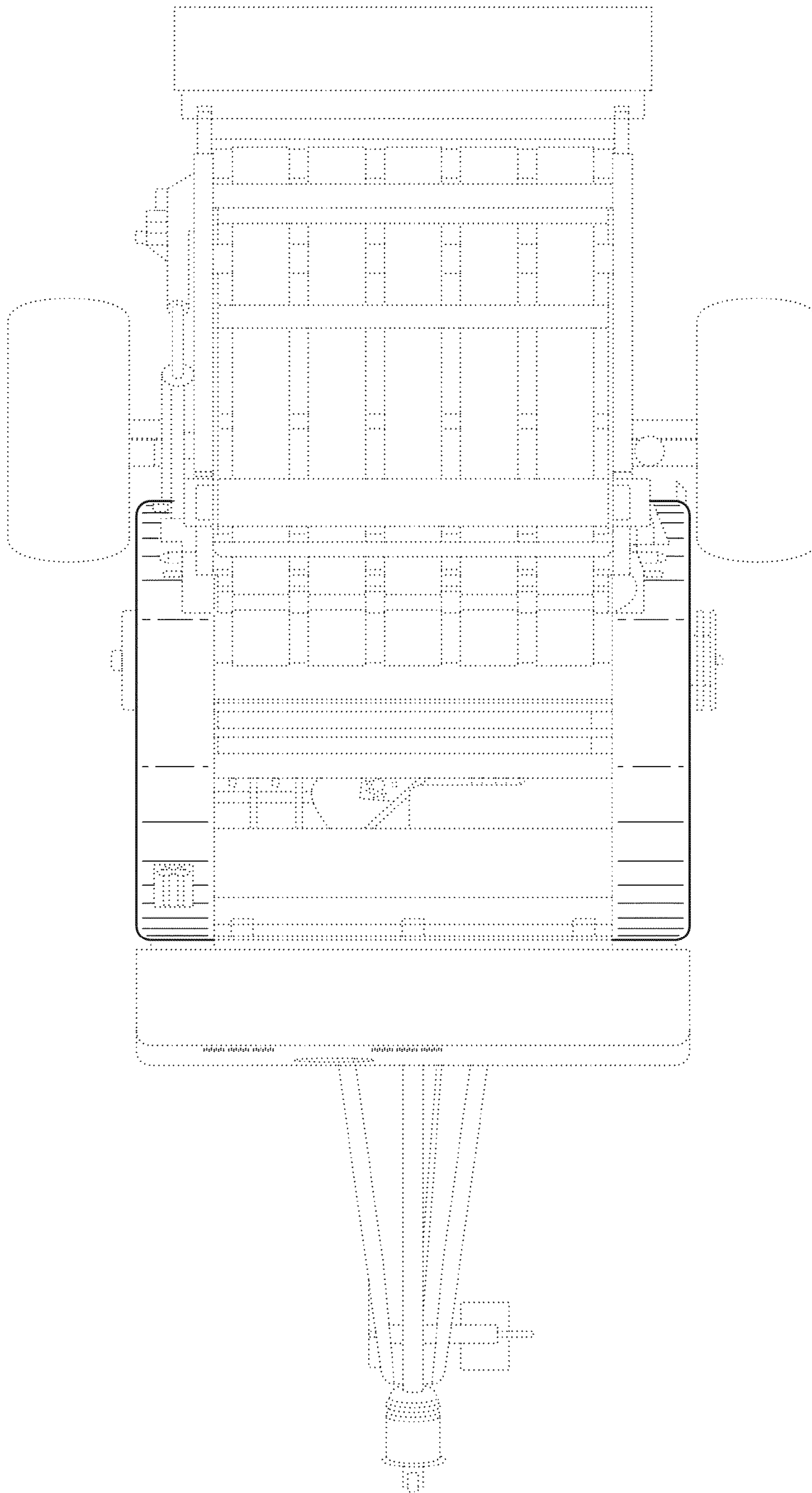


FIG. 2

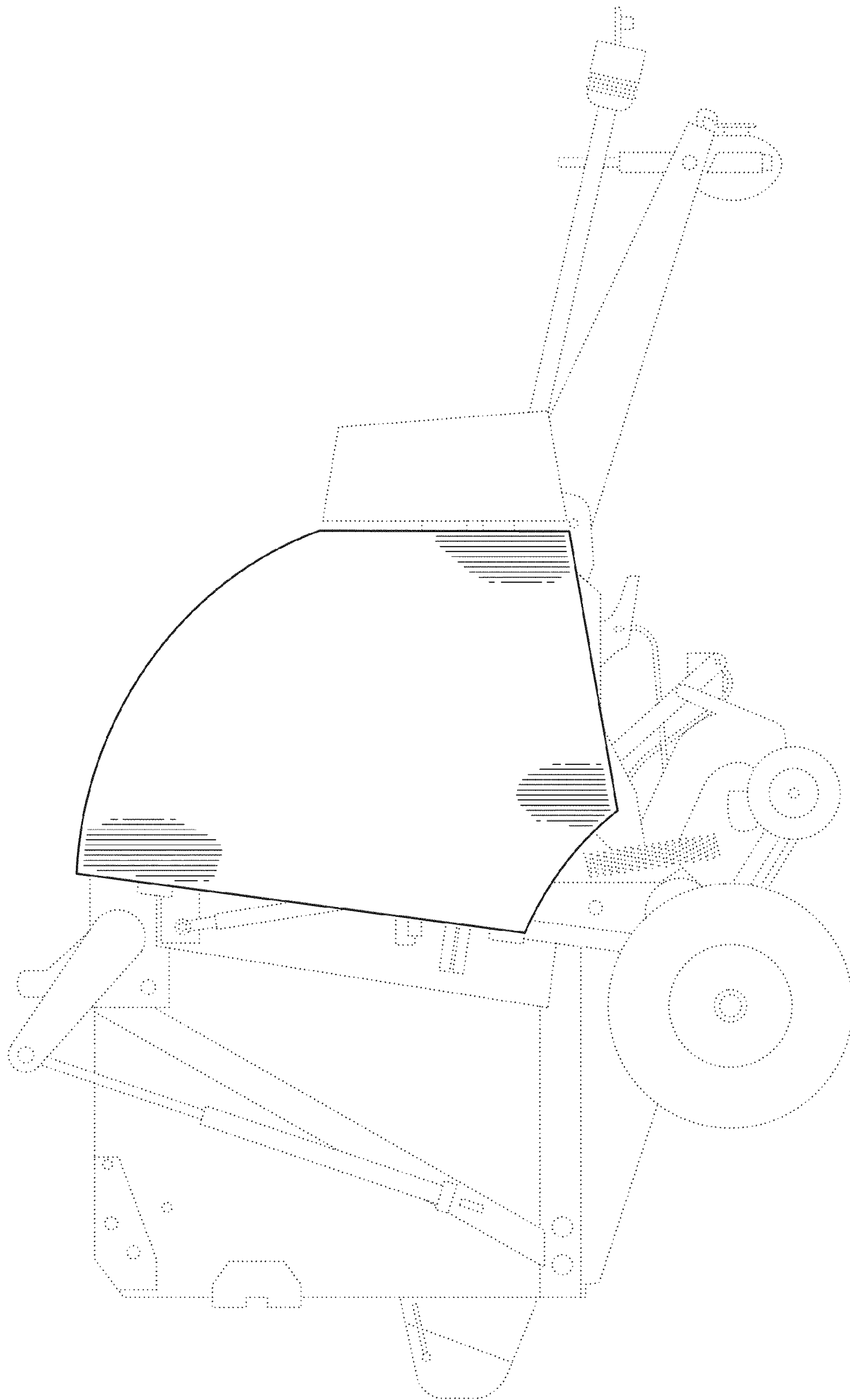


FIG. 3

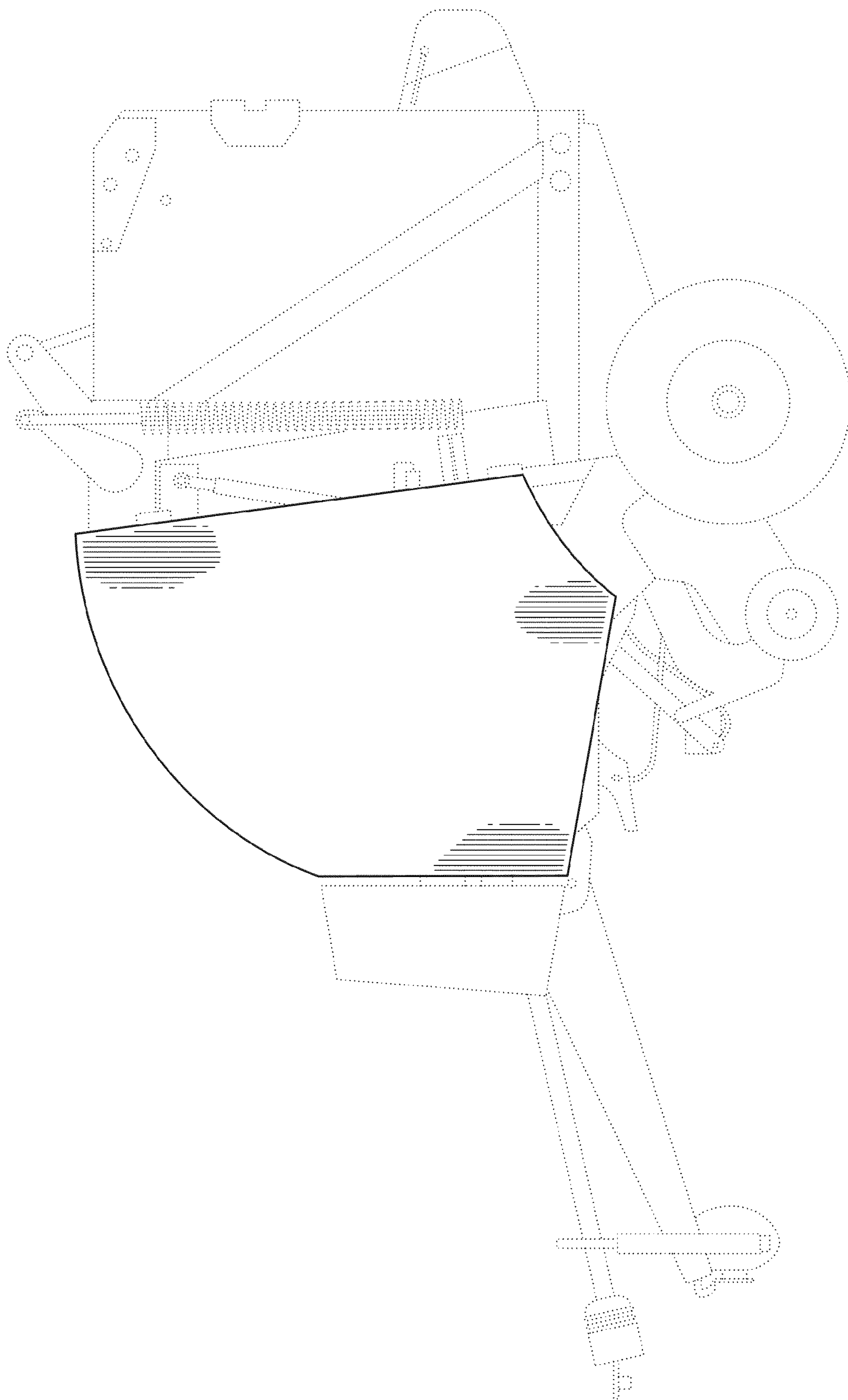
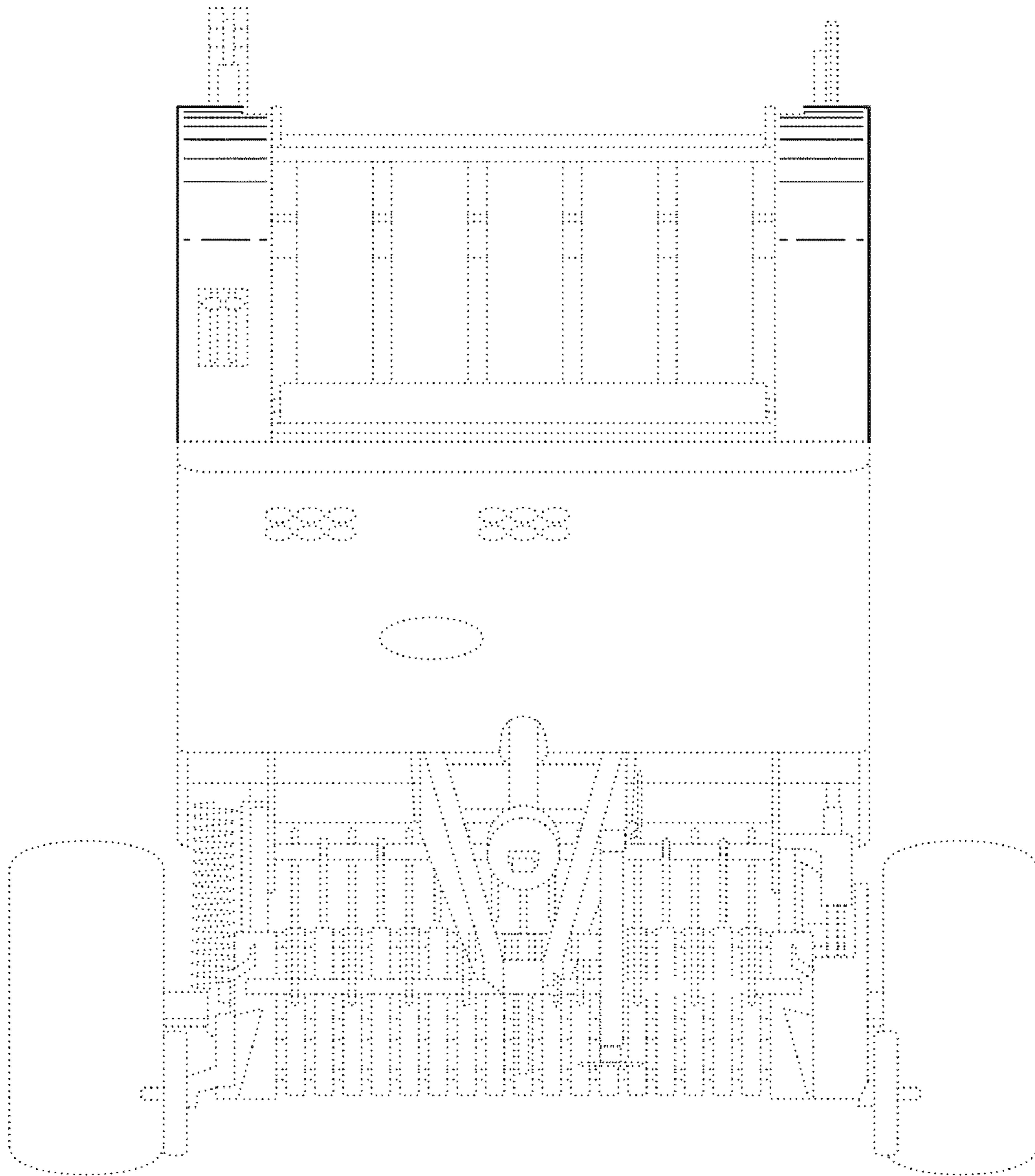
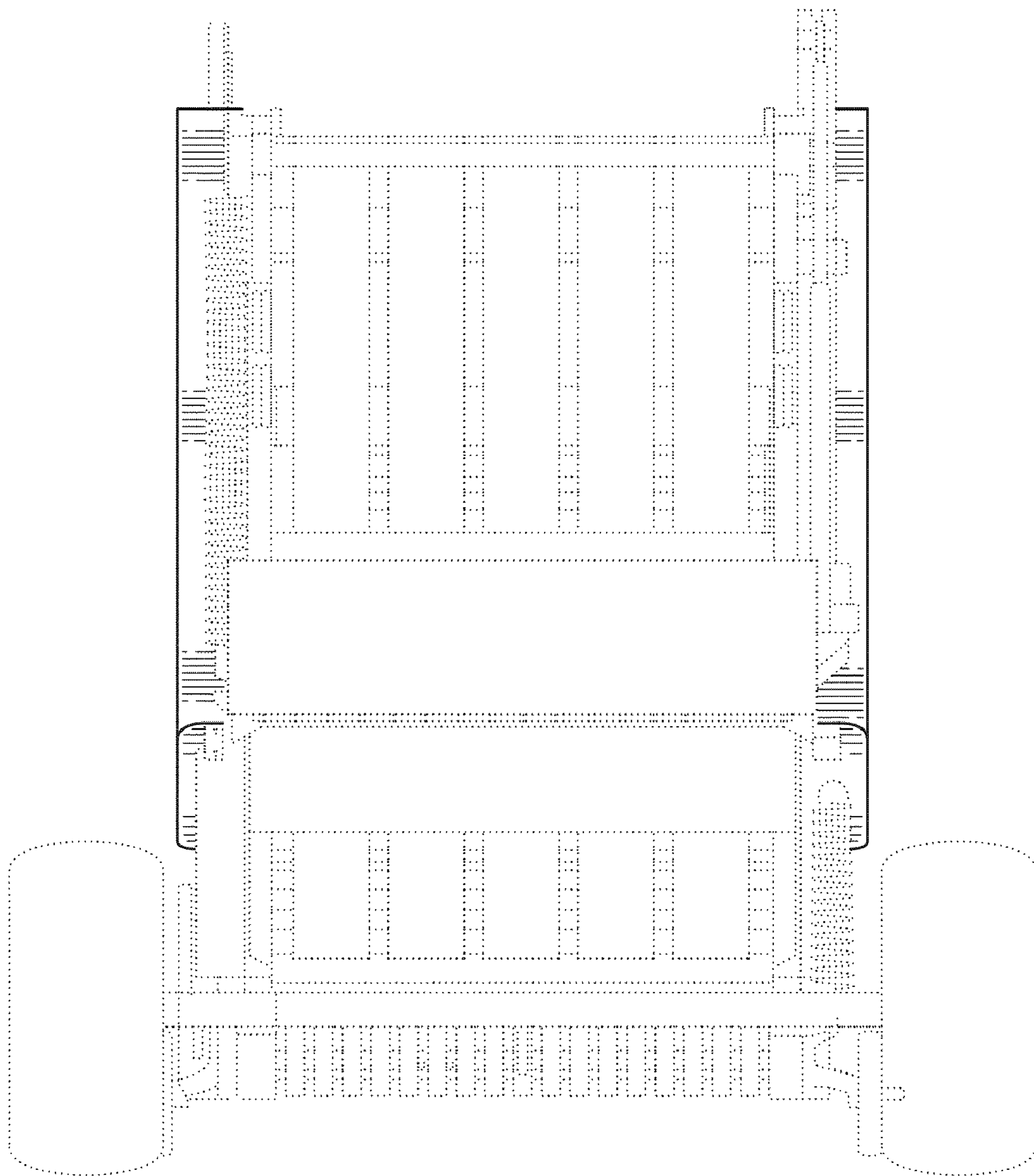


FIG. 4

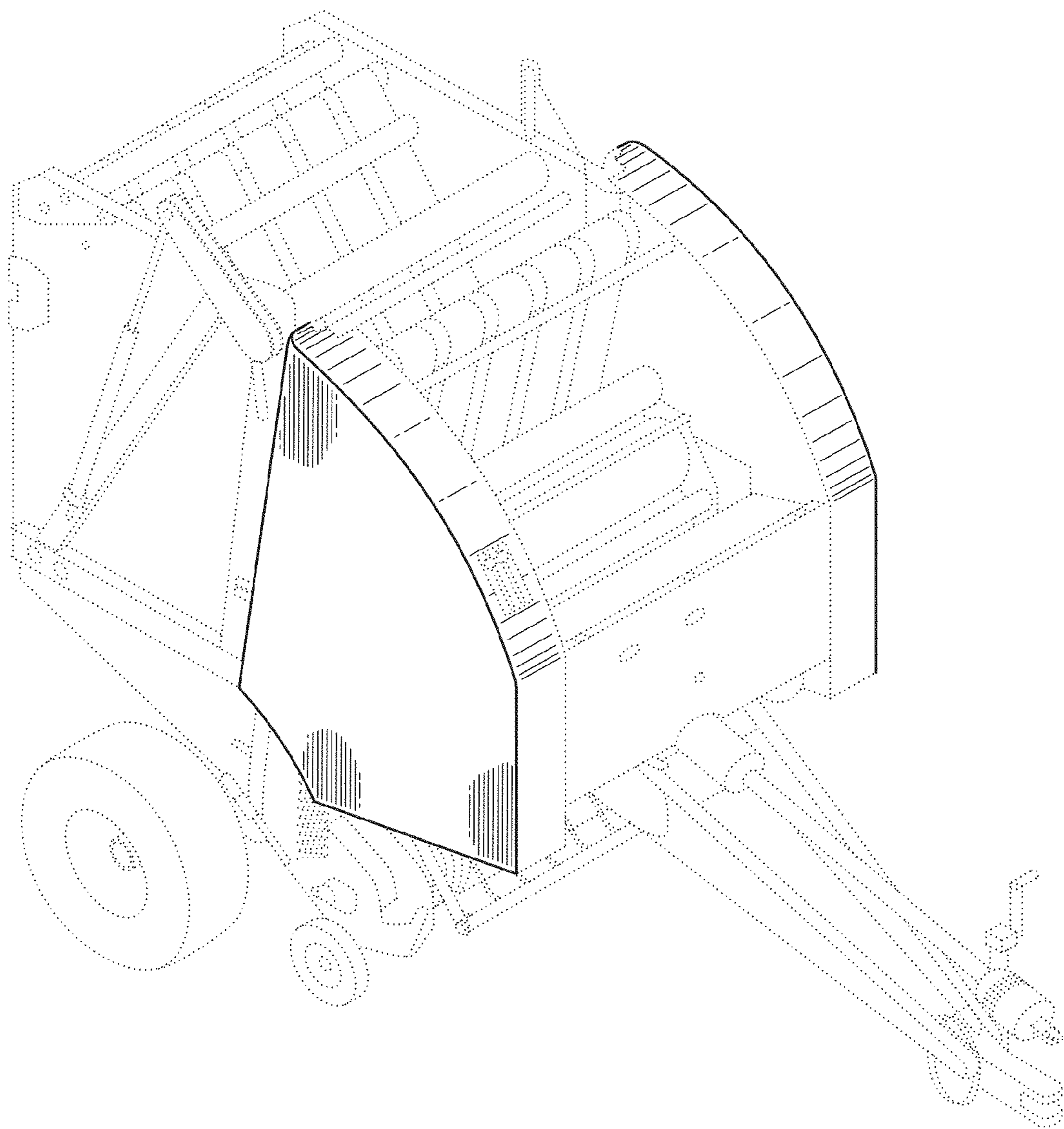




**FIG. 5**



**FIG. 6**



**FIG. 7**