



US00D626970S

(12) **United States Design Patent**  
**Moser et al.**

(10) **Patent No.:** **US D626,970 S**

(45) **Date of Patent:** **\*\* Nov. 9, 2010**

(54) **DUAL PRESSURE PORTABLE AIR COMPRESSOR**

(75) Inventors: **John Moser**, Scottsdale, AZ (US);  
**Taylor Jenkins**, Nampa, ID (US); **James Girard**, Boise, ID (US)

(73) Assignee: **Q-Industries, Inc.**, Fort Lauderdale, FL (US)

(\*\*) Term: **14 Years**

(21) Appl. No.: **29/321,787**

(22) Filed: **Jul. 23, 2008**

(51) **LOC (9) Cl.** ..... **15-02**

(52) **U.S. Cl.** ..... **D15/9**

(58) **Field of Classification Search** ..... D15/7-9;  
D23/231, 232, 225; 417/410.1, 359, 415-416,  
417/234, 321, 265, 405

See application file for complete search history.

(56) **References Cited**

**U.S. PATENT DOCUMENTS**

D293,682 S \* 1/1988 Liou ..... D15/9

D499,745 S \* 12/2004 Hsiao ..... D15/9

D590,421 S \* 4/2009 Shibukawa ..... D15/7

\* cited by examiner

*Primary Examiner*—Ralf Seifert

(74) *Attorney, Agent, or Firm*—Feldman Gale, P.A.; Michael C. Cesarano

(57) **CLAIM**

The ornamental design for a “dual pressure portable air compressor,” as shown and described.

**DESCRIPTION**

FIG. 1 is a left side perspective view of the dual pressure portable air compressor, showing the present invention.

FIG. 2 is a right side perspective view thereof;

FIG. 3 is left side elevational view thereof;

FIG. 4 is a right side elevational view thereof;

FIG. 5 is a front elevational view thereof;

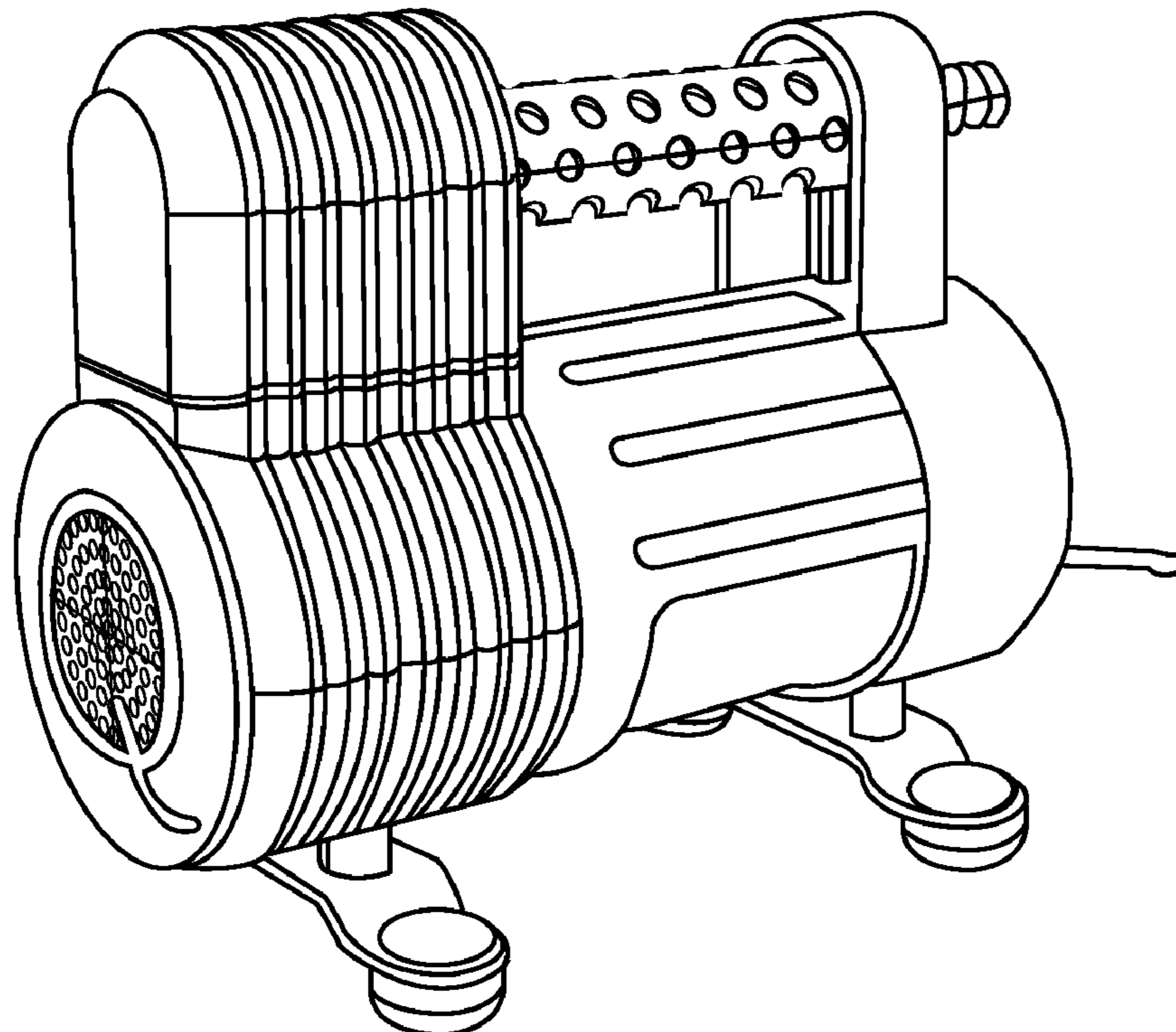
FIG. 6 is rear elevational view thereof;

FIG. 7 is a top plan view thereof; and,

FIG. 8 is a bottom plan view thereof.

The “dual pressure portable air compressor” design is characterized as a portable air compressor that delivers two air flows simultaneously at different pressures.

**1 Claim, 8 Drawing Sheets**



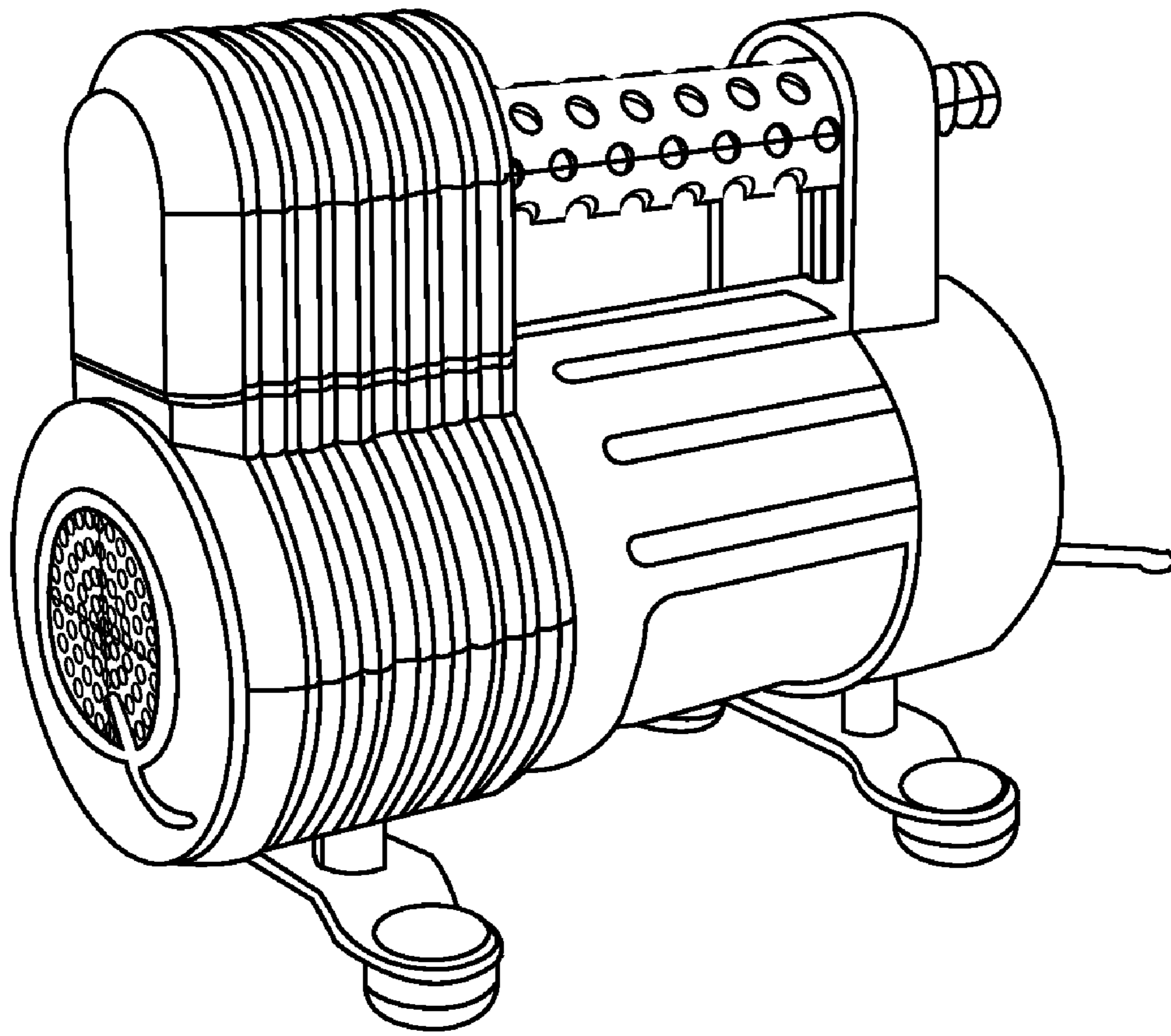


Fig. 1

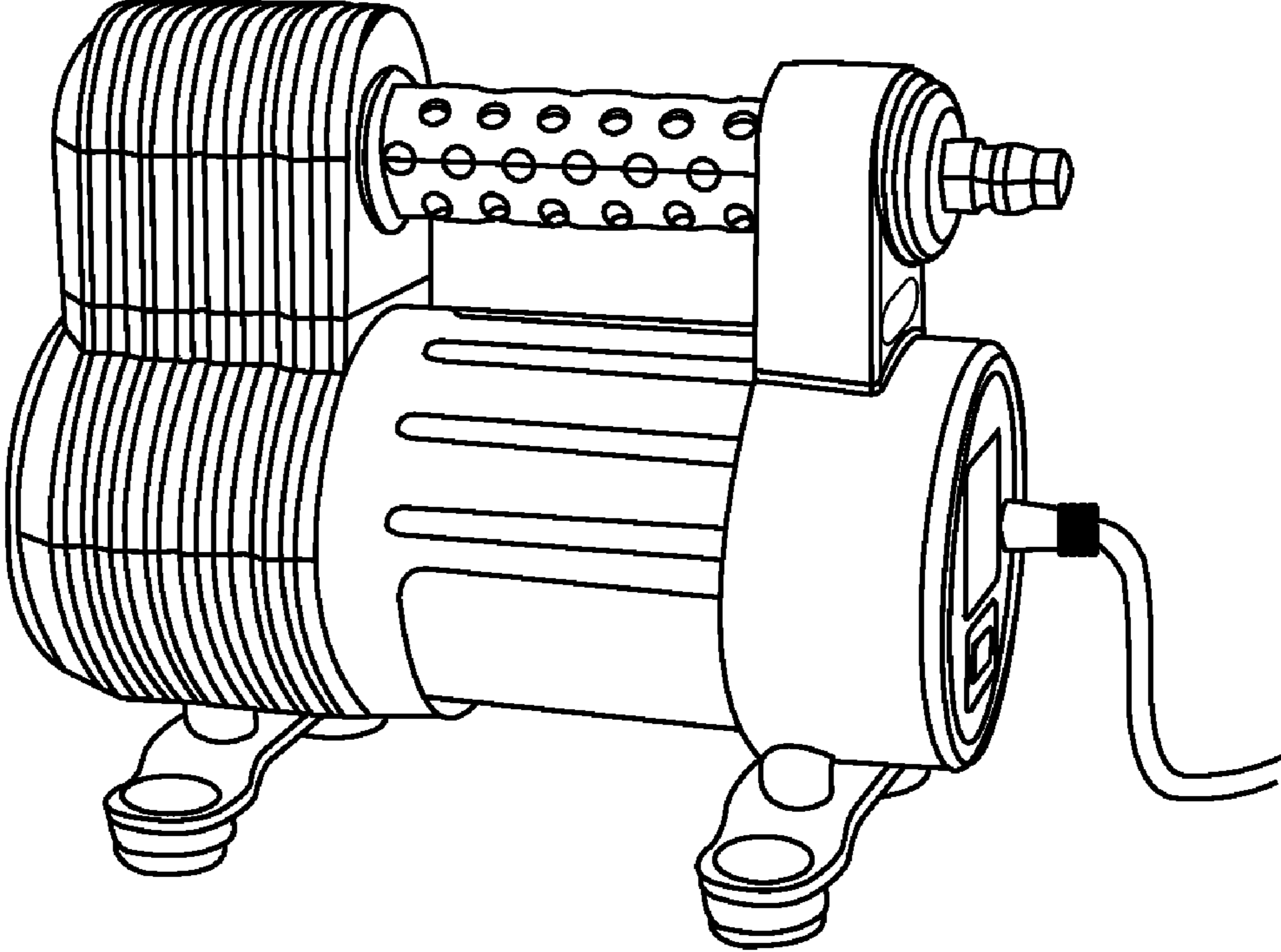


Fig. 2

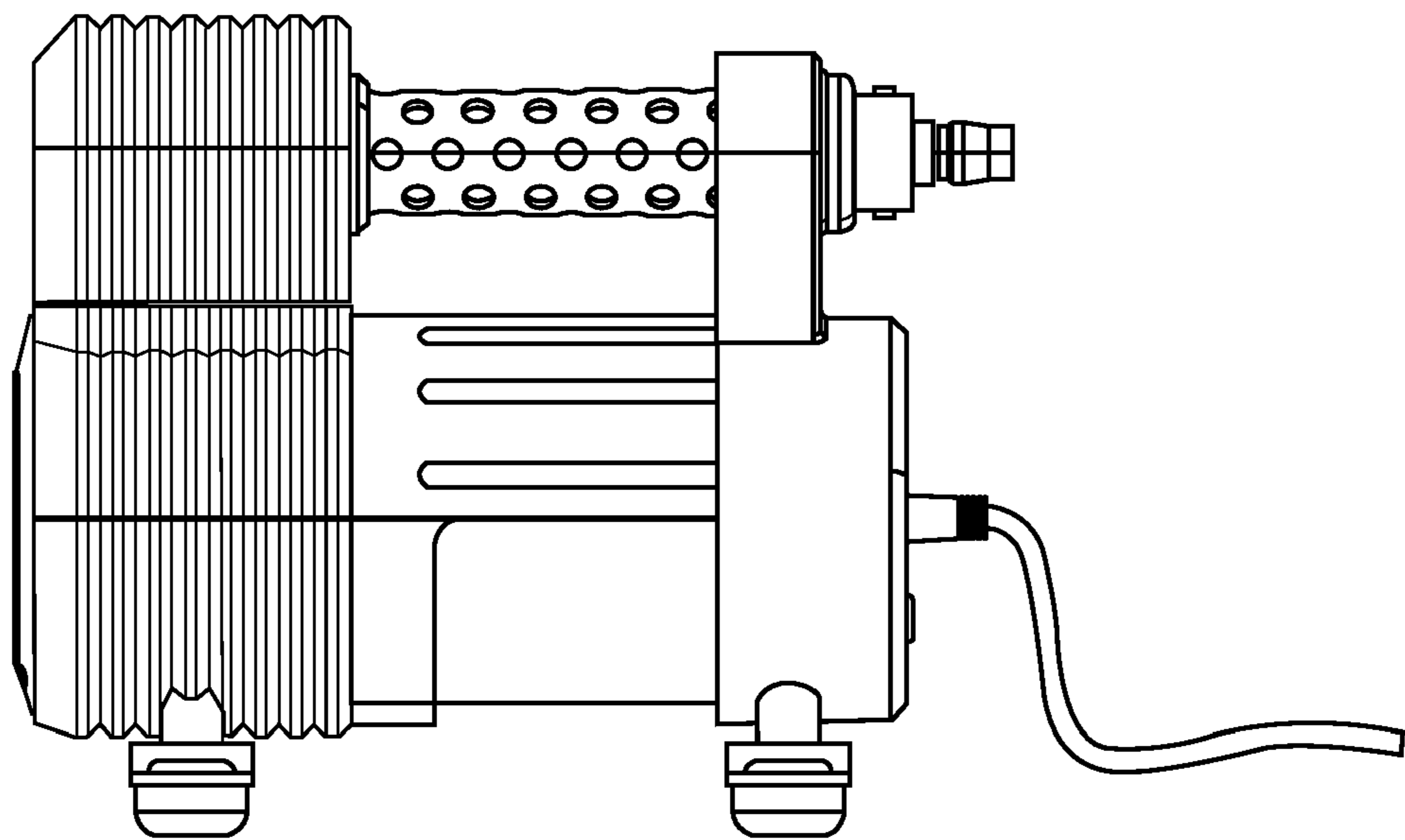


Fig. 3

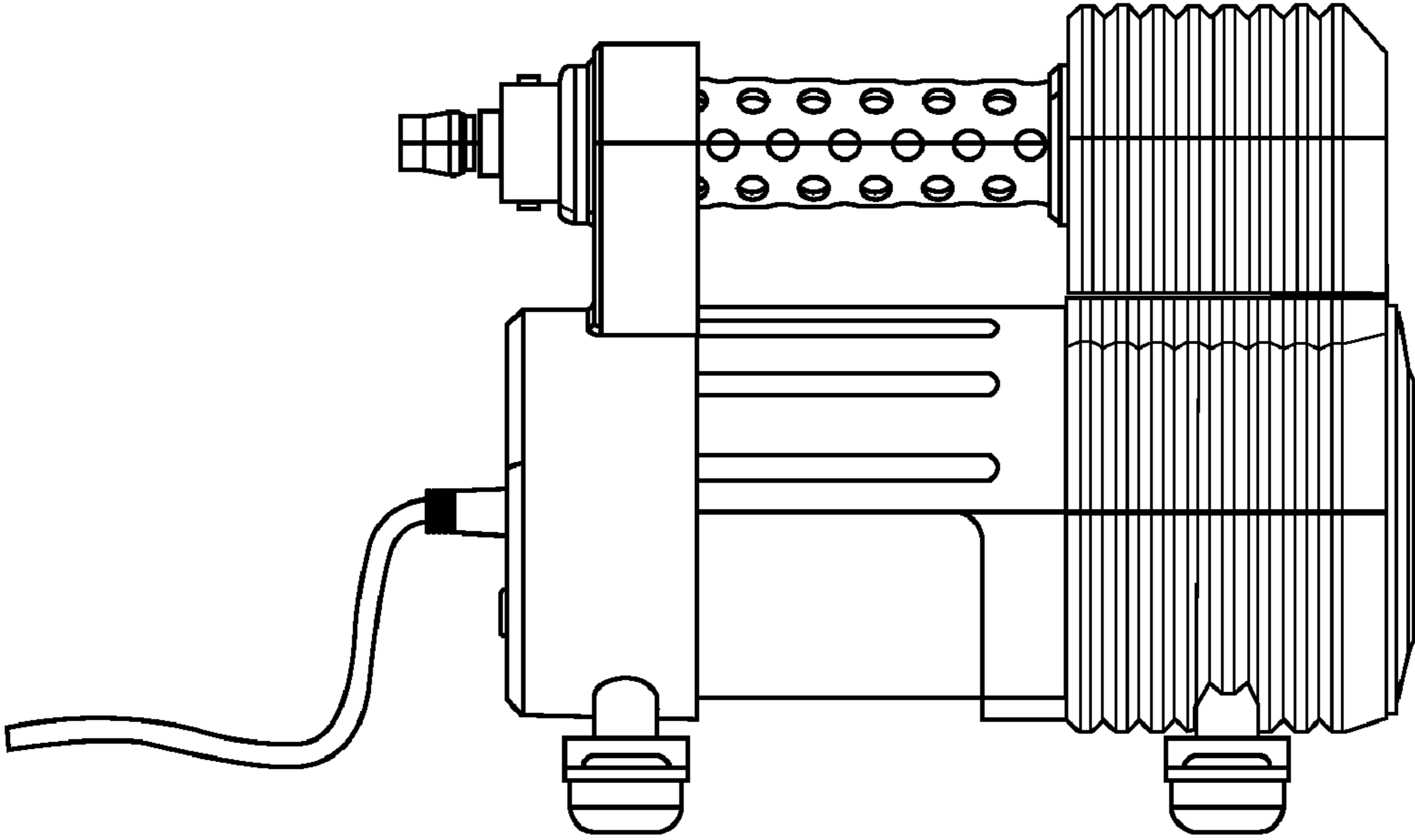


Fig. 4

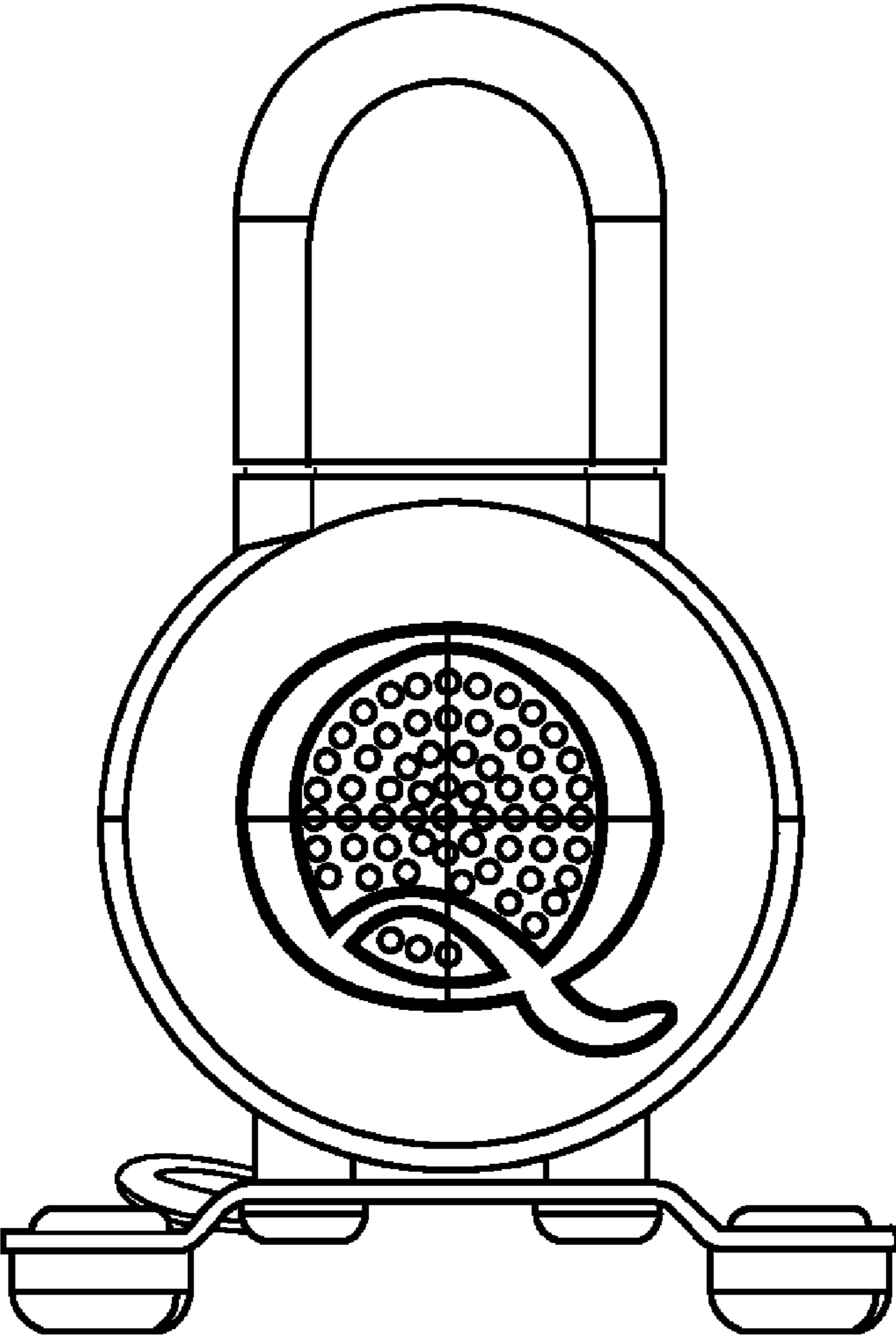


Fig. 5

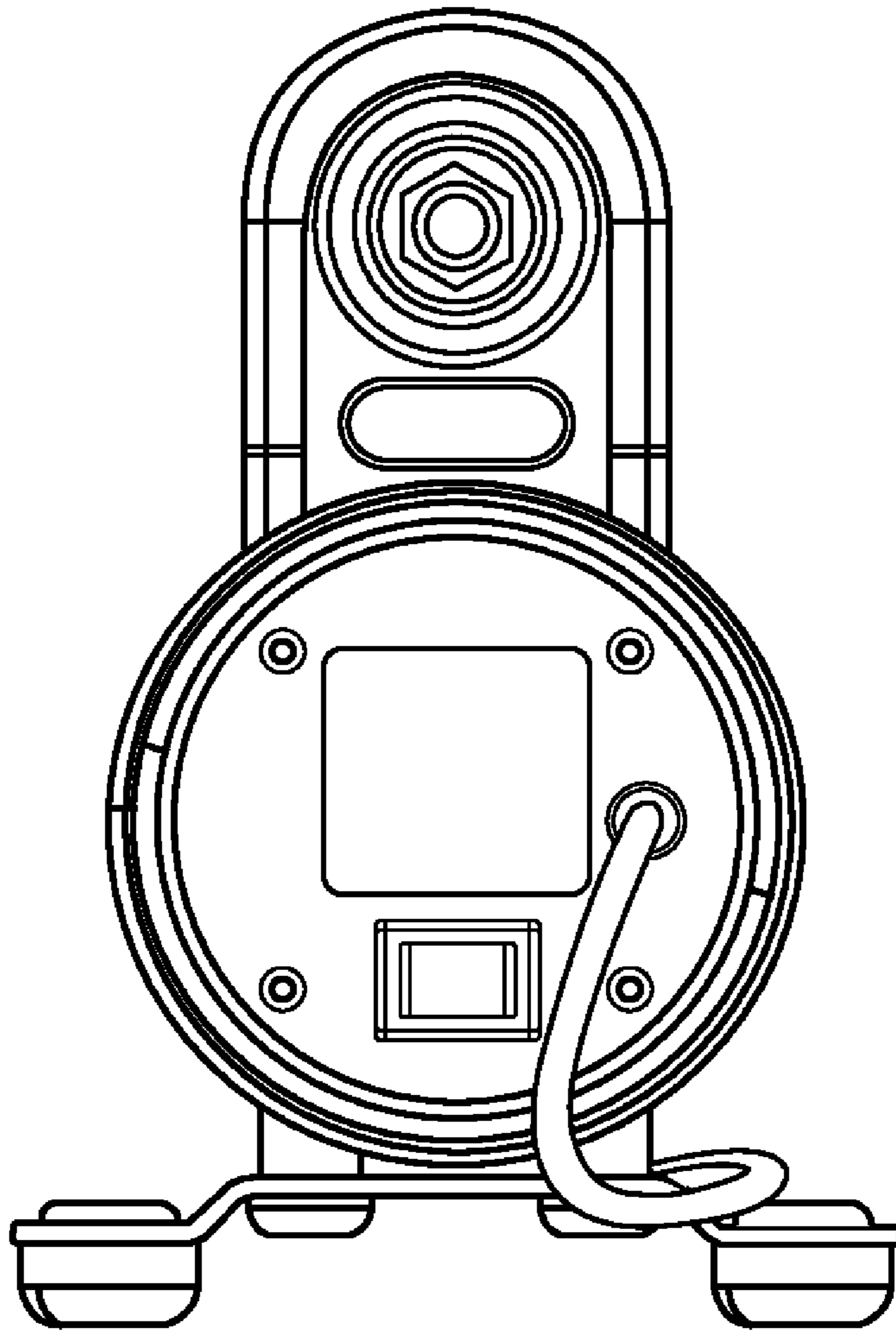


Fig. 6

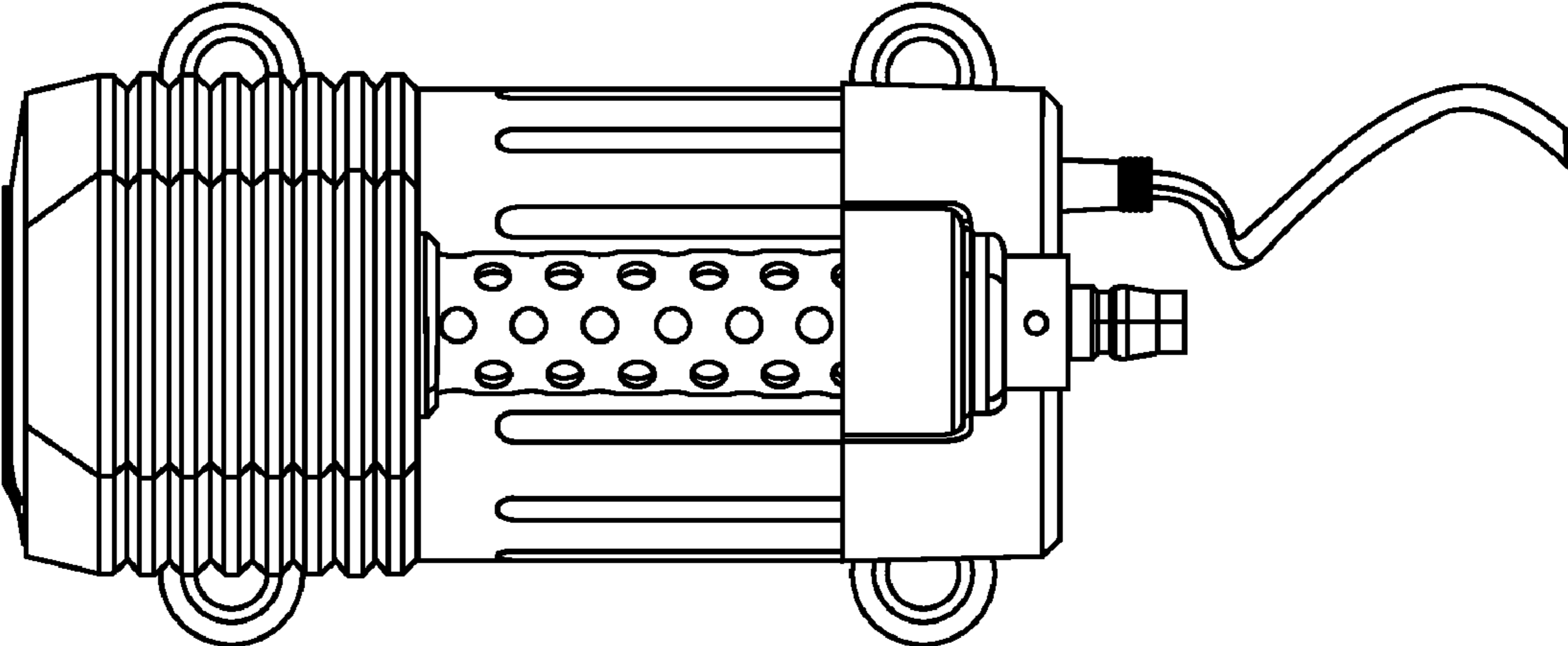


Fig. 7



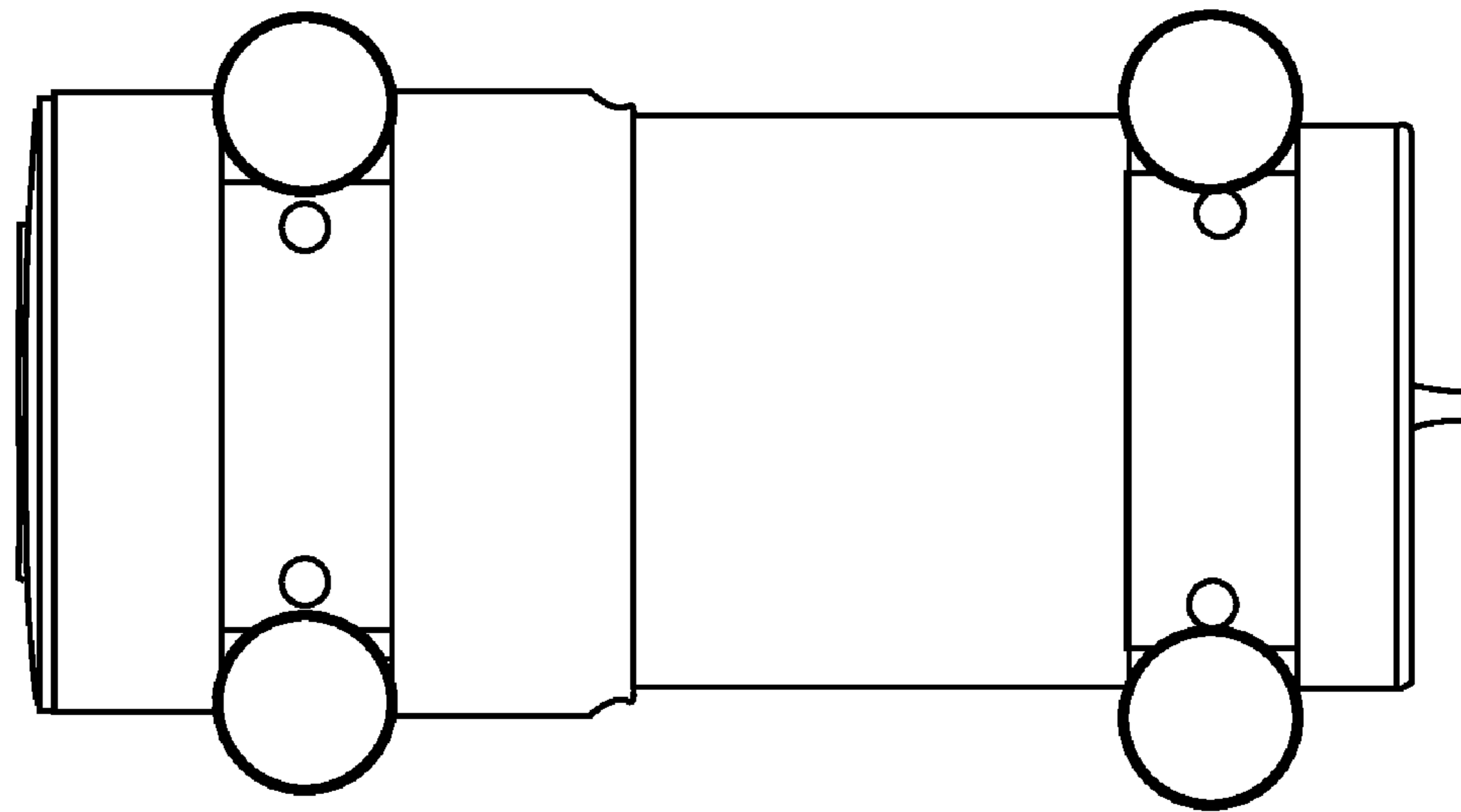


Fig. 8