



US00D626969S

(12) **United States Design Patent**
Gelardi

(10) **Patent No.:** **US D626,969 S**

(45) **Date of Patent:** **** Nov. 9, 2010**

(54) **V-ENGINE CYLINDER HEAD COVER FOR ONE BANK**

D596,648 S * 7/2009 Jing et al. D15/5
D624,092 S * 9/2010 Holmer D15/5

(75) Inventor: **Robert Gelardi**, Dearborn, MI (US)

* cited by examiner

(73) Assignee: **Ford Global Technologies, LLC**,
Dearborn, MI (US)

Primary Examiner—Cathron C. Brooks

Assistant Examiner—Maurice Stevens

(74) *Attorney, Agent, or Firm*—Julia Voutyras; Alleman Hall
McCoy Russell & Tuttle LLP

(**) Term: **14 Years**

(21) Appl. No.: **29/357,448**

(57) **CLAIM**

(22) Filed: **Mar. 12, 2010**

The ornamental design for a V-engine cylinder head cover for one bank, as shown.

(51) **LOC (9) Cl.** **15-01**

(52) **U.S. Cl.** **D15/5**

(58) **Field of Classification Search** D15/1,
D15/3-5, 14-17, 31, 149; D12/163-166;
D13/112, 184, 199; 123/195 C, 198 E; 56/320.1,
56/320.2; 180/89.1, 89.12

See application file for complete search history.

DESCRIPTION

FIG. 1 is a top view of an ornamental design for a V-engine cylinder head cover for one bank, according to the invention.

FIG. 2 is a bottom view of the cylinder head cover of FIG. 1.

FIG. 3 is a front view of the cylinder head cover of FIG. 1.

FIG. 4 is a rear view of the cylinder head cover of FIG. 1.

FIG. 5 is a left view of the cylinder head cover of FIG. 1.

FIG. 6 is a right view of the cylinder head cover of FIG. 1.

FIG. 7 is a first perspective view of the cylinder head cover of FIG. 1; and,

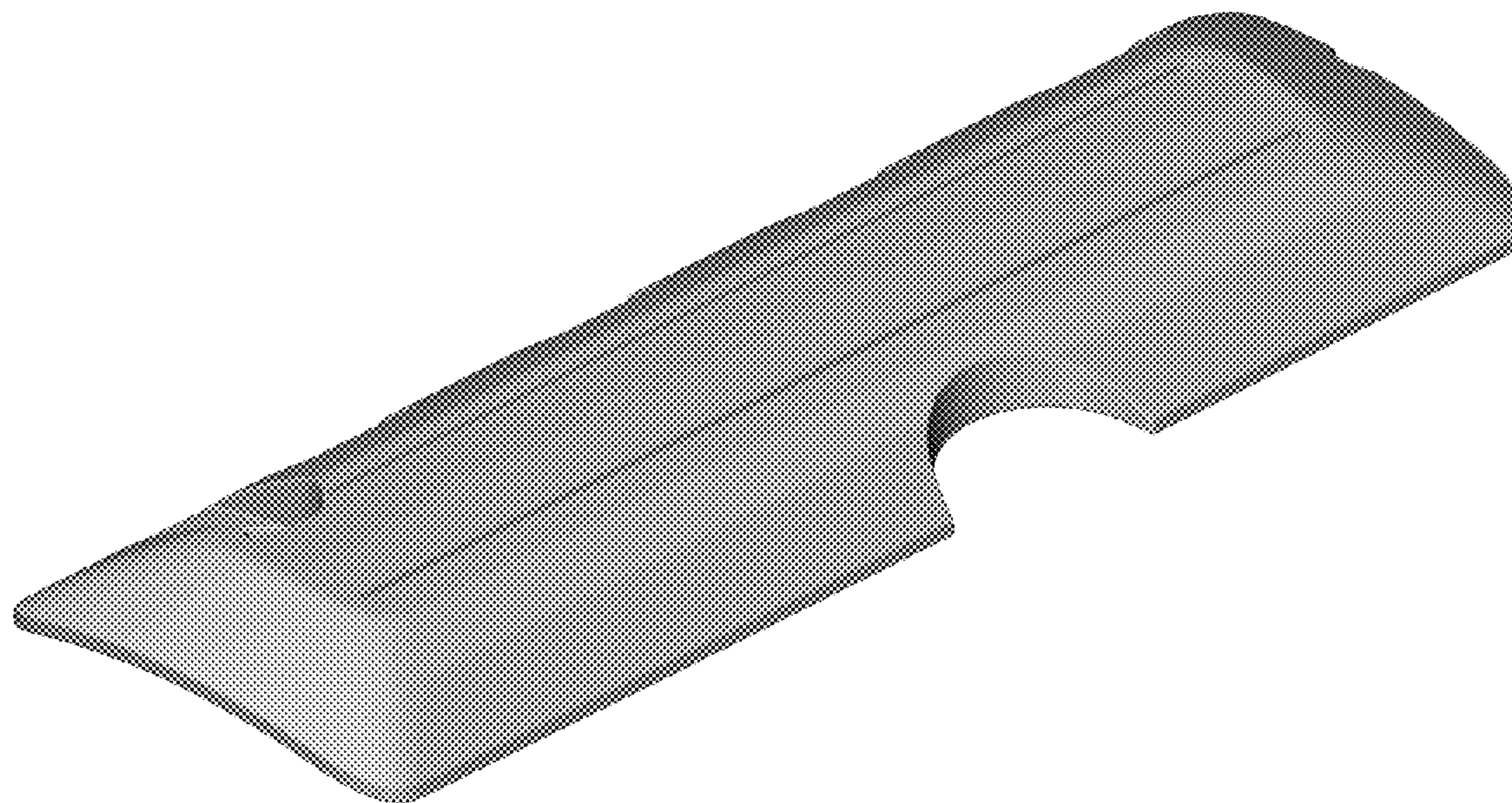
FIG. 8 is a second perspective view of the cylinder head cover of FIG. 1.

(56) **References Cited**

U.S. PATENT DOCUMENTS

D396,478 S * 7/1998 Hubbach D15/5
D490,818 S * 6/2004 Hieke D15/5
D526,333 S * 8/2006 Mizutani et al. D15/5
D528,130 S * 9/2006 Mizutani D15/5
D534,186 S * 12/2006 Tsunoda D15/5
7,275,513 B2 * 10/2007 Nonogaki et al. 123/195 C
7,389,760 B2 * 6/2008 Fogolini 123/195 C

1 Claim, 8 Drawing Sheets



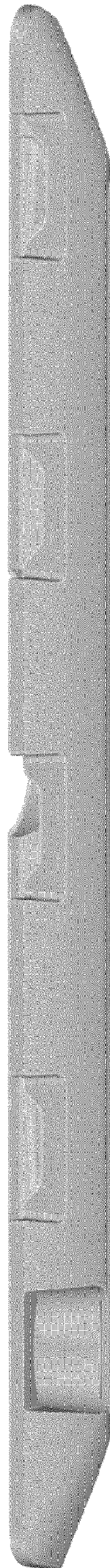


Figure 1

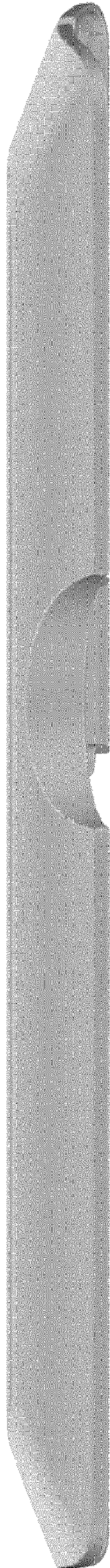


Figure 2

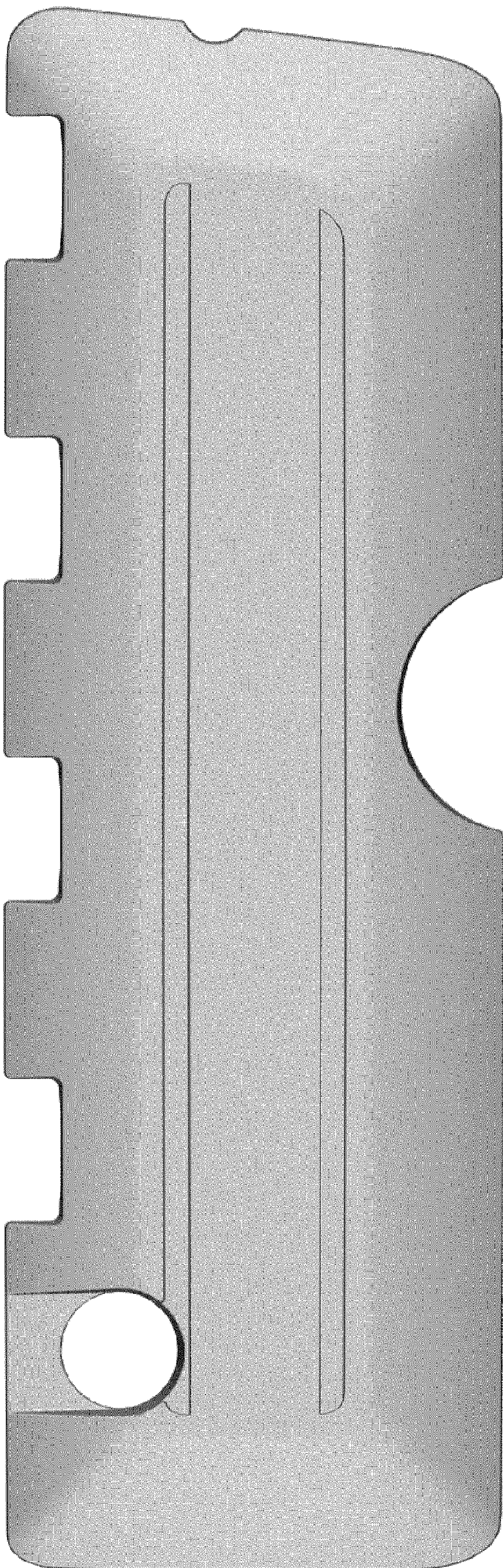


Figure 3

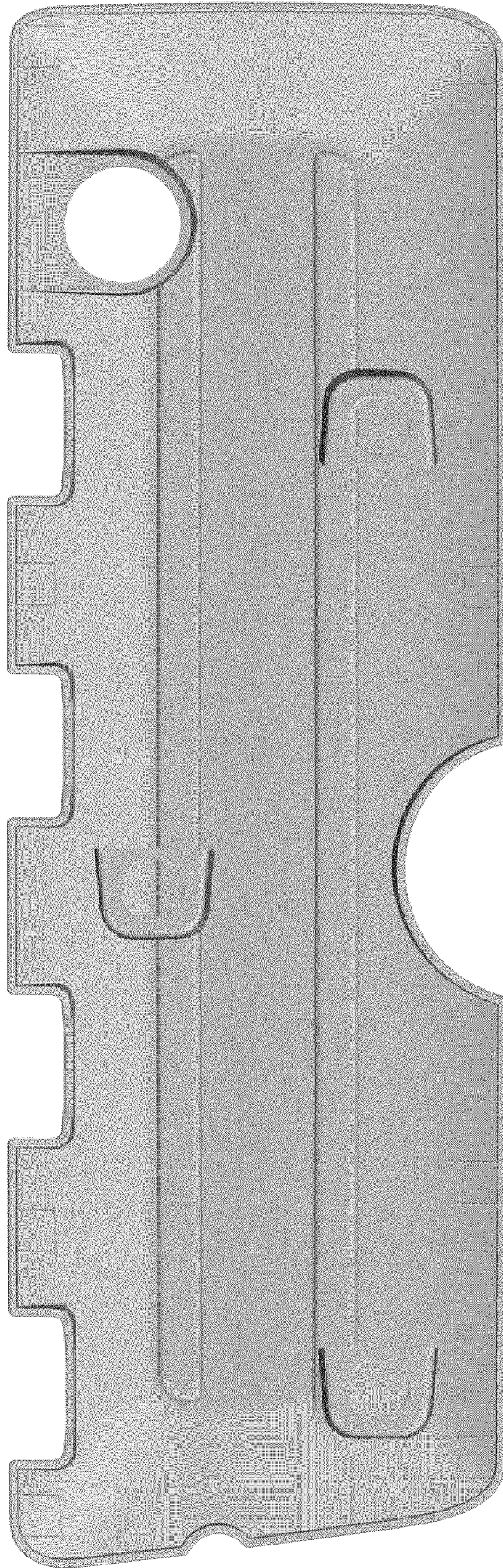
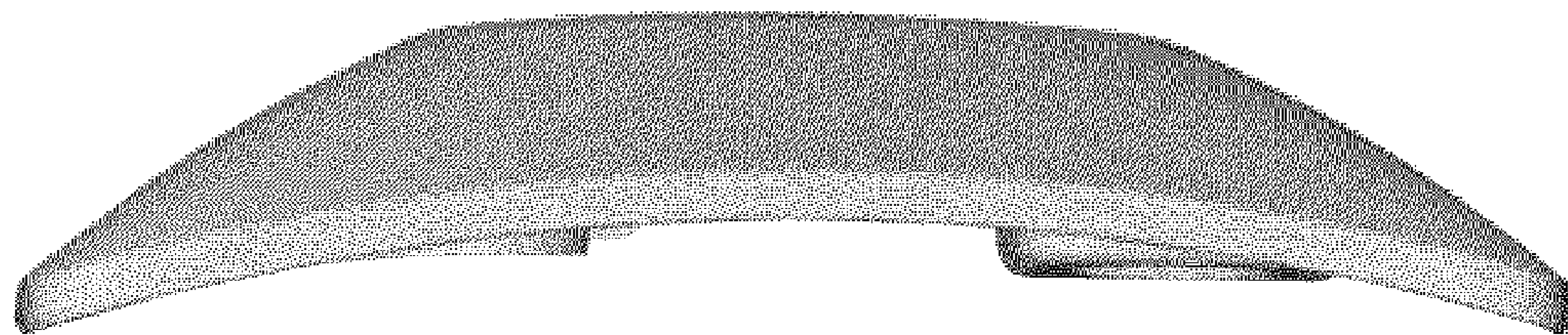


Figure 4

Figure 5



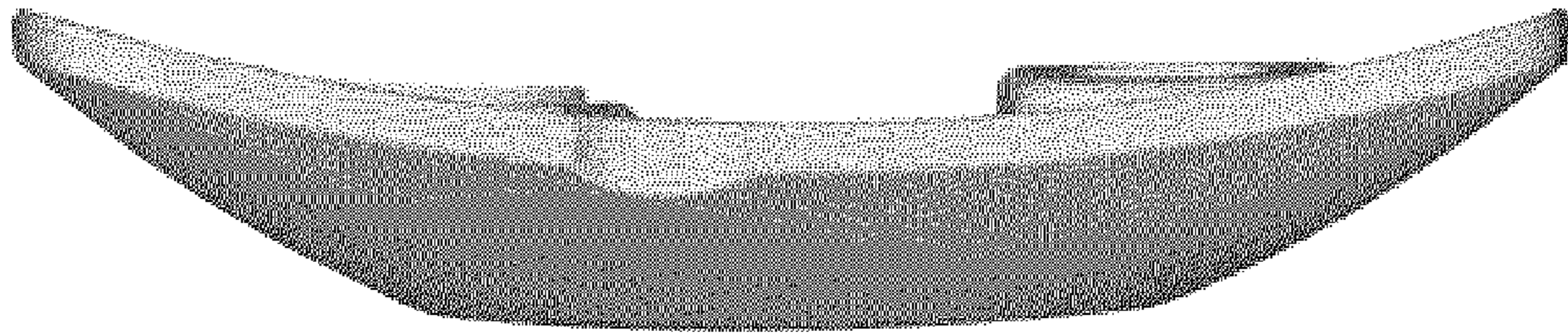


Figure 6



Figure 7

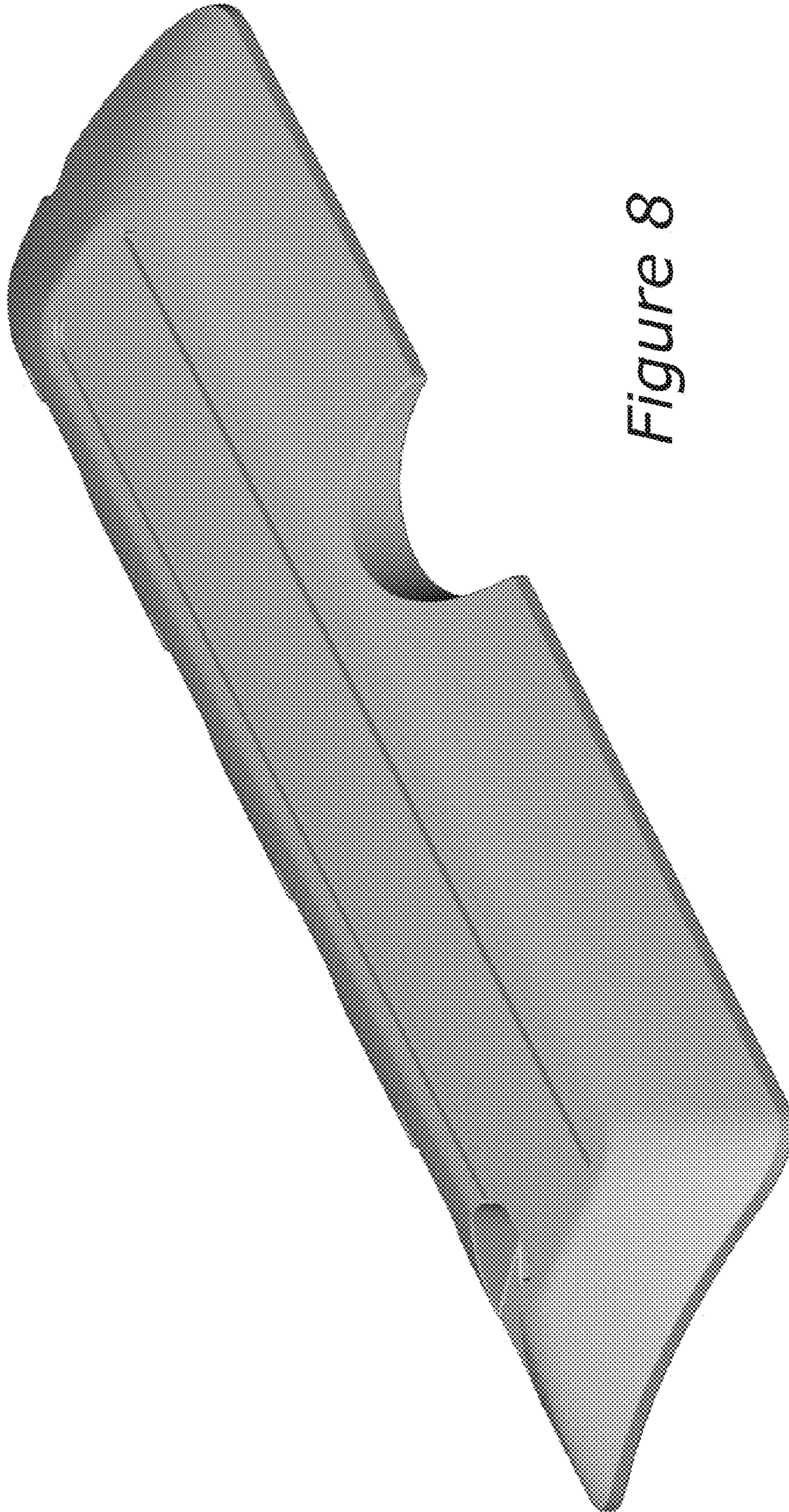


Figure 8