

US00D626968S

(12) **United States Design Patent**
Iwata et al.

(10) **Patent No.:** **US D626,968 S**

(45) **Date of Patent:** **** Nov. 9, 2010**

(54) **BOOSTER REGULATOR**

(75) Inventors: **Tomoyuki Iwata**, Tsukubamirai (JP);
Ryosuke Sato, Tsukubamirai (JP)

(73) Assignee: **SMC Corporation**, Chiyoda-ku, Tokyo
(JP)

(**) Term: **14 Years**

(21) Appl. No.: **29/341,964**

(22) Filed: **Aug. 14, 2009**

(30) **Foreign Application Priority Data**

Mar. 19, 2009 (JP) 2009-006223

(51) **LOC (9) Cl.** **15-01**

(52) **U.S. Cl.** **D15/5**

(58) **Field of Classification Search** D15/1,
D15/2, 3, 5, 6, 14, 17, 149, 7, 9, 138, 199;
123/22, 41.34, 51 A, 606 R, 52.1, 50 A, 50 B,
123/54.1, 54.2, 54.4, 54.5, 65 R, 195 R, 195 HC,
123/657, 311, 41.67, 198 E, 572-574; 901/16,
901/17

See application file for complete search history.

(56) **References Cited**

U.S. PATENT DOCUMENTS

D289,401 S * 4/1987 Yew et al. D15/5
D291,807 S * 9/1987 Yew et al. D15/5
D308,207 S * 5/1990 Burke D15/7
D384,674 S * 10/1997 Grolle et al. D15/7
D393,647 S * 4/1998 Garrard et al. D15/5
6,997,059 B2 * 2/2006 Ernsberger et al. 73/753
D520,025 S * 5/2006 Chu D15/9
D572,272 S * 7/2008 Igarashi et al. D15/7
D592,680 S * 5/2009 Ogawa D15/5

D595,739 S * 7/2009 Ogawa D15/5
D596,200 S * 7/2009 Ogawa D15/5
D596,201 S * 7/2009 Ogawa D15/5
2006/0254652 A1 * 11/2006 Davidson 137/505.25

* cited by examiner

Primary Examiner—T. Chase Nelson

Assistant Examiner—Ania K Dworzecka

(74) *Attorney, Agent, or Firm*—Yokoi & Co., U.S.A., Inc.;
Toshiyuki Yokoi

(57) **CLAIM**

The ornamental design for a booster regulator, as shown and described.

DESCRIPTION

FIG. 1 shows a front elevation view of a booster regulator showing my new design;

FIG. 2 shows a rear elevation view thereof;

FIG. 3 shows a right side elevation view thereof;

FIG. 4 shows a left side elevation view thereof;

FIG. 5 shows a top plan view thereof;

FIG. 6 shows a bottom plan view thereof;

FIG. 7 shows a top, front and right side perspective view thereof;

FIG. 8 shows a bottom, rear and left side perspective view thereof; and,

FIG. 9 shows the booster regulator and a tank with pressure gauges.

The portions of the design shown in broken lines in FIG. 1 and FIG. 9 are for the purpose of illustrating the environment only and form no part of the claimed design.

1 Claim, 5 Drawing Sheets

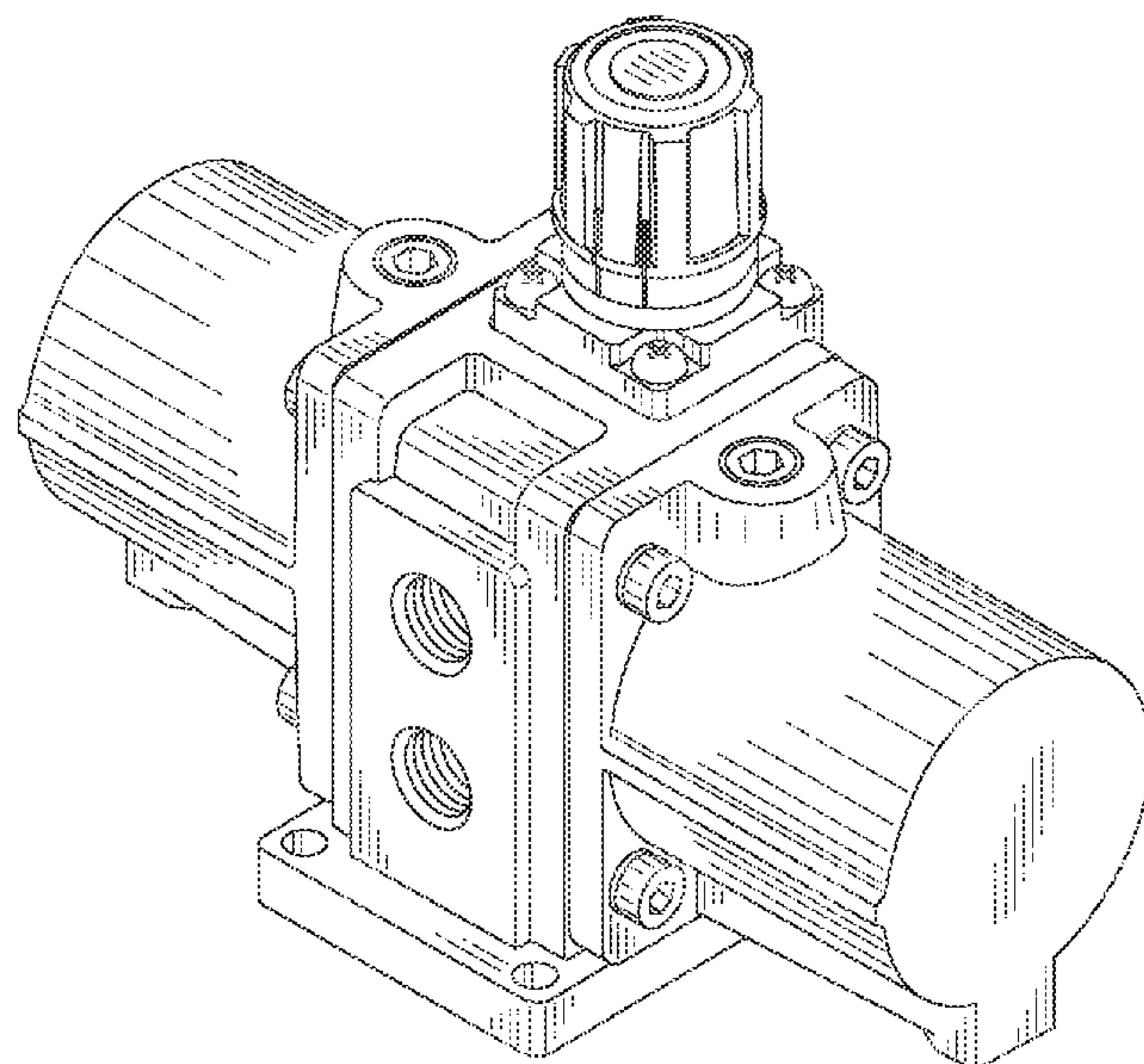


FIG. 1

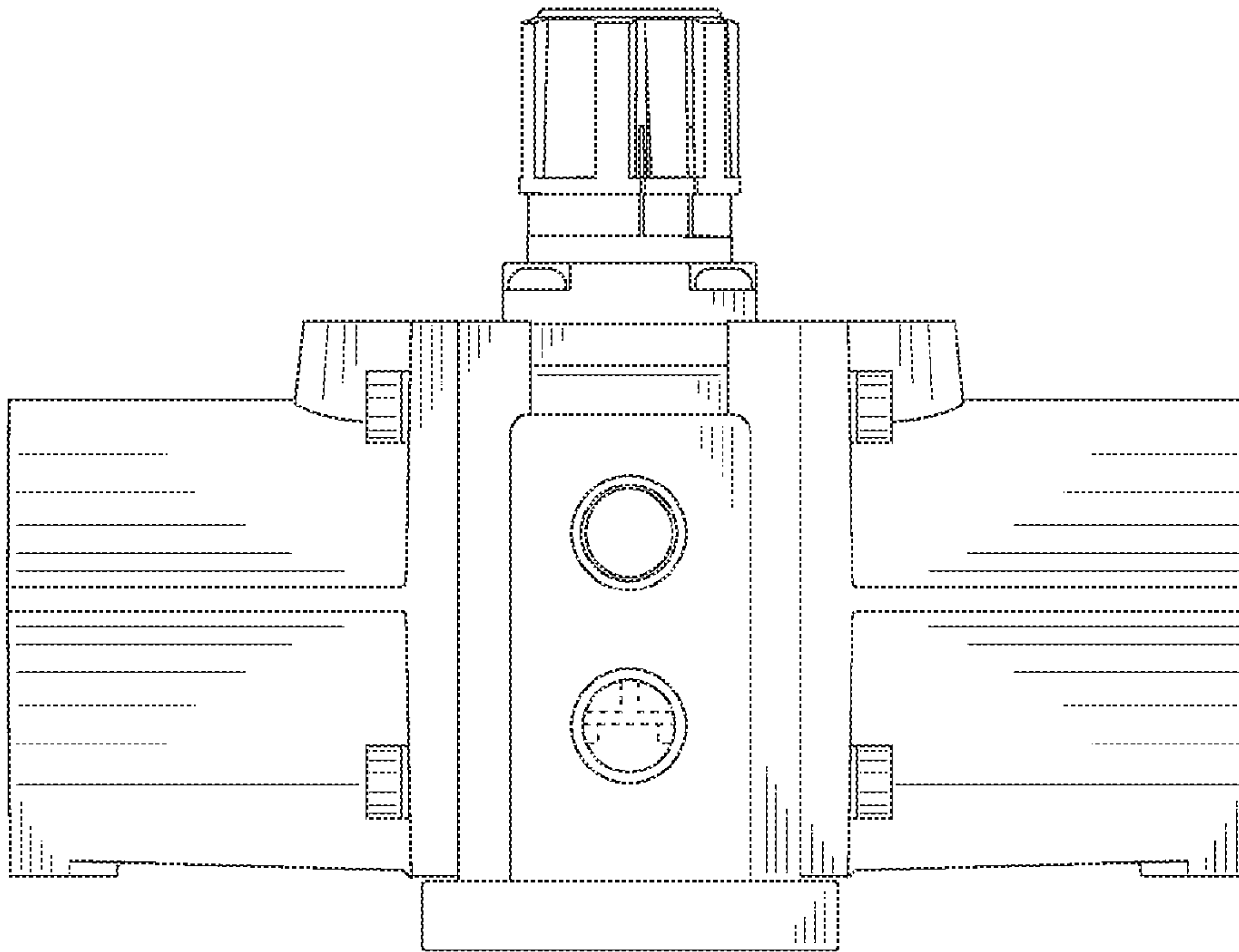


FIG. 2

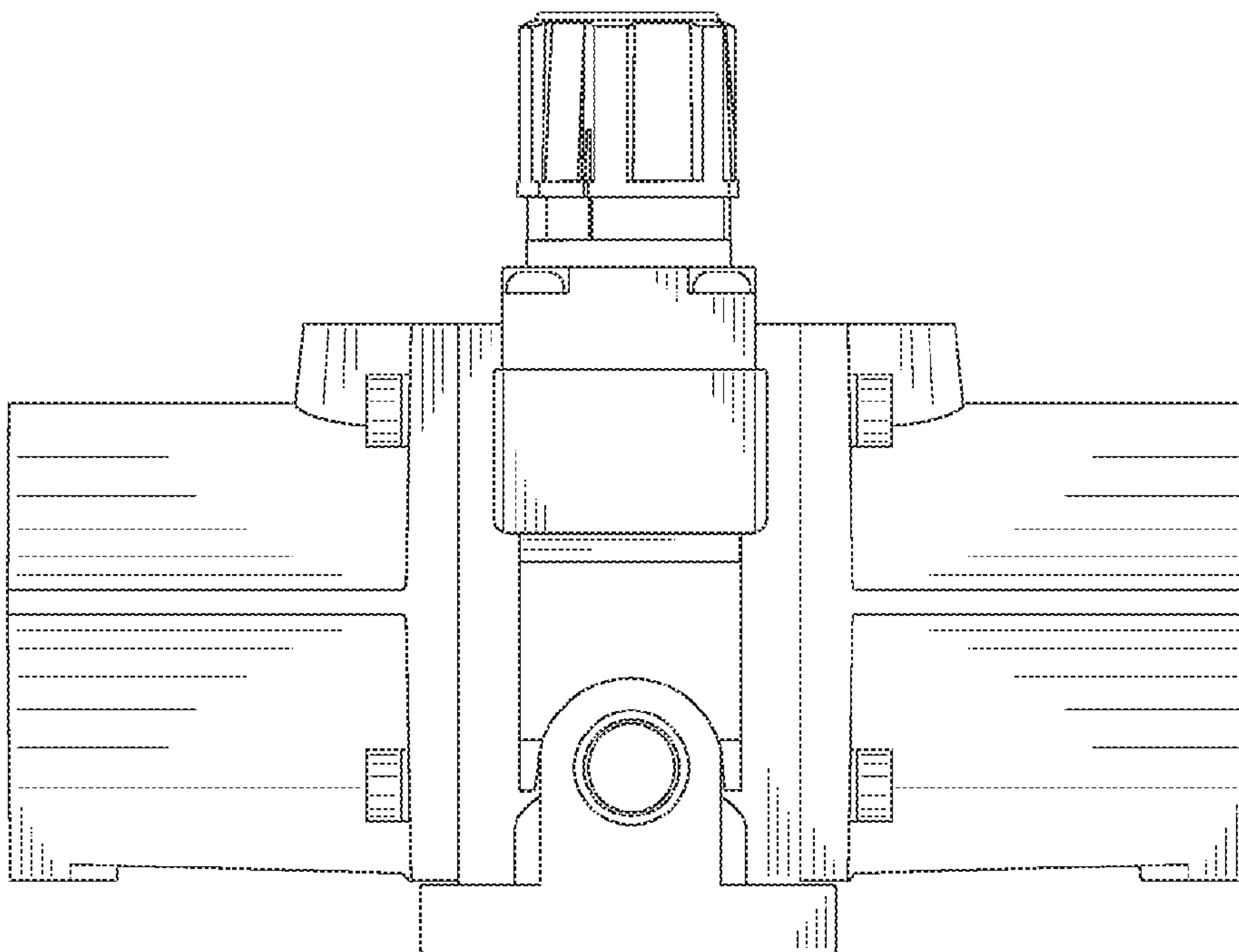


FIG. 3

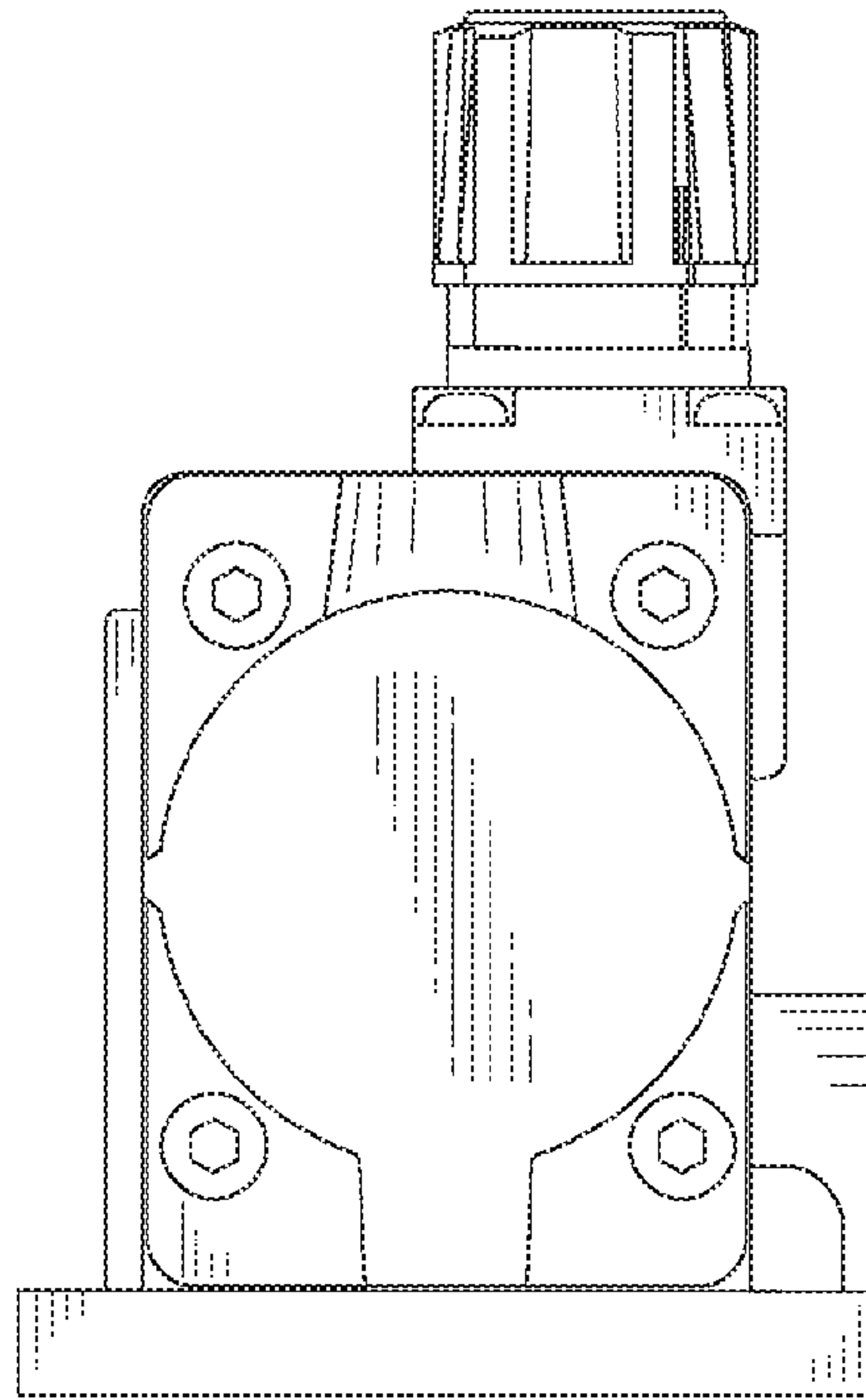


FIG. 4

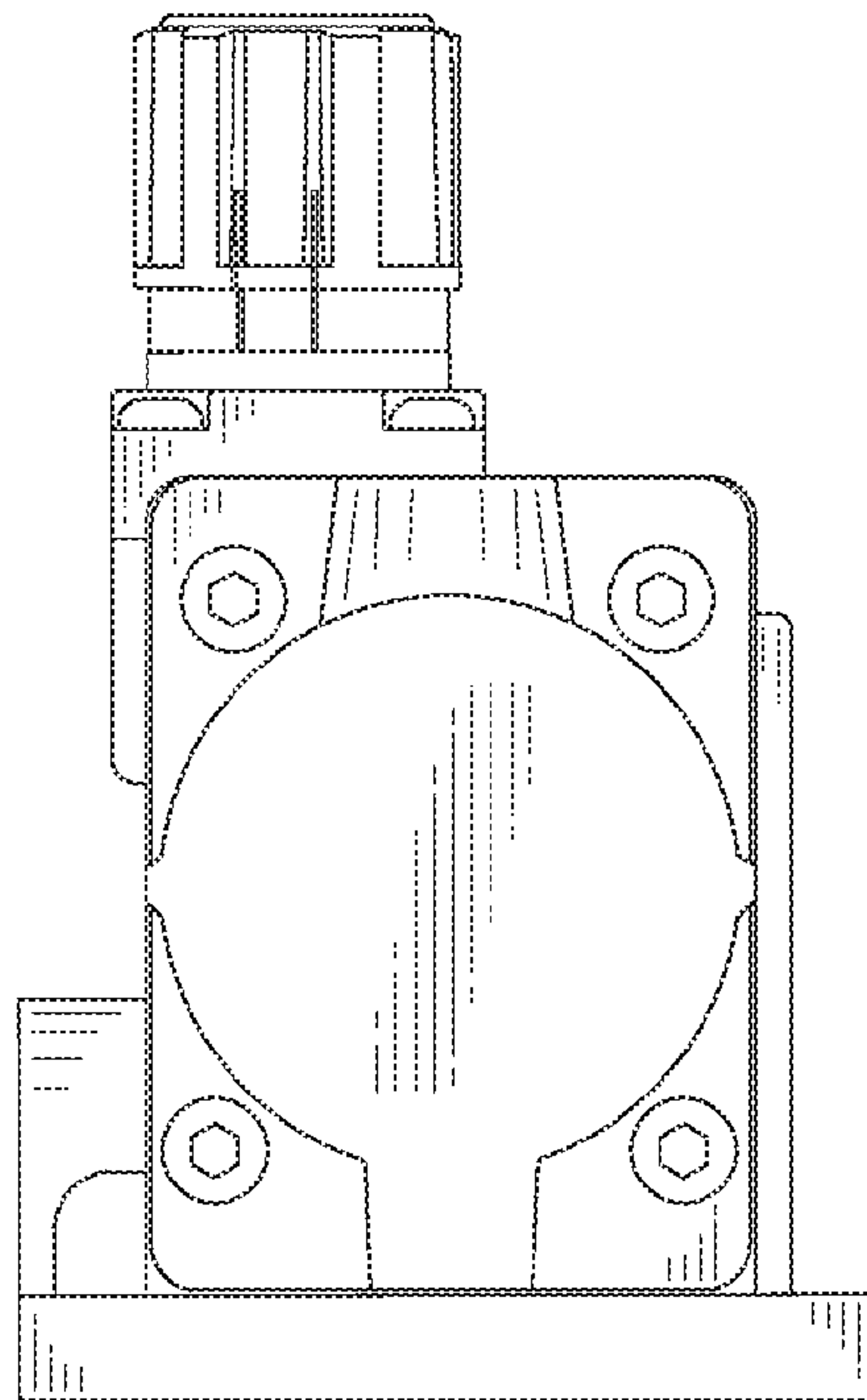


FIG. 5

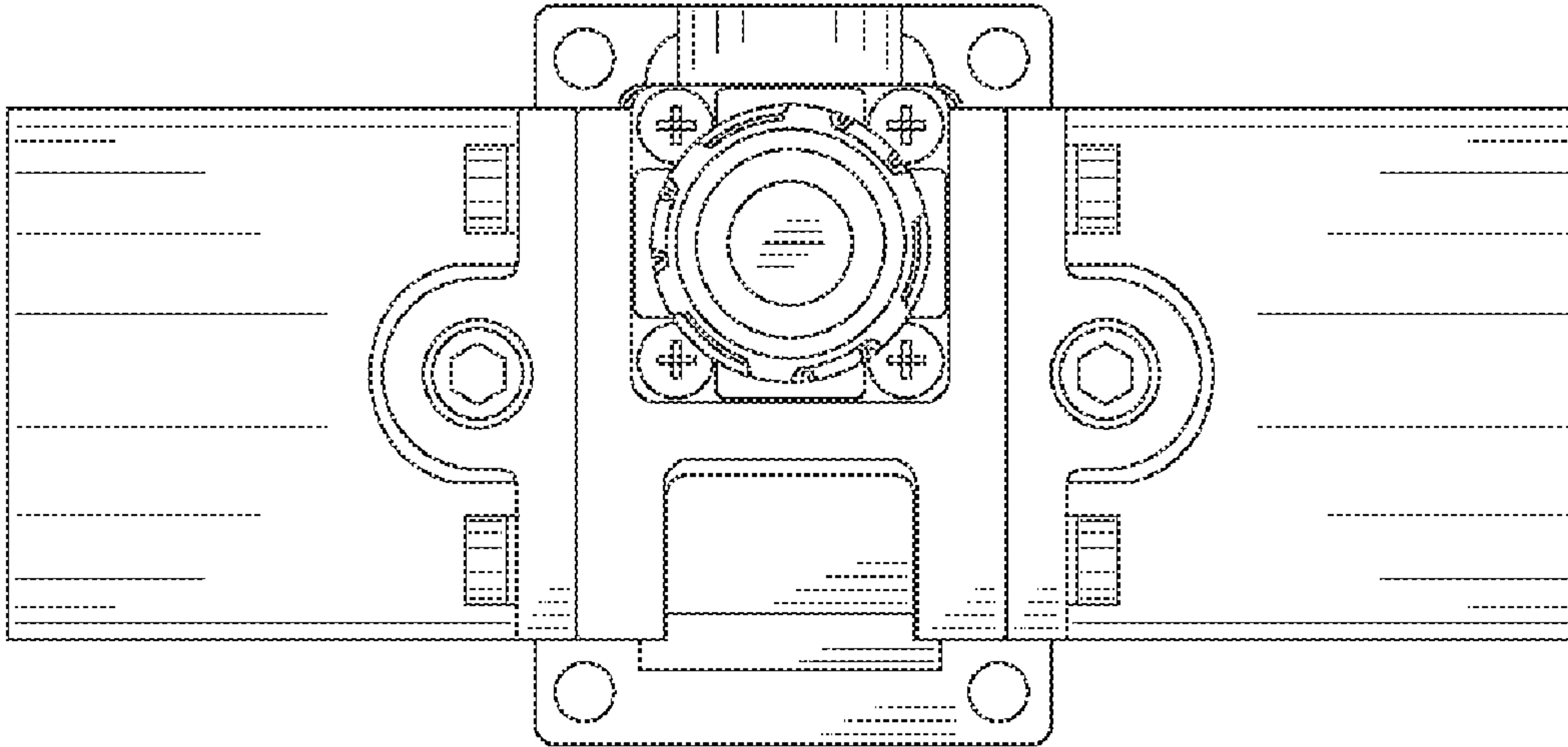


FIG. 6

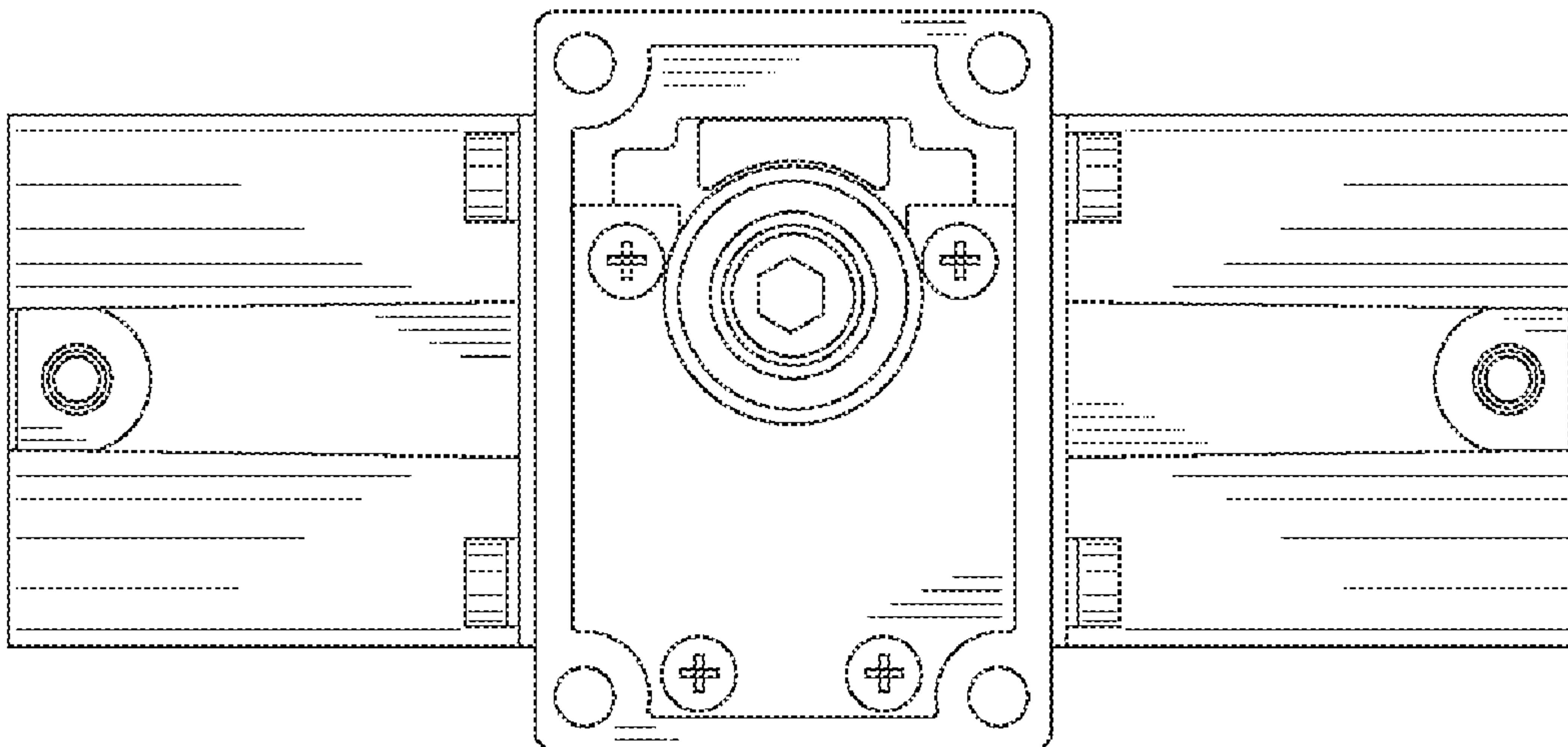


FIG. 7

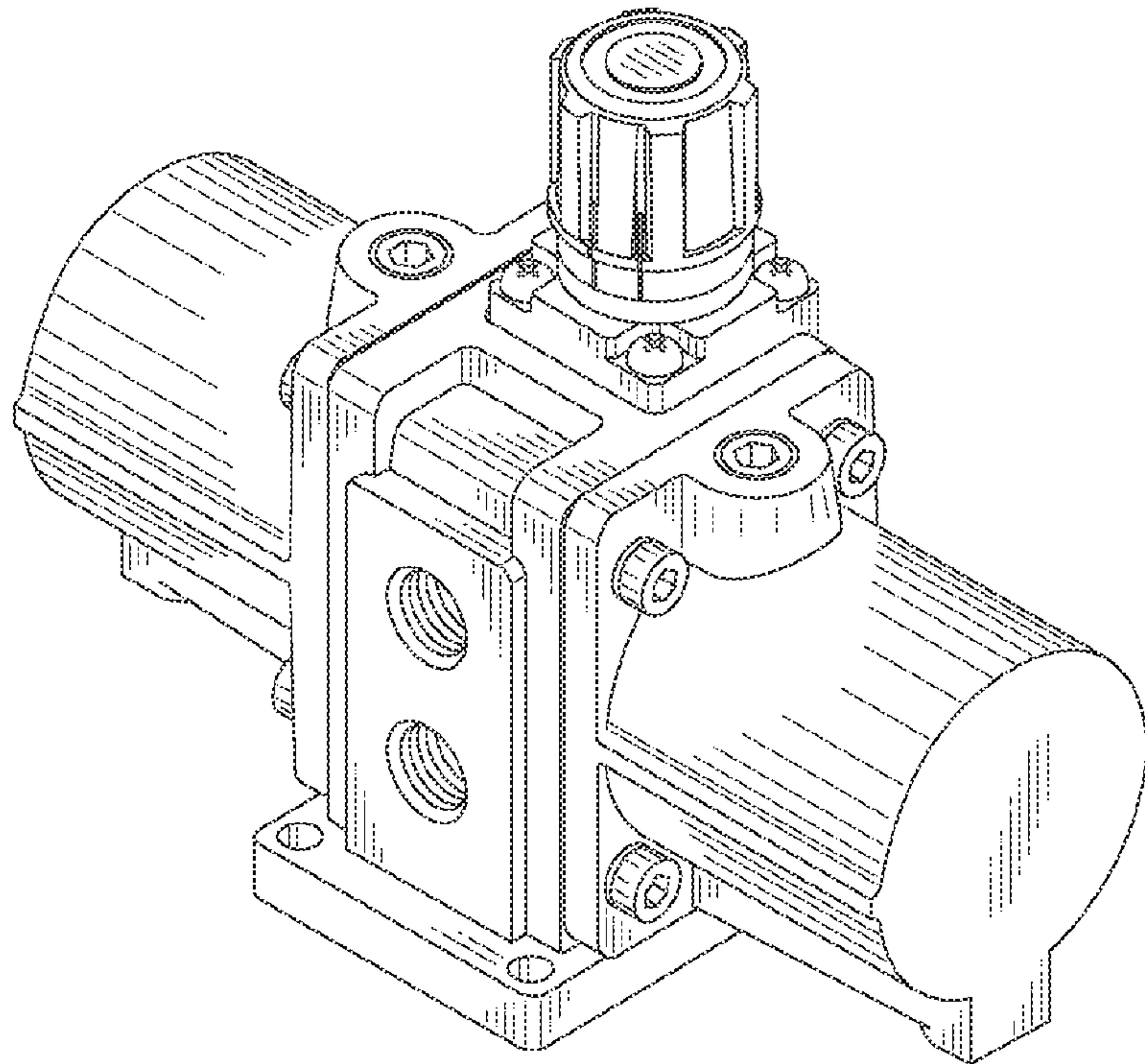


FIG. 8

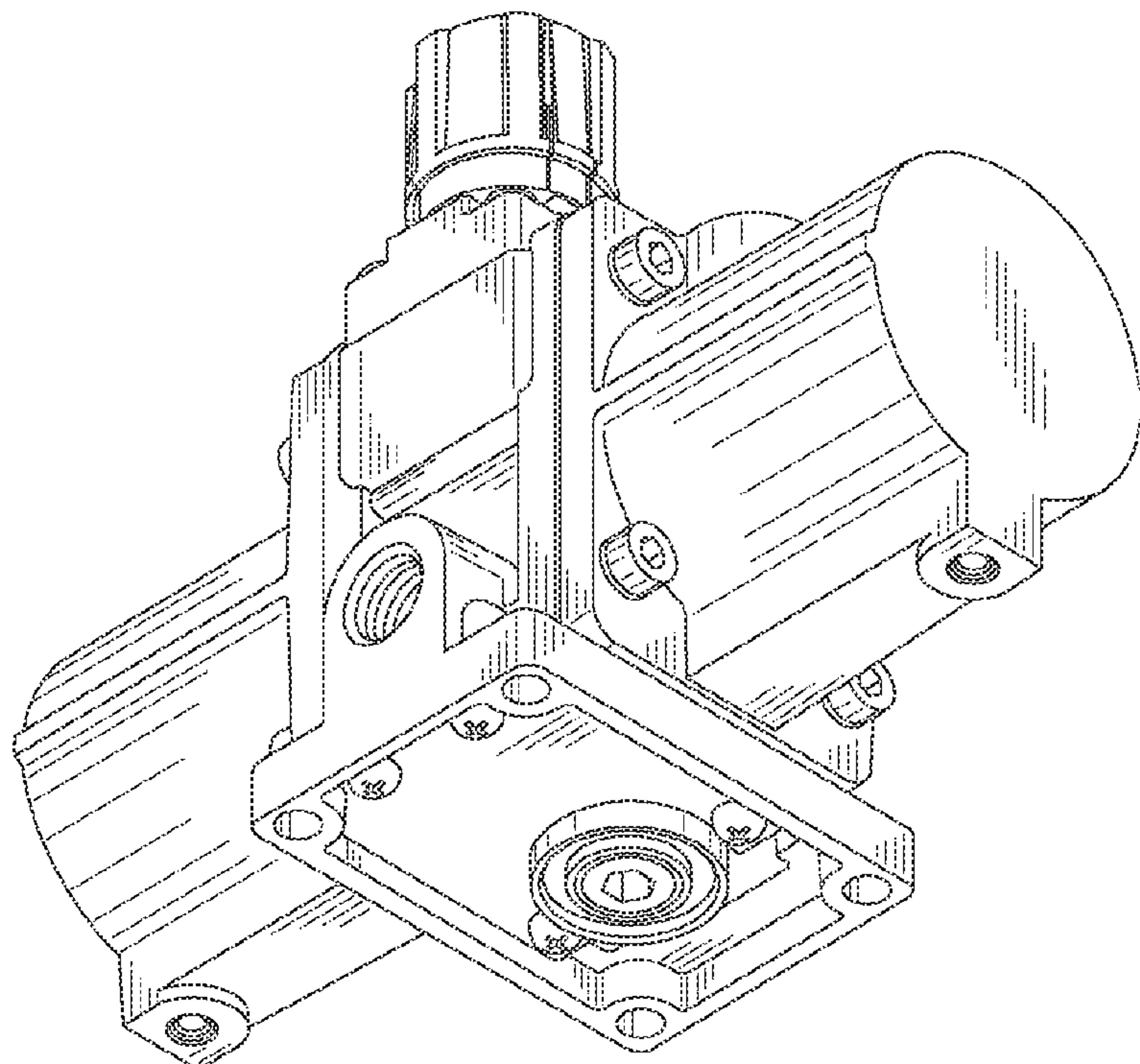


FIG. 9

