



US00D626967S

(12) **United States Design Patent**
Chen

(10) **Patent No.:** **US D626,967 S**

(45) **Date of Patent:** **** Nov. 9, 2010**

(54) **OPTICAL DISK PLAYER**

(76) Inventor: **Chiu-Yuan Chen**, No.2-1, Lane 1206,
Chung-Cheng Road, Chung-Ho City,
Taipei (TW)

(**) Term: **14 Years**

(21) Appl. No.: **29/353,335**

(22) Filed: **Jan. 7, 2010**

(51) **LOC (9) Cl.** **14-01**

(52) **U.S. Cl.** **D14/499**

(58) **Field of Classification Search** D14/496,
D14/498-510, 167-168, 188, 214, 349, 351;
360/99.02, 99.07; 369/75.11, 75.21, 77.11,
369/77.21; 720/601, 612, 619, 649, 655;
455/344, 347-351

See application file for complete search history.

(56) **References Cited**

U.S. PATENT DOCUMENTS

D360,416 S *	7/1995	Yamamoto	D14/214
D386,156 S *	11/1997	MacMurtrie et al.	D14/349
D492,661 S *	7/2004	Masamitsu et al.	D14/499
D510,921 S *	10/2005	Khadivar	D14/499

* cited by examiner

Primary Examiner—Nanda Bondade

(74) *Attorney, Agent, or Firm*—Alan Kamrath; Kamrath &
Associates PA

(57) **CLAIM**

The ornamental design for an optical disk player, as shown
and described.

DESCRIPTION

FIG. 1 is a front, top, right, perspective view of an optical disk
player showing my design;

FIG. 2 is a front elevational view thereof;

FIG. 3 is a rear elevational view thereof;

FIG. 4 is a left elevational view thereof;

FIG. 5 is a right elevational view thereof;

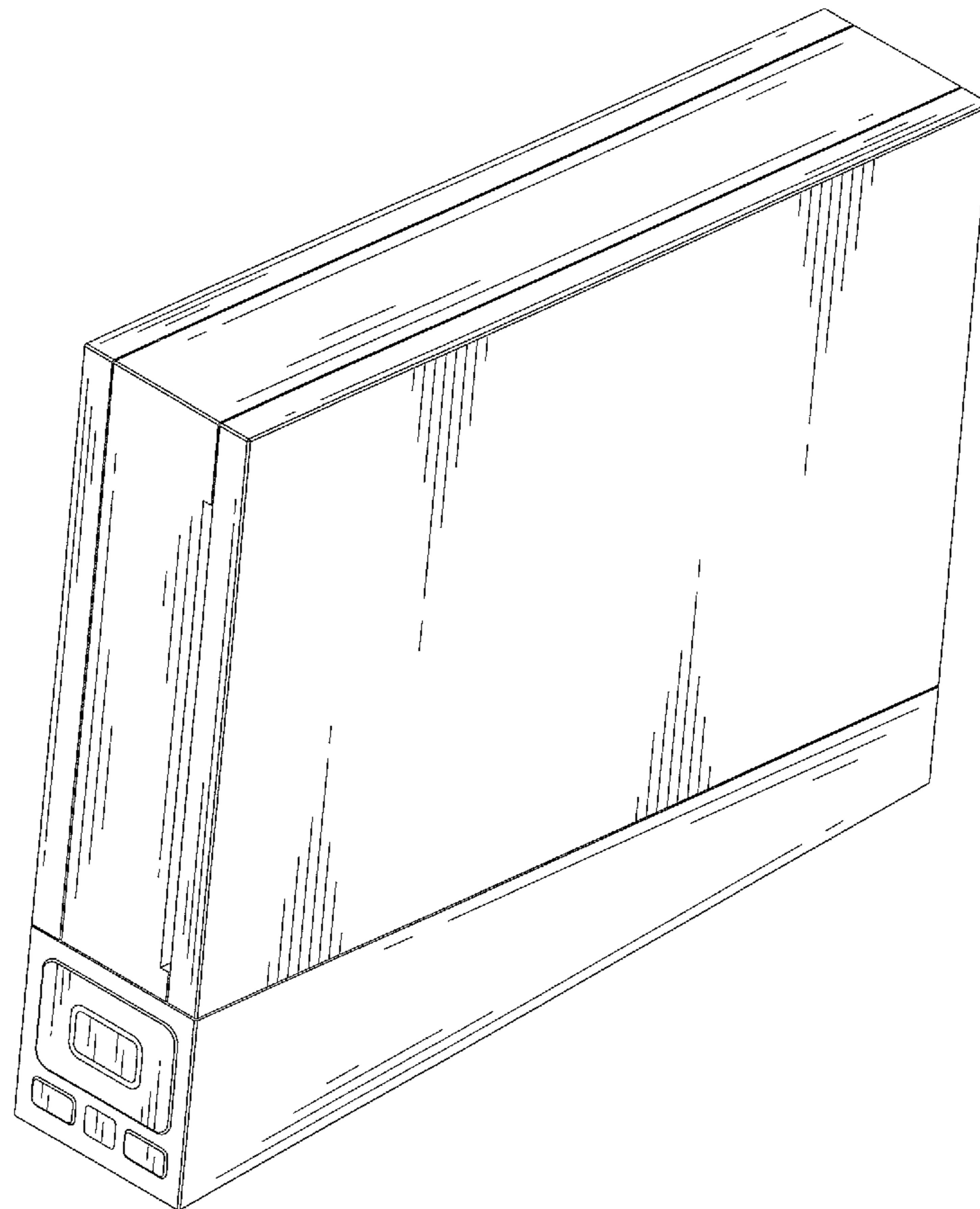
FIG. 6 is a top plan view thereof;

FIG. 7 is a bottom plan view thereof;

FIG. 8 is a rear, top, left, perspective view thereof; and,

FIG. 9 is a front, top, right, perspective view of the optical
disk player with a mat placed under the optical disk player and
shown in phantom lines for illustrative purposes only and
forming no part of the claimed design.

1 Claim, 9 Drawing Sheets



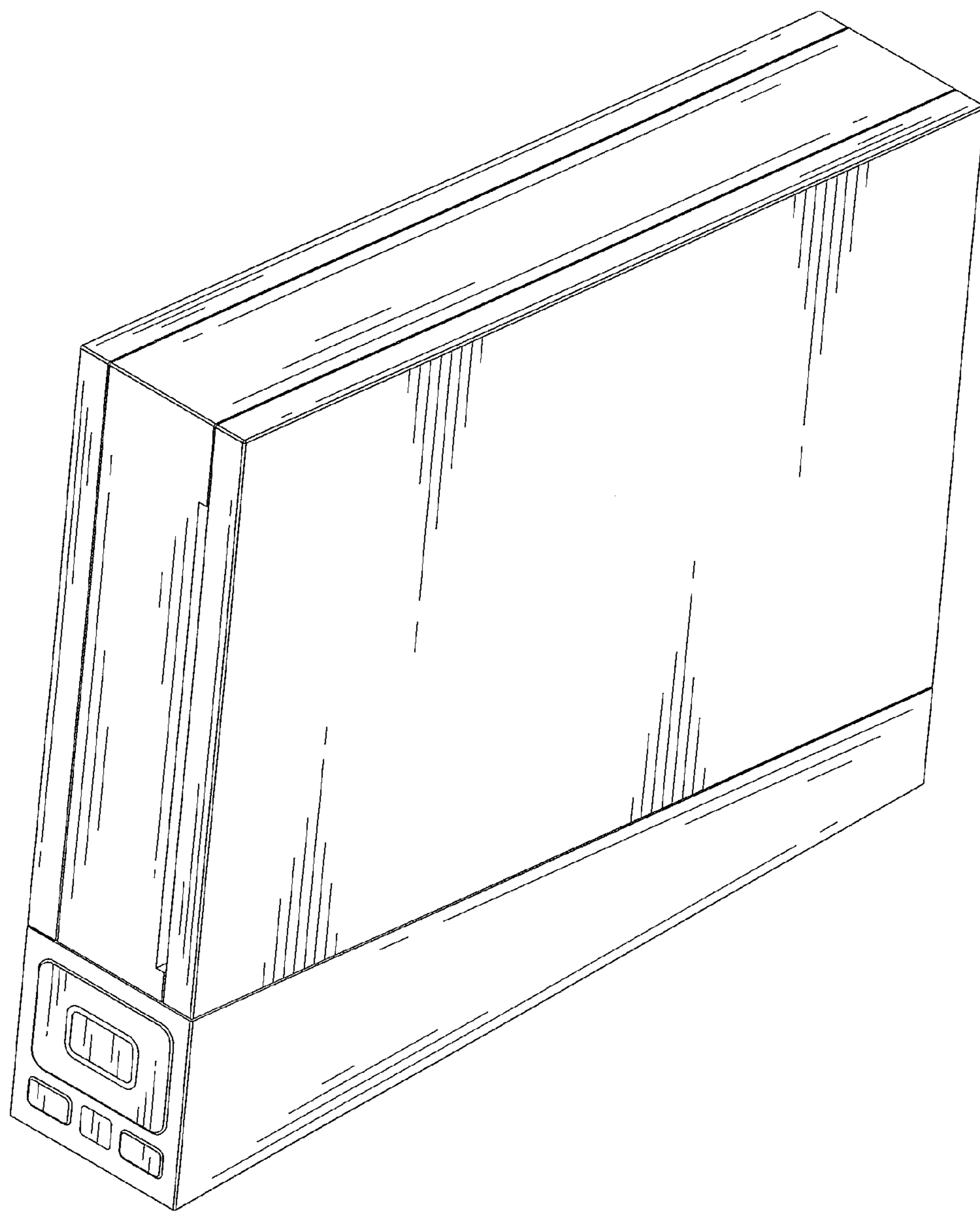


Fig. 1

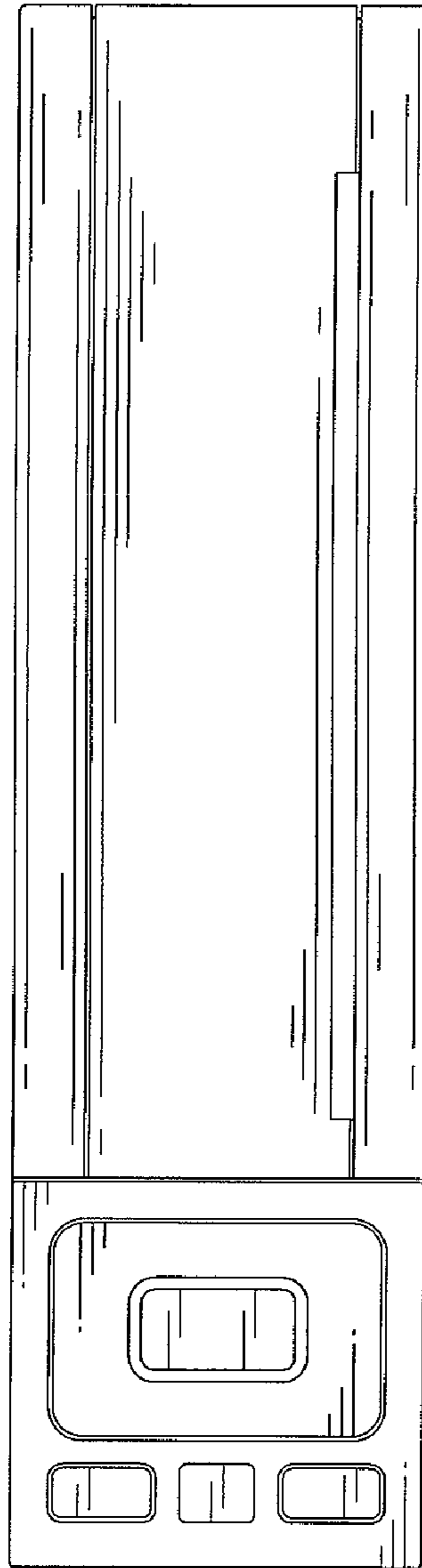


Fig. 2

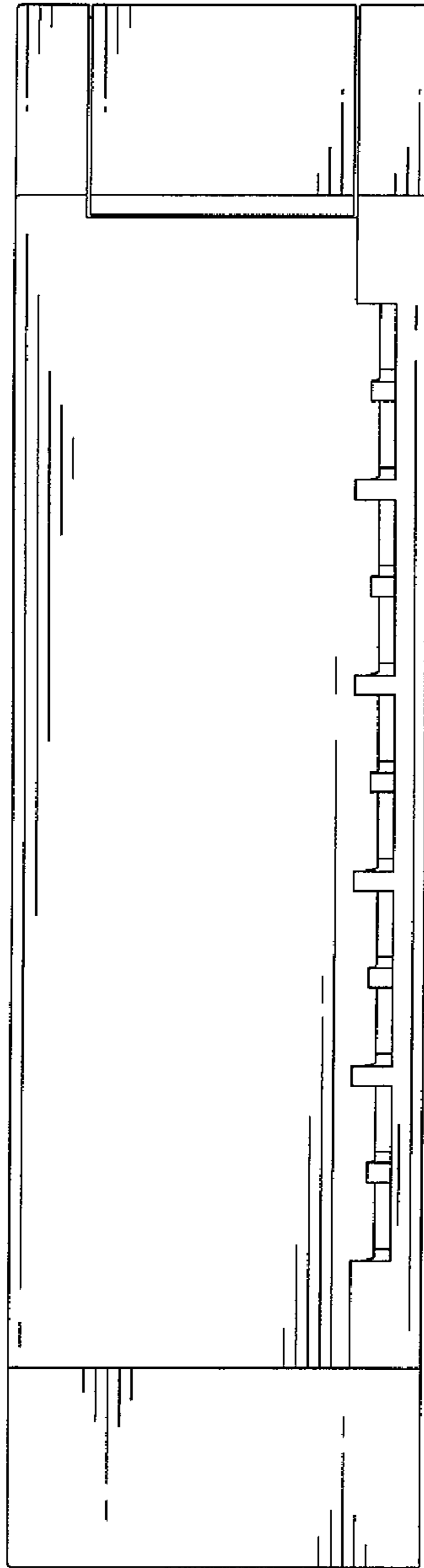


Fig. 3

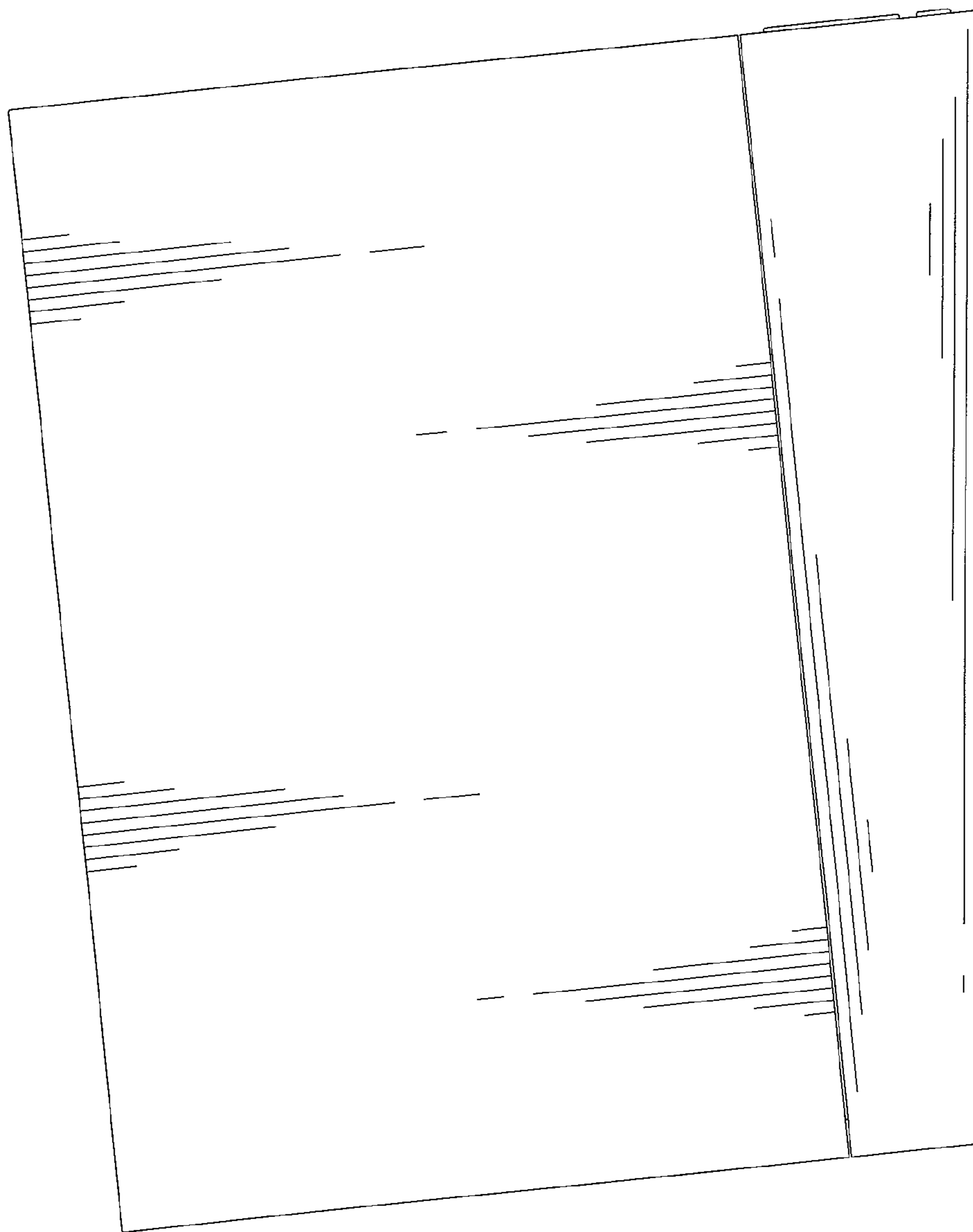


Fig. 4

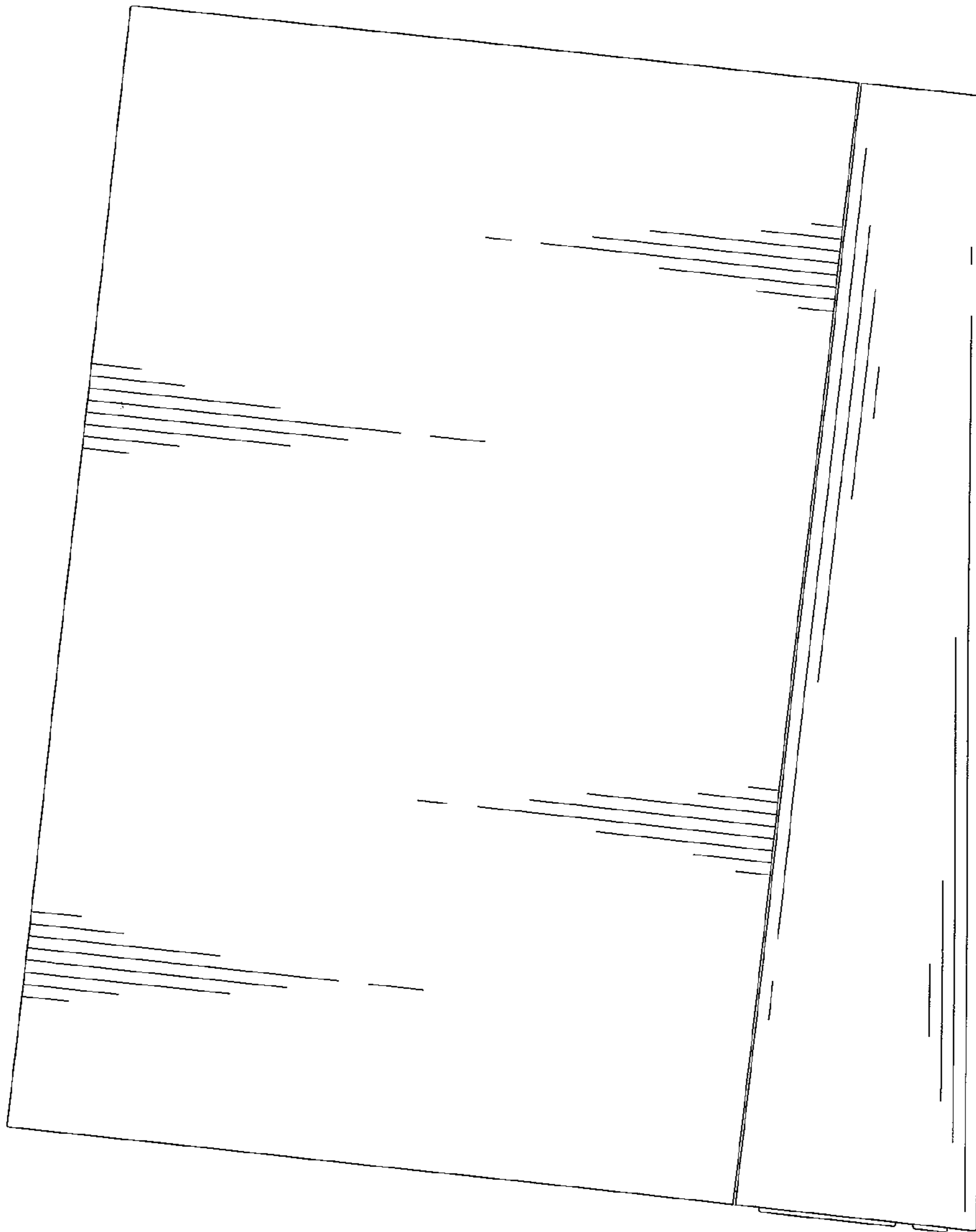


Fig. 5

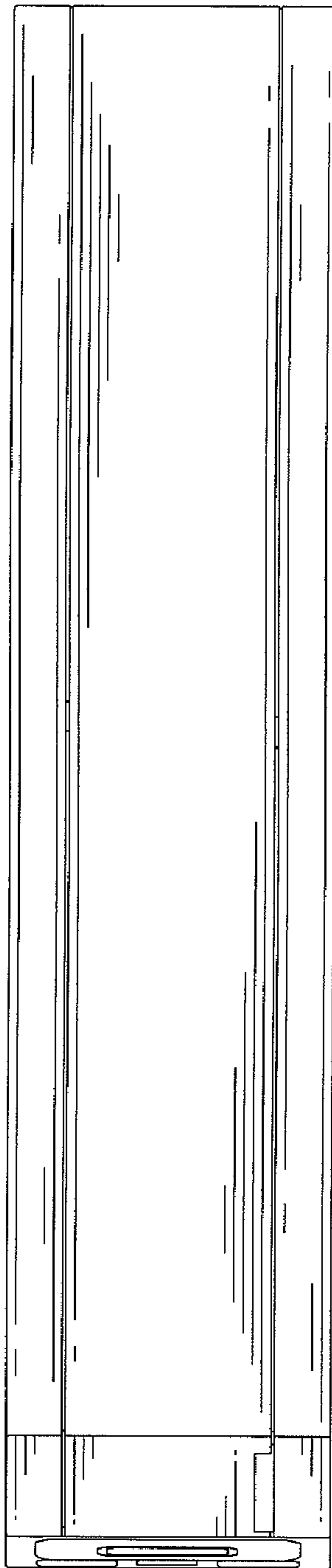


Fig. 6

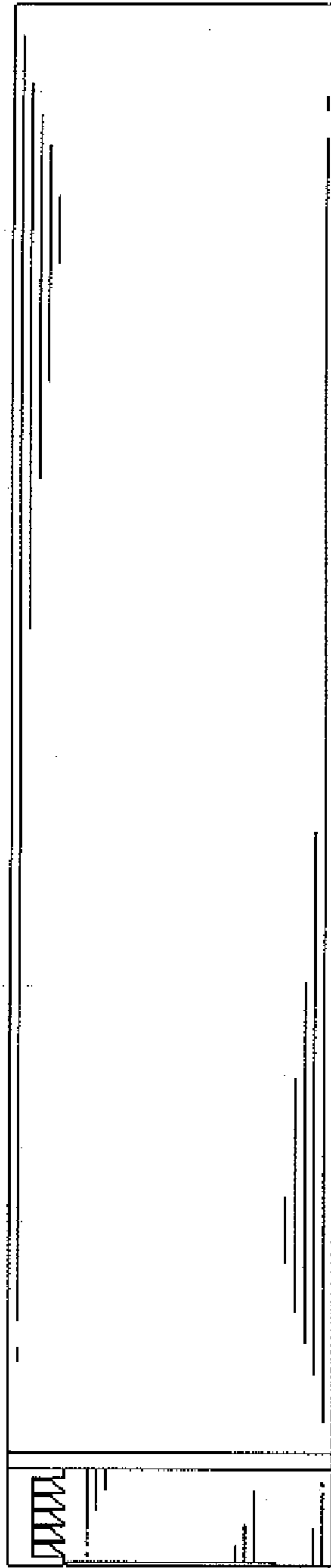


Fig. 7

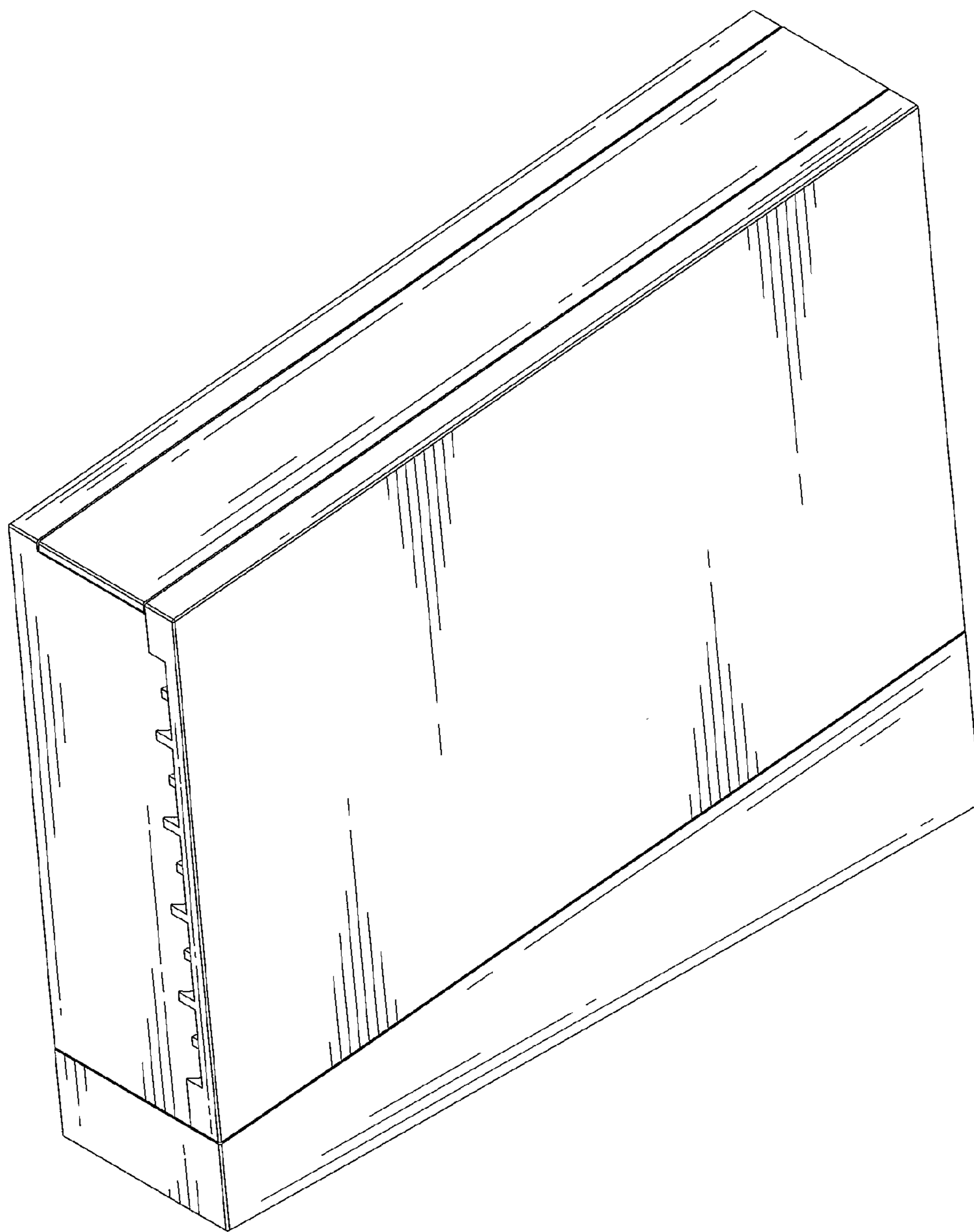


Fig. 8

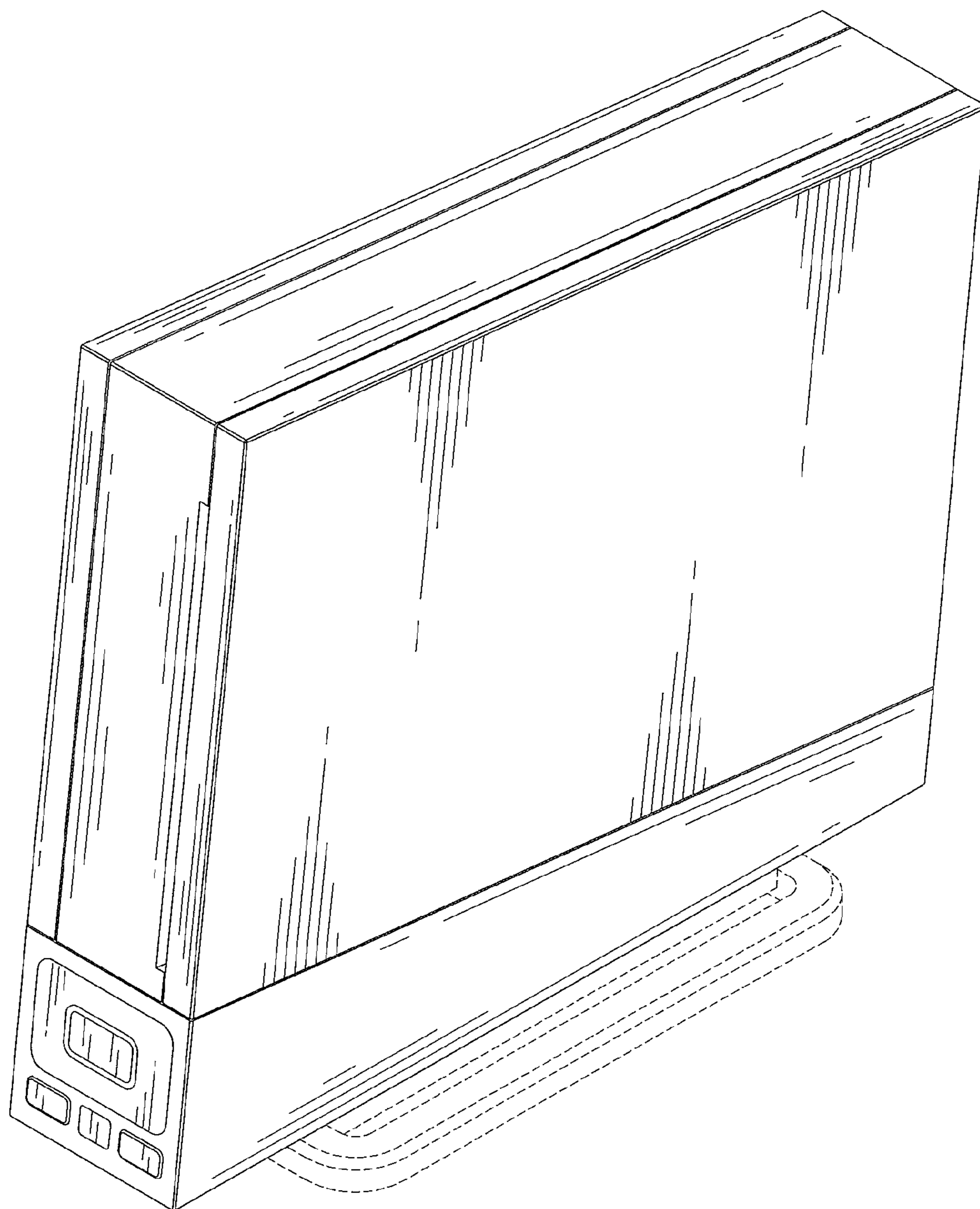


Fig. 9