



US00D626966S

(12) **United States Design Patent**  
**Chen**

(10) **Patent No.:** **US D626,966 S**

(45) **Date of Patent:** **\*\* Nov. 9, 2010**

(54) **OPTICAL DISK PLAYER**

(76) Inventor: **Chiu-Yuan Chen**, No. 2-1, Lane 1206,  
Chung-Cheng Road, Chung-Ho City,  
Taipei (TW)

(\*\*) Term: **14 Years**

(21) Appl. No.: **29/353,334**

(22) Filed: **Jan. 7, 2010**

(51) **LOC (9) Cl.** ..... **14-01**

(52) **U.S. Cl.** ..... **D14/499**

(58) **Field of Classification Search** ..... D14/496,  
D14/498-510, 167-168, 188, 214, 349, 351;  
360/99.02, 99.07; 369/75.11, 75.21, 77.11,  
369/77.21; 720/601, 612, 619, 649, 655;  
455/344, 347-351

See application file for complete search history.

(56) **References Cited**

**U.S. PATENT DOCUMENTS**

- D365,561 S \* 12/1995 Khadivar ..... D14/499
- D514,545 S \* 2/2006 Watanabe ..... D14/499
- D521,476 S \* 5/2006 Hisatsune ..... D14/499

\* cited by examiner

*Primary Examiner*—Nanda Bondade

(74) *Attorney, Agent, or Firm*—Alan Kamrath; Kamrath &  
Associates PA

(57) **CLAIM**

The ornamental design for an optical disk player, as shown  
and described.

**DESCRIPTION**

FIG. 1 is a front, top, right, perspective view of an optical disk  
player showing my design;

FIG. 2 is a front elevational view thereof;

FIG. 3 is a rear elevational view thereof;

FIG. 4 is a left elevational view thereof;

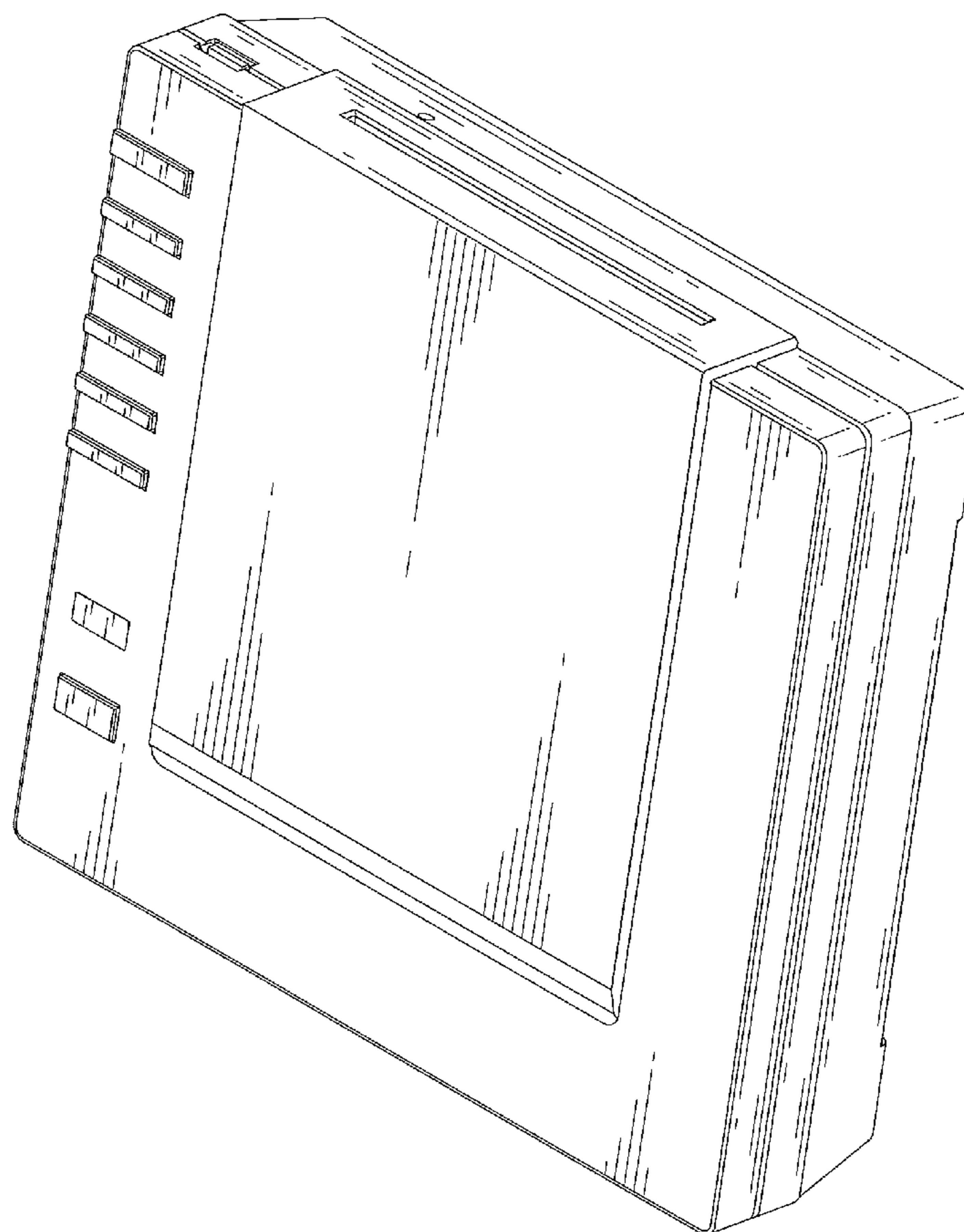
FIG. 5 is a right elevational view thereof;

FIG. 6 is a top plan view thereof;

FIG. 7 is a bottom plan view thereof; and,

FIG. 8 is a rear, top, left, perspective view thereof.

**1 Claim, 7 Drawing Sheets**



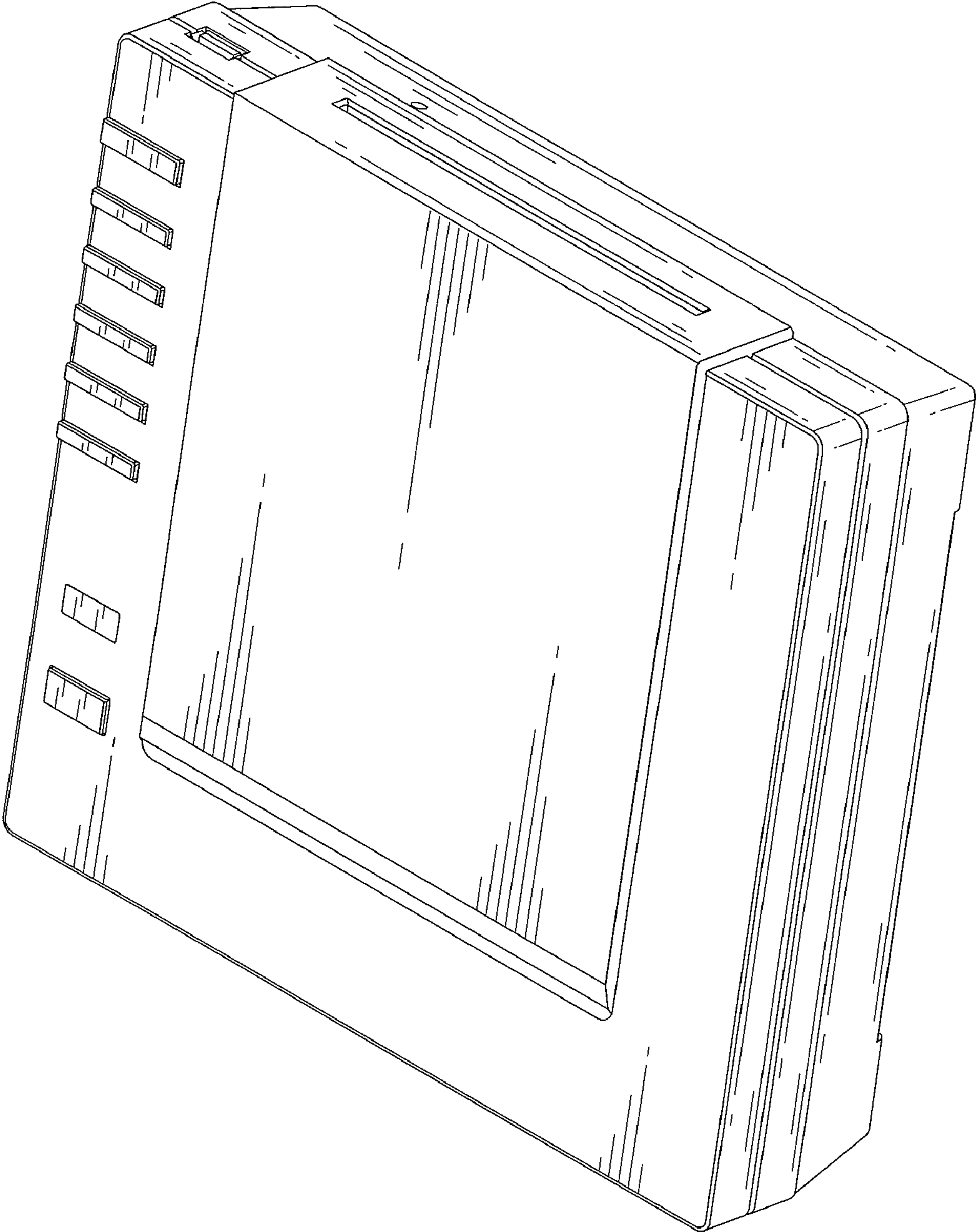


Fig. 1

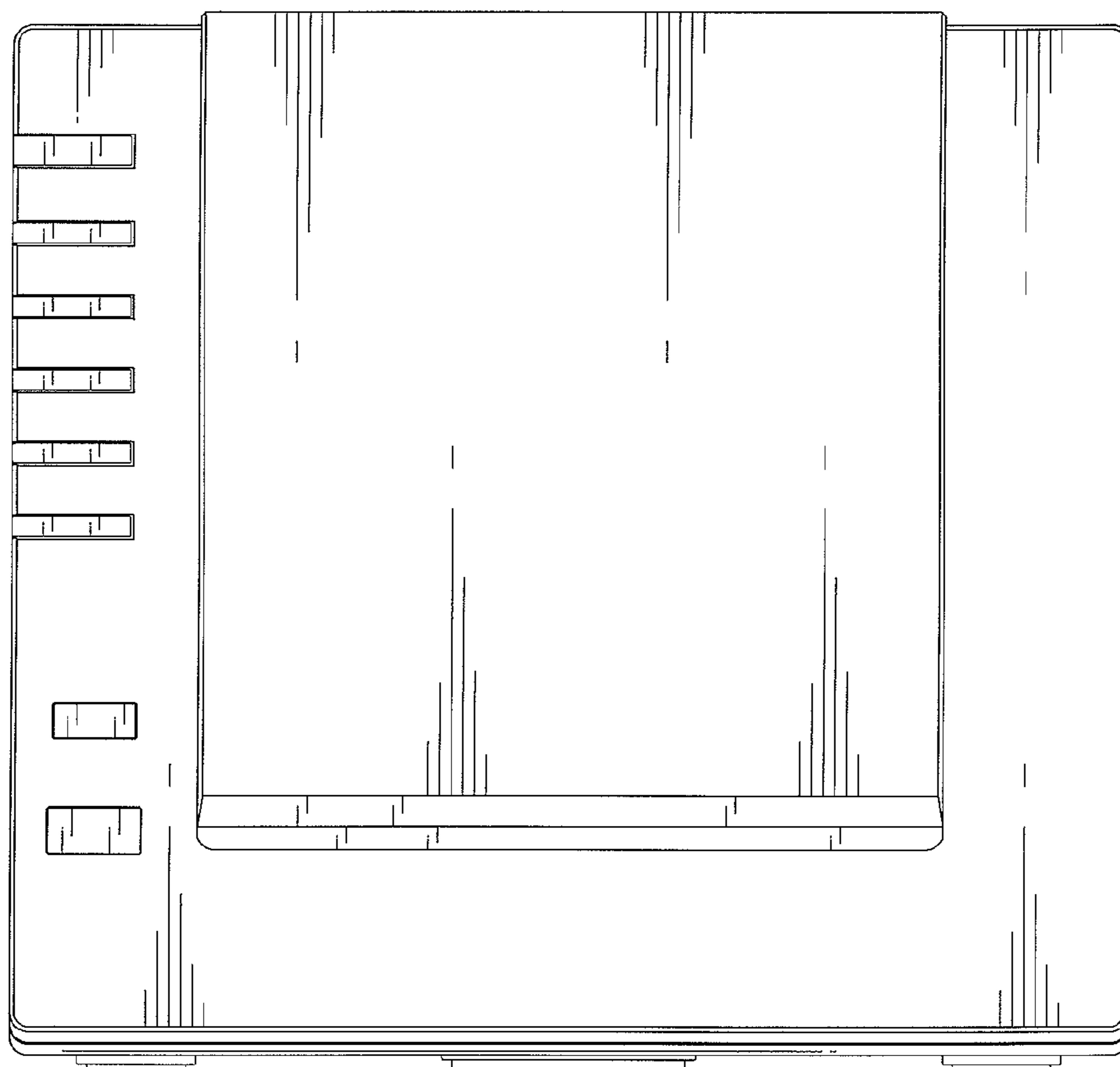


Fig. 2

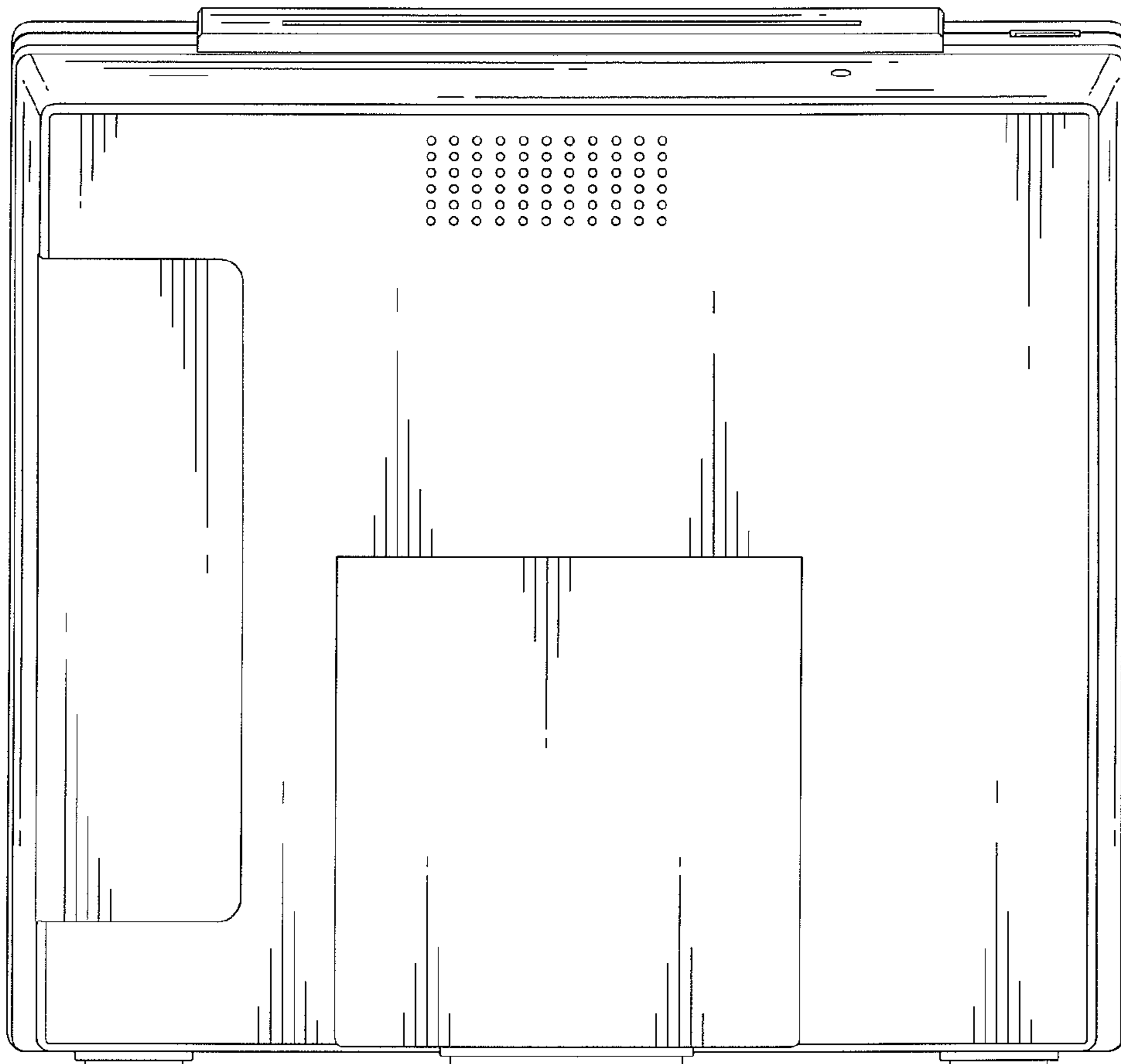


Fig. 3

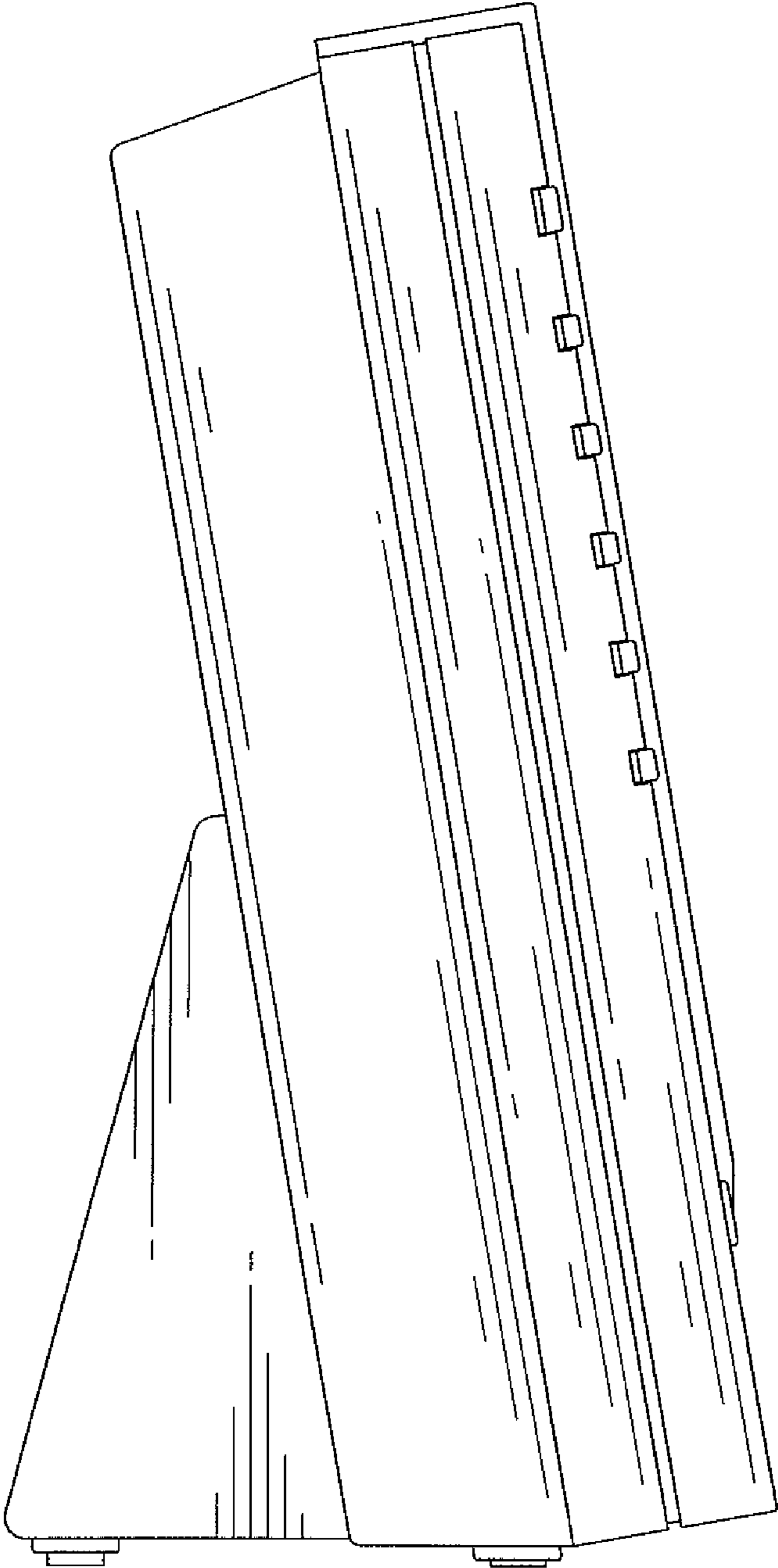


Fig. 4

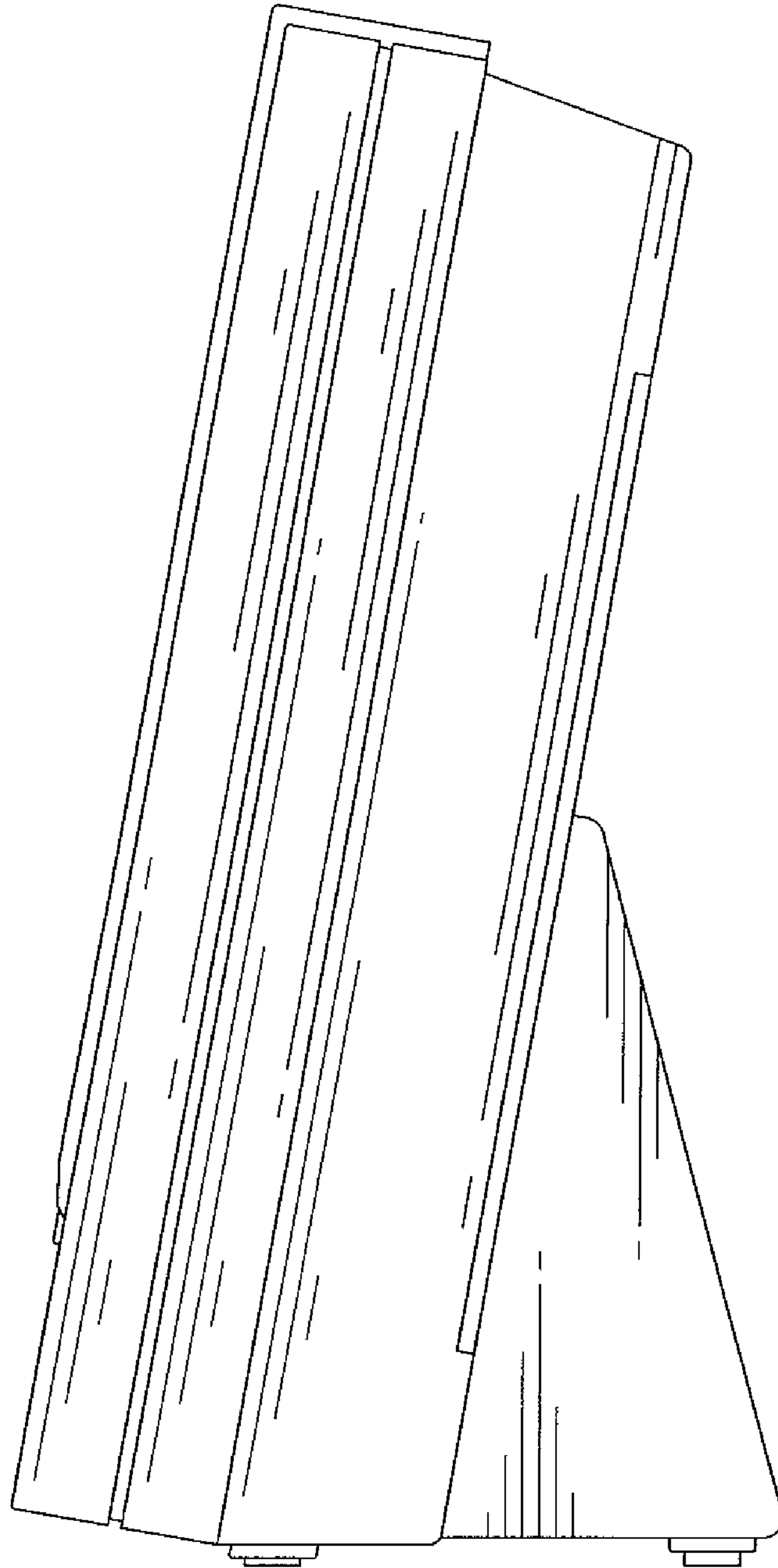


Fig. 5

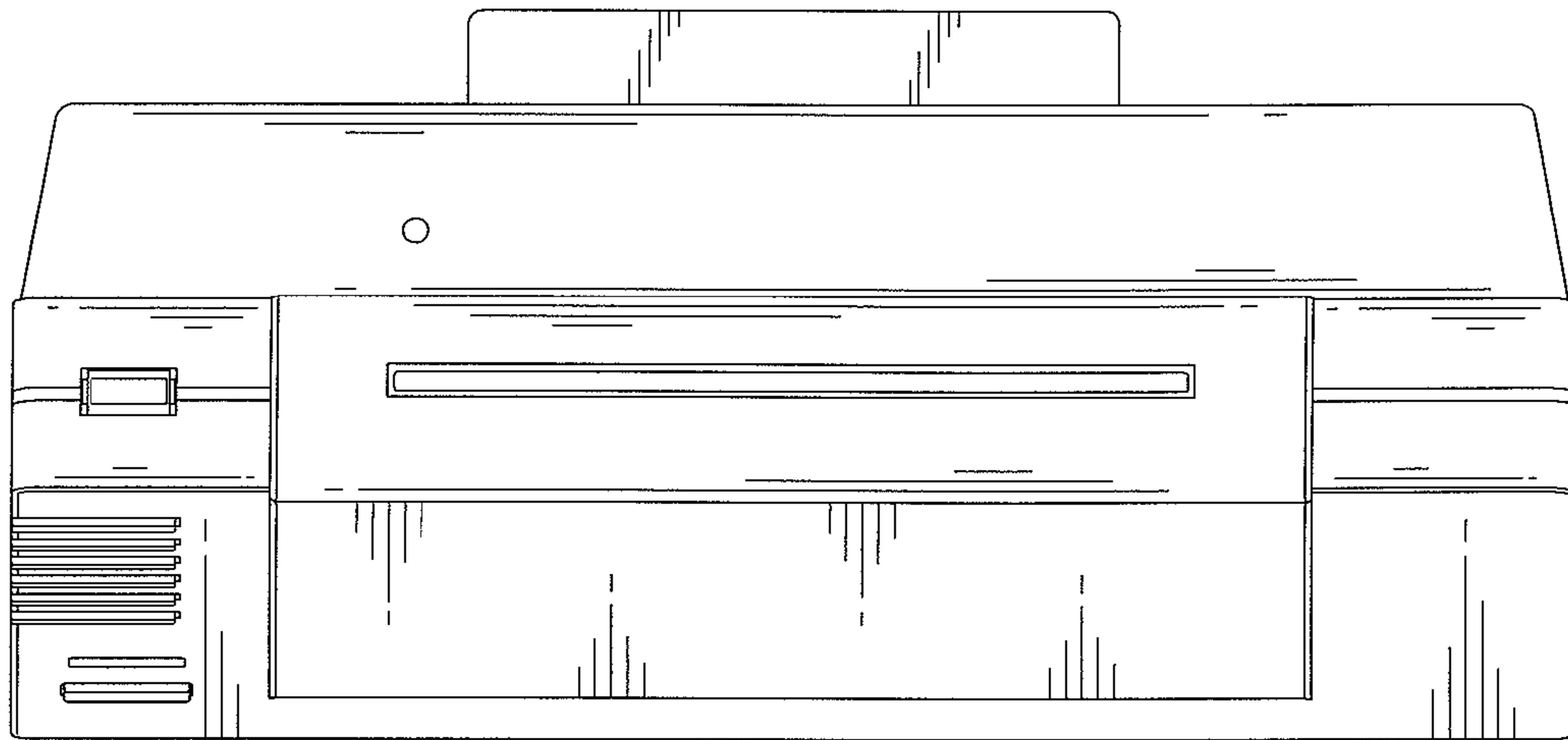


Fig. 6

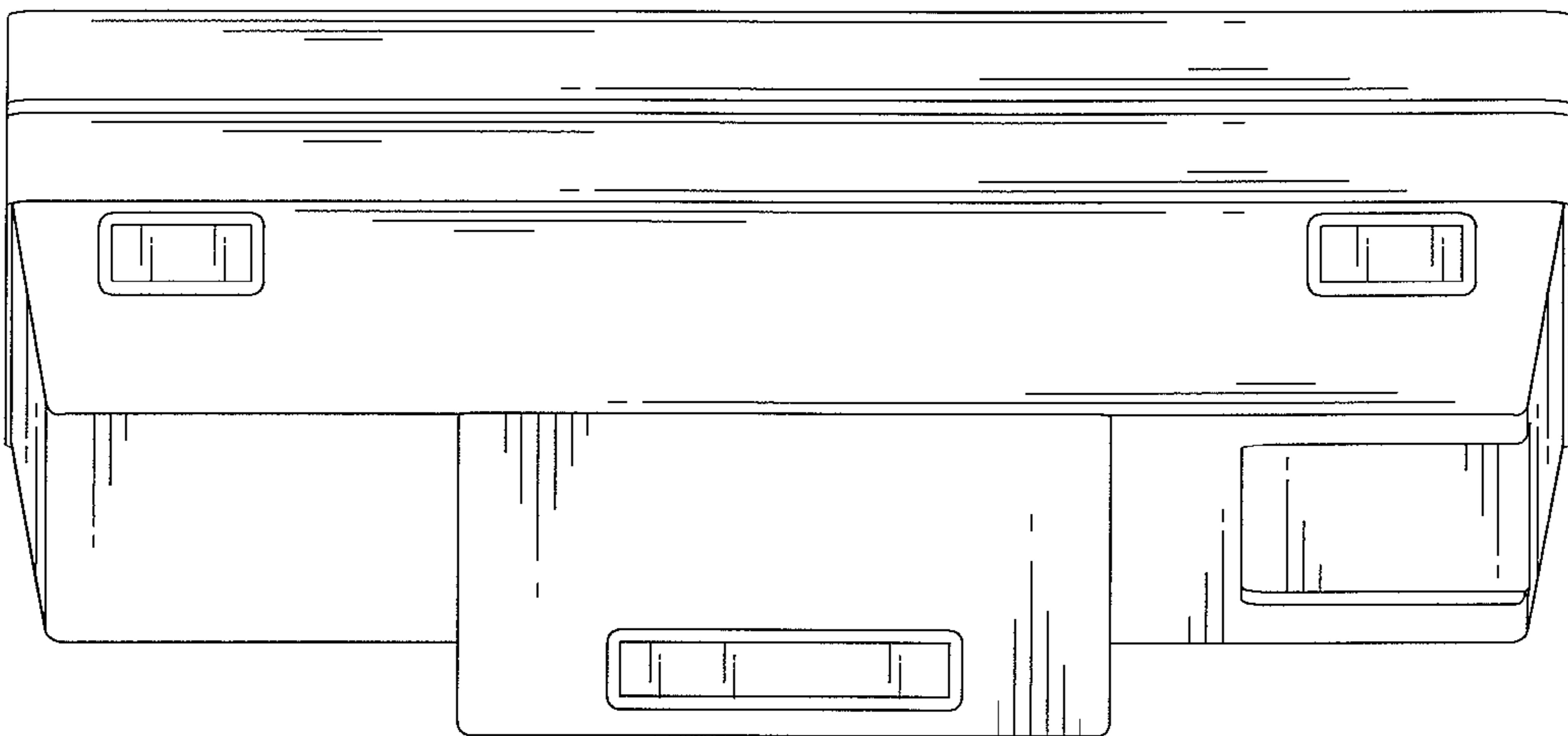


Fig. 7

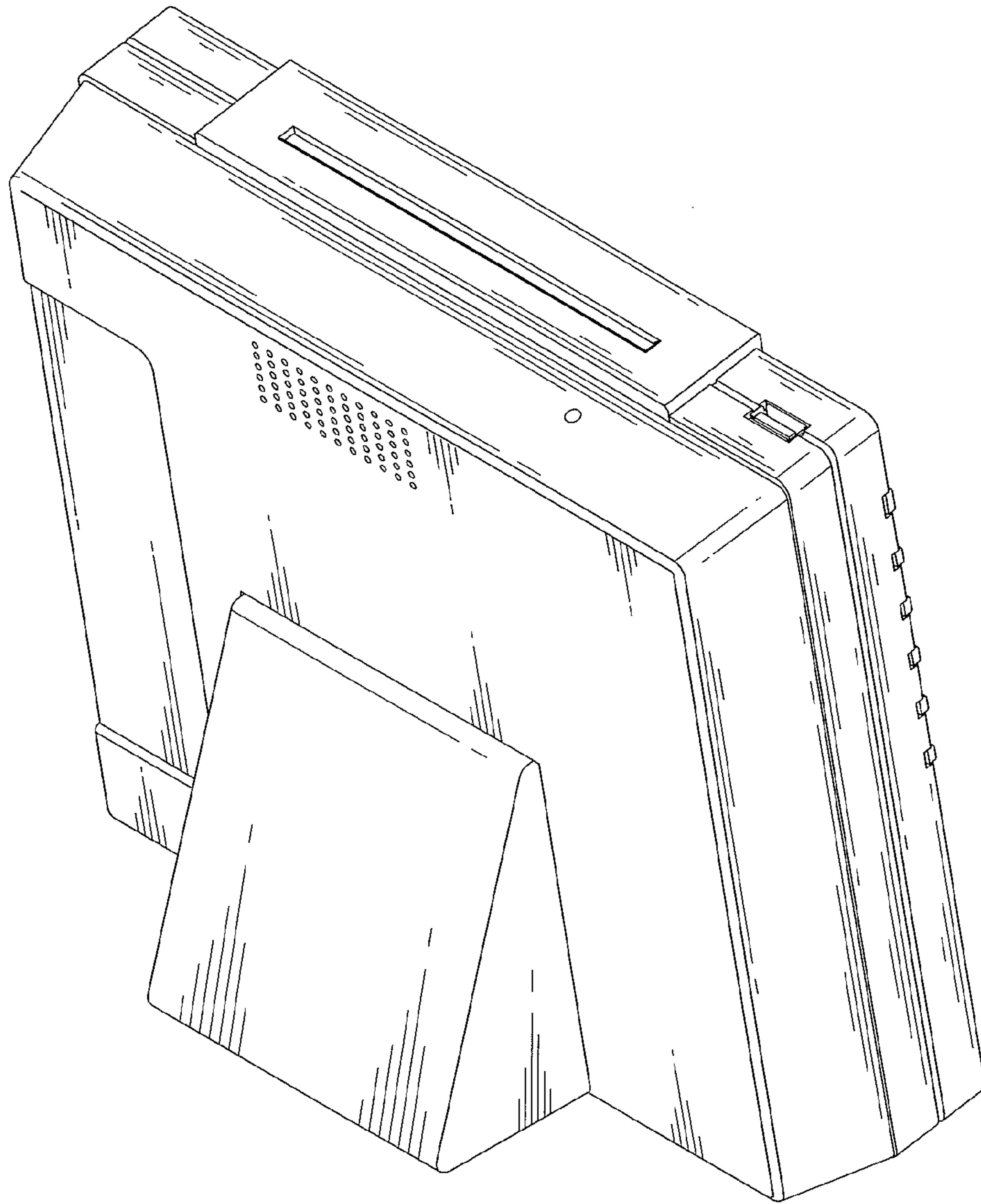


Fig. 8