



US00D626964S

(12) **United States Design Patent**
Richardson et al.

(10) **Patent No.:** **US D626,964 S**

(45) **Date of Patent:** **** Nov. 9, 2010**

(54) **STAND**

(75) Inventors: **Curtis Richardson**, Fort Collins, CO (US); **Jamie Johnson**, Fort Collins, CO (US); **Stephen Willes**, Fort Collins, CO (US); **Cameron Magness**, Fort Collins, CO (US); **Travis Smith**, Fort Collins, CO (US); **Alan Morine**, Fort Collins, CO (US)

(73) Assignee: **Otter Products, LLC**, Fort Collins, CO (US)

(**) Term: **14 Years**

(21) Appl. No.: **29/359,234**

(22) Filed: **Apr. 7, 2010**

(51) **LOC (9) Cl.** **08-07**

(52) **U.S. Cl.** **D14/447**

(58) **Field of Classification Search** D14/447, D14/451, 452, 239, 432, 434, 439, 448, 457, D14/251, 253, 224, 224.1, 126, 127, 371, D14/373, 374, 375, 217; D8/363, 373, 380; 248/917, 918, 919, 920, 921, 922, 923, 924, 248/441.1, 460, 122.1, 125.7, 371, 176.1, 248/176.3, 222.52, 276.1, 324; 361/679.06, 361/679.04, 679.21, 679.22, 679.56

See application file for complete search history.

(56) **References Cited**

U.S. PATENT DOCUMENTS

4,460,146 A * 7/1984 Raggiotti 248/456
5,607,135 A * 3/1997 Yamada 248/456

D513,008 S * 12/2005 Takizawa et al. D14/447
D558,774 S * 1/2008 Najima D14/447
D573,598 S * 7/2008 Chu D14/447
7,487,940 B2 * 2/2009 Saez et al. 248/176.1
D589,964 S * 4/2009 Heggland et al. D14/434
D592,188 S * 5/2009 Huang D14/217
D603,840 S * 11/2009 Lee et al. D14/217
2003/0001064 A1 * 1/2003 Book 248/460
2004/0007649 A1 * 1/2004 Vettrano 248/127
2007/0221811 A1 * 9/2007 Hauser et al. 248/454
2010/0213331 A1 * 8/2010 Liou 248/176.3

* cited by examiner

Primary Examiner—Angela J Lee

(57) **CLAIM**

The ornamental design for a stand, as shown and described.

DESCRIPTION

FIG. 1 is an isometric view of a stand showing our new design;

FIG. 2 is a front view thereof;

FIG. 3 is a rear view thereof;

FIG. 4 is a top view thereof;

FIG. 5 is a bottom view thereof;

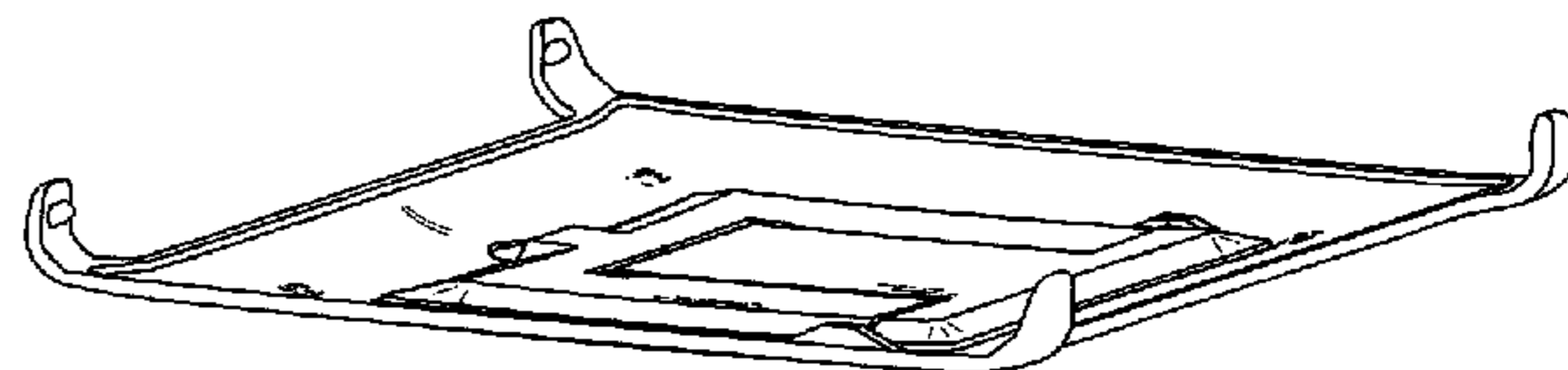
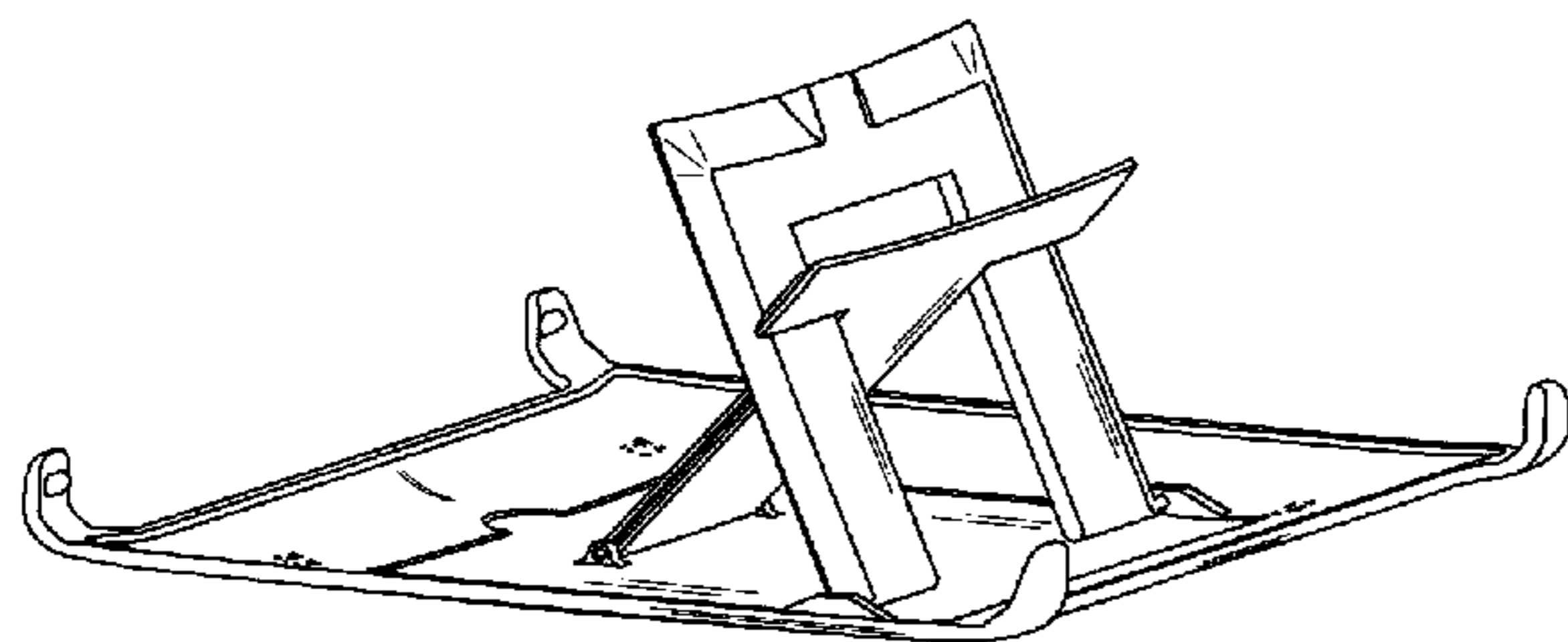
FIG. 6 is a right view thereof;

FIG. 7 is a left view thereof; and,

FIG. 8 is an isometric view of a stand in an alternate position.

The portions of the stand shown in broken lines form no part of the claimed design.

1 Claim, 8 Drawing Sheets



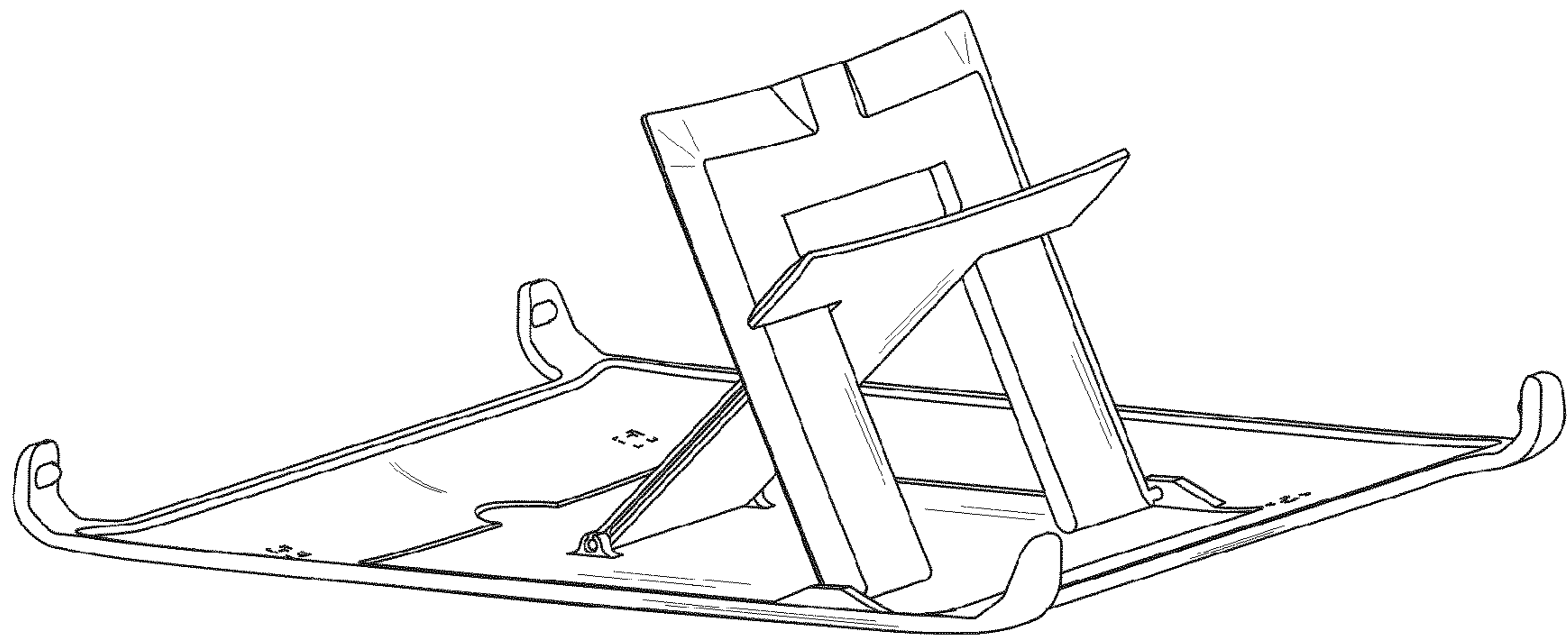


FIG. 1

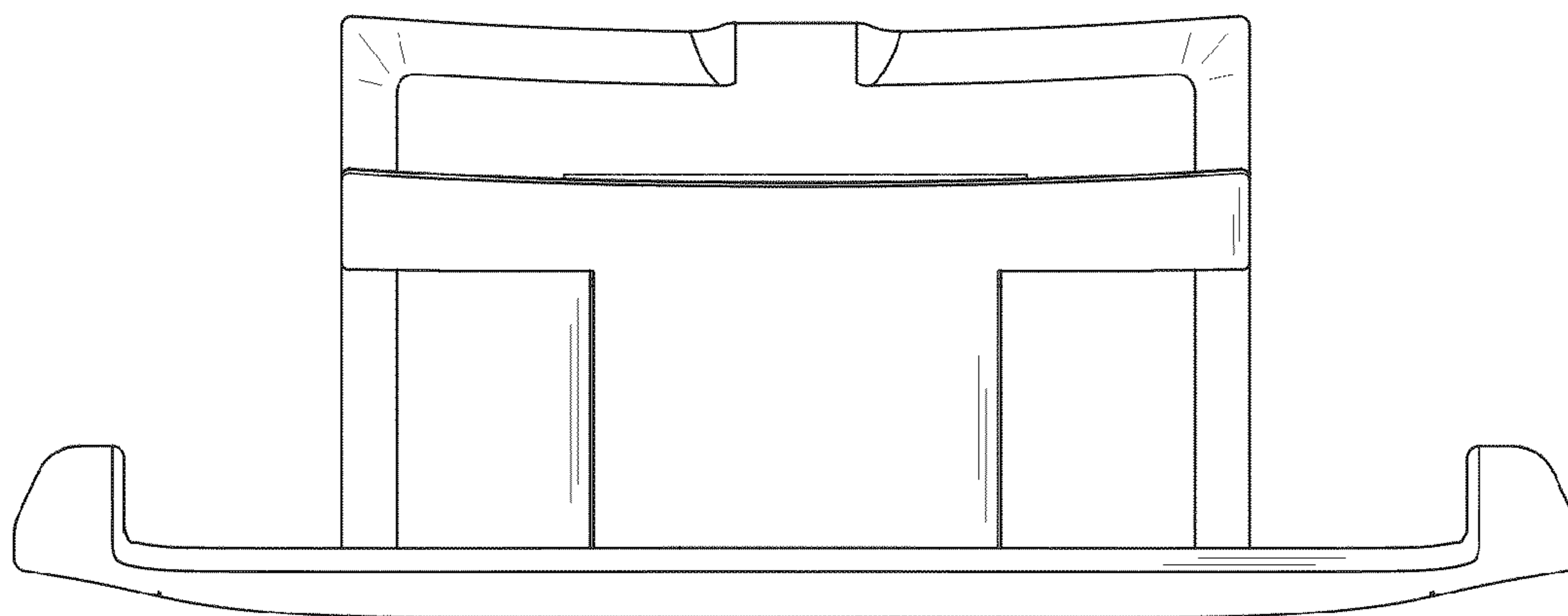


FIG. 2

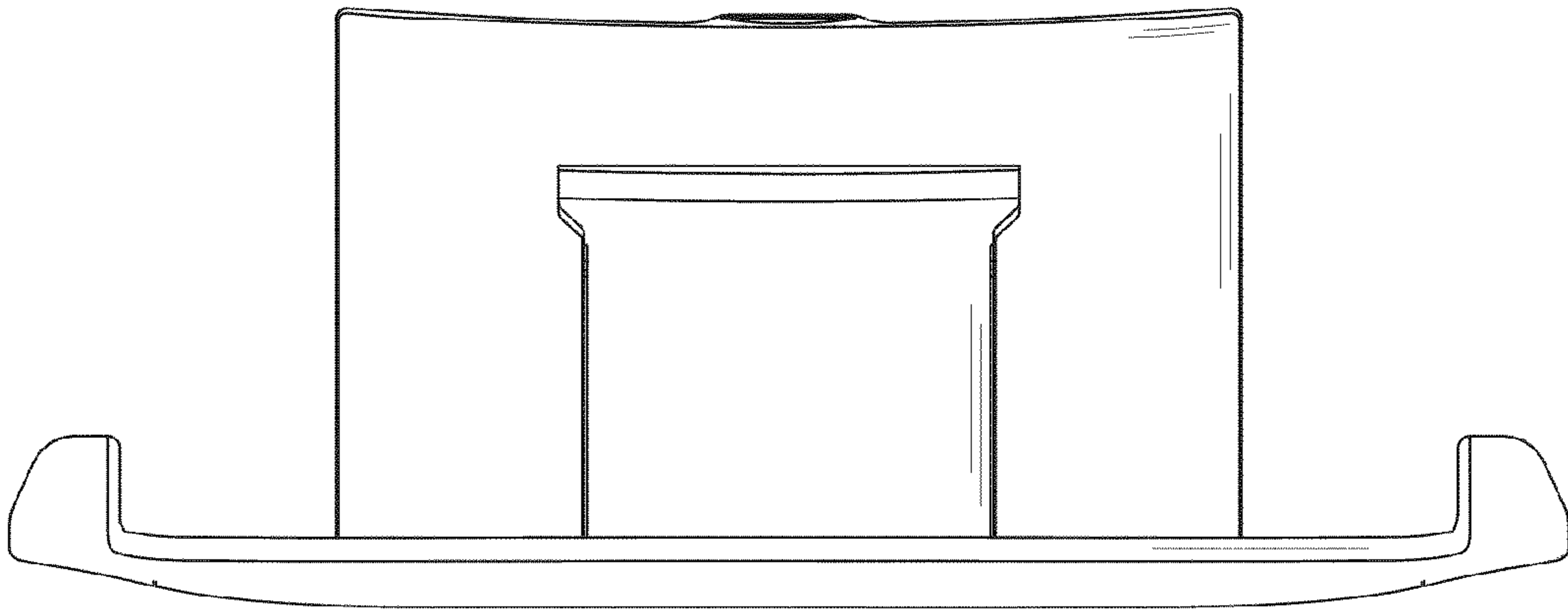


FIG. 3

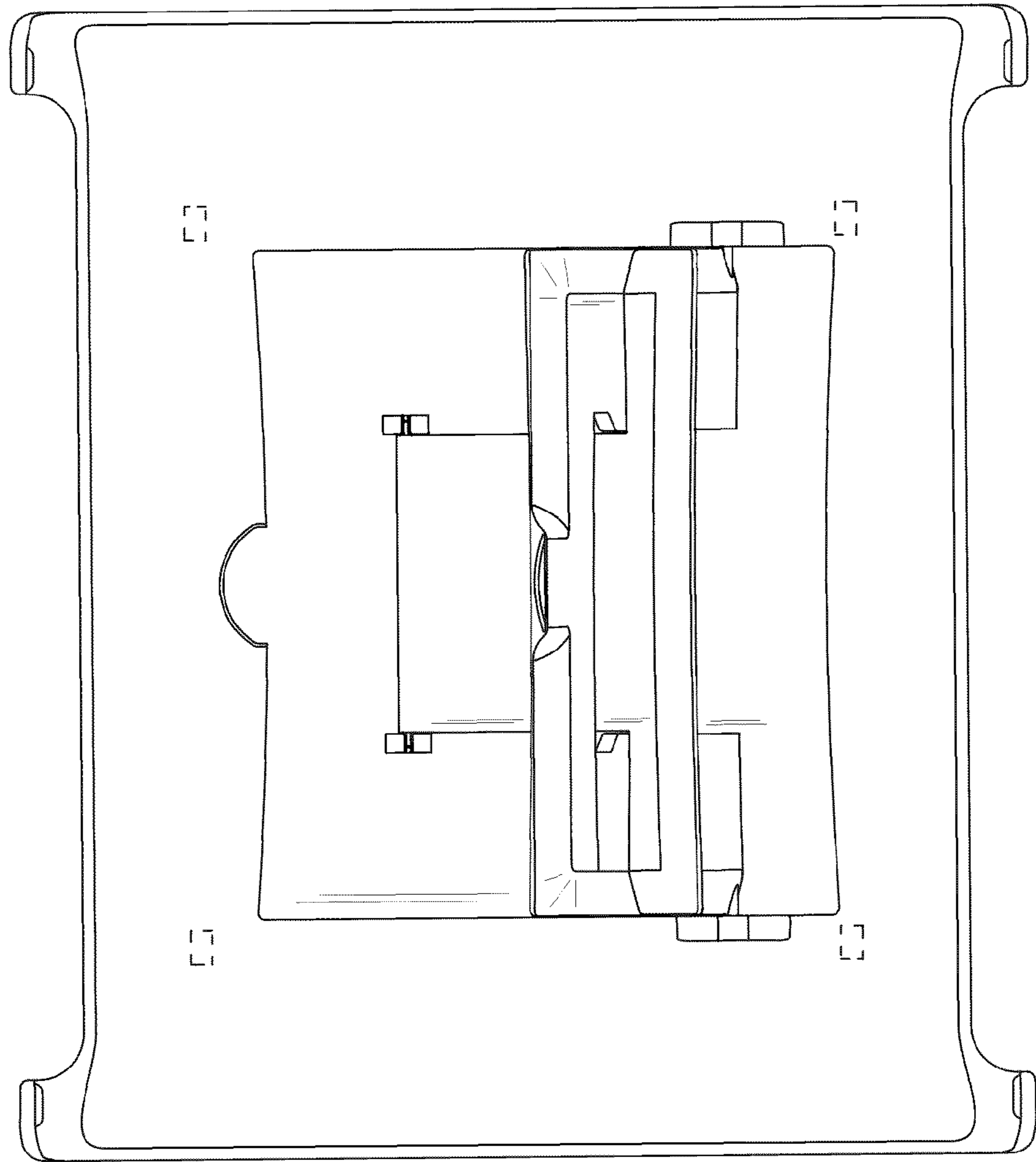


FIG. 4

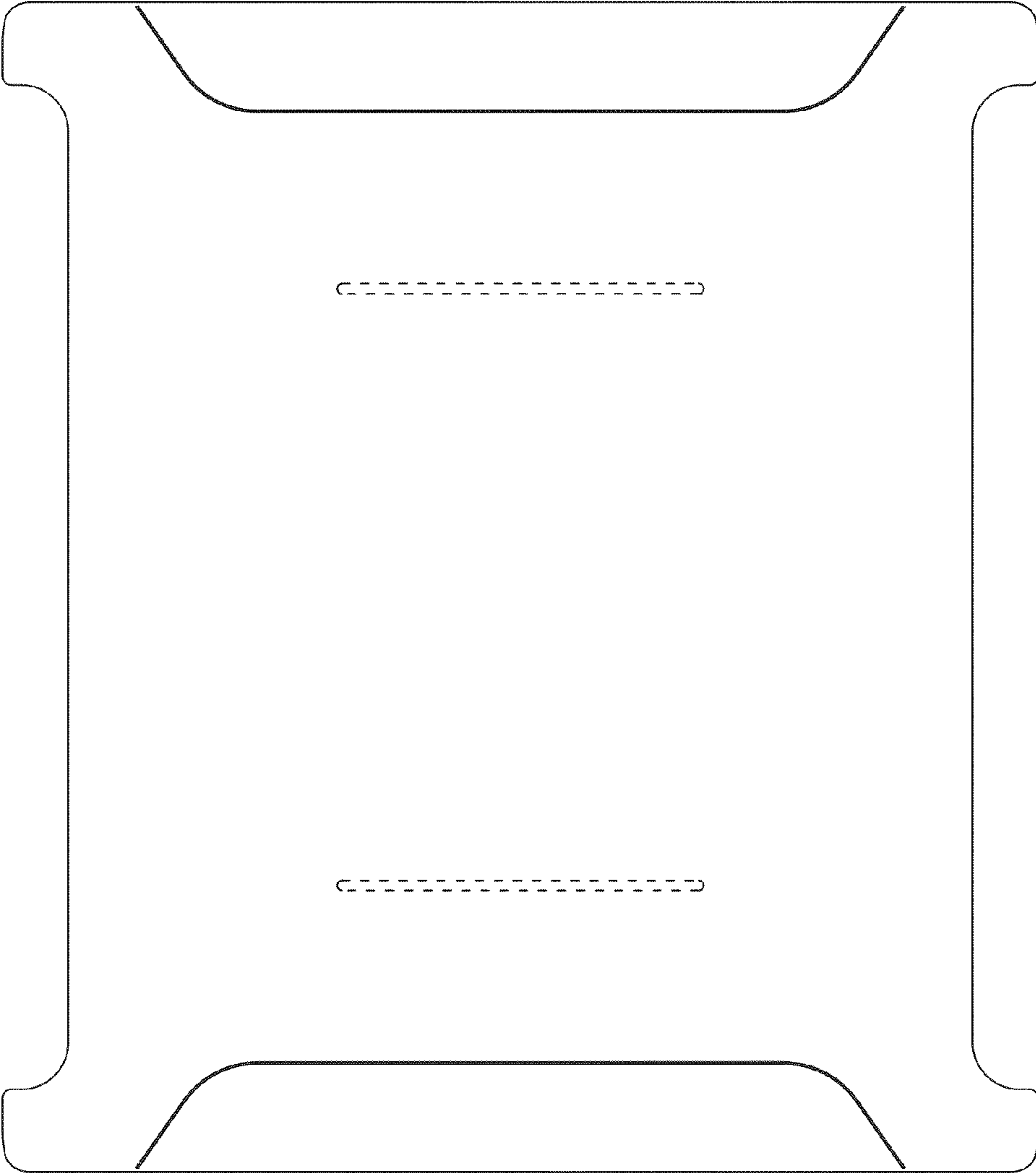


FIG. 5

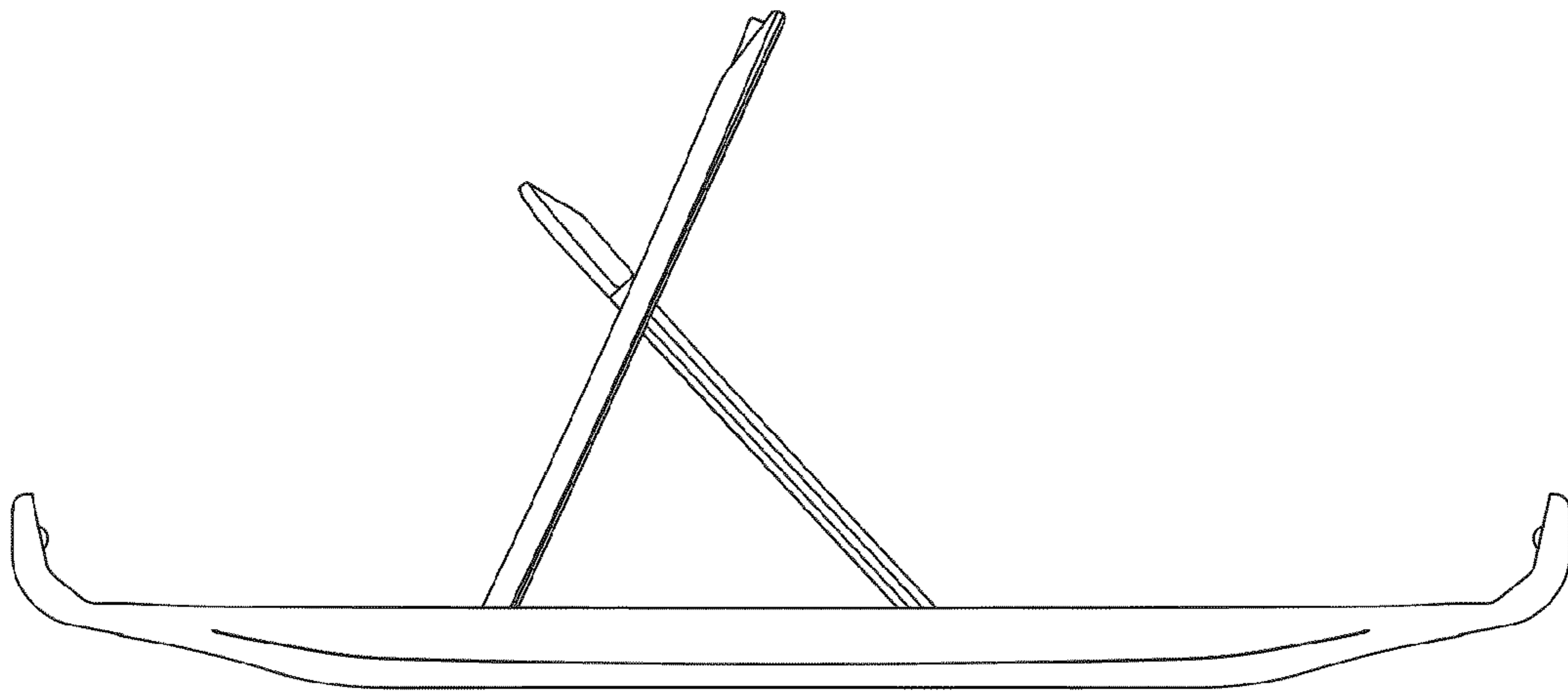


FIG. 6

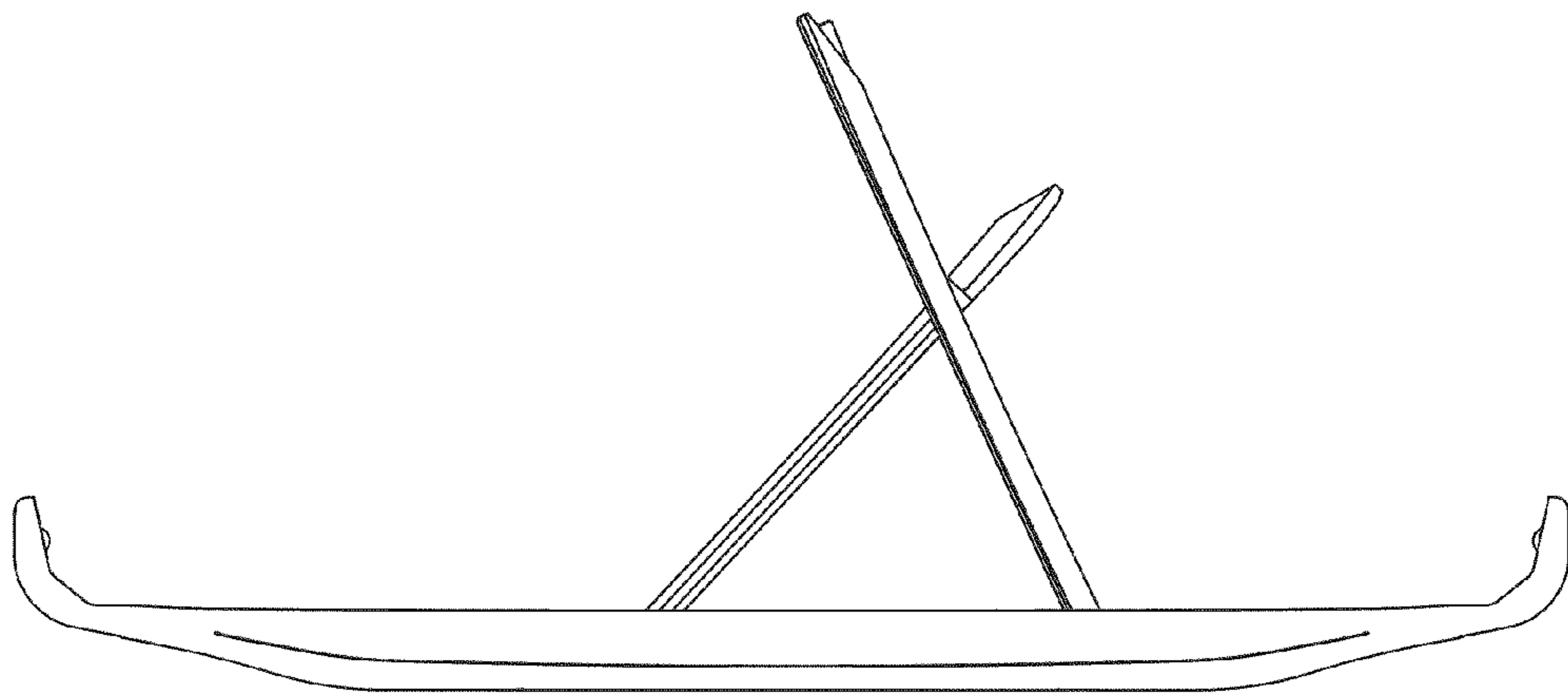


FIG. 7

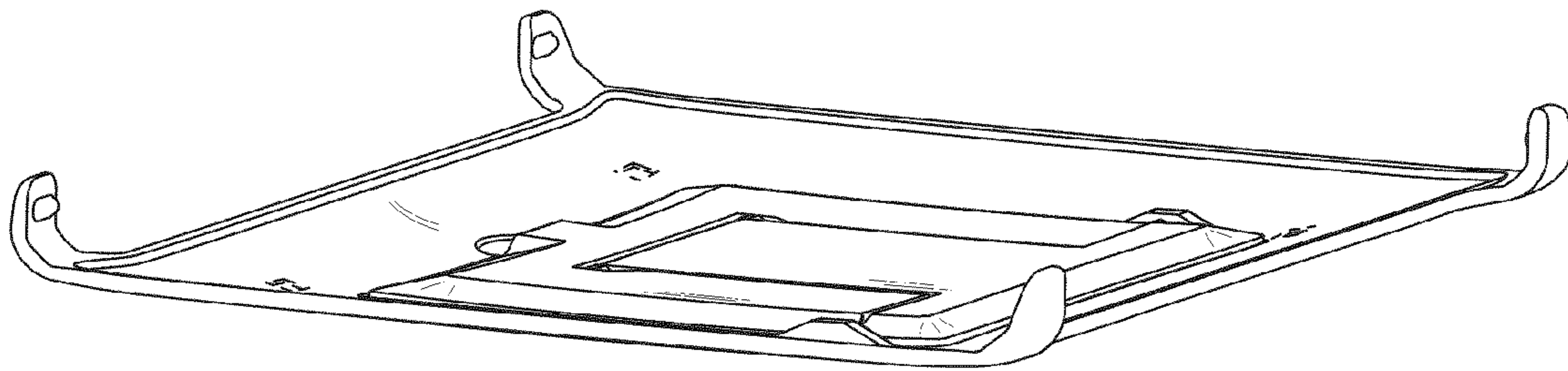


FIG. 8