



US00D626960S

(12) **United States Design Patent**
Sato et al.

(10) **Patent No.:** **US D626,960 S**
(45) **Date of Patent:** **** Nov. 9, 2010**

(54) **DISPLAY**
(75) Inventors: **Yasuki Sato**, Minato-ku (JP); **Kenichi Hasegawa**, Minato-ku (JP); **Naoto Fukasawa**, Setagaya-ku (JP)

(73) Assignee: **NEC Display Solutions, Ltd.**, Tokyo (JP)

(**) Term: **14 Years**

(21) Appl. No.: **29/330,972**

(22) Filed: **Jan. 16, 2009**

(30) **Foreign Application Priority Data**

Jul. 25, 2008 (JP) 2008-019191

(51) **LOC (9) Cl.** **14-02**

(52) **U.S. Cl.** **D14/375**

(58) **Field of Classification Search** D14/371–375, D14/125–129; 345/104, 156, 168, 173, 901–905; 348/180, 184, 325, 739; 248/918–924, 146, 248/121, 157, 278.1; 349/1, 2, 11, 62; 341/12; 361/679.06, 679.21

See application file for complete search history.

(56) **References Cited**

U.S. PATENT DOCUMENTS

D424,538 S * 5/2000 Hayashi et al. D14/374
D472,897 S * 4/2003 Park D14/375
D473,869 S * 4/2003 Tai D14/375
D476,333 S * 6/2003 Lee D14/375
D495,706 S * 9/2004 Lin et al. D14/374

6,837,469 B2 * 1/2005 Wu et al. 248/278.1
7,014,154 B2 * 3/2006 Jeong et al. 248/157
7,072,175 B2 * 7/2006 Ho 361/679.21
D540,321 S * 4/2007 Hasegawa et al. D14/375
D554,120 S * 10/2007 Hasegawa et al. D14/375
D578,530 S * 10/2008 Hasegawa et al. D14/375
2003/0058372 A1 * 3/2003 Williams et al. 348/836
2004/0113031 A1 * 6/2004 Sung 248/146

* cited by examiner

Primary Examiner—Freda S Nunn

(74) *Attorney, Agent, or Firm*—Sughrue Mion, PLLC

(57) **CLAIM**

The ornamental design for a display, as shown and described.

DESCRIPTION

FIG. 1 is a front, right side, top perspective view of a display showing our new design;

FIG. 2 is a front elevational view thereof;

FIG. 3 is a rear elevational view thereof;

FIG. 4 is a left side view thereof;

FIG. 5 is a right side view thereof;

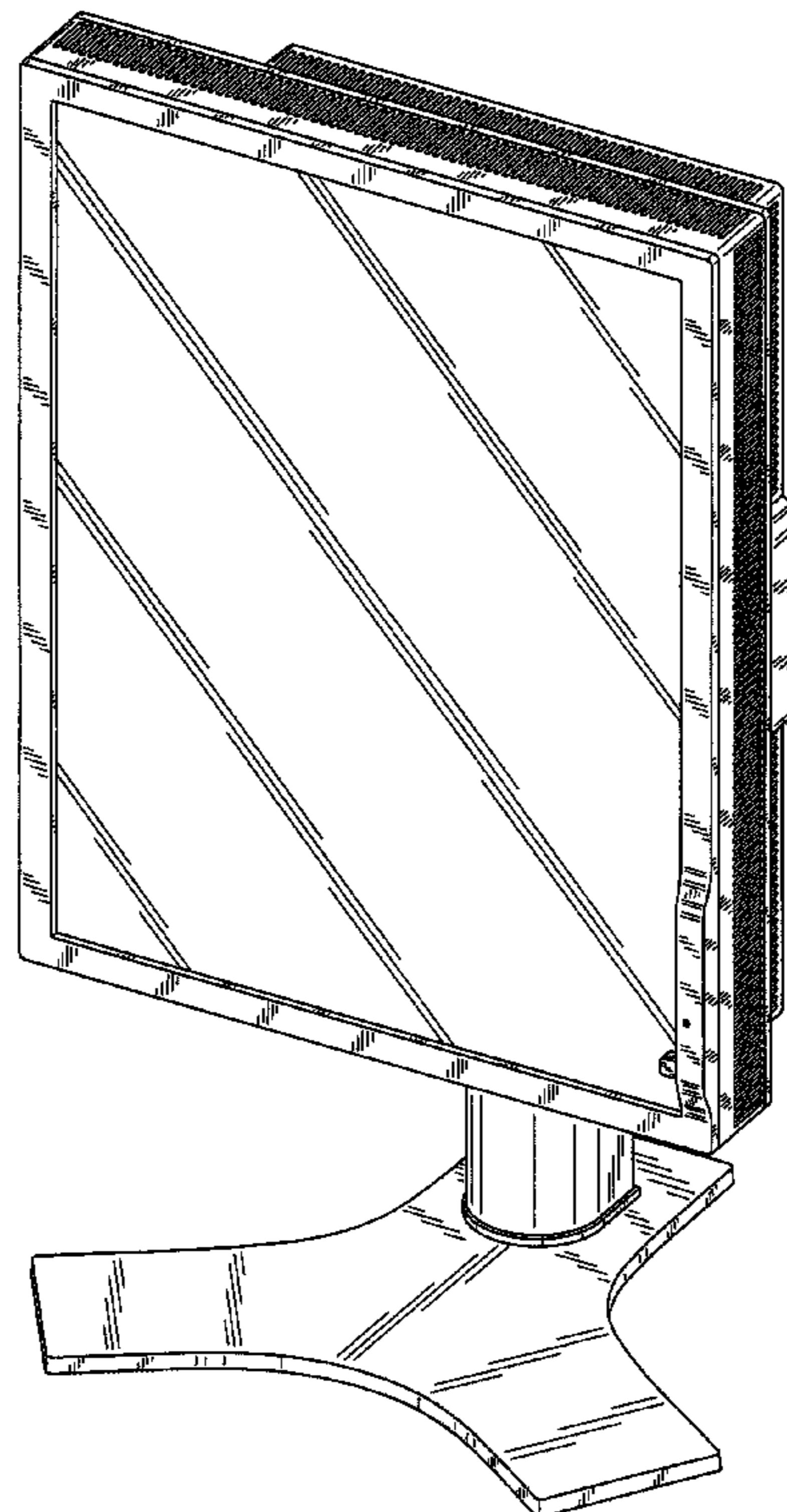
FIG. 6 is a top plan view thereof;

FIG. 7 is a bottom plan view thereof;

FIG. 8 is a perspective view thereof showing a state in which the display portion is rotated; and,

FIG. 9 is an enlarged partial view thereof, taken along line 9—9 of FIG. 2.

1 Claim, 9 Drawing Sheets



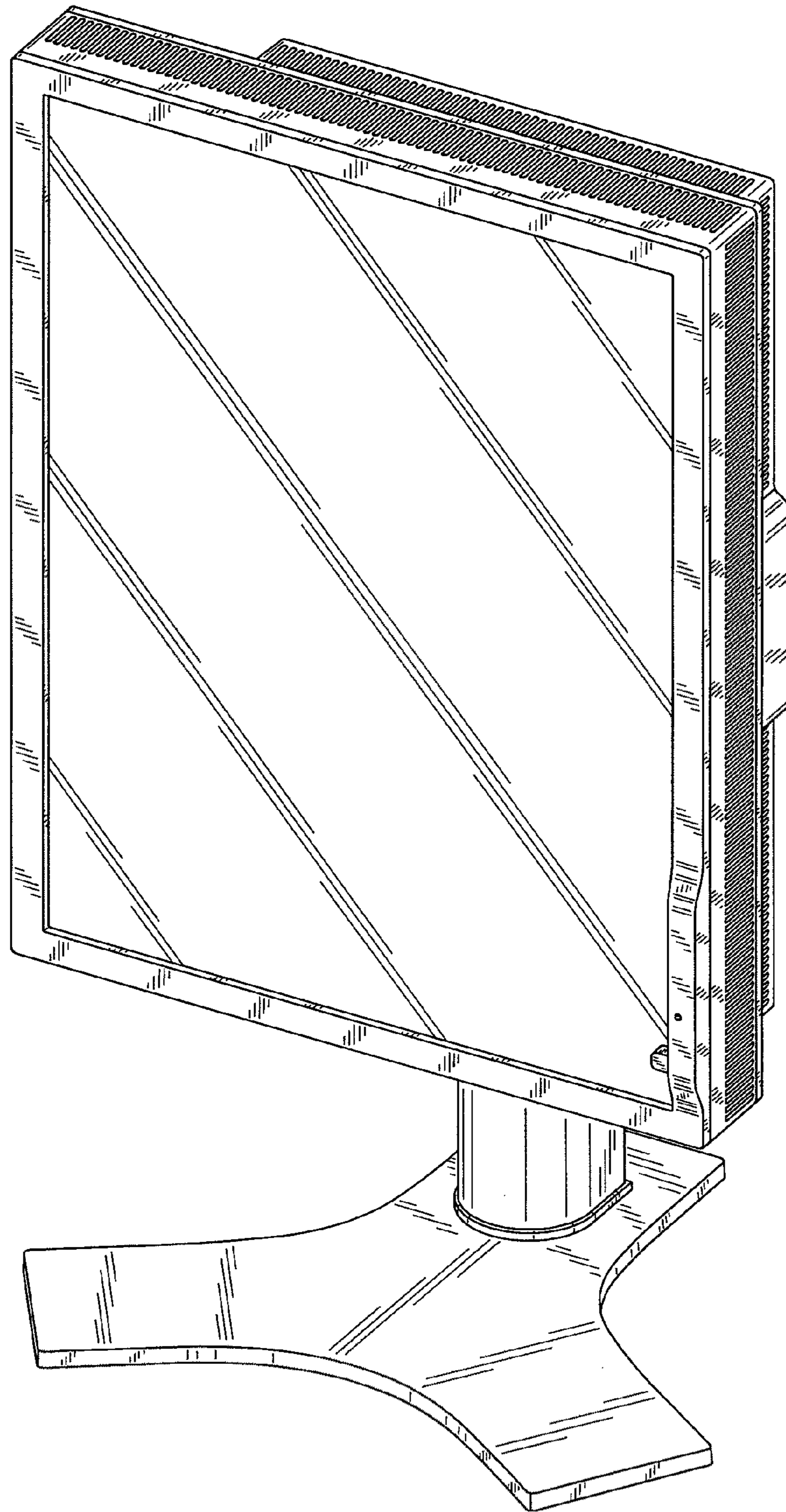


FIG. 1

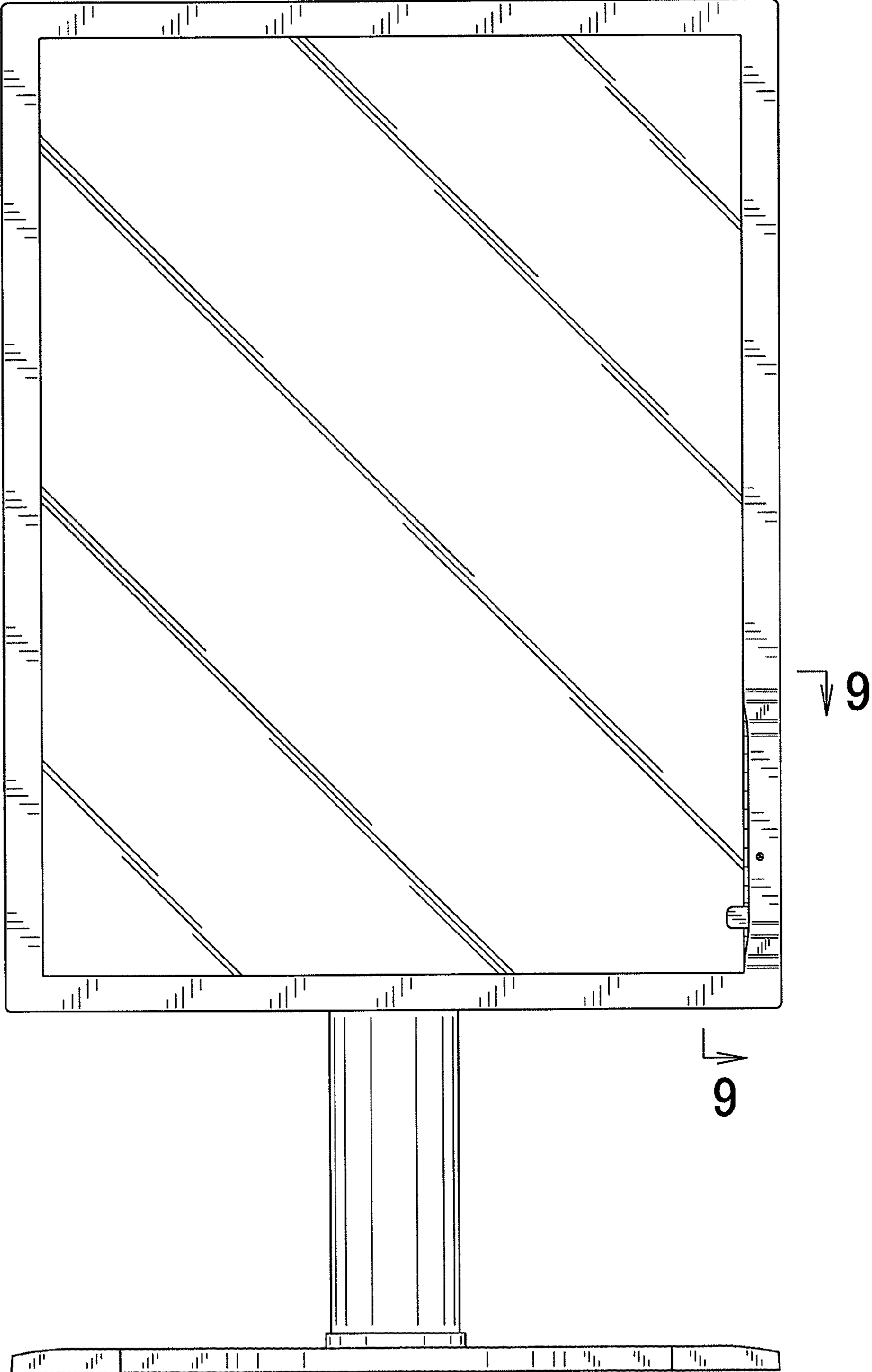


FIG. 2

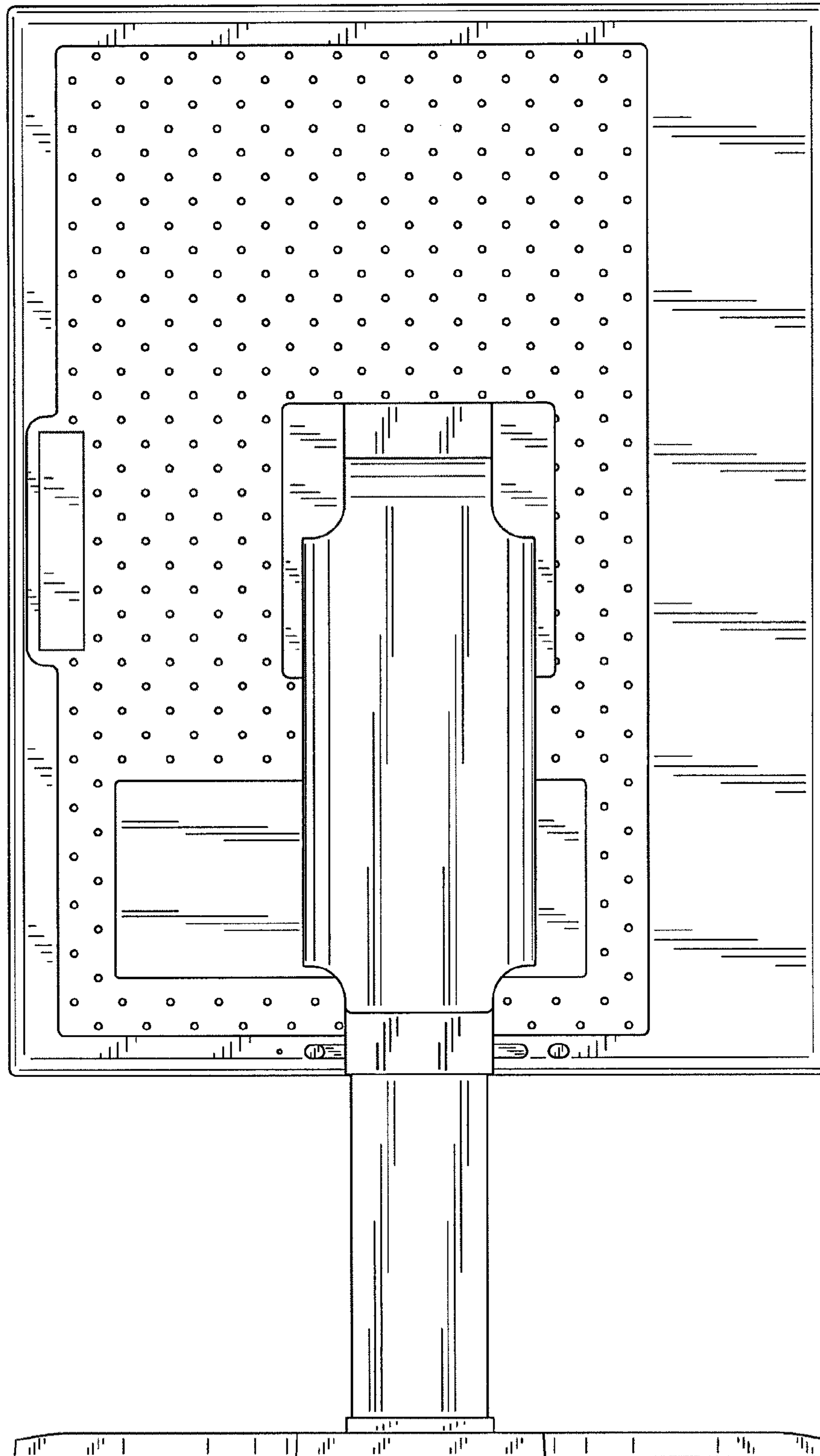


FIG. 3

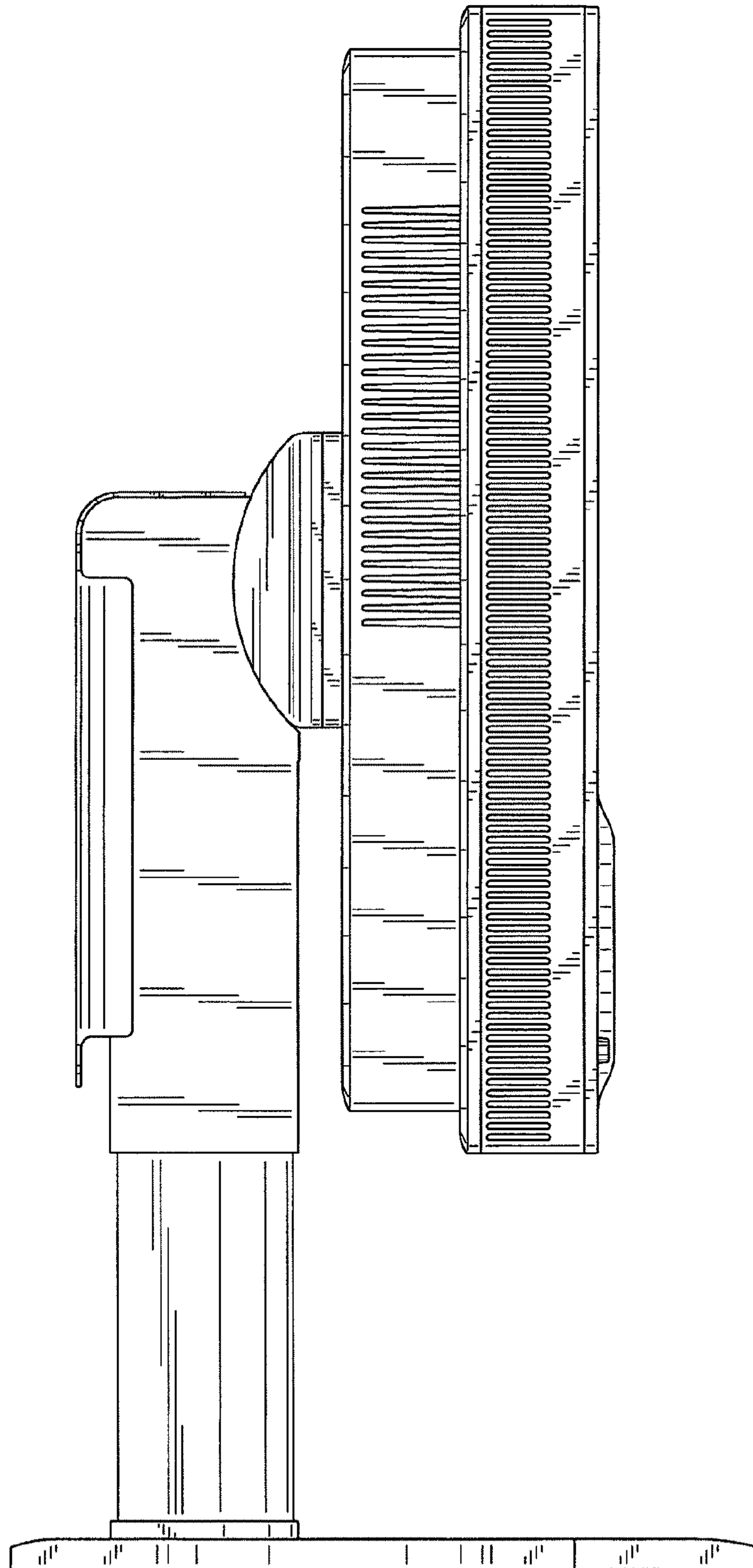


FIG. 4

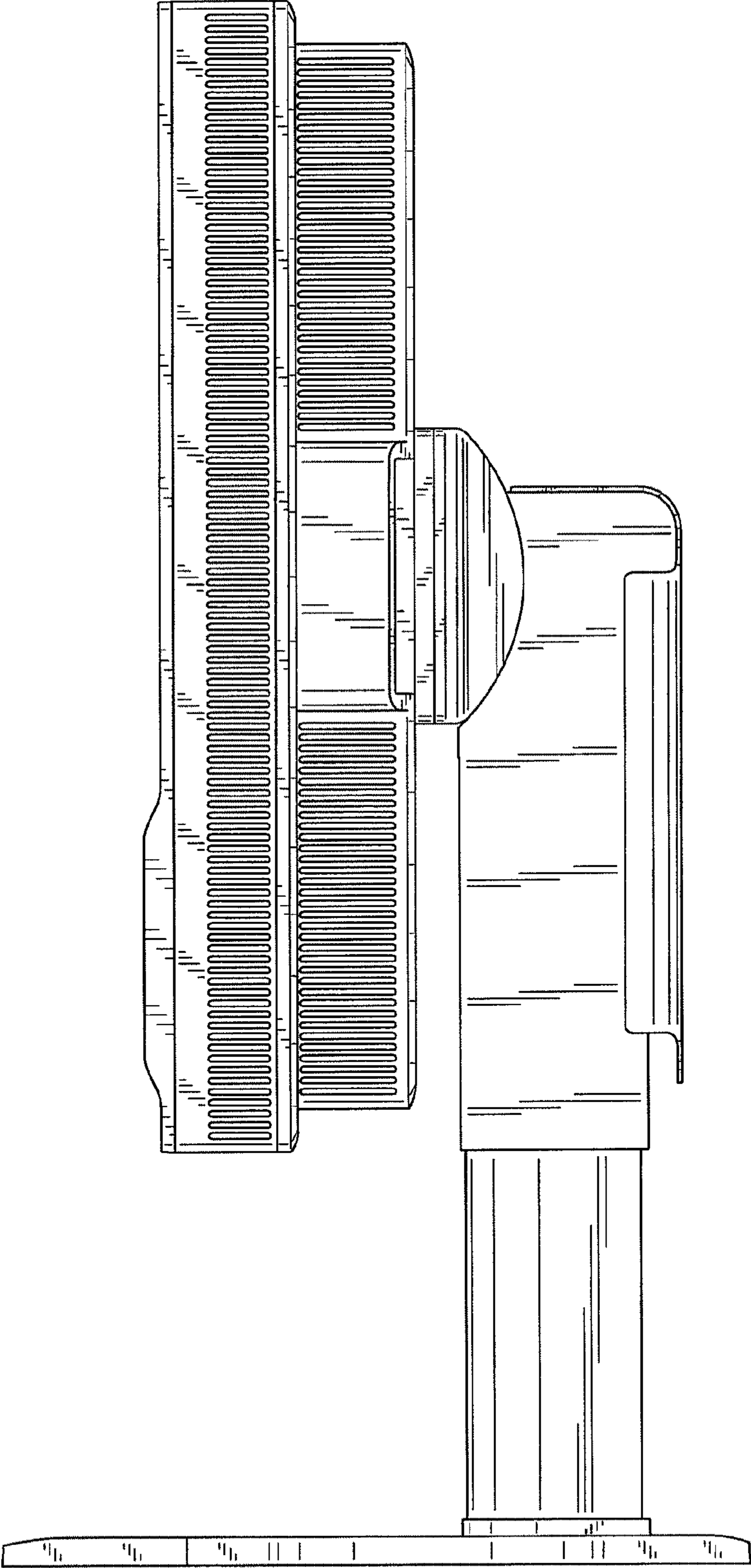


FIG. 5

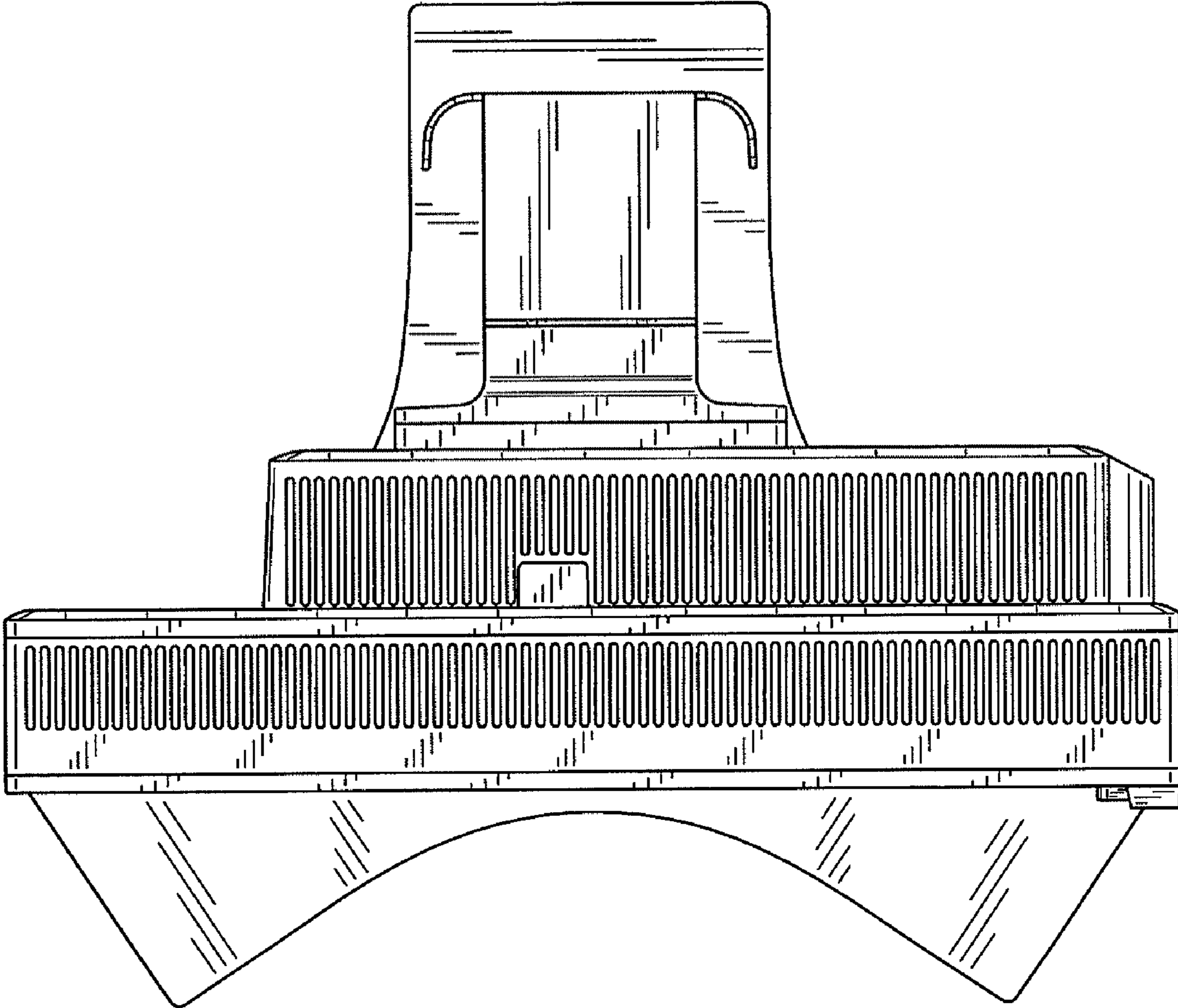


FIG. 6

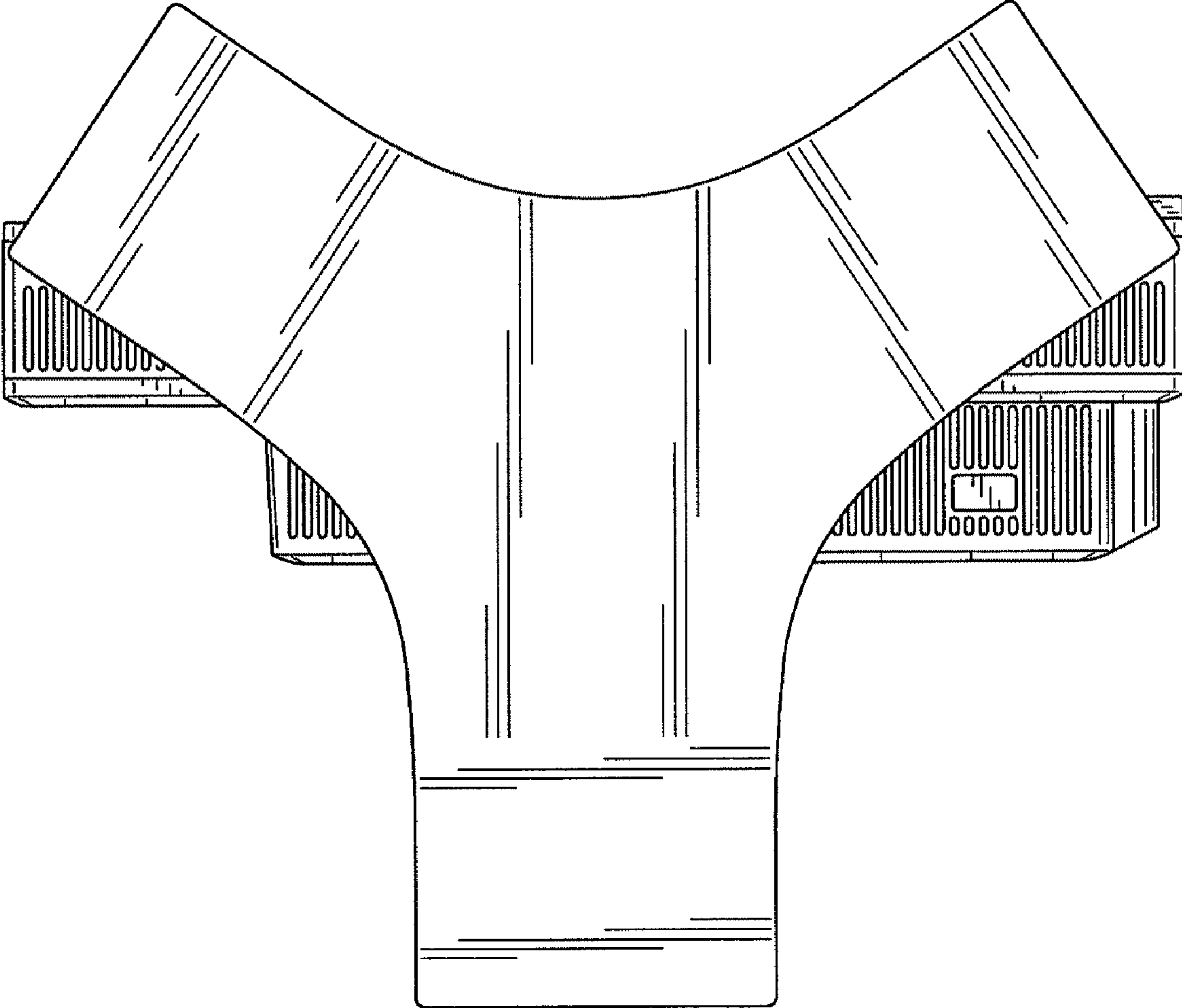


FIG. 7

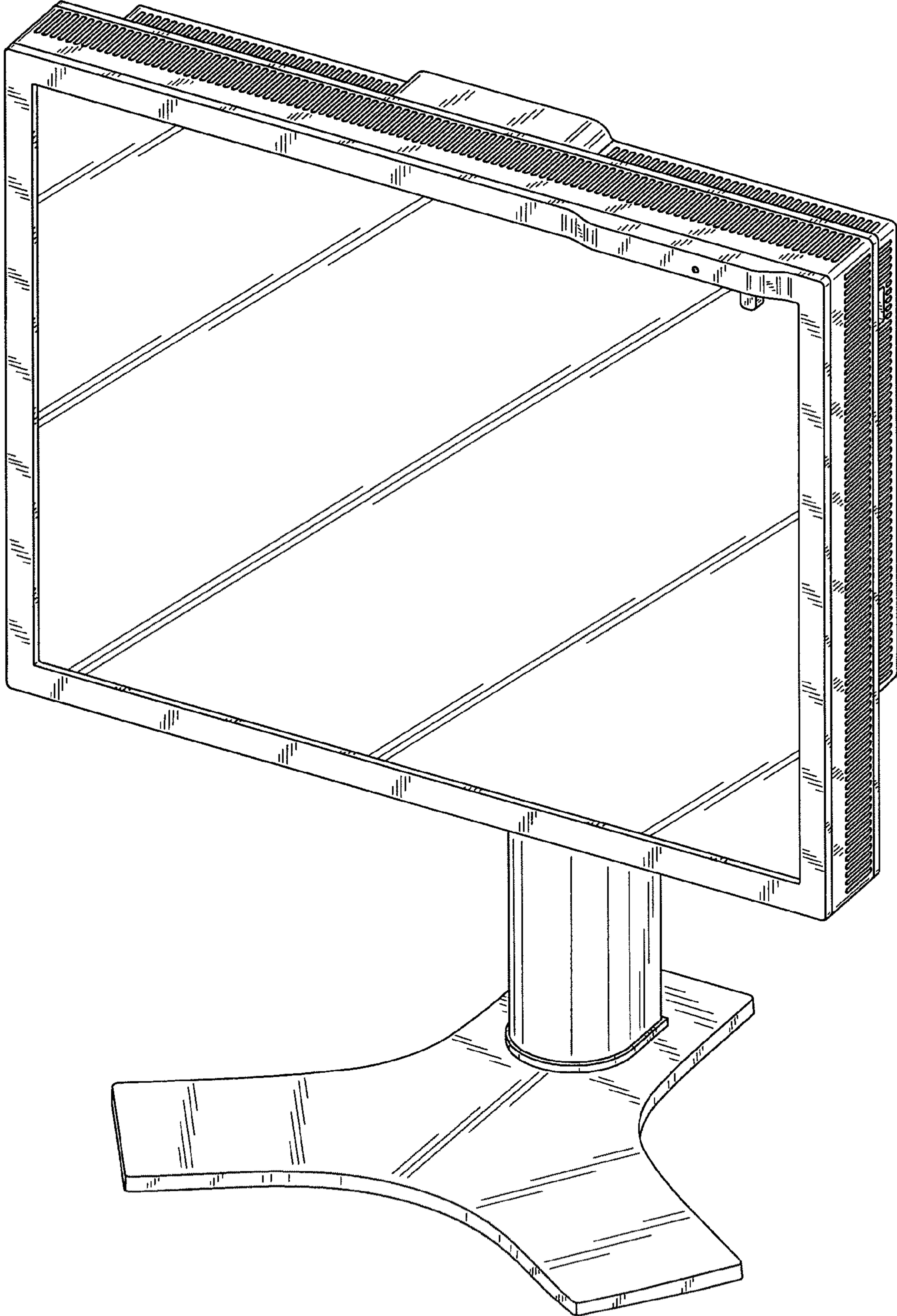


FIG. 8

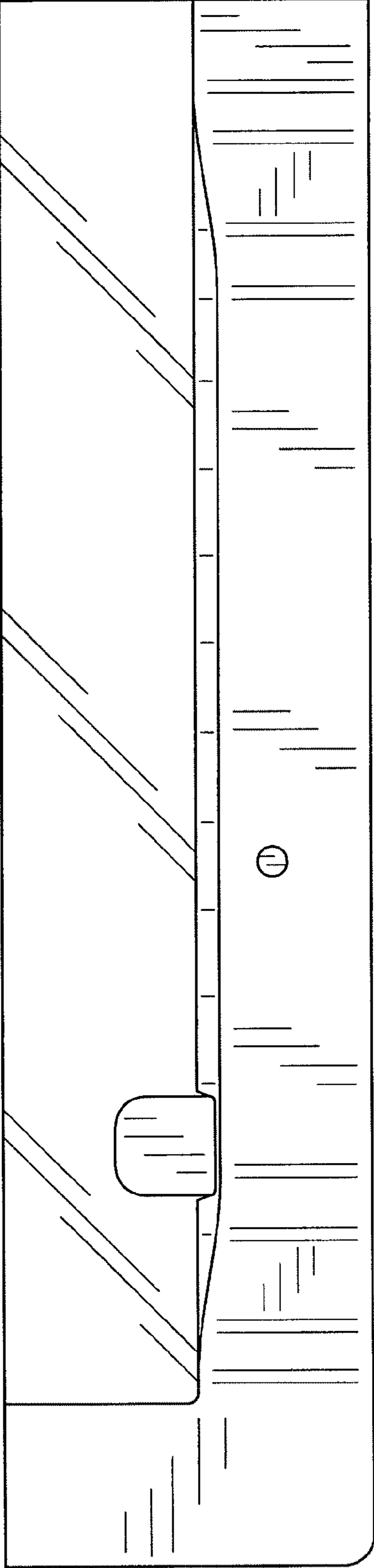


FIG. 9