



US00D626952S

(12) **United States Design Patent**
Ding

(10) **Patent No.:** **US D626,952 S**
(45) **Date of Patent:** **** Nov. 9, 2010**

(54) **USB MODEM**

(75) Inventor: **Feng Ding**, Shenzhen (CN)

(73) Assignee: **Huawei Device Co., Ltd.**, Shenzhen (CN)

(**) Term: **14 Years**

(21) Appl. No.: **29/323,538**

(22) Filed: **Aug. 27, 2008**

(30) **Foreign Application Priority Data**

Apr. 17, 2008 (CN) 200830106419

(51) **LOC (9) Cl.** **14-01**

(52) **U.S. Cl.** **D14/242**

(58) **Field of Classification Search** D14/137,
D14/140-140.9, 155, 167, 188, 204, 205,
D14/207, 210, 215, 218, 230-237, 240, 242,
D14/302, 314, 132-134, 348-358, 363, 383,
D14/433, 435.1, 496; D13/149, 184, 137.1-139.8,
D13/110, 144; 711/100, 115; 361/685, 725,
361/752; 369/272.1, 273, 75.11; 360/133,
360/79.01, 97.03; 379/220.01, 221.09, 220.14,
379/25, 93.09, 93.19, 156, 900, 338-339,
379/441

See application file for complete search history.

(56) **References Cited**

U.S. PATENT DOCUMENTS

D303,771 S * 10/1989 Chan D10/40

D455,405 S * 4/2002 Bonn D13/158
D465,214 S * 11/2002 Mirabelli et al. D14/230
D483,281 S * 12/2003 Cobigo D10/104
D496,031 S * 9/2004 Ma et al. D14/240
D526,960 S * 8/2006 Kobayashi et al. D13/110
D561,730 S * 2/2008 Deubler et al. D14/138 AA
D572,230 S * 7/2008 Neu et al. D14/155
D576,611 S * 9/2008 Wilson et al. D14/225
7,558,069 B2 * 7/2009 Chung 361/737

* cited by examiner

Primary Examiner—Charles A Rademaker

Assistant Examiner—Charles D Hanson

(74) *Attorney, Agent, or Firm*—Slater & Matsil, L.L.P.

(57) **CLAIM**

The ornamental design for a USB modem, as shown and described.

DESCRIPTION

FIG. 1 is a bottom view of a USB modem;

FIG. 2 is a right side view thereof;

FIG. 3 is a front view thereof;

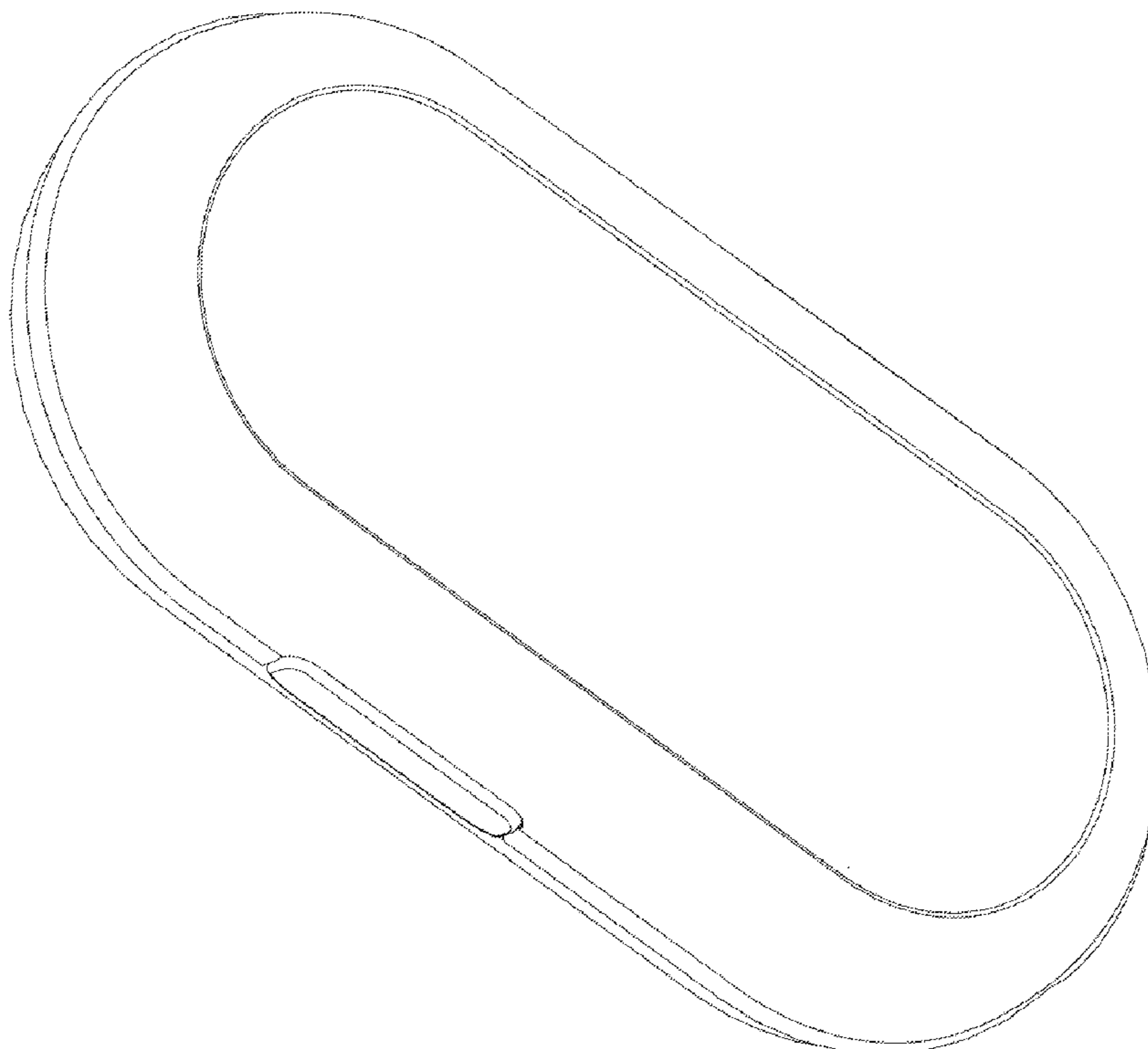
FIG. 4 is a back view thereof;

FIG. 5 is a left side view thereof;

FIG. 6 is a top view thereof; and,

FIG. 7 is a front perspective view thereof.

1 Claim, 7 Drawing Sheets



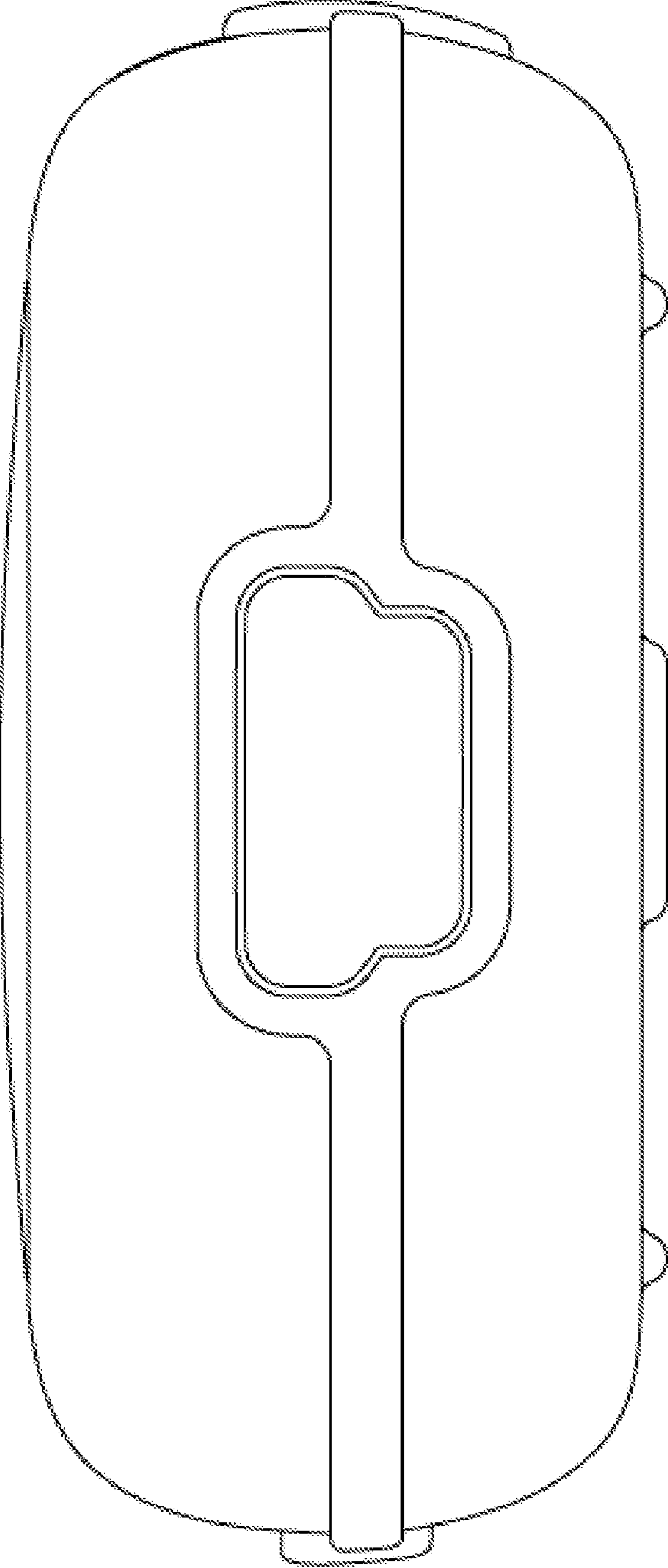


FIG. 1

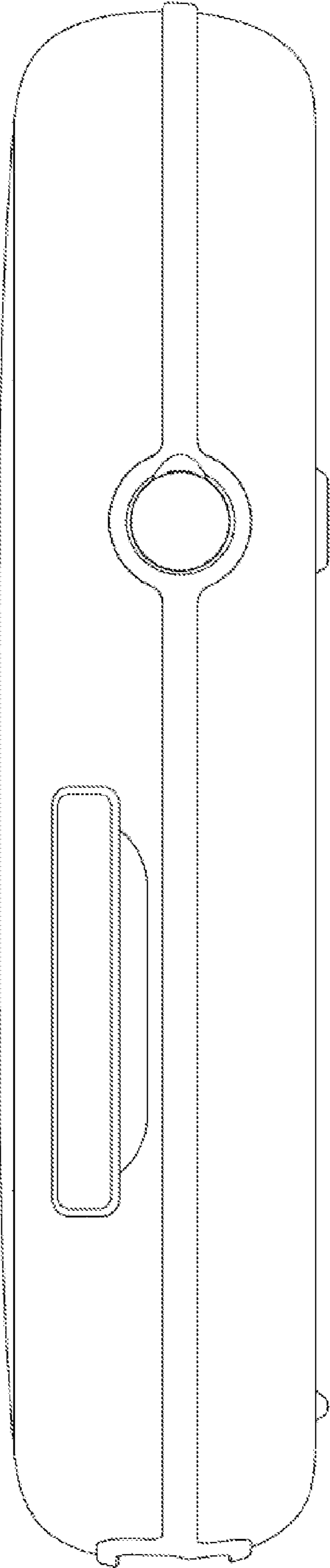


FIG. 2

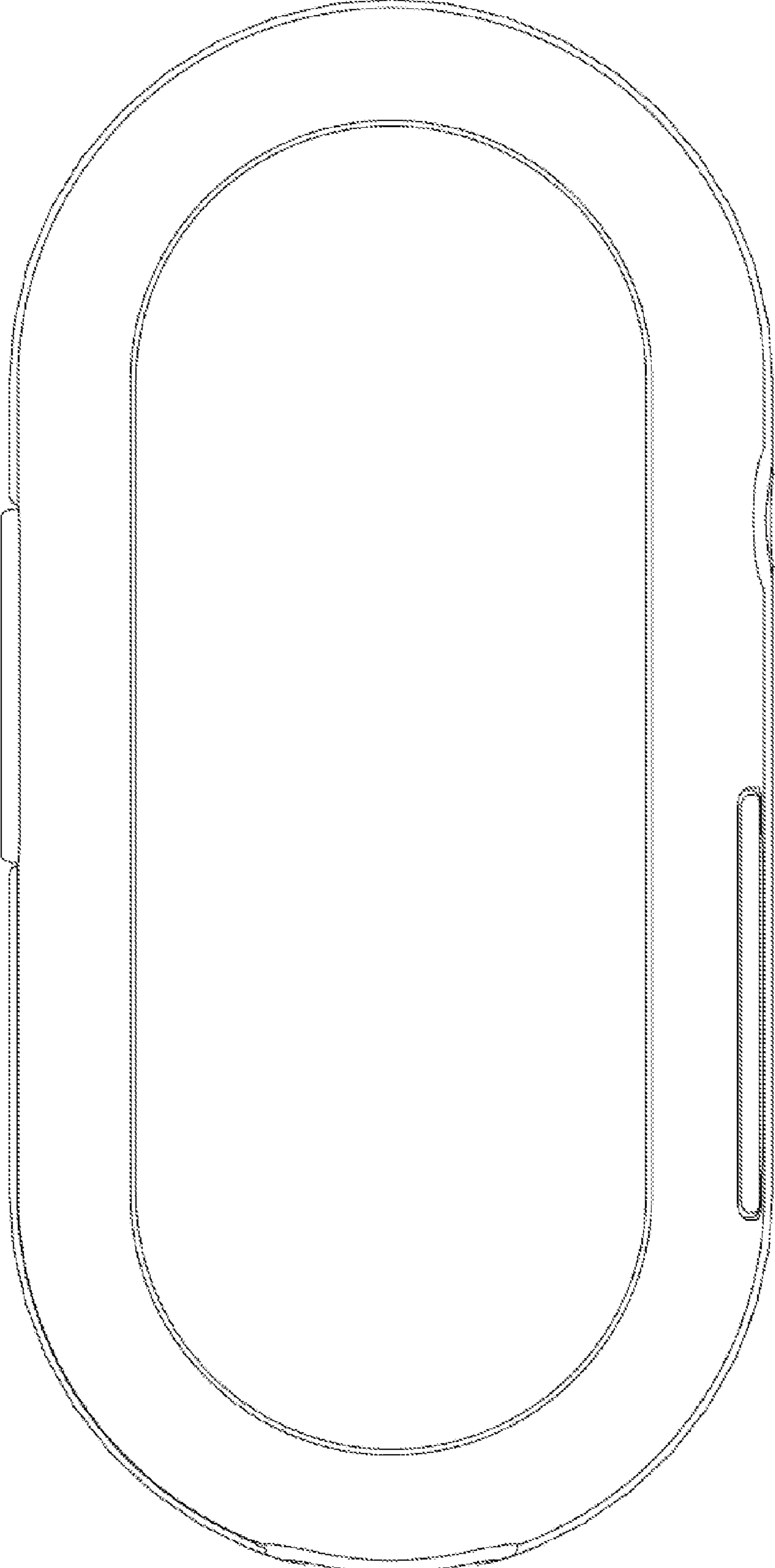


FIG. 3

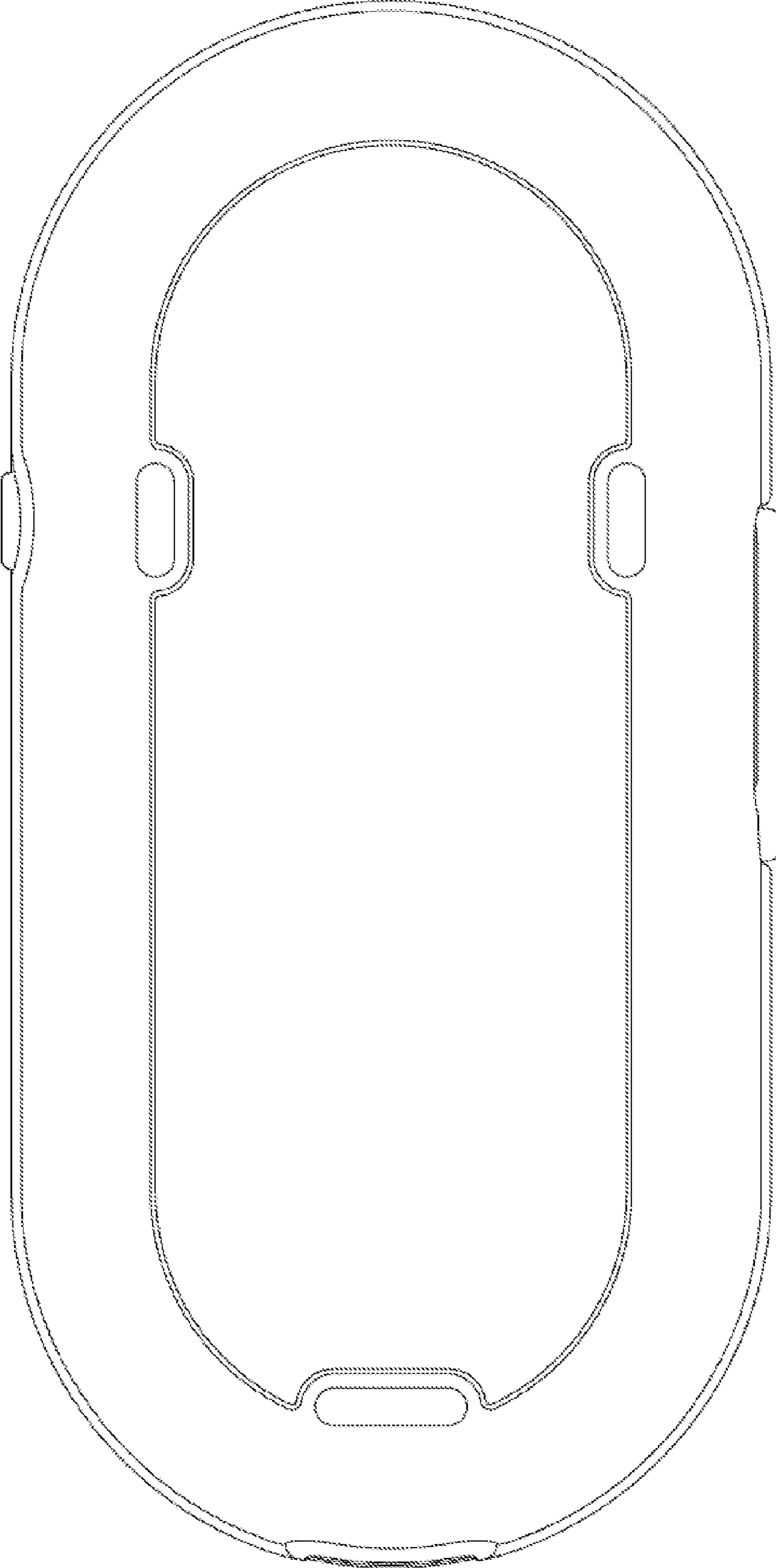


FIG. 4

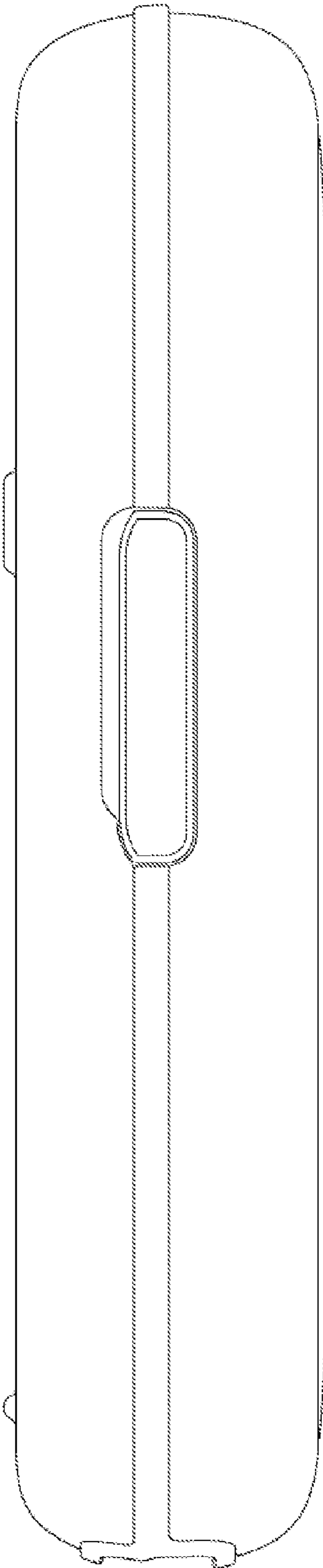


FIG. 5

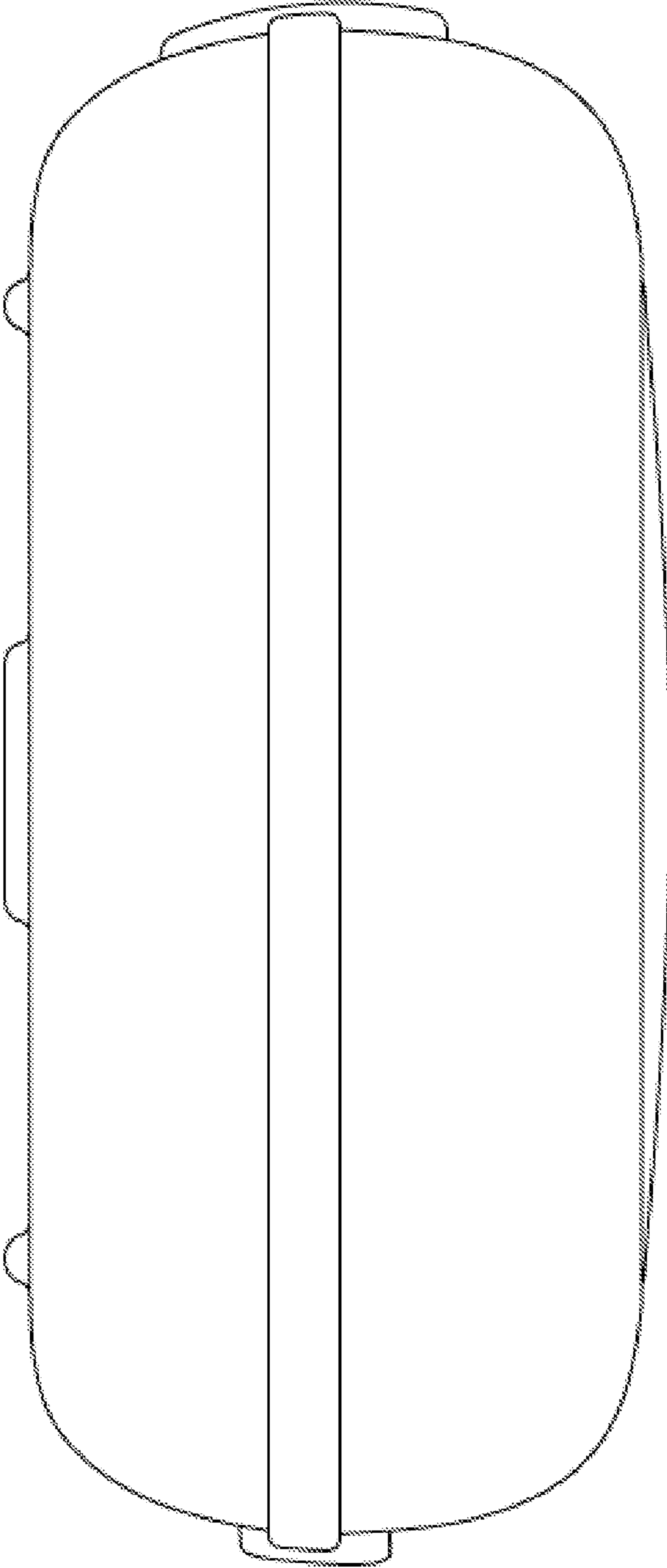


FIG. 6

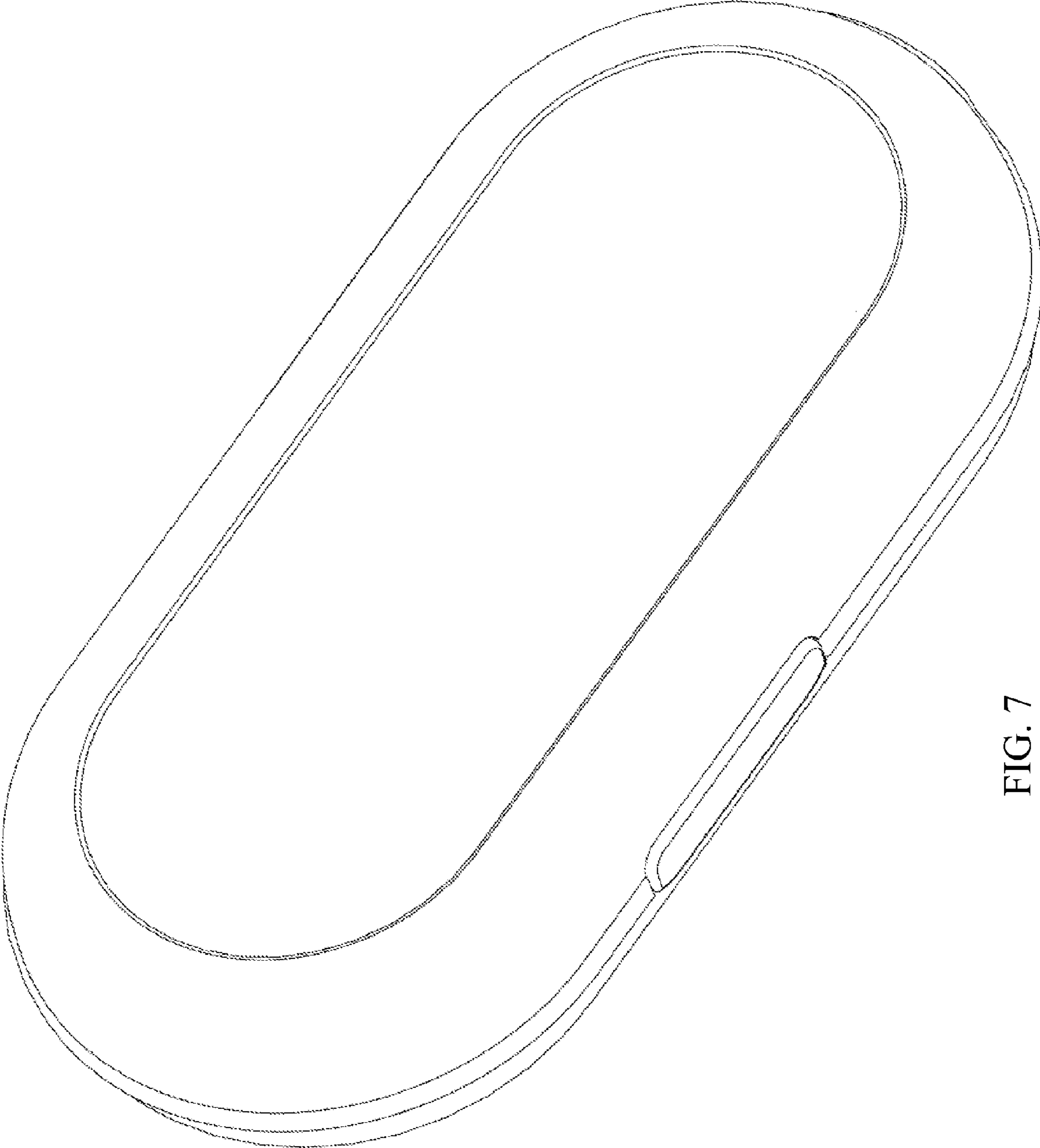


FIG. 7