



US00D626942S

(12) **United States Design Patent**  
**Aquillano et al.**

(10) **Patent No.:** **US D626,942 S**  
(45) **Date of Patent:** **\*\* Nov. 9, 2010**

(54) **REMOTE CONTROL**

(75) Inventors: **Samuel J. Aquillano**, Watertown, MA (US); **John Michael Sakalowsky**, West Newton, MA (US); **Julie E. Tierney**, Shrewsbury, MA (US)

(73) Assignee: **Bose Corporation**, Framington, MA (US)

(\*\*) Term: **14 Years**

(21) Appl. No.: **29/361,387**

(22) Filed: **May 11, 2010**

(51) **LOC (9) Cl.** ..... **14-03**

(52) **U.S. Cl.** ..... **D14/218**

(58) **Field of Classification Search** ..... D14/174, D14/137-139, 151, 217, 218, 191-193, 167, D14/299, 168, 247, 455, 456; D13/168, D13/162-164; D21/512-517, 566; D10/104, D10/106; 345/169; 348/114, 734; 455/352-355, 455/151.1-151.4, 128, 347, 90.3  
See application file for complete search history.

(56) **References Cited**

**U.S. PATENT DOCUMENTS**

- D346,152 S \* 4/1994 Zaugg ..... D13/168
- D355,895 S \* 2/1995 Soren et al. .... D14/240
- D417,220 S \* 11/1999 Godette et al. .... D14/218
- D418,141 S \* 12/1999 Godette et al. .... D14/218
- D435,580 S 12/2000 Grinkus
- D486,806 S \* 2/2004 Takayama et al. .... D14/137

- D518,475 S \* 4/2006 Yang et al. .... D14/218
- D531,136 S \* 10/2006 Schoenert et al. .... D13/168
- D538,788 S 3/2007 Reimann et al.
- D549,185 S \* 8/2007 Tan ..... D13/168
- D551,215 S 9/2007 Lee, Jr. et al.
- D571,790 S \* 6/2008 Yoshitake et al. .... D14/218
- D577,713 S \* 9/2008 Kim et al. .... D14/218
- D586,677 S \* 2/2009 Nothacker et al. .... D10/78
- D599,768 S \* 9/2009 Kim et al. .... D14/138 AD
- D606,046 S \* 12/2009 Bradford et al. .... D14/218
- D614,604 S \* 4/2010 Hoehn et al. .... D14/218
- 2005/0030196 A1 \* 2/2005 Harris et al. .... 340/825.69

\* cited by examiner

*Primary Examiner*—Celia A. Murphy  
*Assistant Examiner*—John Windmuller

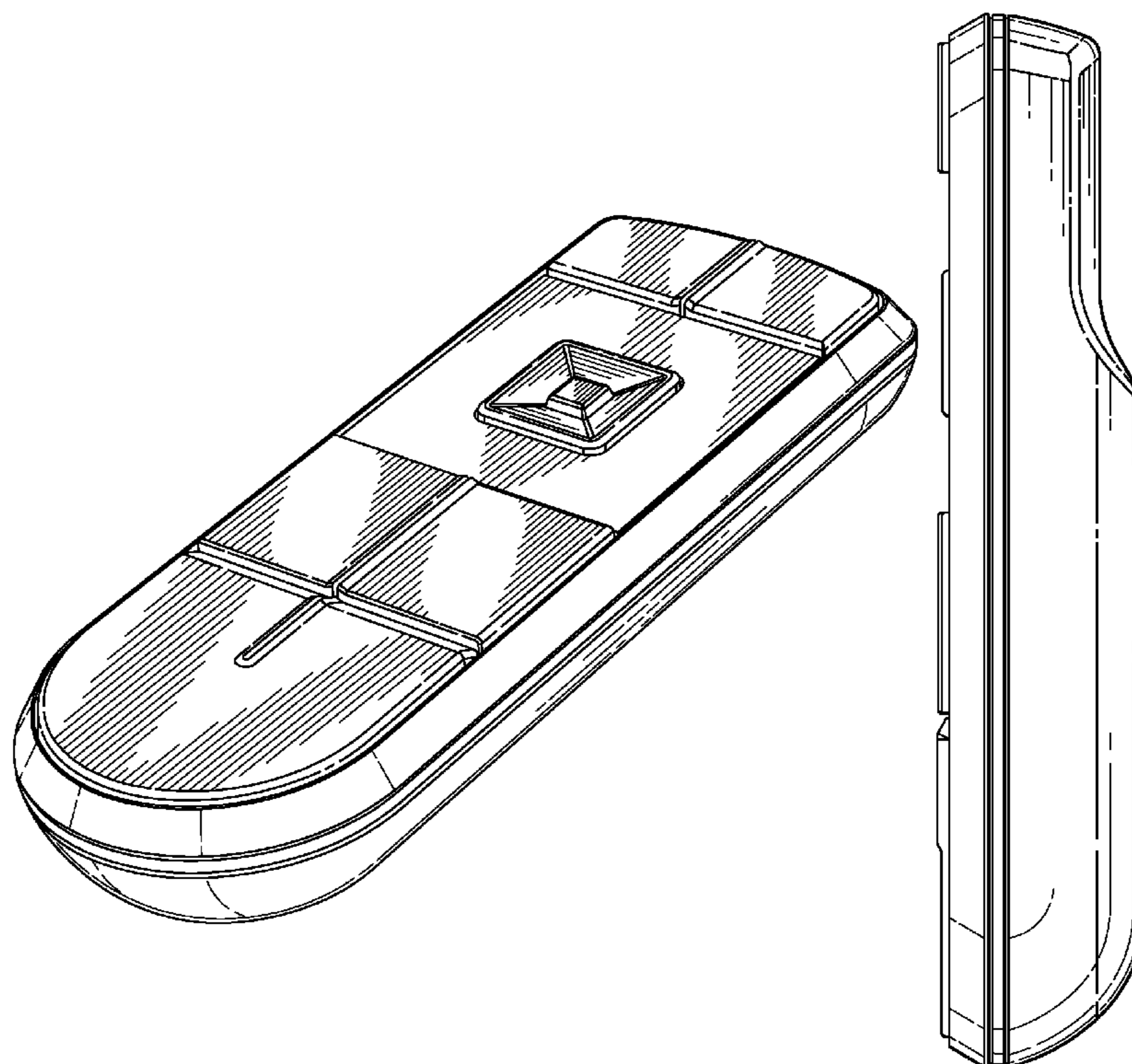
(57) **CLAIM**

The ornamental design for a remote control, substantially as shown and described.

**DESCRIPTION**

FIG. 1 is a perspective view of a remote control as seen from the front, top and right side;  
FIG. 2 is a top view thereof;  
FIG. 3 is a bottom view thereof;  
FIG. 4 is a right side view thereof; the left side view is a mirror image of the right side view;  
FIG. 5 is a rear view thereof; and,  
FIG. 6 is a front view thereof.

**1 Claim, 5 Drawing Sheets**



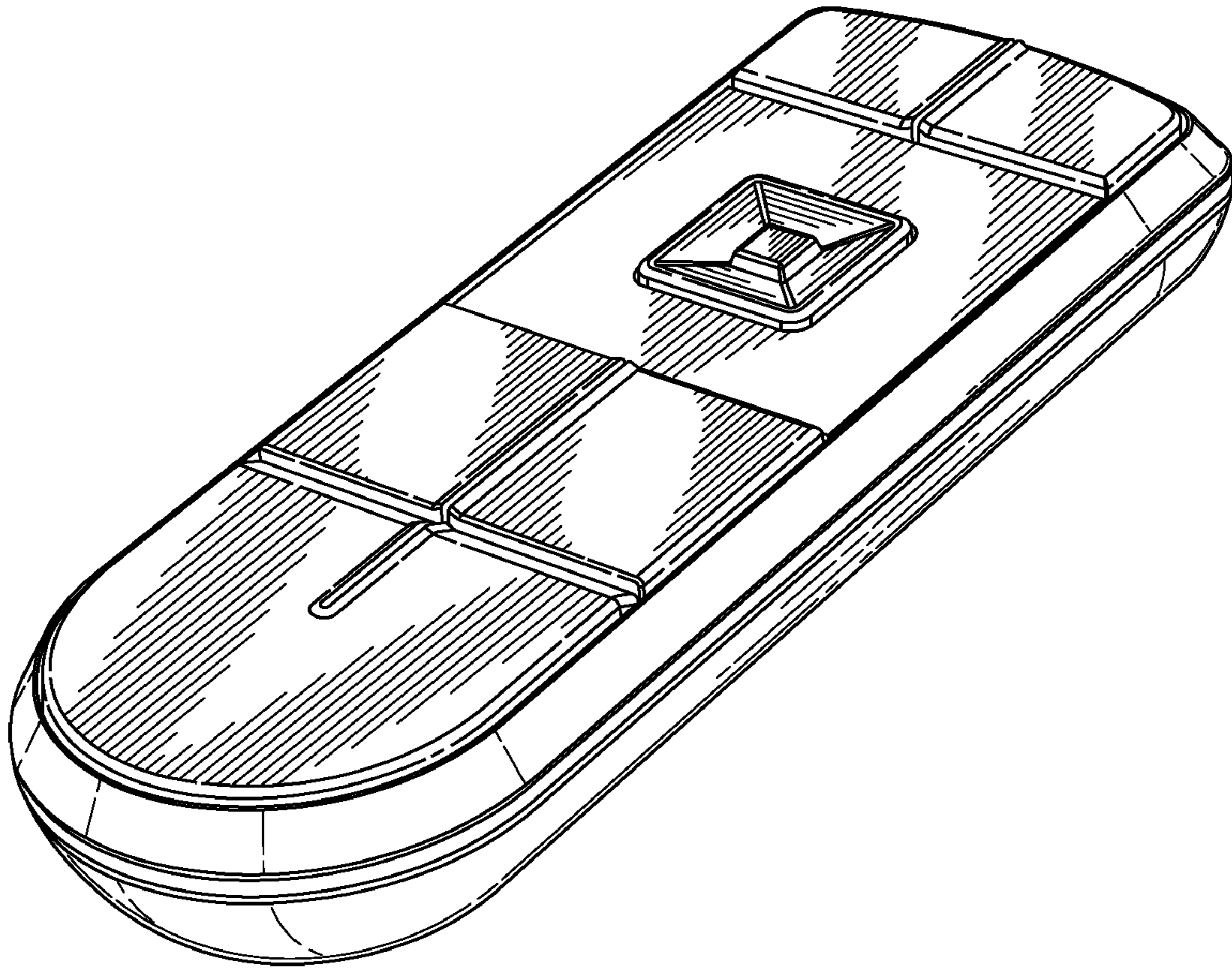


FIG. 1

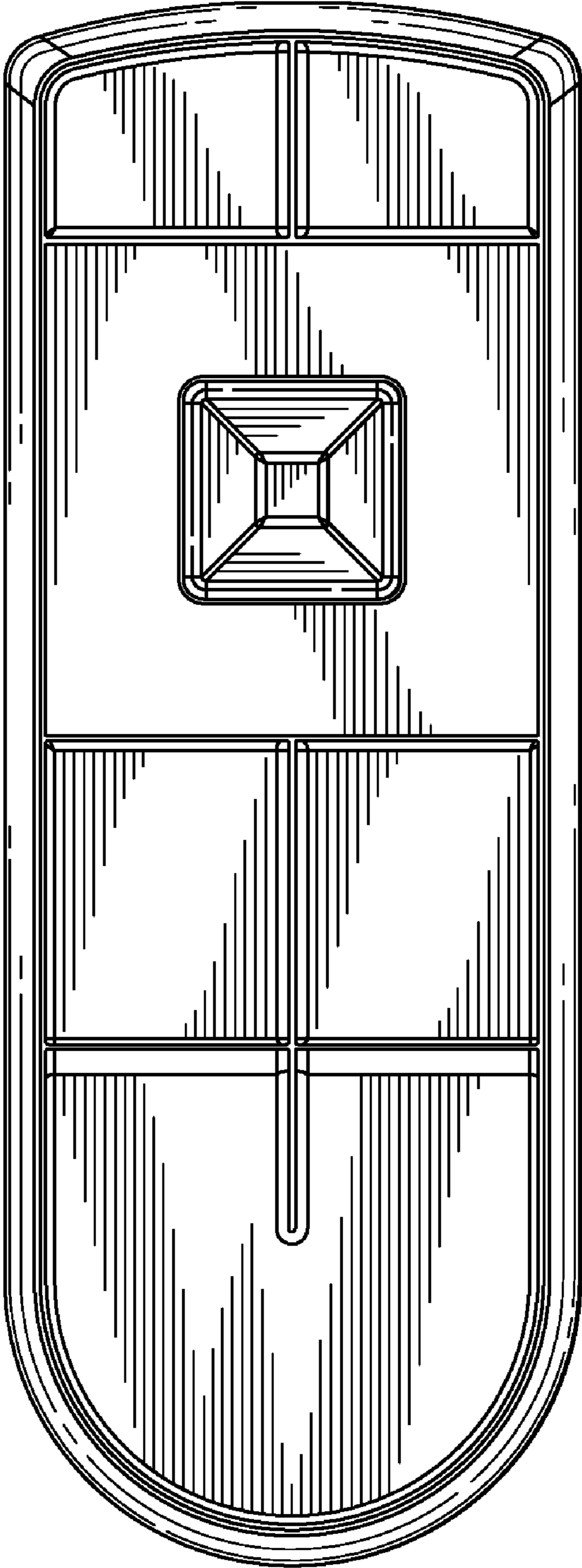


FIG. 2

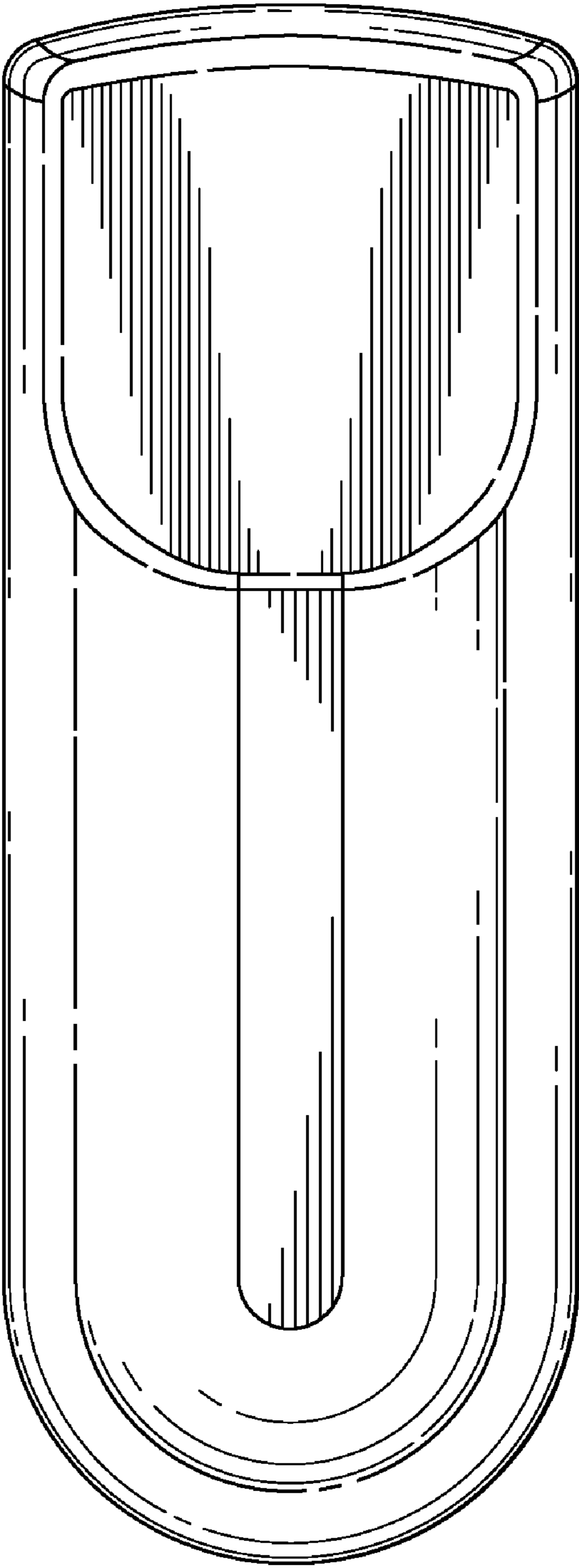


FIG. 3



FIG. 4

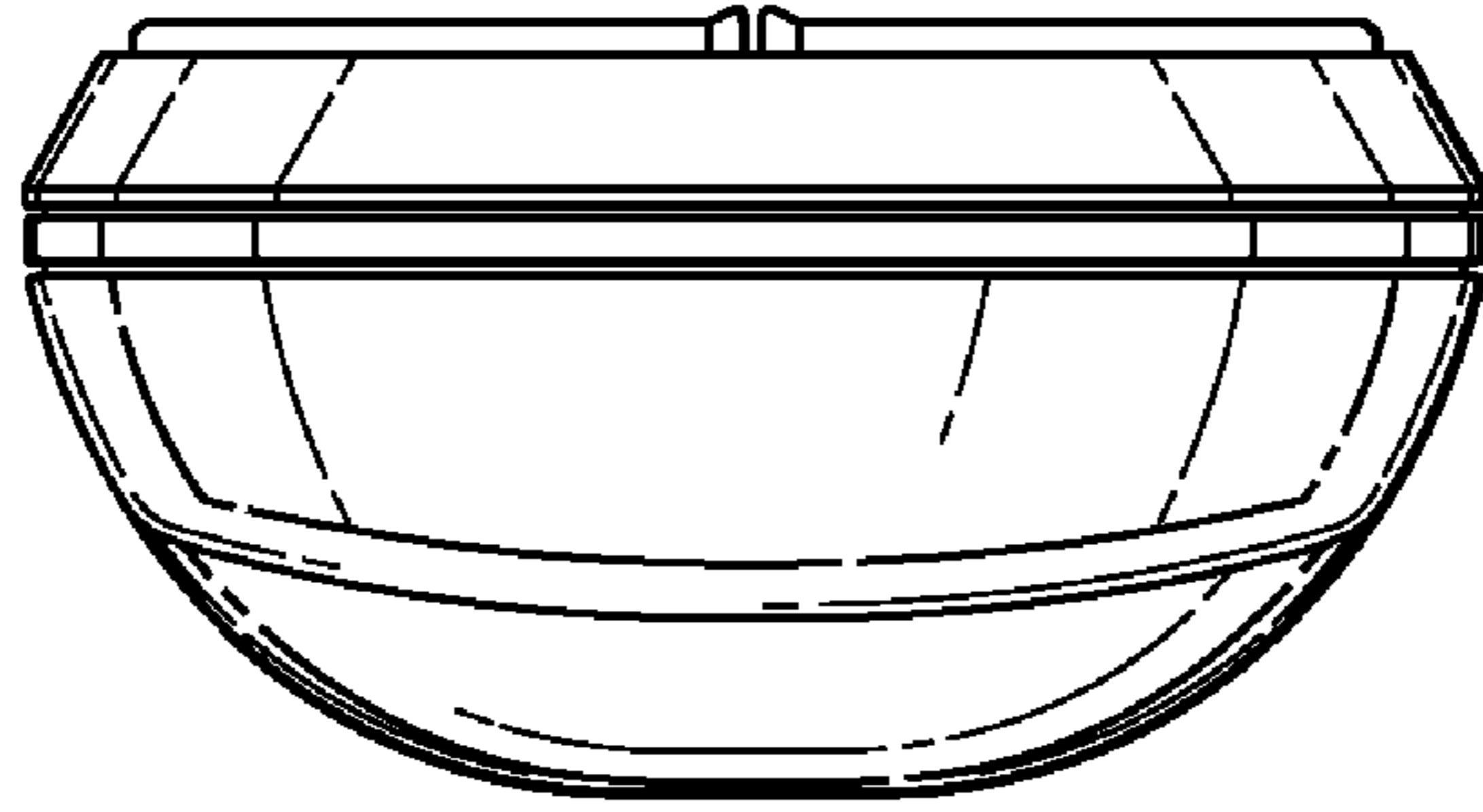


FIG. 5

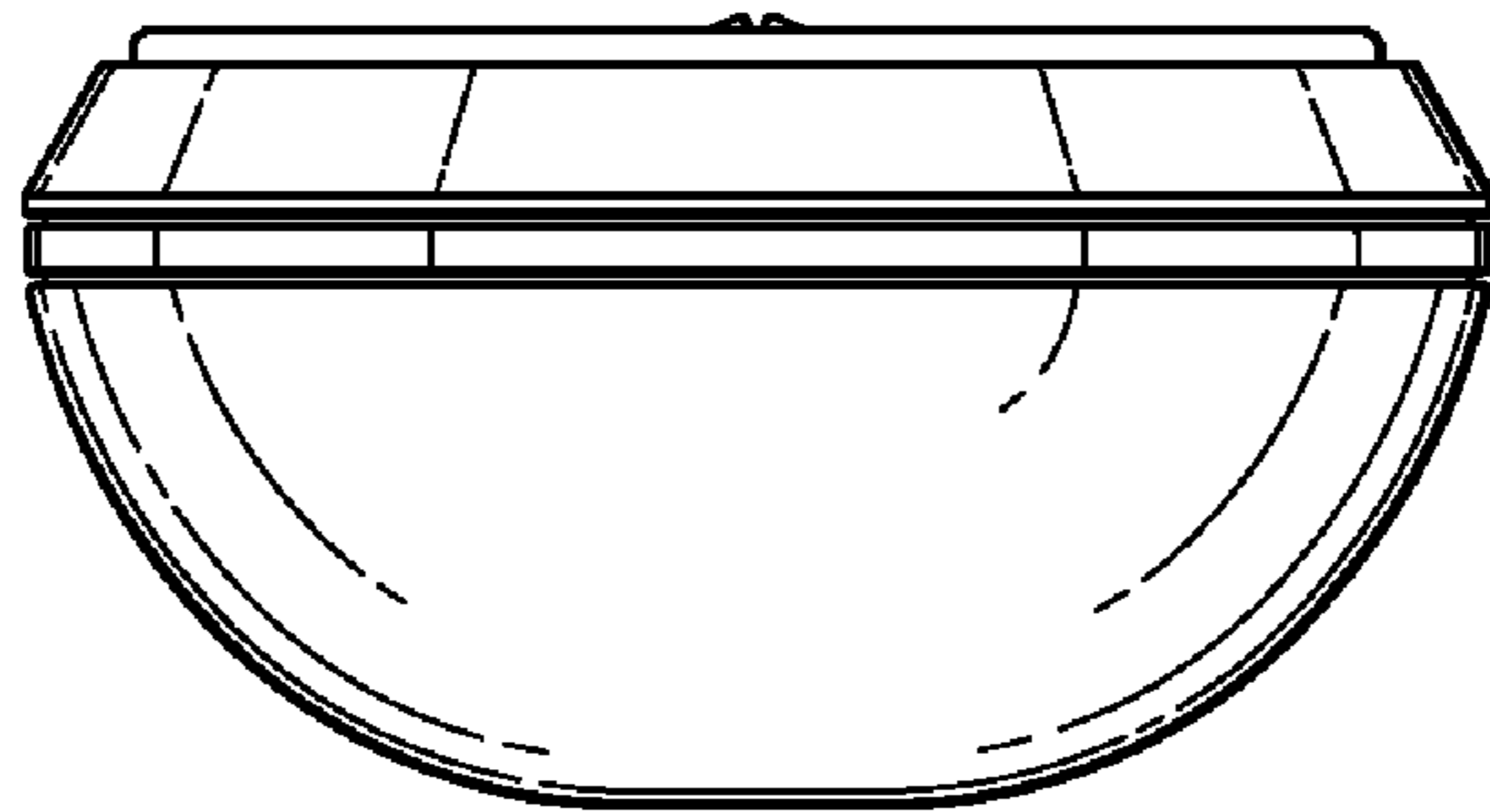


FIG. 6