



US00D626941S

(12) **United States Design Patent**  
**Andre et al.**

(10) **Patent No.:** **US D626,941 S**  
(45) **Date of Patent:** **\*\* Nov. 9, 2010**

(54) **DOCK INSERT**

(75) Inventors: **Bartley K. Andre**, Menlo Park, CA (US); **Daniel J. Coster**, San Francisco, CA (US); **Daniele De Iuliis**, San Francisco, CA (US); **Richard P. Howarth**, San Francisco, CA (US); **Jonathan P. Ive**, San Francisco, CA (US); **Duncan Robert Kerr**, San Francisco, CA (US); **Shin Nishibori**, Portola Valley, CA (US); **Matthew Dean Rohrbach**, San Francisco, CA (US); **Peter Russell-Clarke**, San Francisco, CA (US); **Douglas B. Satzger**, Menlo Park, CA (US); **Calvin Q. Seid**, Palo Alto, CA (US); **Vincent Keane Seid**, legal representative, Los Gatos, CA (US); **Christopher J. Stringer**, Woodside, CA (US); **Eugene Antony Whang**, San Francisco, CA (US); **Rico Zorkendorfer**, San Francisco, CA (US)

(73) Assignee: **Apple Inc.**, Cupertino, CA (US)

(\*\*) Term: **14 Years**

(21) Appl. No.: **29/340,843**

(22) Filed: **Jul. 27, 2009**

**Related U.S. Application Data**

(63) Continuation of application No. 29/319,055, filed on Jun. 3, 2008, now Pat. No. Des. 597,079, which is a continuation of application No. 29/281,495, filed on Jun. 25, 2007, now Pat. No. Des. 570,335.

(51) **LOC (9) Cl.** ..... **14-03**

(52) **U.S. Cl.** ..... **D14/217**

(58) **Field of Classification Search** ..... D14/142, D14/149, 155, 157, 188, 191-193, 203.1-203.8, D14/217, 251, 253, 432-435.1, 447, 451, D14/496, 474, 480.1-480.7; D13/107, 108, D13/118; D3/218; 248/221.11, 309.1; 320/107, 320/110, 113-115; 361/600; 439/529, 534; 455/556.1-556.2, 557

See application file for complete search history.

(56) **References Cited**

U.S. PATENT DOCUMENTS

D328,277 S 7/1992 Leman et al.

(Continued)

FOREIGN PATENT DOCUMENTS

KR 3004274430000 10/2006

OTHER PUBLICATIONS

Office Action for Appl. No. KR 096306627, Issued Jan. 6, 2010.

(Continued)

*Primary Examiner*—Stella M Reid

*Assistant Examiner*—Keli L Hill

(74) *Attorney, Agent, or Firm*—Sterne, Kessler, Goldstein & Fox PLLC

(57) **CLAIM**

The ornamental design for a dock insert, as shown and described.

**DESCRIPTION**

FIG. 1 is a front perspective view of a dock insert showing our new design;

FIG. 2 is a front view thereof;

FIG. 3 is a rear view thereof;

FIG. 4 is a left side view thereof;

FIG. 5 is a right side view thereof;

FIG. 6 is a top plan view thereof;

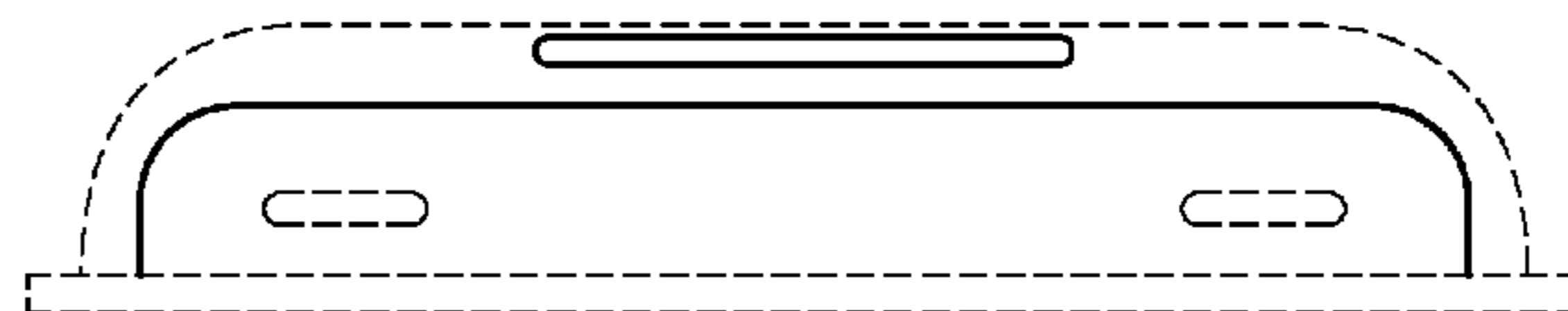
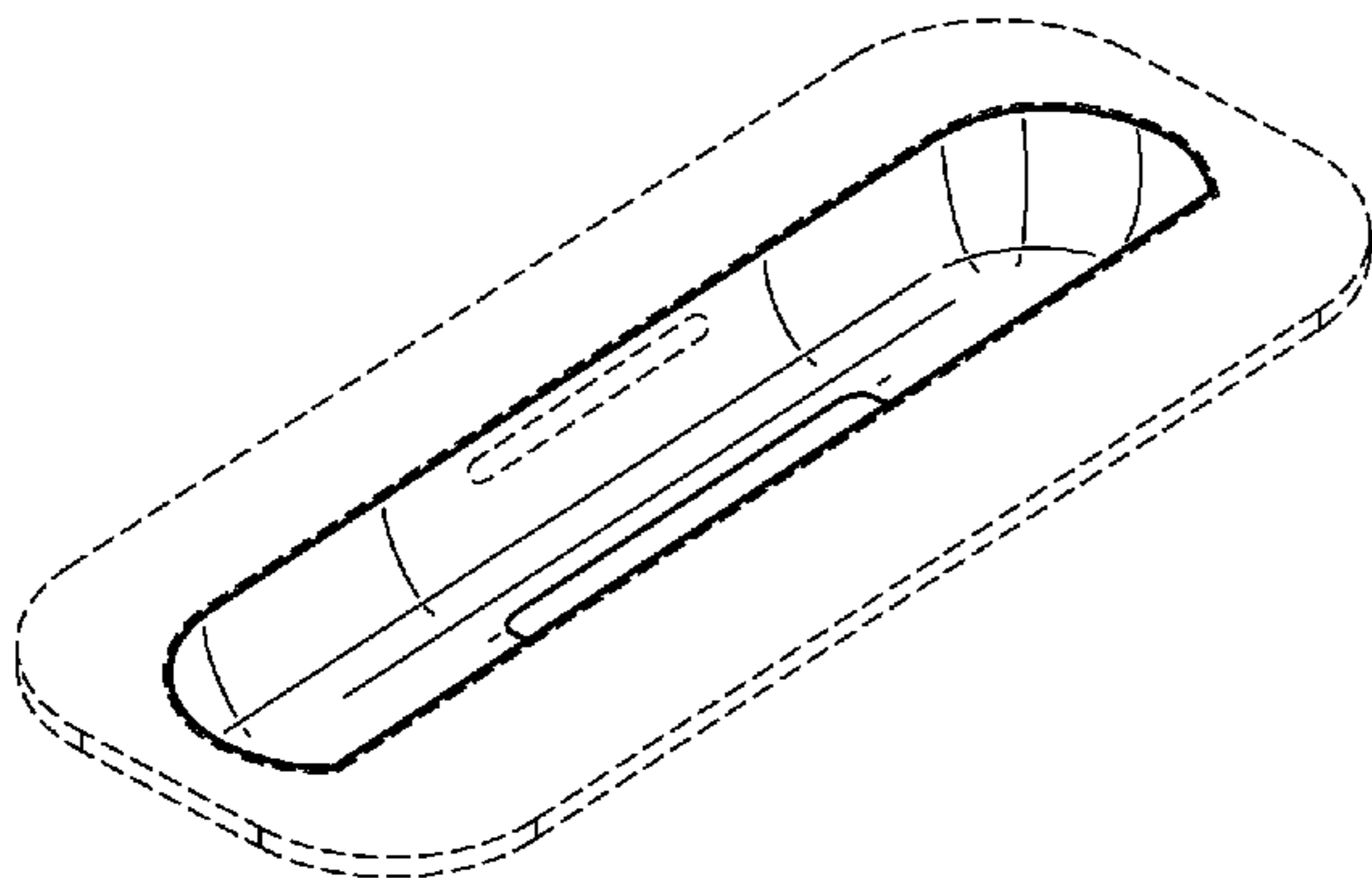
FIG. 7 is a bottom plan view thereof;

FIG. 8 is another front perspective view thereof showing the design in combination with an environment in which the design may be used; and,

FIG. 9 is another perspective view thereof.

The broken lines in the Figures are for illustrative purposes only and form no part of the claimed design.

**1 Claim, 3 Drawing Sheets**



U.S. PATENT DOCUMENTS

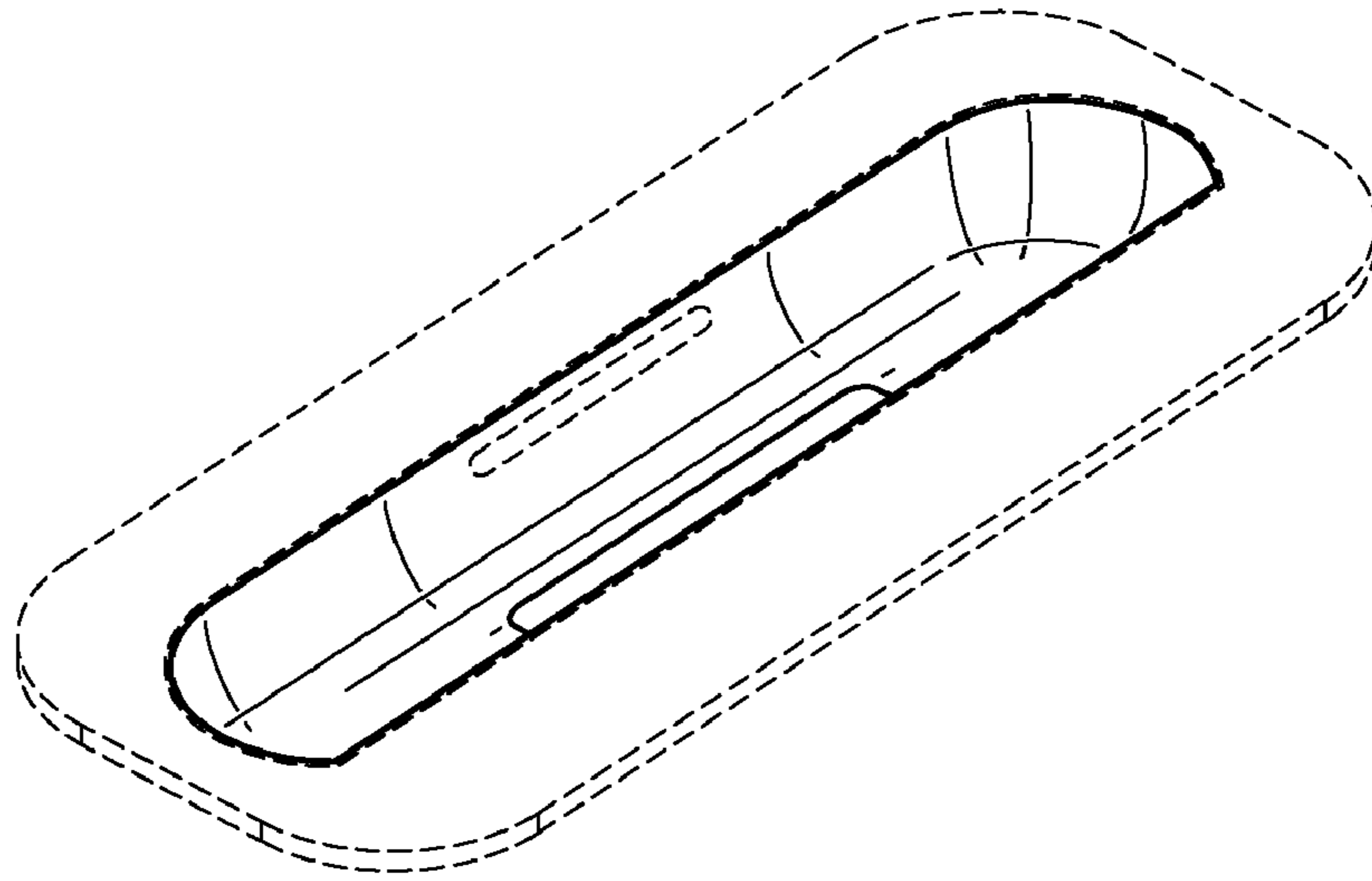
D336,631 S 6/1993 Ivester  
 5,233,281 A 8/1993 Chiang et al.  
 5,280,229 A 1/1994 Faude et al.  
 D350,330 S 9/1994 Petersom  
 D358,821 S 5/1995 Hellier et al.  
 D361,069 S 8/1995 Hellier et al.  
 D374,858 S 10/1996 Chu  
 5,600,225 A 2/1997 Goto  
 5,602,458 A 2/1997 Dowe  
 5,627,727 A 5/1997 Aguilera et al.  
 D385,530 S 10/1997 Hames et al.  
 D388,764 S 1/1998 Bartling et al.  
 D390,824 S 2/1998 Foster et al.  
 5,742,149 A 4/1998 Simpson  
 D397,996 S 9/1998 Smith  
 D409,987 S 5/1999 Okumura  
 D411,166 S 6/1999 Uemura et al.  
 5,926,005 A 7/1999 Holcomb et al.  
 5,952,814 A 9/1999 Van Lerberghe  
 D416,536 S 11/1999 Ross et al.  
 D419,160 S 1/2000 Davidson et al.  
 6,042,414 A 3/2000 Kunert  
 D422,556 S 4/2000 Okura et al.  
 D439,908 S 4/2001 Gozani  
 D440,542 S 4/2001 Hawkins et al.  
 D442,939 S 5/2001 Goldenburg  
 D444,121 S 6/2001 Chun et al.  
 D444,124 S 6/2001 Casey et al.  
 6,307,348 B1 10/2001 Green  
 D450,707 S 11/2001 Francavilla et al.  
 D454,332 S 3/2002 Yokoyama  
 D459,299 S 6/2002 Hughes et al.  
 D461,476 S 8/2002 Evers et al.  
 D463,361 S 9/2002 Ruohonen  
 D466,122 S 11/2002 Moody  
 D468,305 S 1/2003 Ma et al.  
 6,524,240 B1 2/2003 Thede  
 D472,900 S 4/2003 Matsumoto  
 D477,823 S 7/2003 Lavello  
 D487,897 S 3/2004 Huang et al.  
 6,711,005 B2 3/2004 Martin  
 D495,336 S 8/2004 Andre et al.  
 6,798,647 B2 9/2004 Dickie  
 6,813,528 B1 11/2004 Yang  
 6,898,080 B2 5/2005 Yin et al.  
 D509,790 S 9/2005 Sakai  
 D510,091 S 9/2005 Mori et al.  
 D520,945 S 5/2006 Hayamizu  
 D520,946 S 5/2006 Nasu  
 D525,616 S 7/2006 Andre et al.  
 7,075,579 B2 7/2006 Whitby et al.  
 D526,321 S 8/2006 Hayes et al.  
 D530,717 S 10/2006 Mori et al.

D532,005 S 11/2006 Leith  
 7,145,603 B2 12/2006 Whitby et al.  
 D535,614 S 1/2007 Majanen et al.  
 D544,899 S 6/2007 Li et al.  
 D551,212 S 9/2007 Andre et al.  
 D551,213 S 9/2007 Andre et al.  
 D552,085 S 10/2007 Andre et al.  
 D558,738 S 1/2008 Andre et al.  
 D558,739 S 1/2008 Andre et al.  
 D568,874 S 5/2008 Andre et al.  
 D570,335 S 6/2008 Andre et al.  
 D571,360 S 6/2008 Andre et al.  
 D575,275 S 8/2008 Andre et al.  
 D578,110 S 10/2008 Andre et al.  
 D578,512 S 10/2008 Andre et al.  
 D580,911 S 11/2008 Andre et al.  
 D584,313 S 1/2009 Pittel et al.  
 D595,265 S 6/2009 Andre et al.  
 D596,161 S 7/2009 Andre et al.  
 D597,530 S 8/2009 Andre et al.  
 D599,783 S 9/2009 Andre et al.  
 D605,174 S \* 12/2009 Andre et al. .... D14/217  
 D605,633 S \* 12/2009 Andre et al. .... D14/217  
 D606,518 S \* 12/2009 Andre et al. .... D14/217  
 D608,352 S \* 1/2010 Andre et al. .... D14/217  
 D610,128 S 2/2010 Andre et al.  
 2002/0103008 A1 8/2002 Rahn et al.  
 2003/0198015 A1 10/2003 Vogt  
 2006/0250764 A1 11/2006 Howarth et al.  
 2007/0047198 A1 3/2007 Crooijmans

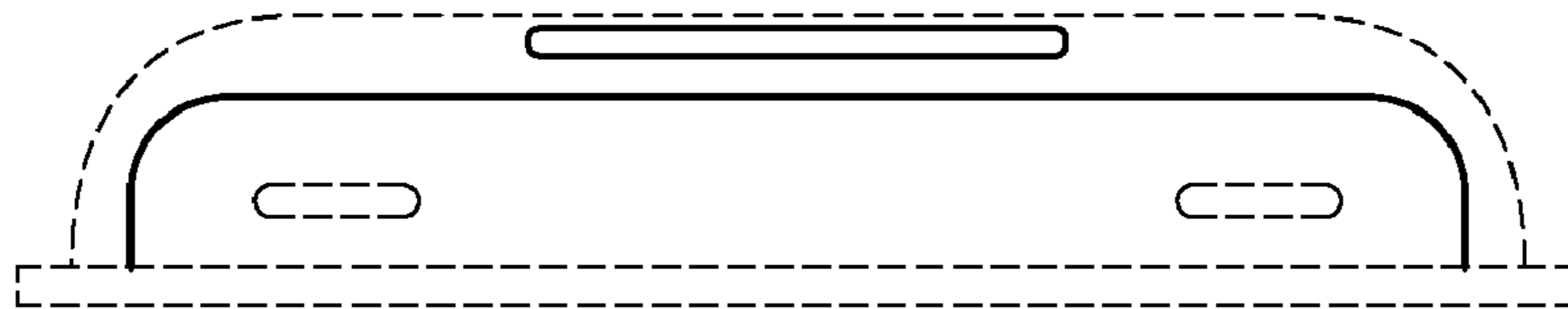
OTHER PUBLICATIONS

“AdaptexHub for Notebooks”, [http://www.everythingusb.com/hardware/index/Adaptex\\_xHub\\_for\\_Notebooks.htm](http://www.everythingusb.com/hardware/index/Adaptex_xHub_for_Notebooks.htm), downloaded Nov. 22, 2005.  
 “Atech Flash Technology Iduo Ipod Dock and card Reader”, [www.thegadgeteer.com](http://www.thegadgeteer.com), downloaded Nov. 21, 2005.  
 “Belkin Hi-Speed USB 2.07\_Port Hub”, [http://www.everythingusb.com/hardware/index/Belkin\\_Hi-Speed\\_USB\\_2.0\\_7-Port\\_Hub...](http://www.everythingusb.com/hardware/index/Belkin_Hi-Speed_USB_2.0_7-Port_Hub...), downloaded Nov. 22, 2005.  
 “Belkin’s Top loading USB Hub for iPod shuffle”, [http://www.everythingusb.com/belkin\\_hispeed\\_usb\\_2.0\\_4-port\\_hub.html](http://www.everythingusb.com/belkin_hispeed_usb_2.0_4-port_hub.html), downloaded Nov. 22, 2005.  
 “BookEndz Home Page” downloaded Apr. 11, 2003, [www.bookendzdocks.com/bookendz/index.htm](http://www.bookendzdocks.com/bookendz/index.htm).  
 “iPod Dock Cradle”, downloaded Apr. 11, 2003, [www.bookendzdocks.com/bookendz/dock\\_cradle.htm](http://www.bookendzdocks.com/bookendz/dock_cradle.htm).  
 U.S. Appl. No. 29/284,346 entitled “Dock Insert” filed Sep. 5, 2007.  
 U.S. Appl. No. 29/237,687 entitled “Docking Station” filed Sep. 2, 2007.  
 U.S. Appl. No. 29/304,583, filed Mar. 4, 2008, entitled “Dock Insert”.  
 U.S. Appl. No. 29/340,583, filed Jul. 21, 2009, entitled “Docking Station”.

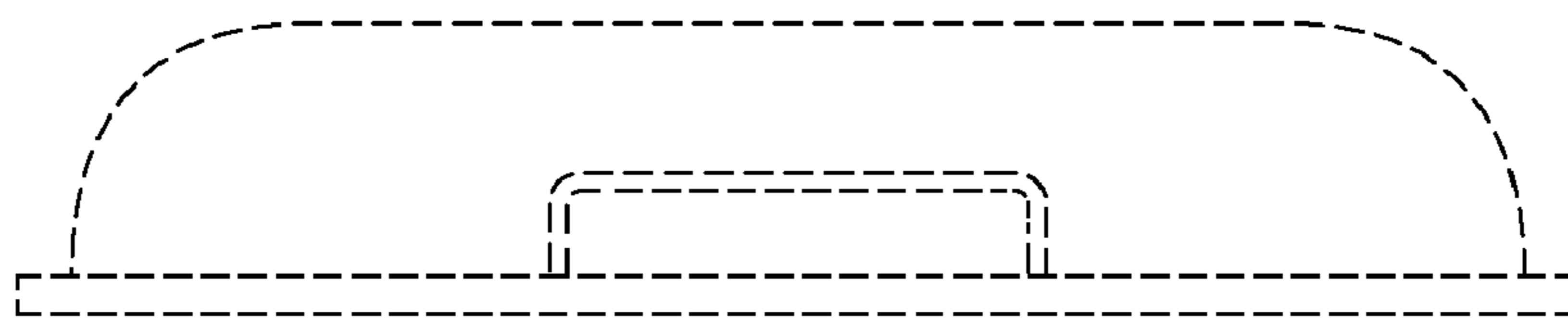
\* cited by examiner



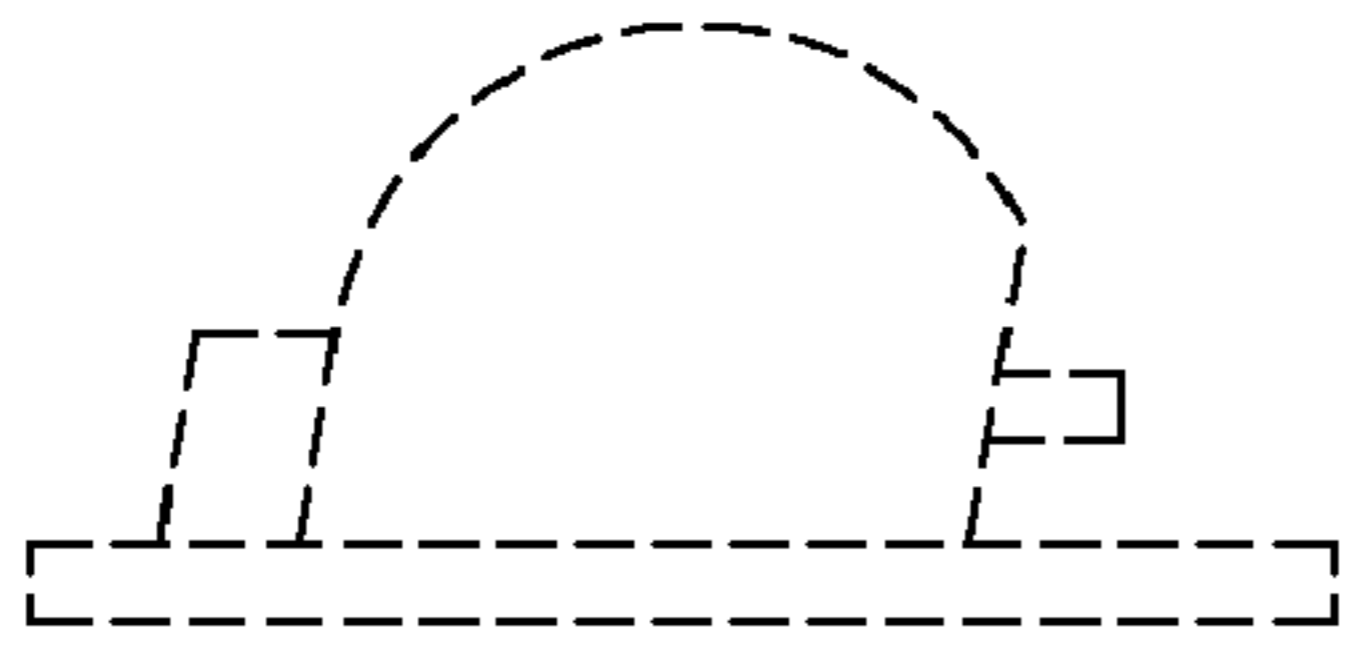
**FIG. 1**



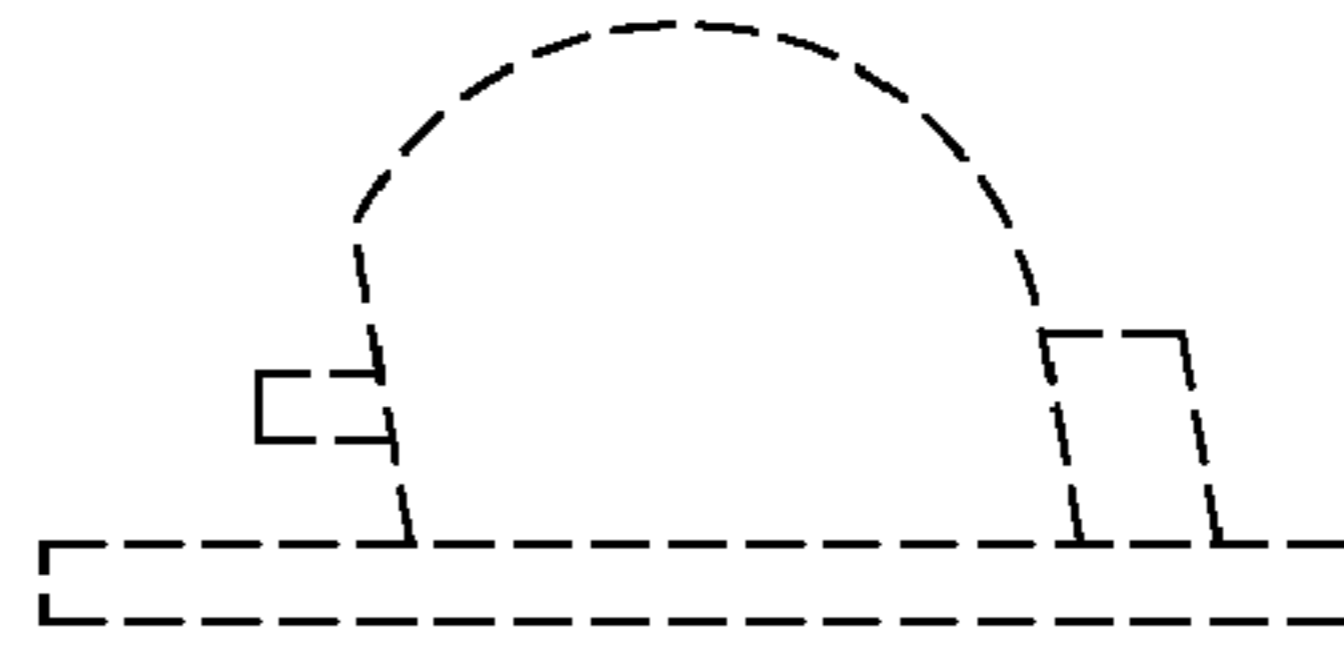
**FIG. 2**



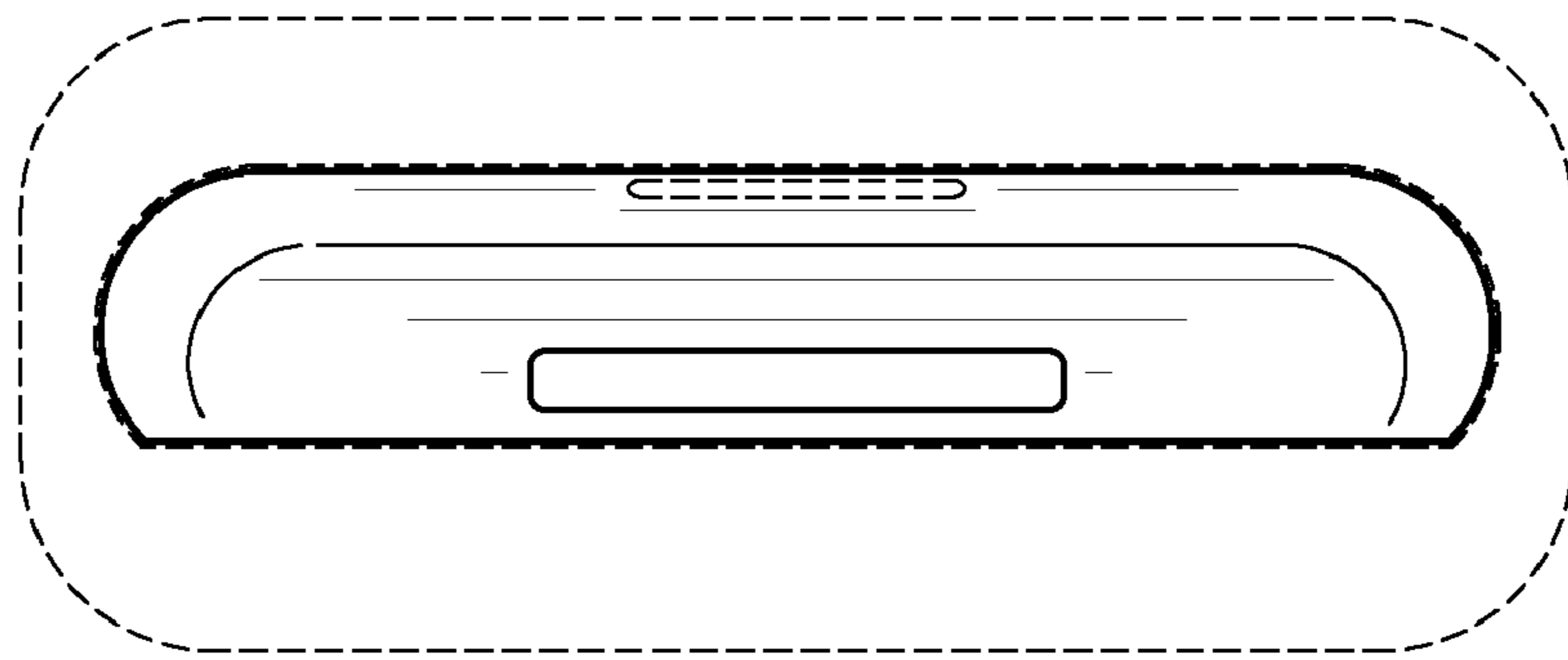
**FIG. 3**



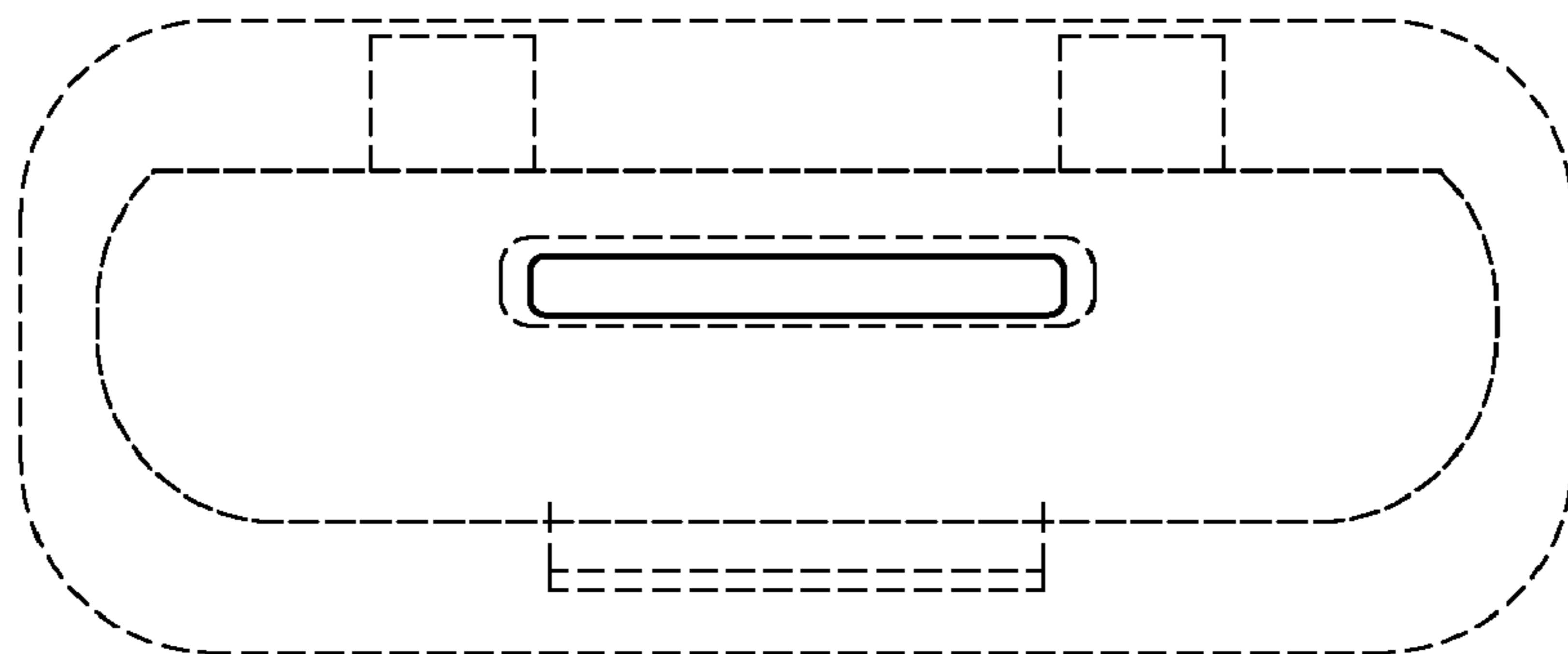
**FIG. 4**



**FIG. 5**

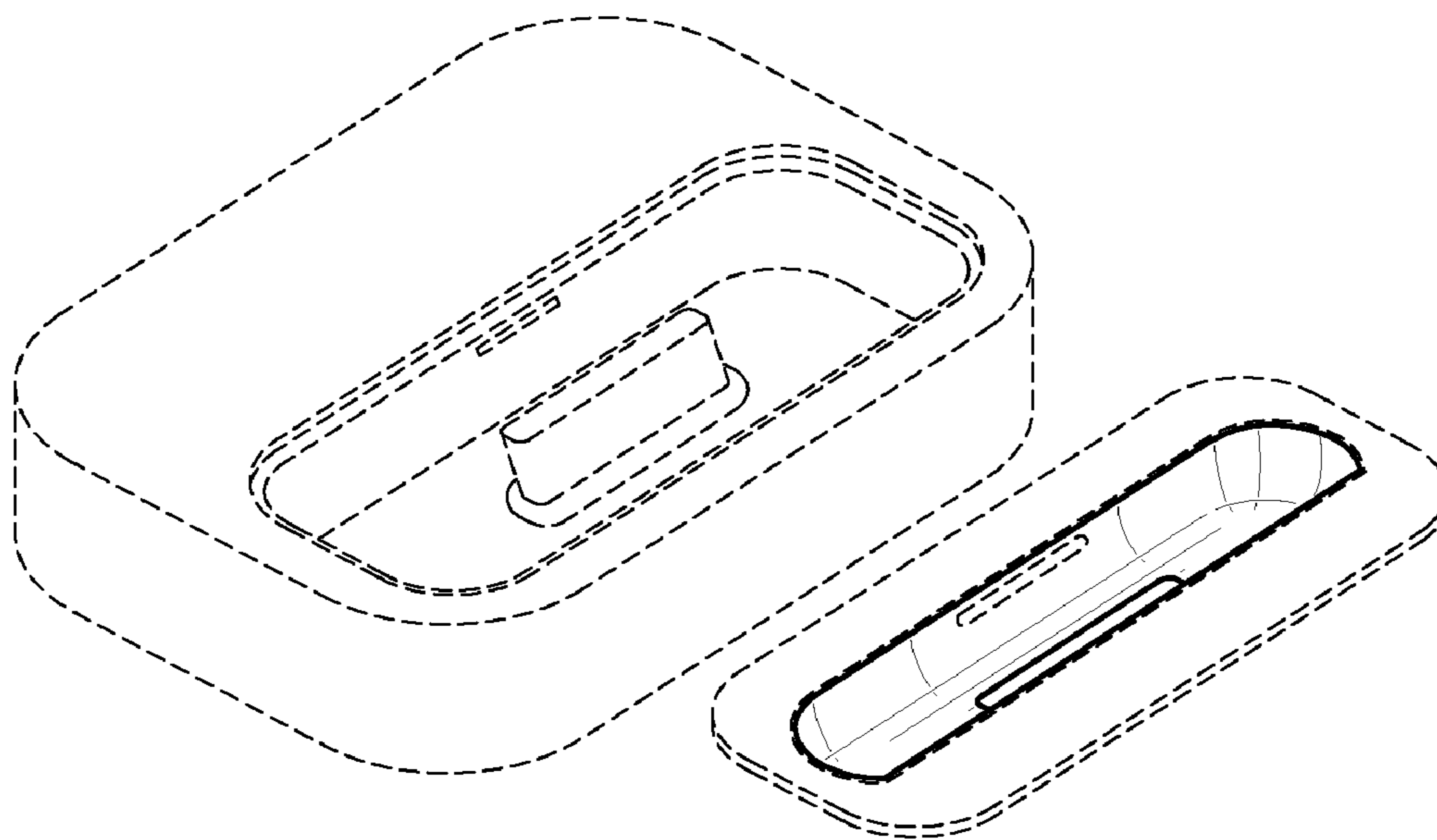


**FIG. 6**

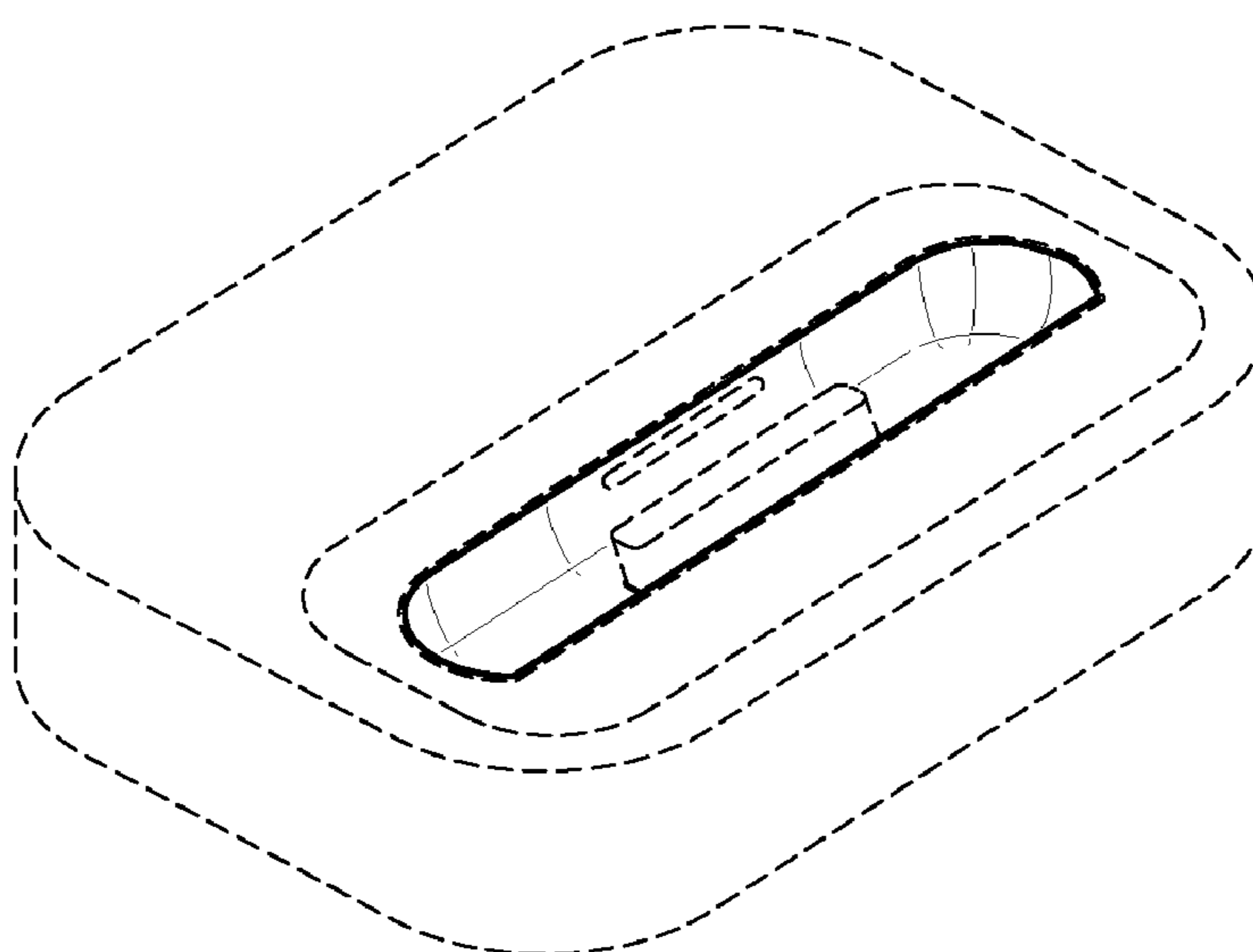


**FIG. 7**





**FIG. 8**



**FIG. 9**