



(12) **United States Design Patent**
Andre et al.

(10) **Patent No.:** **US D626,940 S**
(45) **Date of Patent:** **** Nov. 9, 2010**

(54) **DOCKING STATION**

(75) Inventors: **Bartley K. Andre**, Menlo Park, CA (US); **Daniel J. Coster**, San Francisco, CA (US); **Daniele De Iuliis**, San Francisco, CA (US); **Richard P. Howarth**, San Francisco, CA (US); **Jonathan P. Ive**, San Francisco, CA (US); **Duncan Robert Kerr**, San Francisco, CA (US); **Shin Nishibori**, Portola Valley, CA (US); **Matthew Dean Rohrbach**, San Francisco, CA (US); **Douglas B. Satzger**, Menlo Park, CA (US); **Calvin Q. Seid**, Palo Alto, CA (US); **Vincent Keane Seid**, legal representative, Los Gatos, CA (US); **Christopher J. Stringer**, Woodside, CA (US); **Eugene Antony Whang**, San Francisco, CA (US); **Rico Zorkendorfer**, San Francisco, CA (US)

(73) Assignee: **Apple Inc.**, Cupertino, CA (US)

(**) Term: **14 Years**

(21) Appl. No.: **29/340,583**

(22) Filed: **Jul. 21, 2009**

Related U.S. Application Data

(63) Continuation of application No. 29/326,229, filed on Oct. 14, 2008, now Pat. No. Des. 596,621, which is a continuation of application No. 29/282,424, filed on Jul. 19, 2007, now Pat. No. Des. 578,512, which is a continuation of application No. 29/237,233, filed on Aug. 24, 2005, now Pat. No. Des. 558,739, and a continuation of application No. 29/237,084, filed on Aug. 24, 2005, now Pat. No. Des. 558,738.

(51) **LOC (9) Cl.** **14-03**

(52) **U.S. Cl.** **D14/217**

(58) **Field of Classification Search** D14/142, D14/149, 155, 157, 188, 191-193, 230.1-203.8, D14/217, 251, 253, 432-435.1, 447, 451, D14/496, 474, 480.1-480.7; D13/107, 108, D13/118; D3/218; 248/221.11, 309.1; 320/107, 320/110, 113-115; 361/600; 439/529, 534; 455/556.1-556.2, 557

See application file for complete search history.

(56) **References Cited**

U.S. PATENT DOCUMENTS

D328,277 S 7/1992 Leman et al.

(Continued)

OTHER PUBLICATIONS

U.S. Appl. No. 29/351,166, filed Dec. 1, 2009, entitled "Stand".

(Continued)

Primary Examiner—Stella M Reid

Assistant Examiner—Keli L Hill

(74) *Attorney, Agent, or Firm*—Sterne, Kessler, Goldstein & Fox PLLC

(57) **CLAIM**

The ornamental design for a docking station, as shown and described.

DESCRIPTION

This application is related to U.S. application Ser. No. 29/296,825, filed Oct. 29, 2007, which is now U.S. Pat. No. D575,275. The disclosures of application Ser. Nos. 29/326,229, 29/282,424, 29/237,233, 29/237,084 and 29/296,825 are herein incorporated in their entireties by reference thereto.

FIG. 1 is a front perspective view of a docking station showing our new design;

FIG. 2 is a rear perspective view thereof;

FIG. 3 is a top view thereof;

FIG. 4 is a bottom view thereof;

FIG. 5 is a front view thereof;

FIG. 6 is a rear view thereof;

FIG. 7 is a left side view thereof;

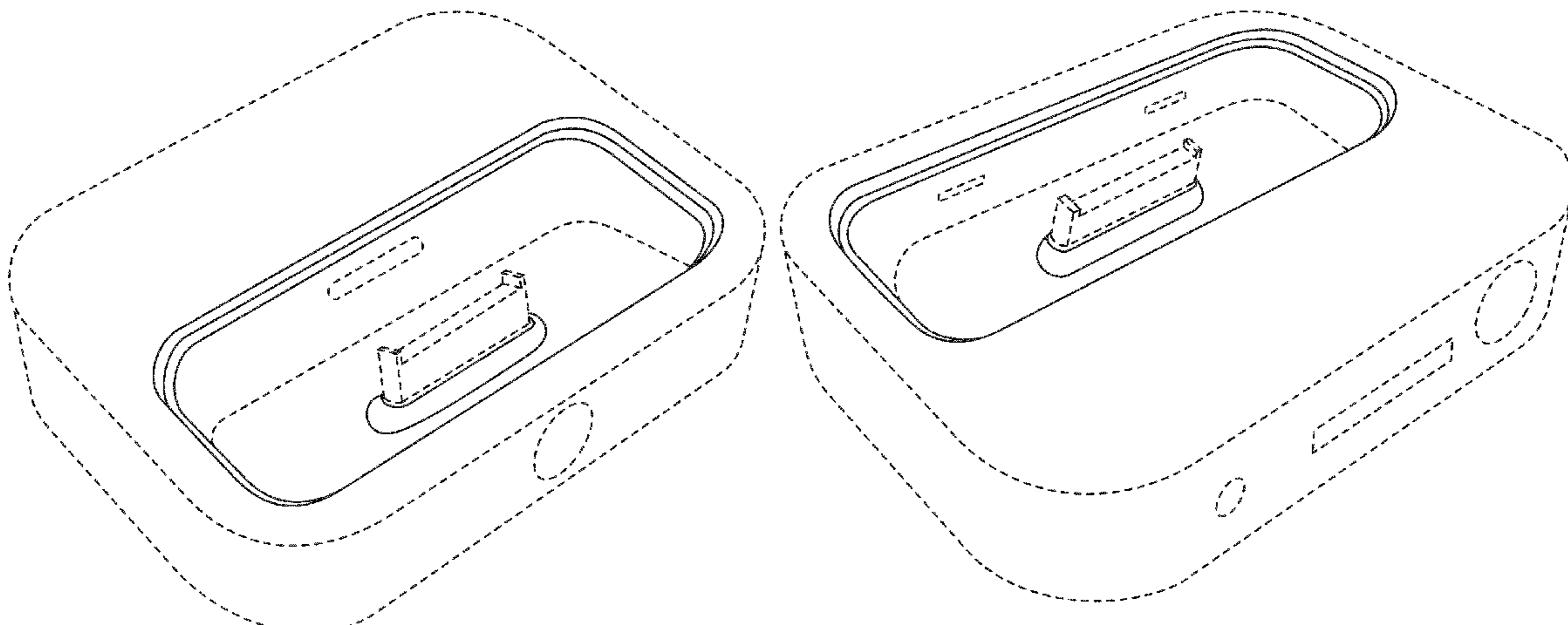
FIG. 8 is a right side view thereof;

FIG. 9 is an exemplary perspective view of how a docking system can incorporate a dock insert with the docking station; and,

FIGS. 10-13 are exemplary top views of a docking system that incorporates different dock inserts into the docking station.

The broken lines in the Figures are for illustrating environmental structure and portions of the docking station which form no part of the claimed design.

1 Claim, 6 Drawing Sheets



U.S. PATENT DOCUMENTS

D336,631 S	6/1993	Ivester	D551,212 S	9/2007	Andre et al.
D350,330 S	9/1994	Peterson	D551,213 S	9/2007	Andre et al.
D358,821 S	5/1995	Hellier et al.	D551,214 S	9/2007	Hussaini et al.
D361,069 S	8/1995	Hellier et al.	D551,658 S	9/2007	Hussaini et al.
D374,858 S	10/1996	Chu	D552,085 S	10/2007	Andre et al.
5,600,225 A	2/1997	Goto	D553,106 S	10/2007	Griffin et al.
5,602,458 A	2/1997	Dowe	D558,207 S	12/2007	Ikeda et al.
5,627,727 A	5/1997	Aguilera et al.	D558,208 S	12/2007	Ikeda et al.
D385,530 S	10/1997	Hames et al.	D558,209 S	12/2007	Ikeda et al.
D388,764 S	1/1998	Bartling et al.	D558,738 S	1/2008	Andre et al.
D390,824 S	2/1998	Foster et al.	D558,739 S	1/2008	Andre et al.
D397,996 S	9/1998	Smith	D568,297 S	5/2008	Andre et al.
D409,987 S	5/1999	Okumura	D568,874 S	5/2008	Andre et al.
D411,166 S	6/1999	Uemura et al.	D570,335 S	6/2008	Andre et al.
5,952,814 A	9/1999	Van Lerberghe	D571,360 S	6/2008	Andre et al.
D416,536 S	11/1999	Ross et al.	D575,275 S	8/2008	Andre et al.
D419,160 S	1/2000	Davidson et al.	D578,110 S	10/2008	Andre et al.
6,042,414 A	3/2000	Kunert	D578,512 S	10/2008	Andre et al.
D422,556 S	4/2000	Okura et al.	D582,887 S	12/2008	Po et al.
D439,908 S	4/2001	Gozani	D595,264 S	6/2009	Andre et al.
D440,542 S	4/2001	Hawkins et al.	D595,265 S	6/2009	Andre et al.
D442,939 S	5/2001	Goldenburg	D596,161 S	7/2009	Andre et al.
D444,121 S	6/2001	Chun et al.	D596,621 S	7/2009	Andre et al.
D444,124 S	6/2001	Casey et al.	D597,079 S	7/2009	Andre et al.
6,307,348 B1	10/2001	Green	7,580,255 B2	8/2009	Crooijmans
D450,707 S	11/2001	Francavilla et al.	D599,783 S	9/2009	Andre et al.
D454,332 S	3/2002	Yokoyama	D606,518 S	12/2009	Andre et al.
D459,299 S	6/2002	Hughes et al.	D608,350 S *	1/2010	Bo D14/217
D461,476 S	8/2002	Evers et al.	D608,352 S	1/2010	Andre et al.
D463,361 S	9/2002	Ruohonen	D610,128 S	2/2010	Andre et al.
D466,122 S	11/2002	Moody	2002/0103008 A1	8/2002	Rahn et al.
D468,305 S	1/2003	Ma et al.	2003/0198015 A1	10/2003	Vogt
6,524,240 B1	2/2003	Thede	2006/0250764 A1	11/2006	Howarth et al.
D472,900 S	4/2003	Matsumoto			
D477,823 S	7/2003	Lavello, Sr.			
6,711,005 B2	3/2004	Martin			
D495,336 S	8/2004	Andre et al.			
6,798,647 B2	9/2004	Dickie			
6,813,528 B1	11/2004	Yang			
6,898,080 B2	5/2005	Yin et al.			
D509,790 S	9/2005	Sakai			
D510,091 S	9/2005	Mori et al.			
D520,945 S	5/2006	Hayamizu			
D520,946 S	5/2006	Nasu			
D525,616 S	7/2006	Andre et al.			
7,075,579 B2	7/2006	Whitby et al.			
D526,321 S	8/2006	Hayes et al.			
D530,717 S	10/2006	Mori et al.			
D532,005 S	11/2006	Leith			
7,145,603 B2	12/2006	Whitby et al.			
D535,614 S	1/2007	Majanen et al.			
D537,925 S	3/2007	Mahon			

OTHER PUBLICATIONS

U.S. Appl. No. 29/340,843, filed Jul. 27, 2009, entitled "Dock Insert".
 "Adaptec xHub for Notebooks", http://www.everythingusb.com/hardware/index/Adaptec_xHub_for_Notebooks.htm, downloaded Nov. 22, 2005.
 "Atech Flash Technology Iduo Ipod Dock and Card Reader", www.thegadgeteer.com, downloaded Nov. 21, 2005.
 "Belkin Hi-Speed USB 2.07_Port Hub", http://www.everthingusb.com/hardware/index/Belkin_Hi-Speed_USB_2.0_7-Port_Hub..., downloaded Nov. 22, 2005.
 "Belkin's Top loading USB Hub for iPod Shuffle", http://www.everthingusb.com/belkin_hispeed_usb_2.0_4-port_hub.html, downloaded Nov. 22, 2005.
 "BookEndz Home Page", downloaded Apr. 11, 2003, www.bookendzdocks.com/bookendz/index.htm.
 "iPod Dock Cradle", downloaded Apr. 11, 2003, www.bookendzdocks.com/bookendz/dock_cradle.htm.
 U.S. Appl. No. 29/351,429, filed Oct. 4, 2009, entitled Dock Insert.

* cited by examiner

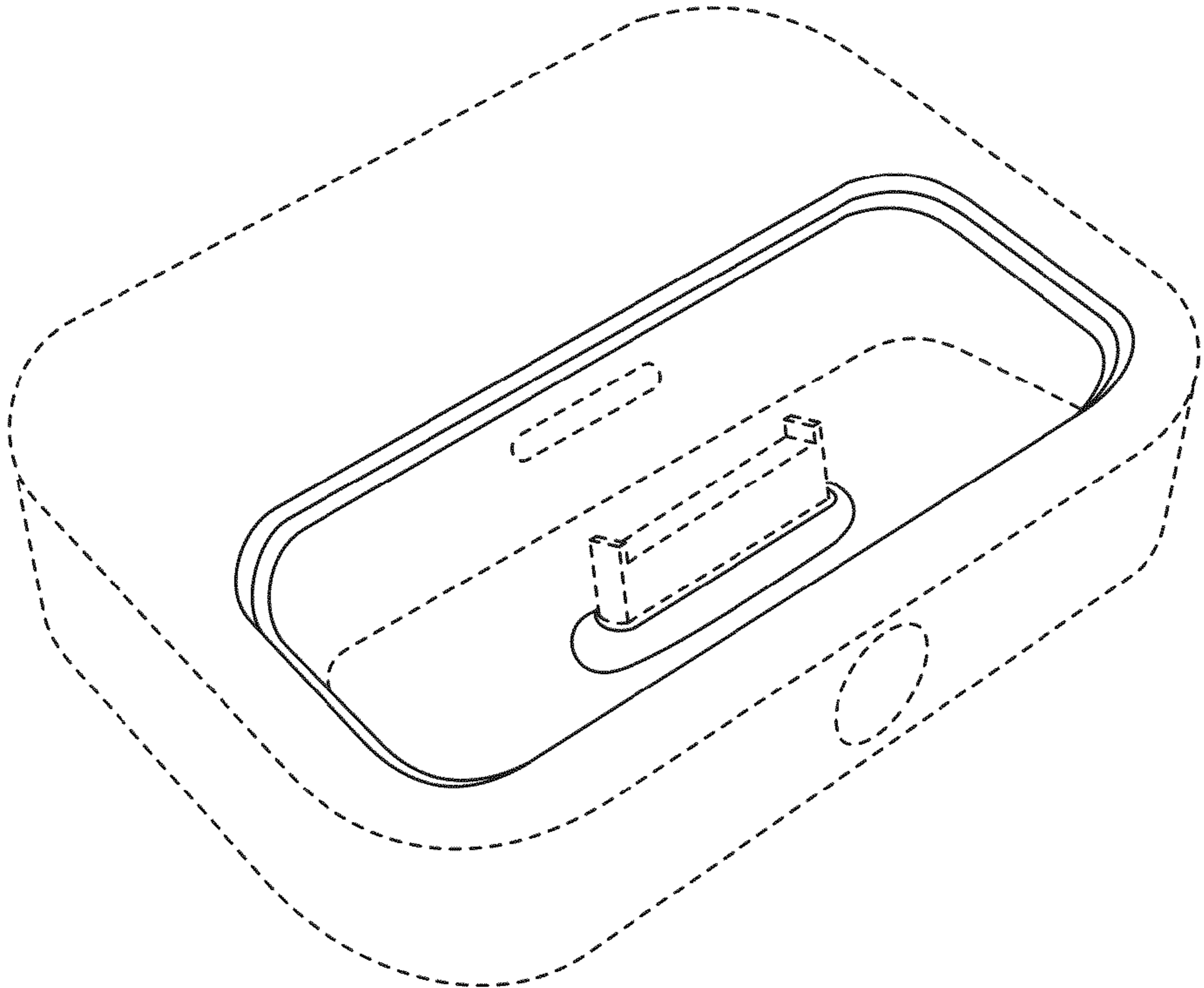


FIG. 1

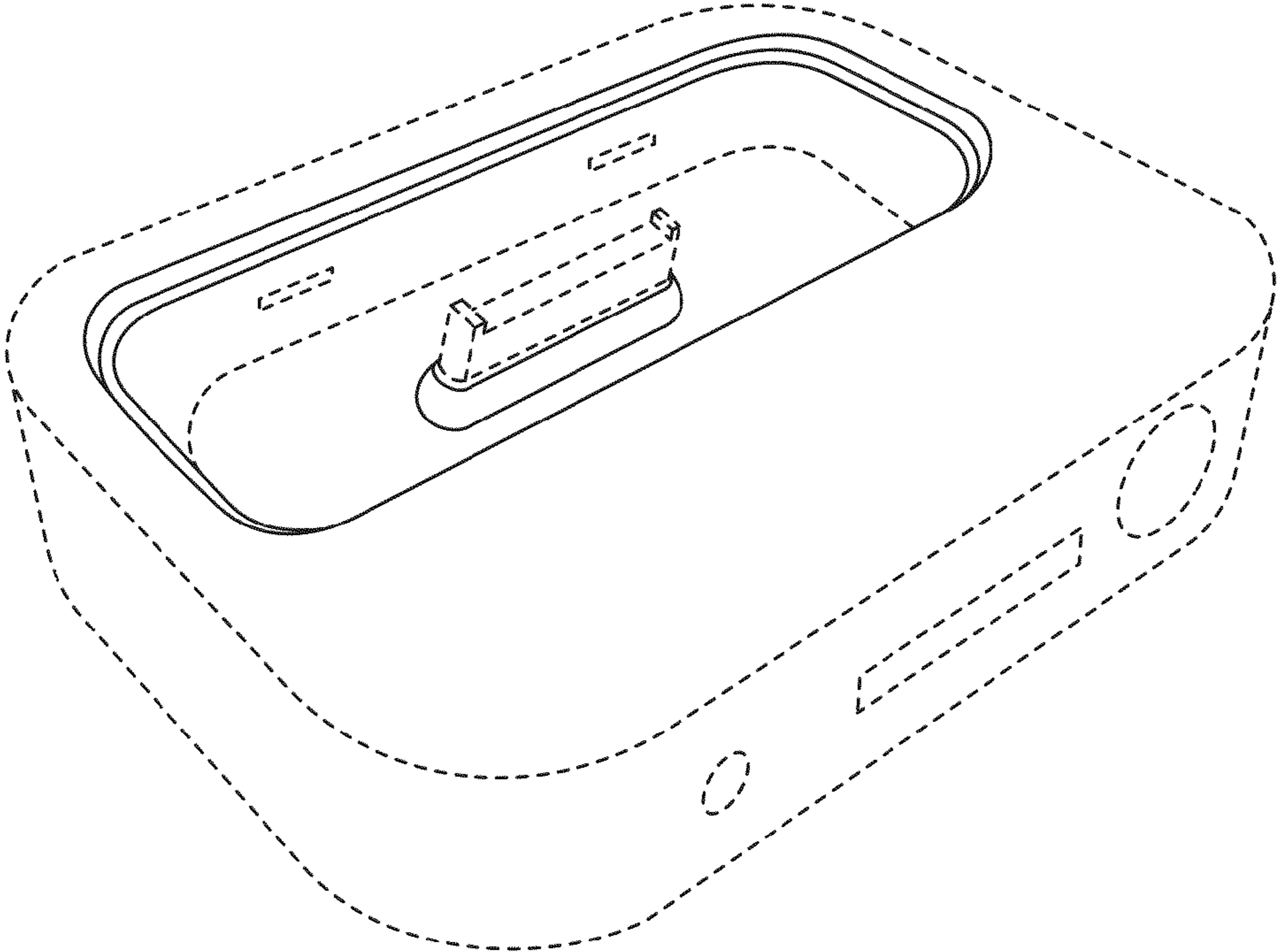


FIG. 2

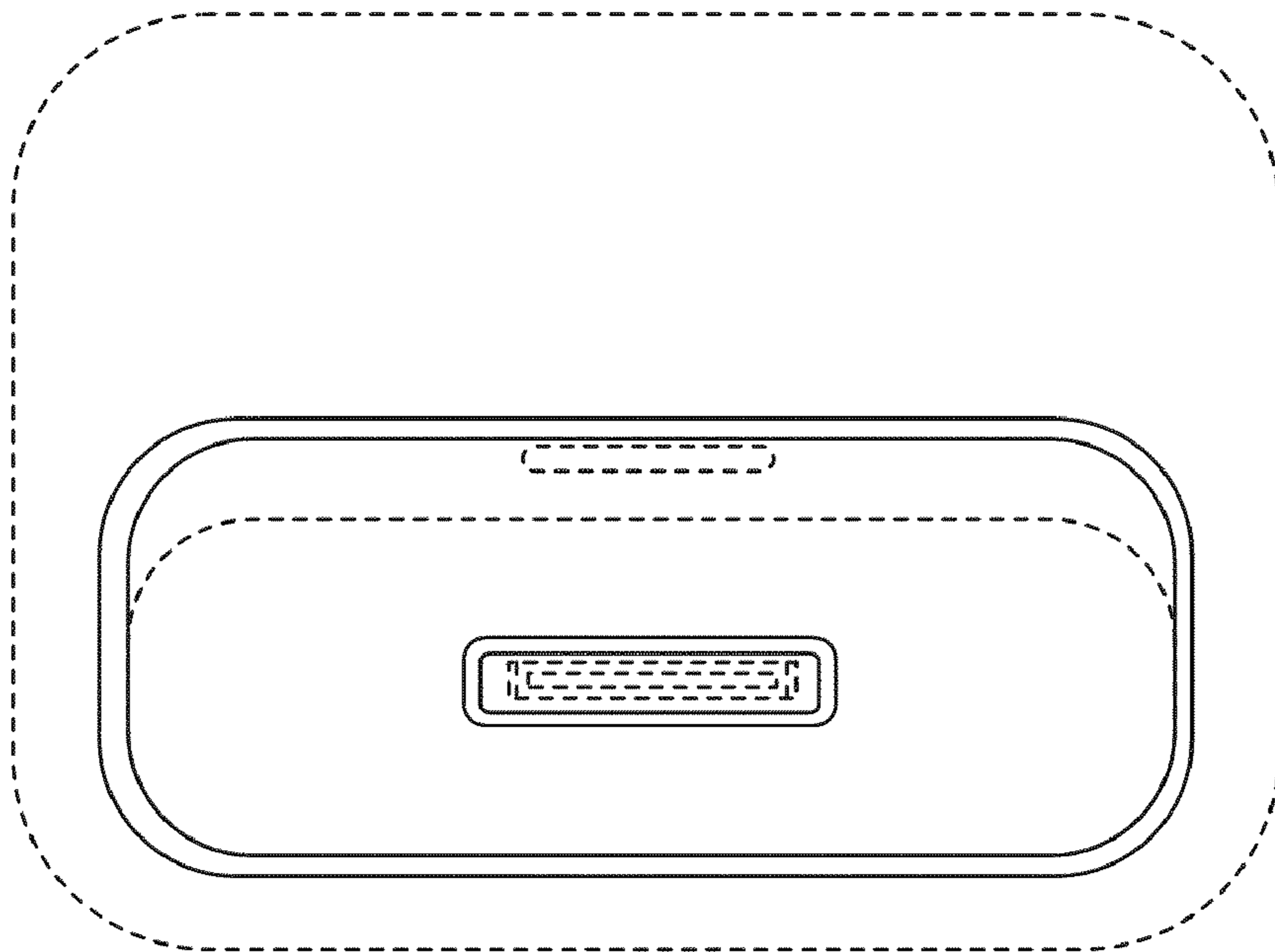


FIG. 3

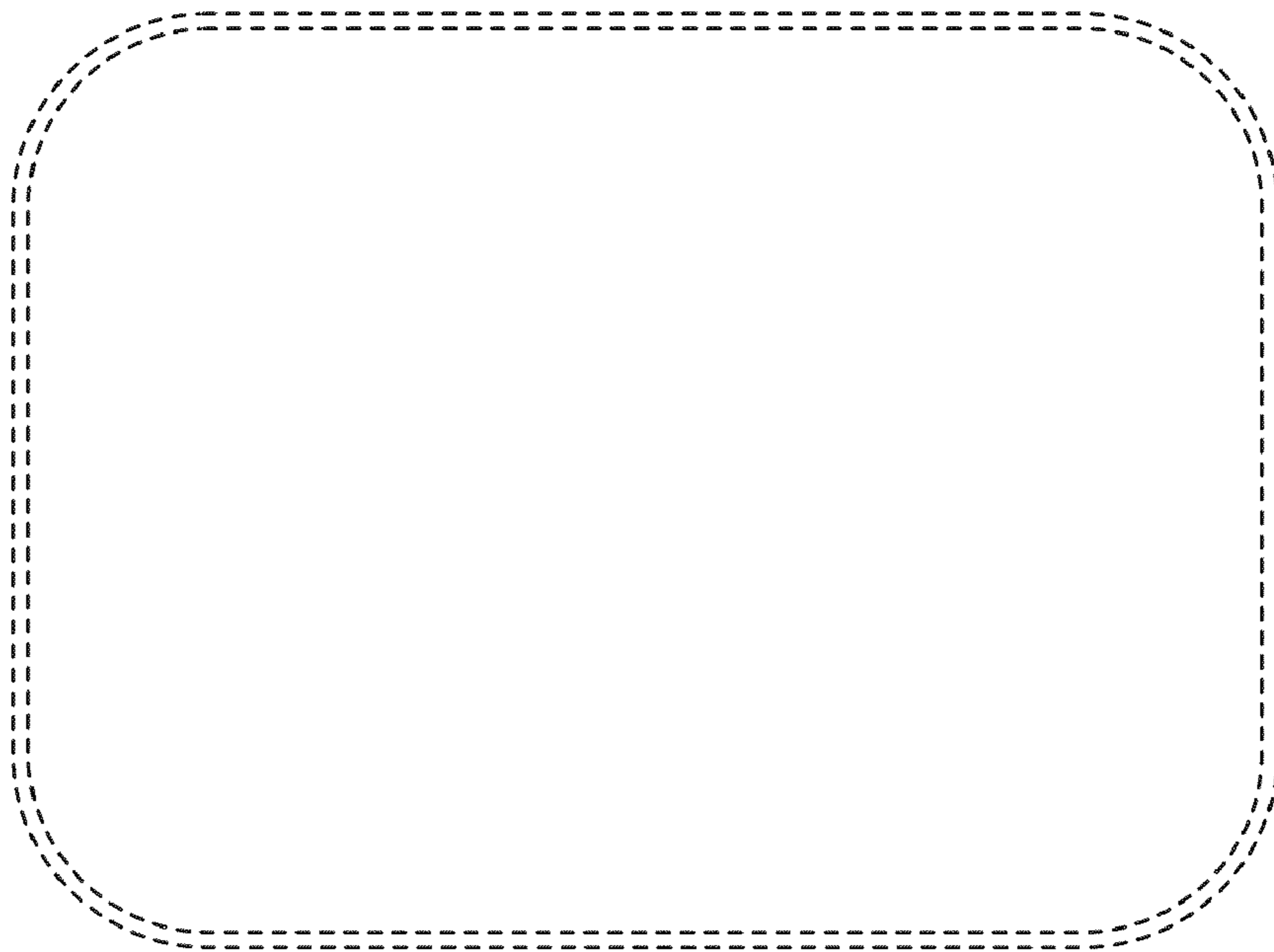


FIG. 4

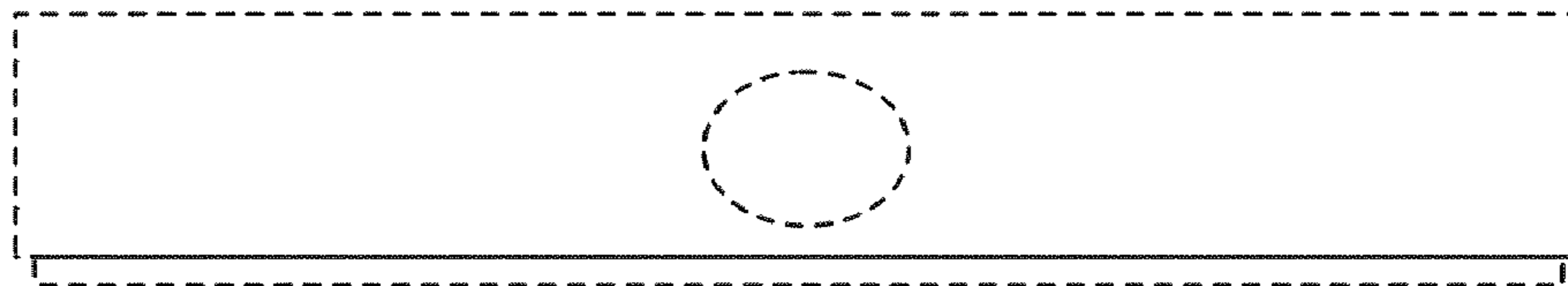


FIG. 5

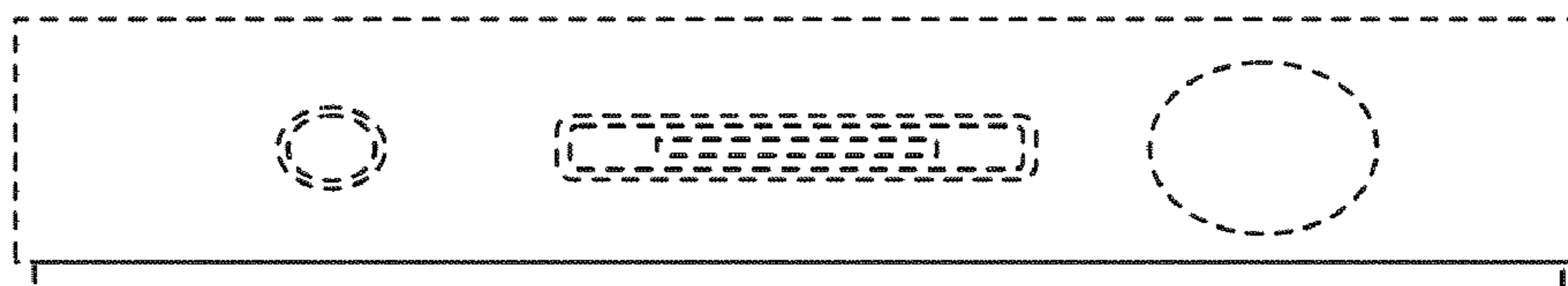


FIG. 6



FIG. 7



FIG. 8

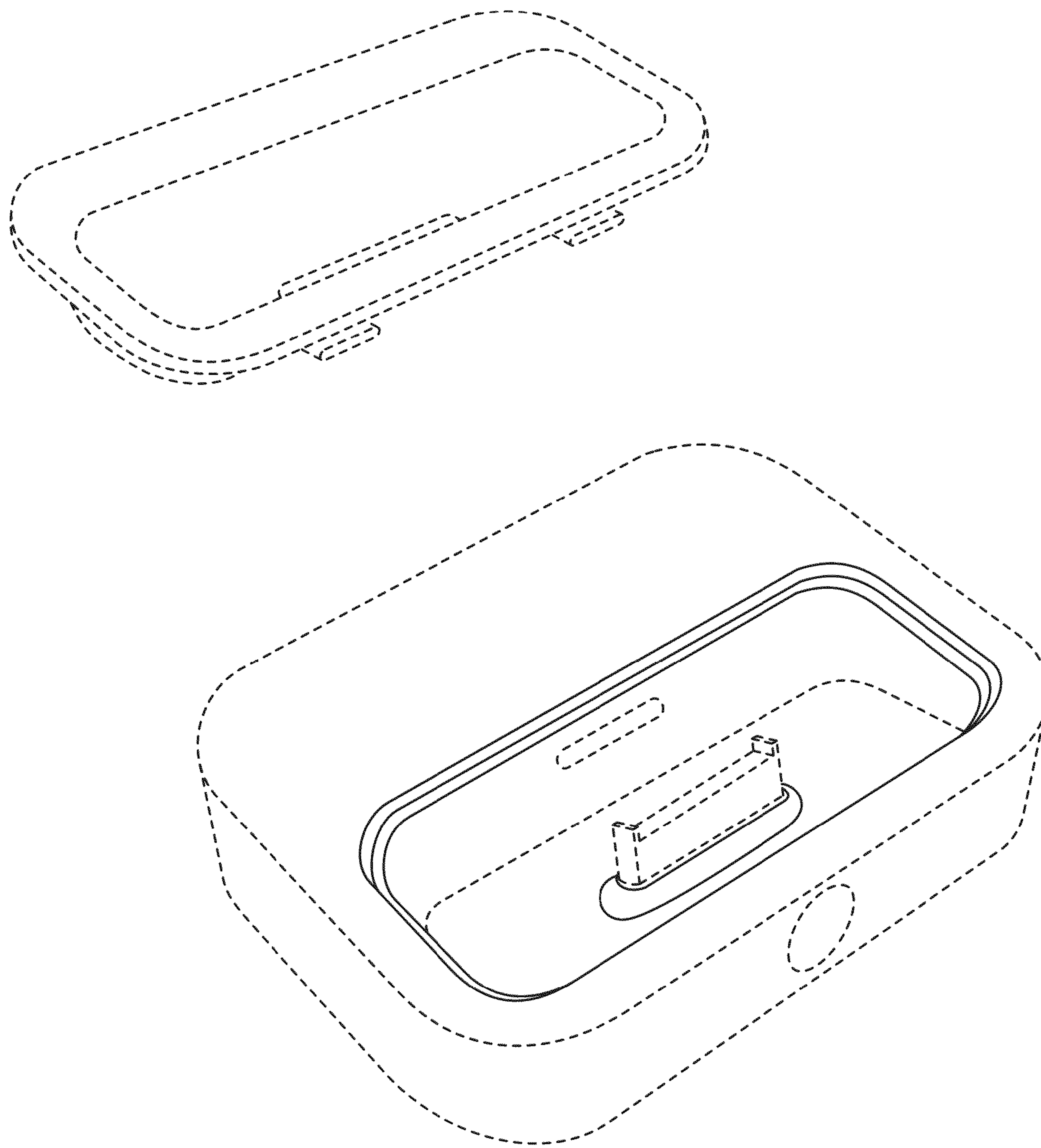


FIG. 9

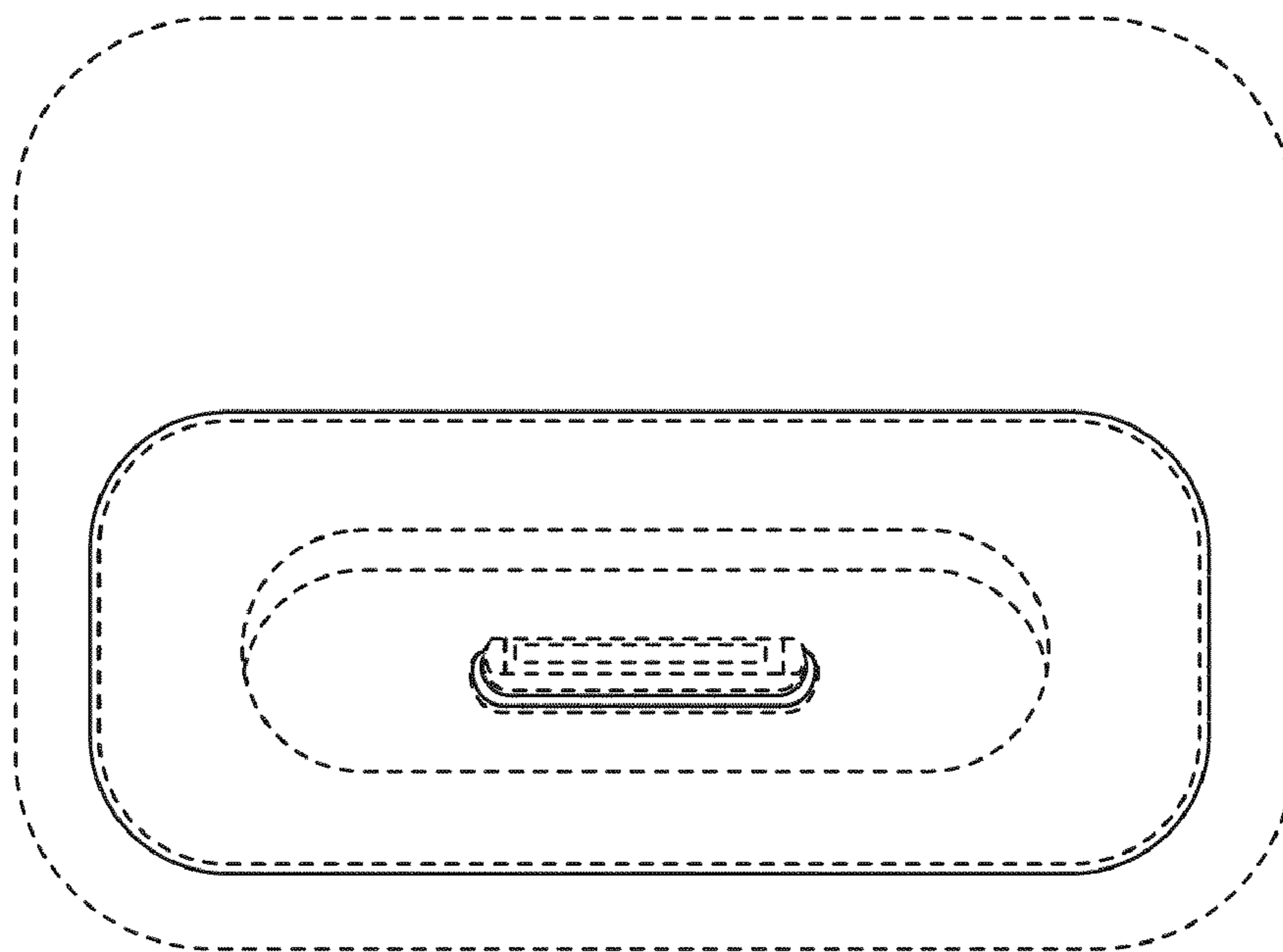


FIG. 10

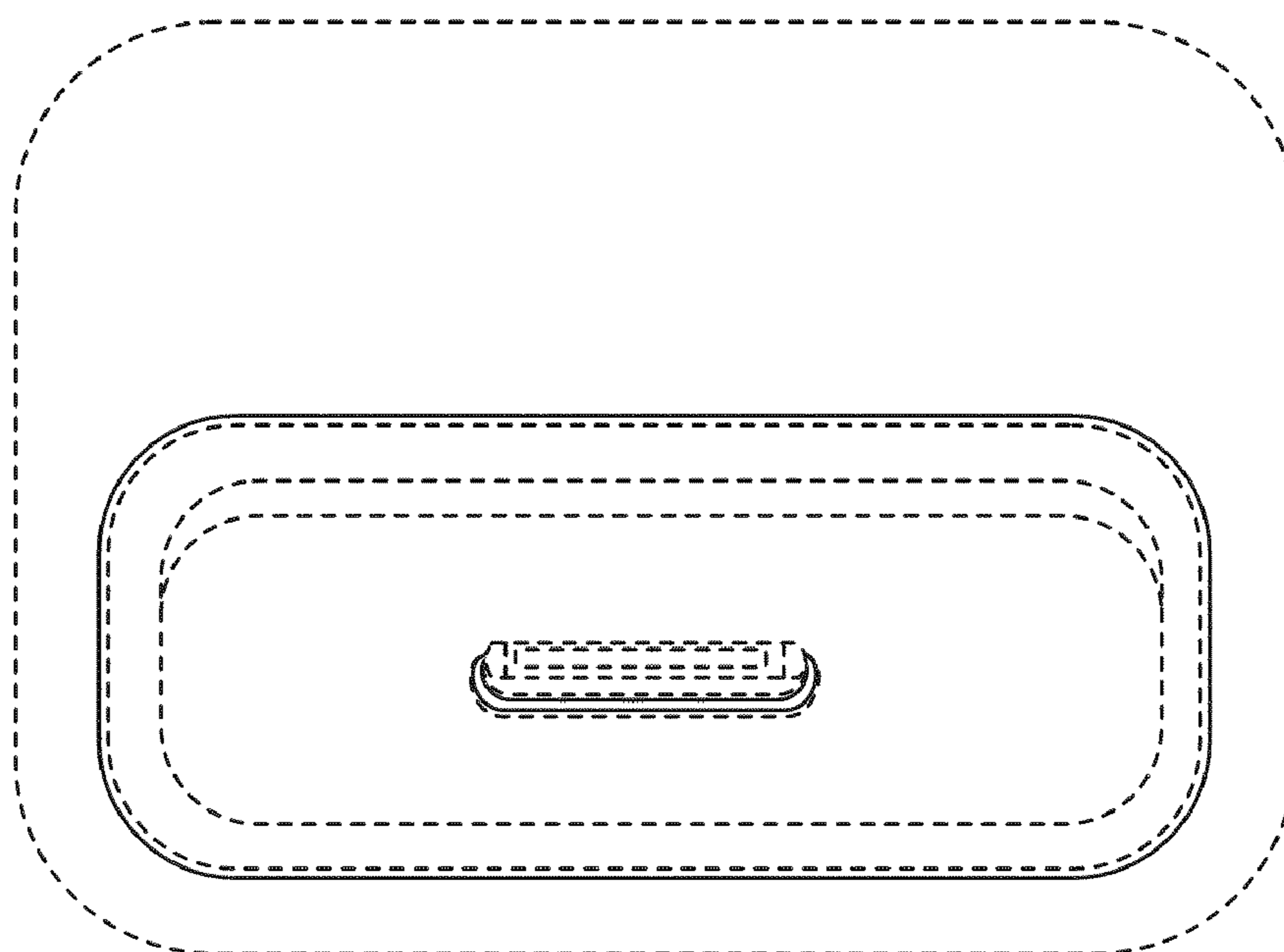


FIG. 11

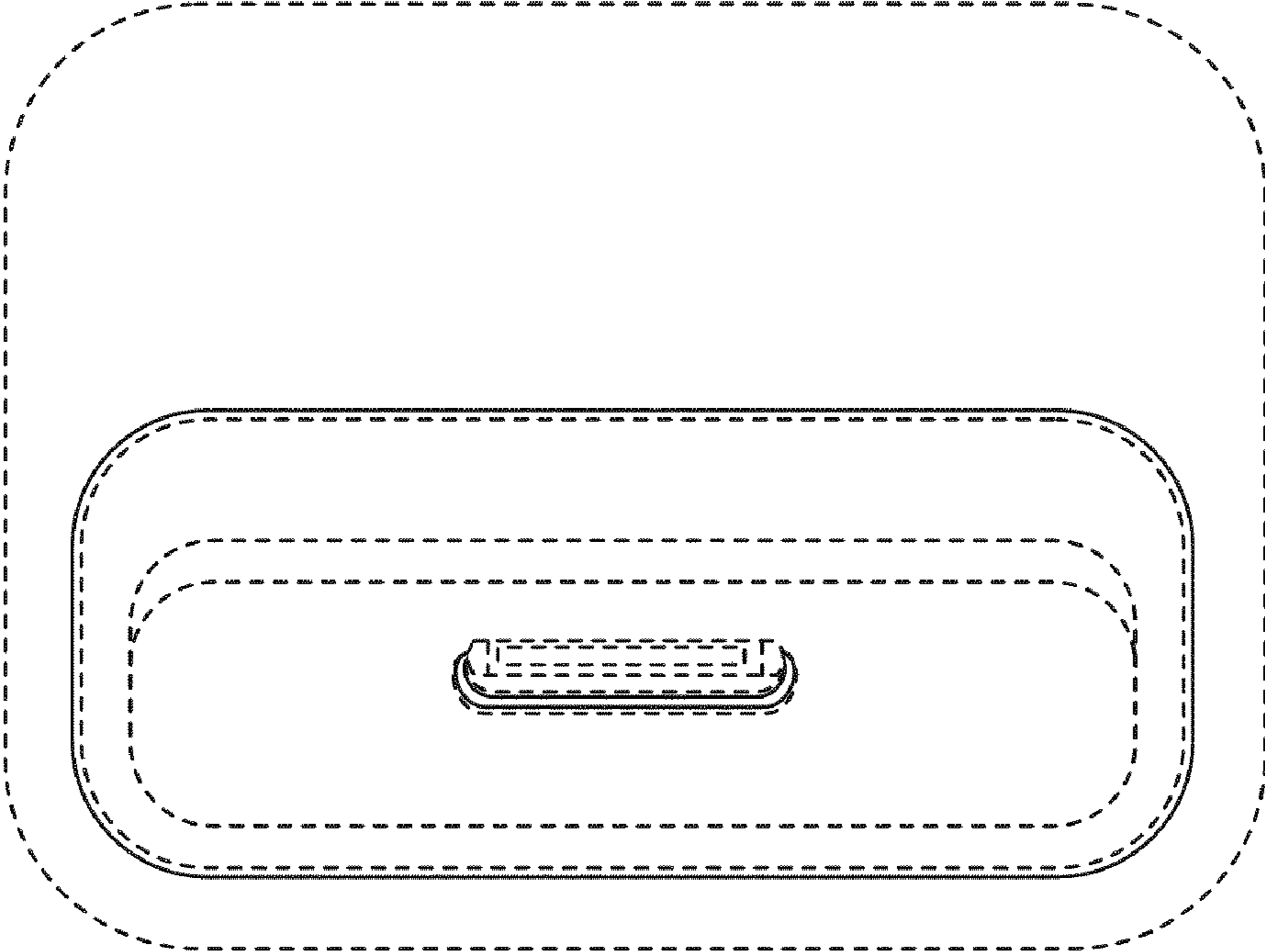


FIG. 12

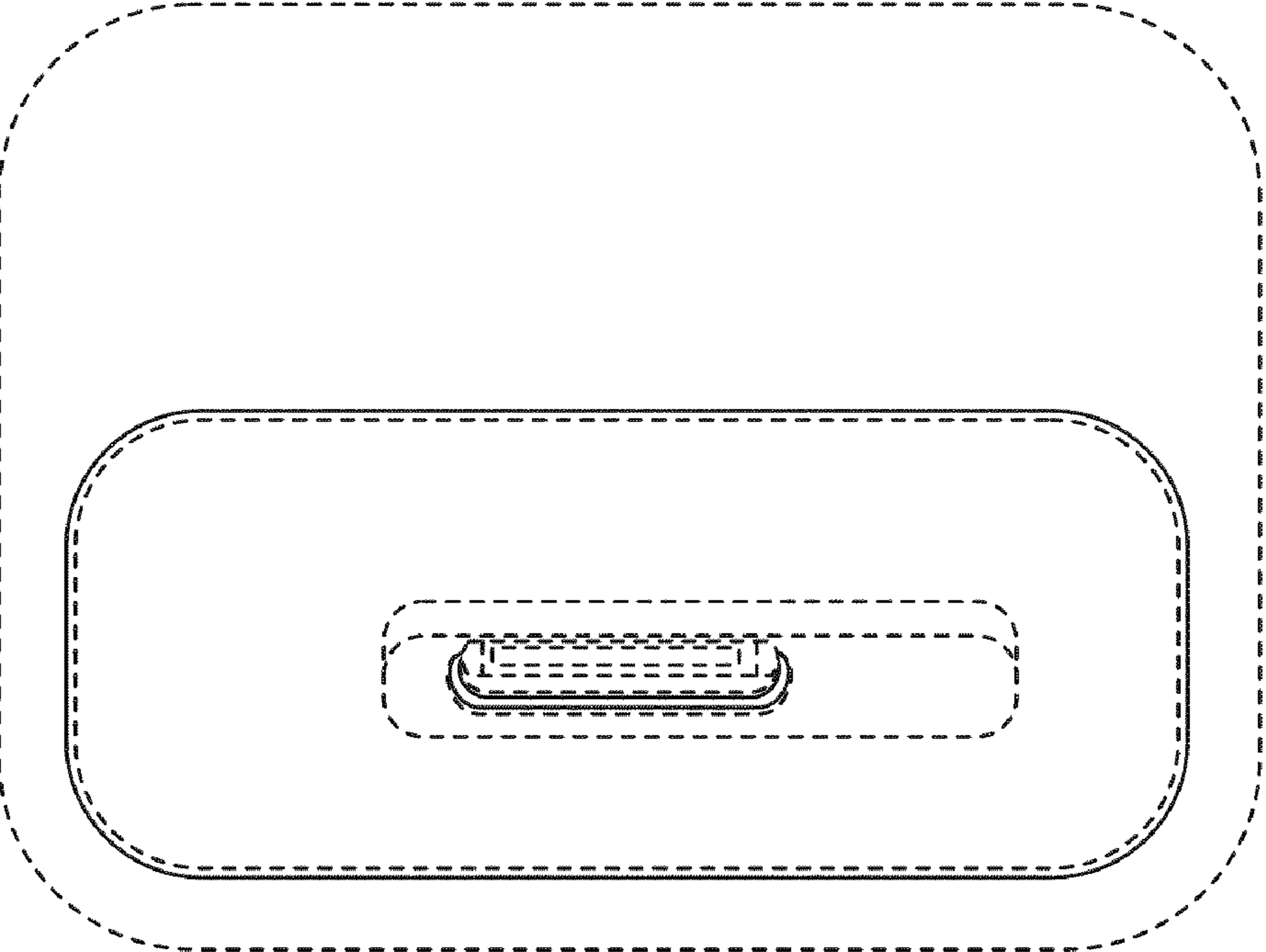


FIG. 13