



US00D626939S

(12) **United States Design Patent**
Chen

(10) **Patent No.:** **US D626,939 S**

(45) **Date of Patent:** **** Nov. 9, 2010**

(54) **SPEAKER**

(76) Inventor: **Wenliang Chen**, Jiangnan New High-Tech Electronic Information, Industrial Park, Quanzhou (CN)

(**) Term: **14 Years**

(21) Appl. No.: **29/353,418**

(22) Filed: **Jan. 8, 2010**

(51) **LOC (9) Cl.** **14-01**

(52) **U.S. Cl.** **D14/216**

(58) **Field of Classification Search** D14/204, D14/207, 209.1, 210–216, 506, 509, 168, D14/188; 181/143–144, 147–148, 150–153, 181/157, 198–199; 381/300–303, 306, 332–333, 381/336, 345, 361–364, 386–388
See application file for complete search history.

(56) **References Cited**

U.S. PATENT DOCUMENTS

D467,238 S	*	12/2002	Hlas et al.	D14/216
D485,251 S	*	1/2004	Lee	D14/509
D510,926 S	*	10/2005	Jerome	D14/500
D514,548 S	*	2/2006	Chan	D14/216
D524,799 S	*	7/2006	Hibi	D14/216
D573,135 S	*	7/2008	Laituri et al.	D14/168

* cited by examiner

Primary Examiner—Nanda Bondade
(74) *Attorney, Agent, or Firm*—Crossley Patent Law; Mark A. Crossley

(57) **CLAIM**

The ornamental design for a speaker, as shown and described.

DESCRIPTION

FIG. 1 is a bottom plan view of a speaker showing my new design;

FIG. 2 is a front perspective view thereof;

FIG. 3 is a left perspective view thereof;

FIG. 4 is right perspective view thereof;

FIG. 5 is a rear perspective view thereof illustrating a rechargeable battery partially inserted therein;

FIG. 6 is a rear elevation view thereof with the rechargeable battery inserted therein;

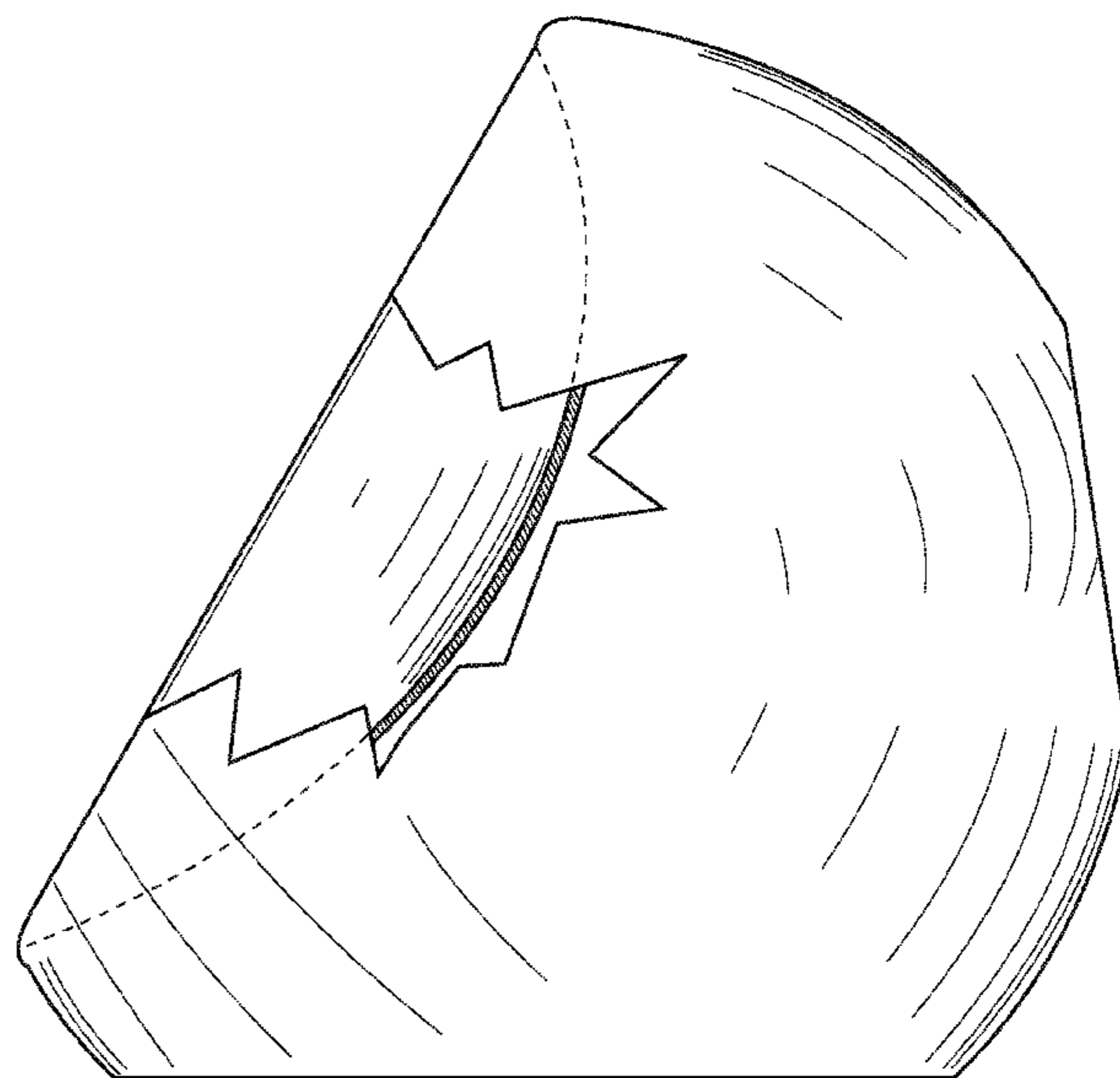
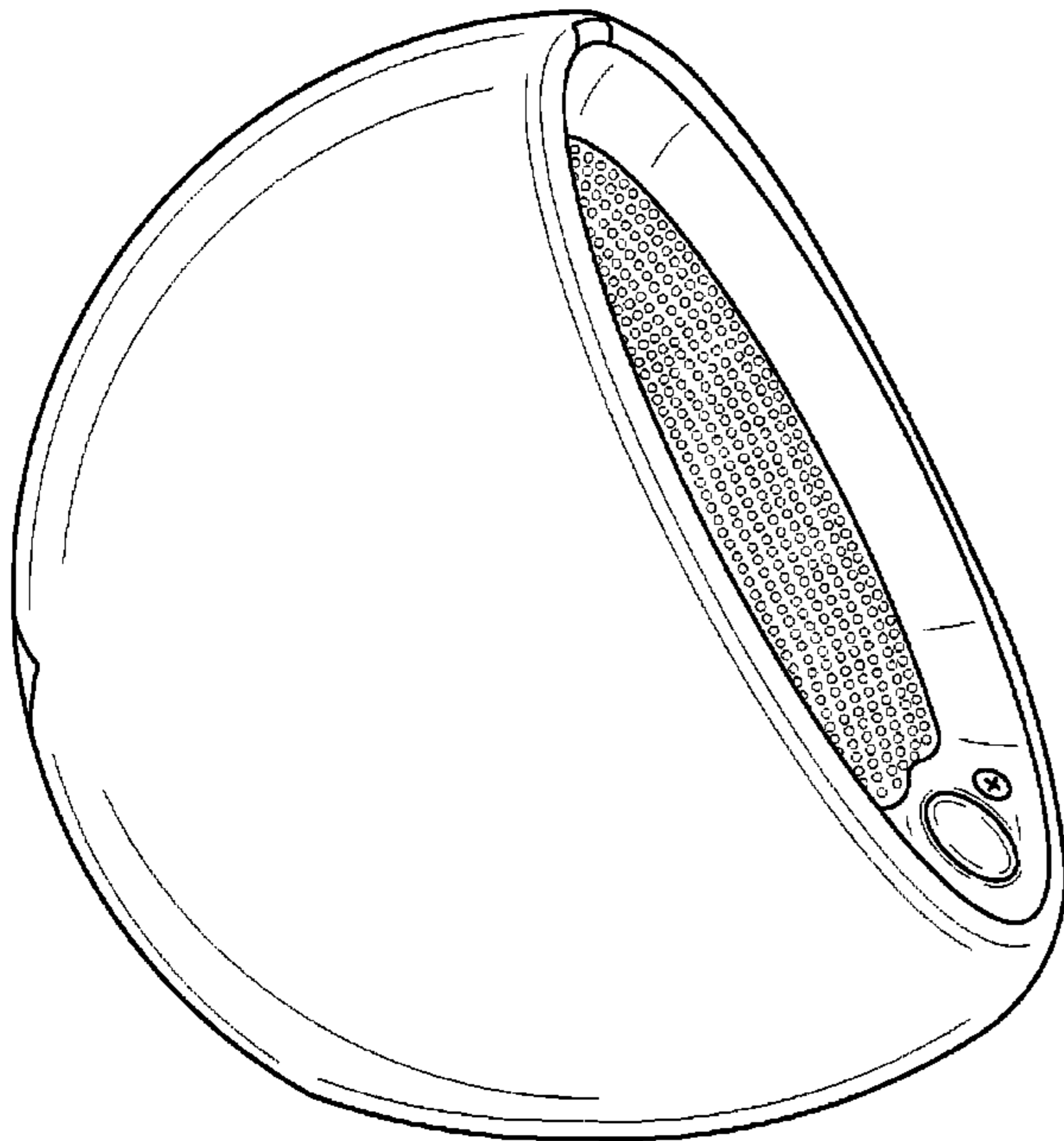
FIG. 7 is an exploded rear perspective view thereof with the rechargeable battery removed therefrom for clarity;

FIG. 8 is a top plan view of FIG. 1; and,

FIG. 9 is a right elevation view with a partial cutaway showing the depth of a speaker cavity.

The broken line showing on the drawing disclosure is for illustrative purposes only and forms no part of the claimed design.

1 Claim, 9 Drawing Sheets



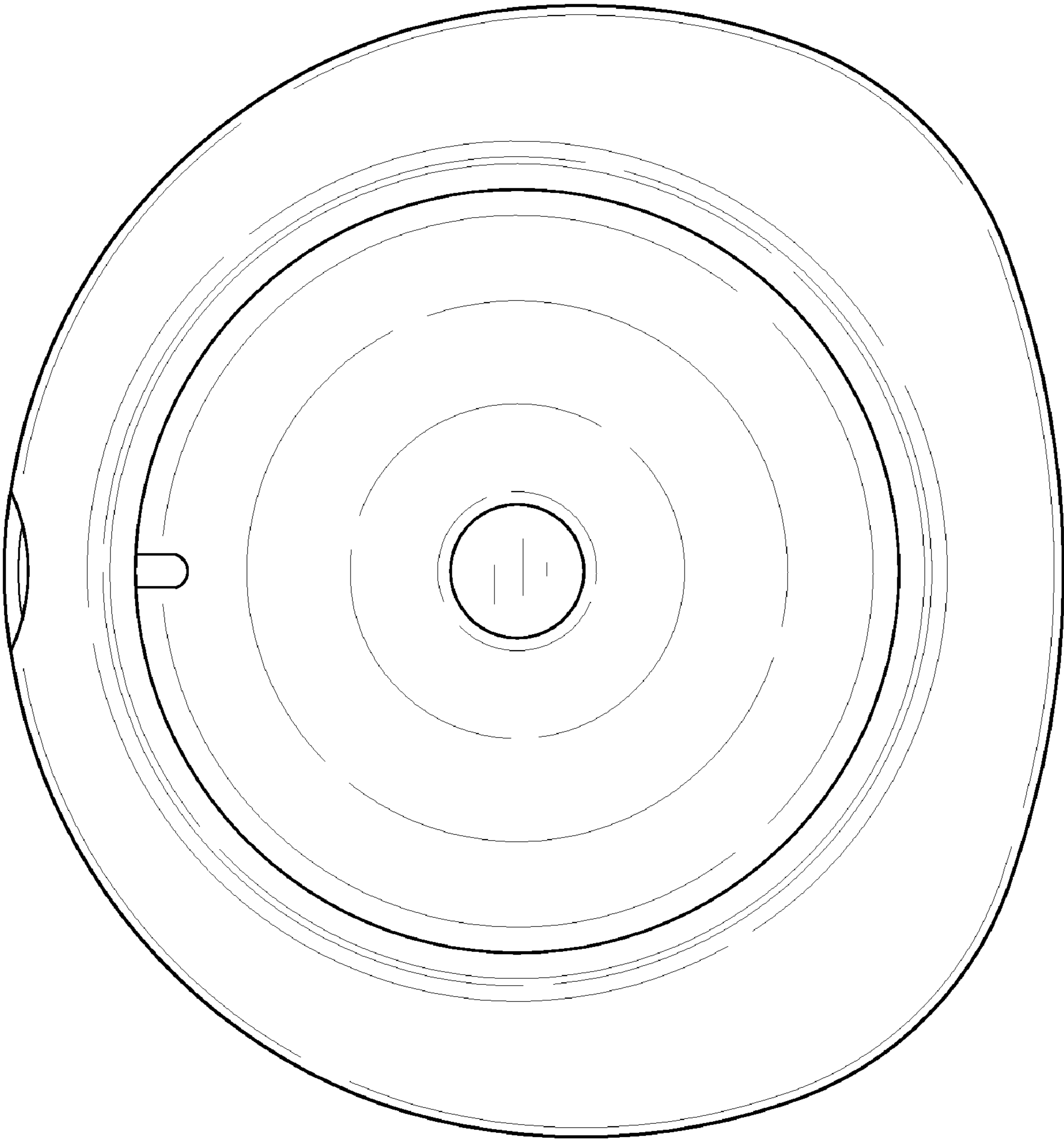


FIG. 1

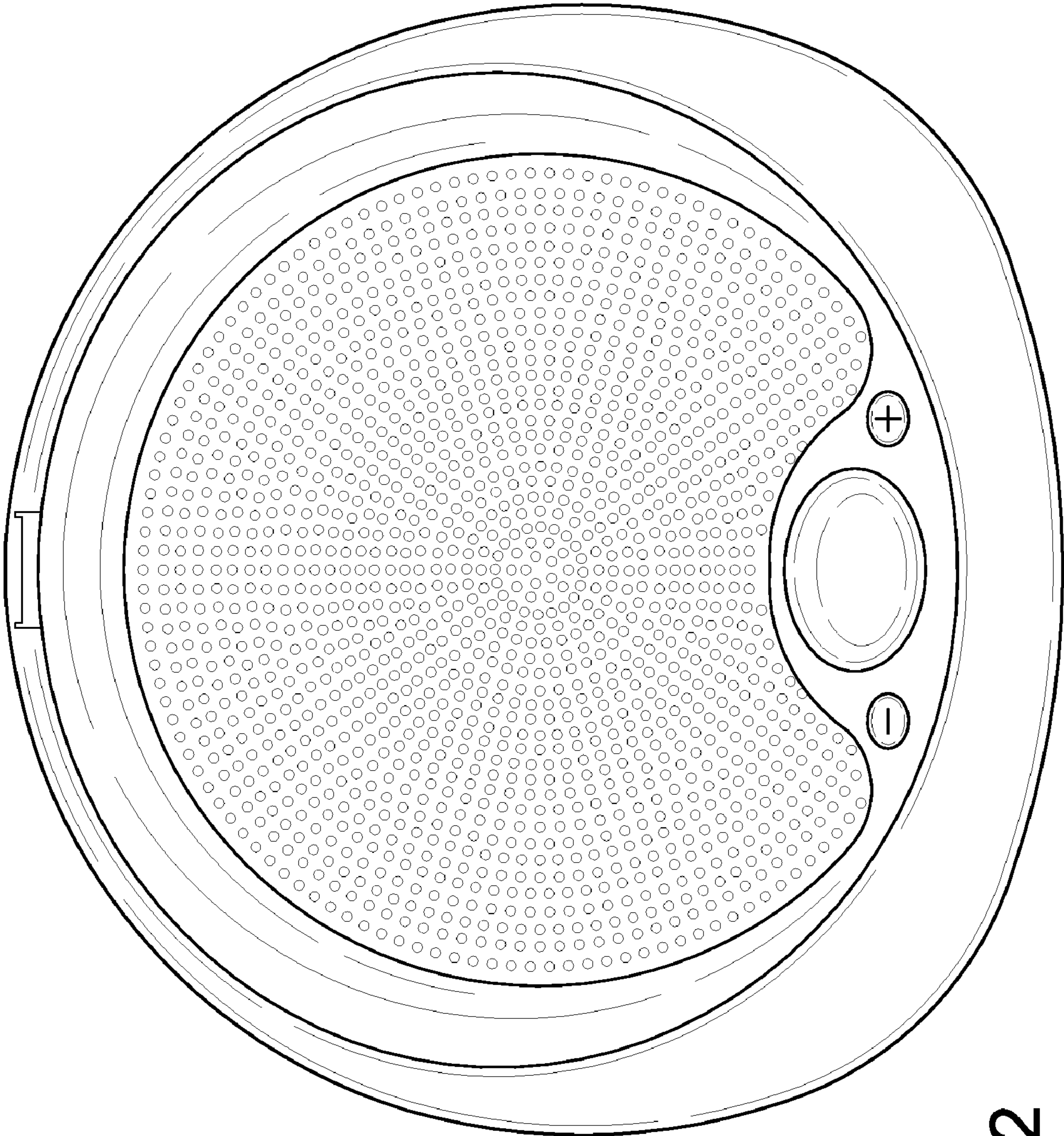


FIG. 2

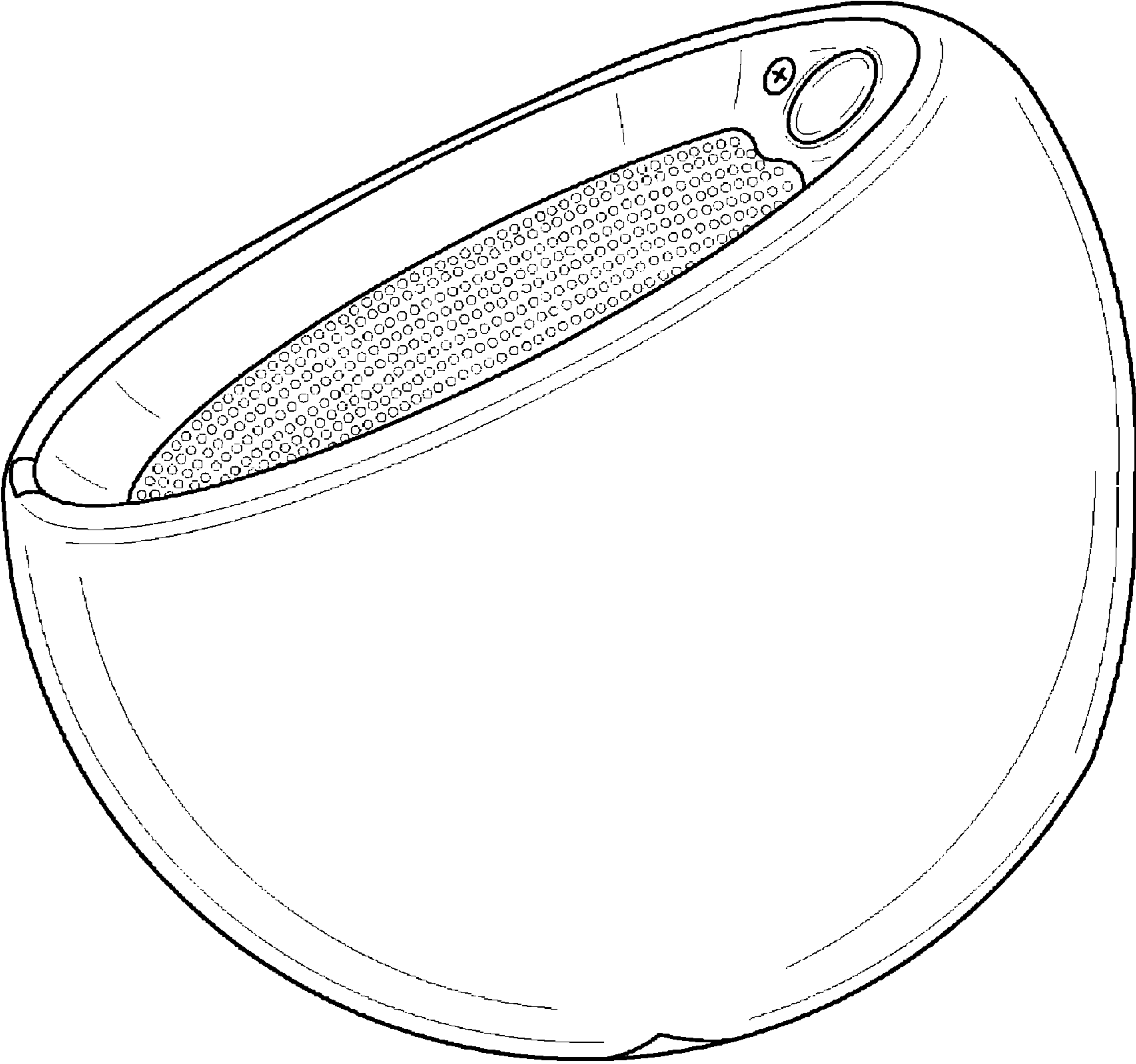


FIG. 3

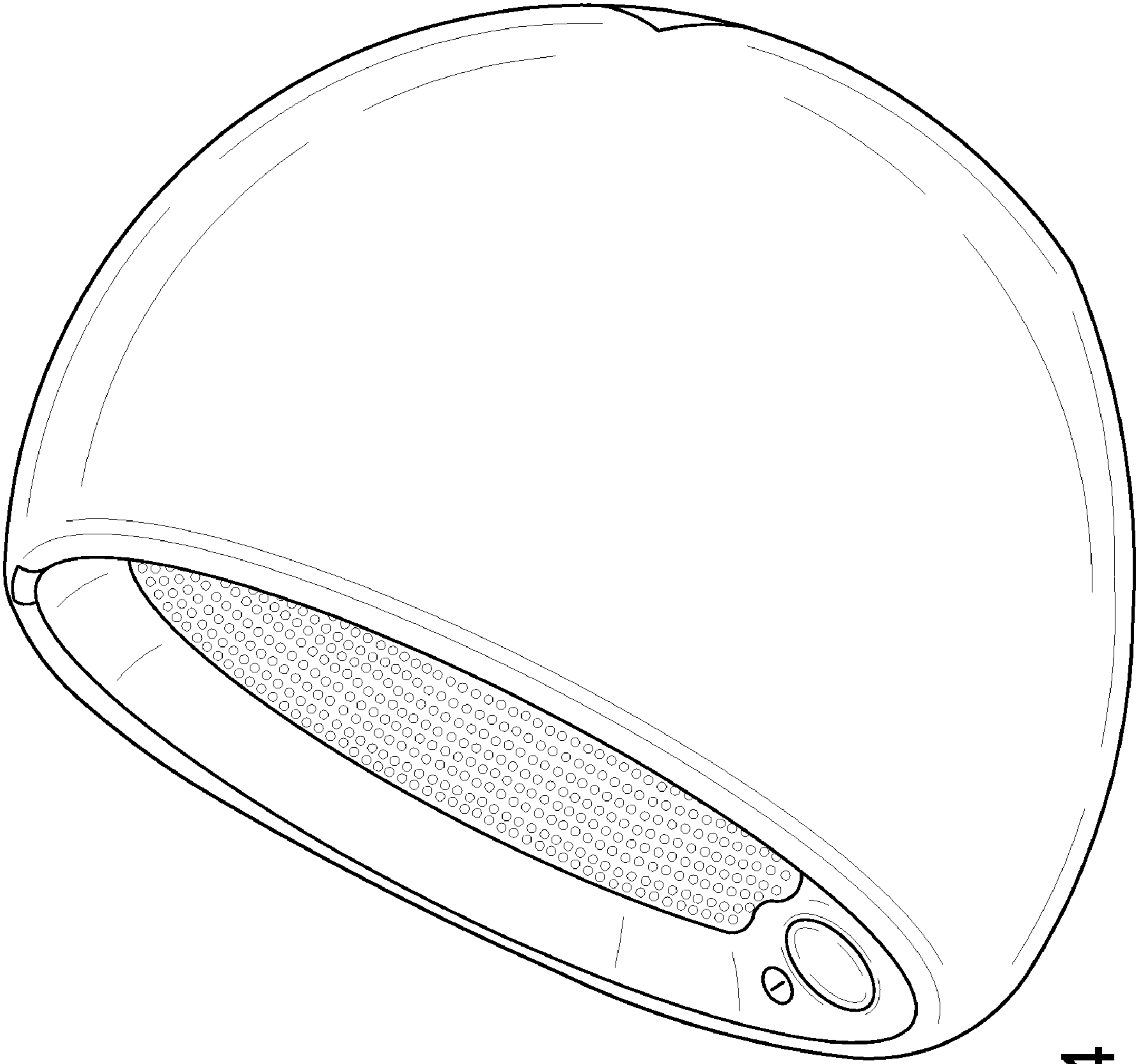


FIG. 4

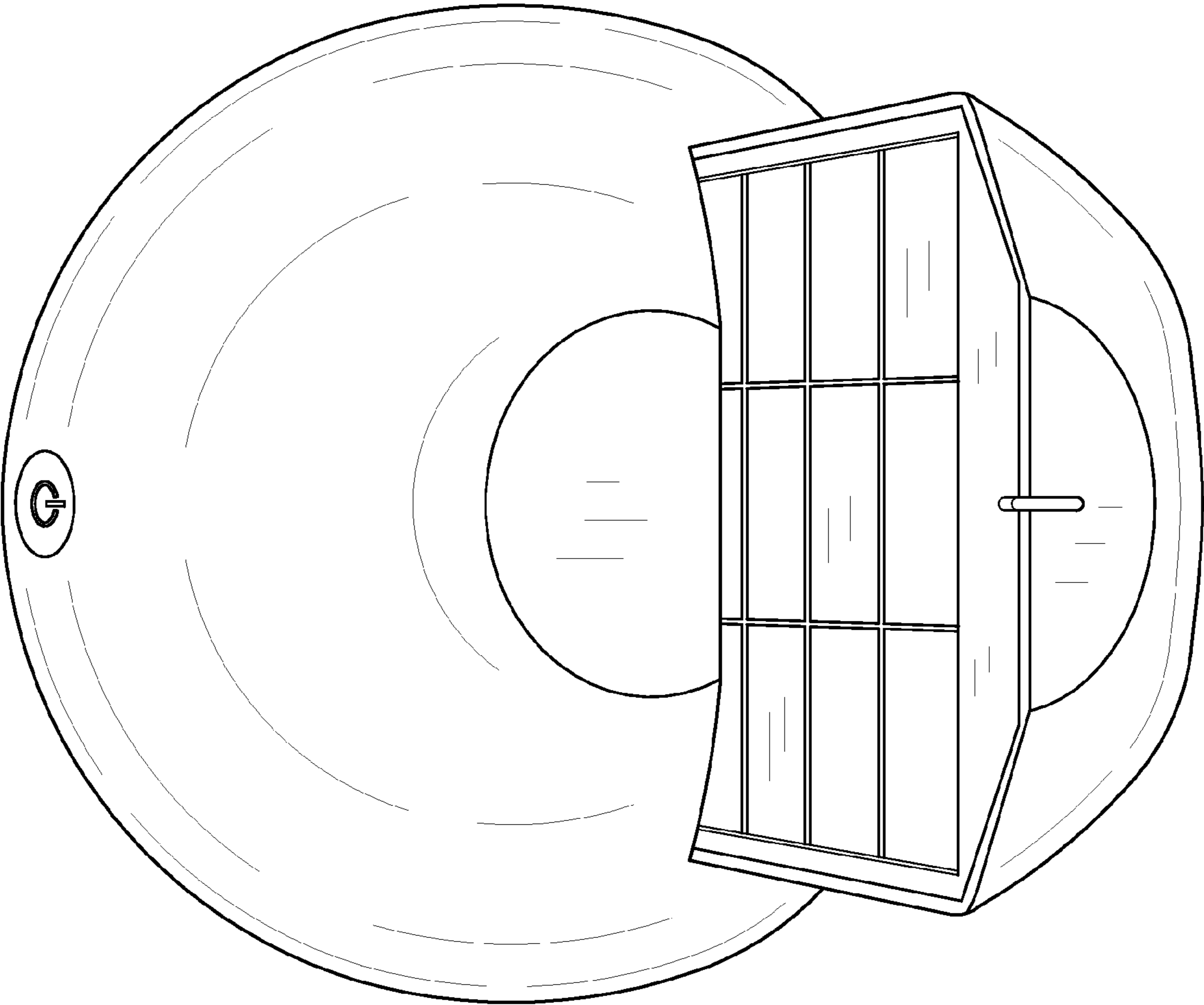


FIG. 5

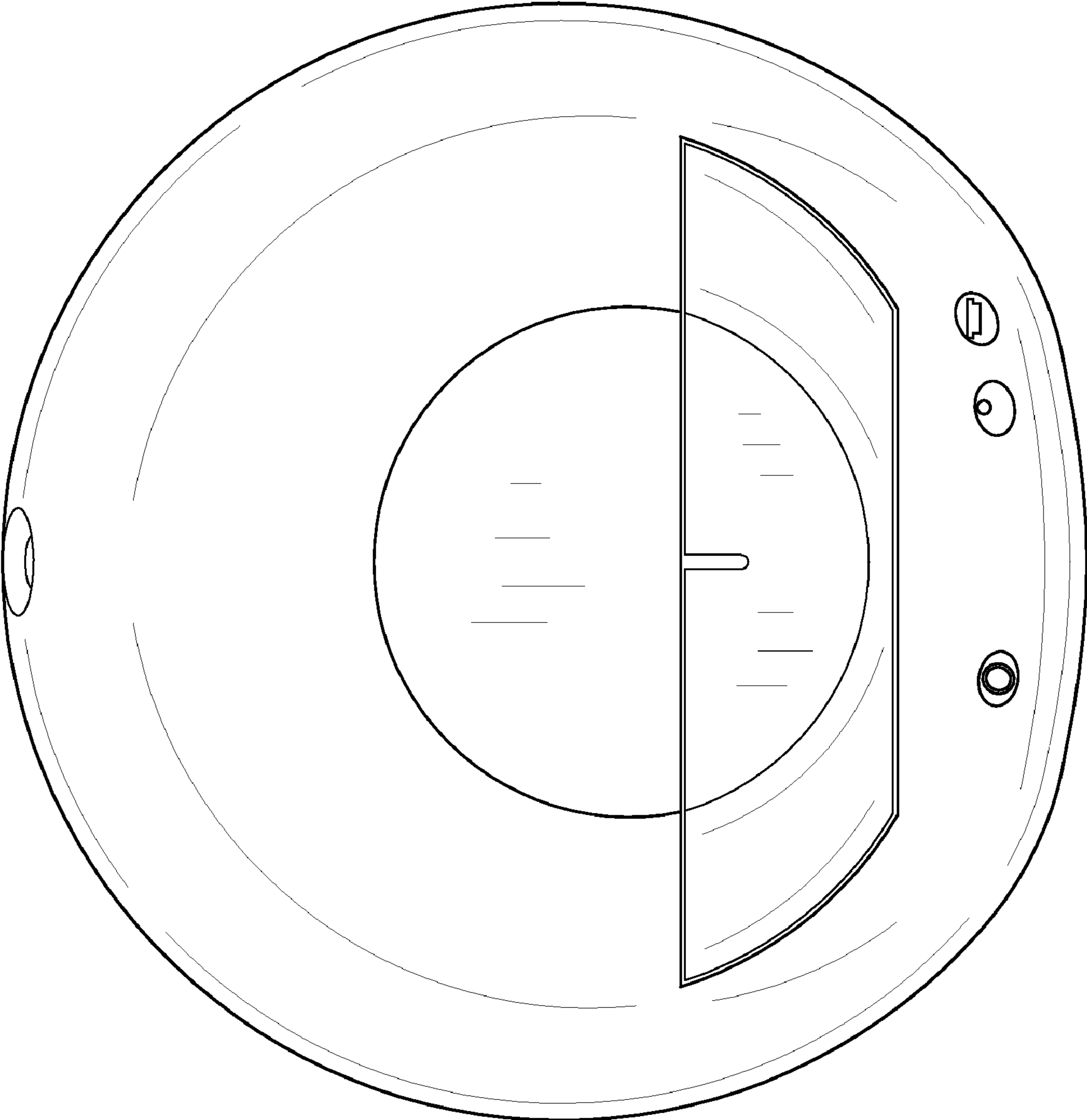
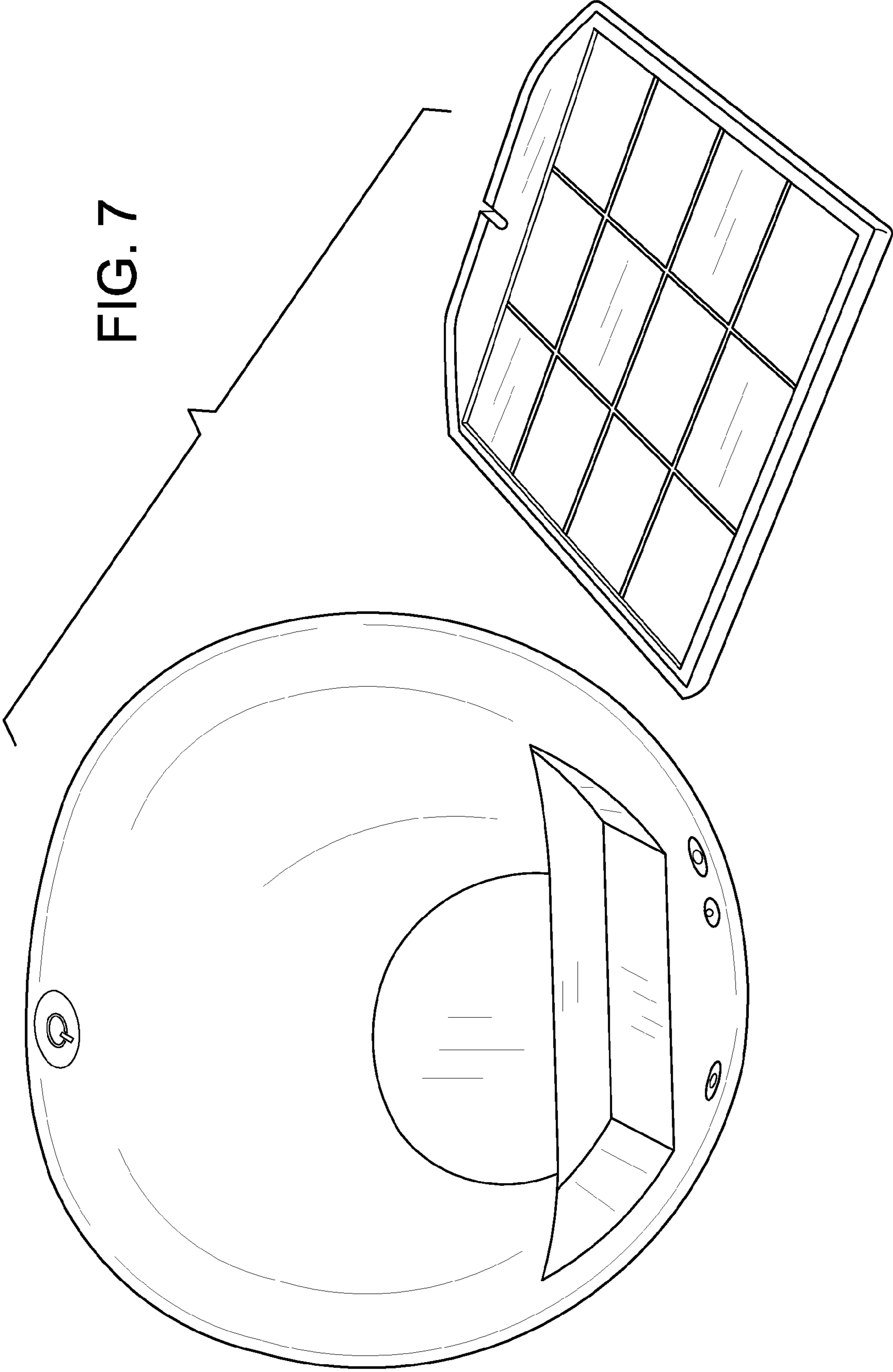


FIG. 6

FIG. 7



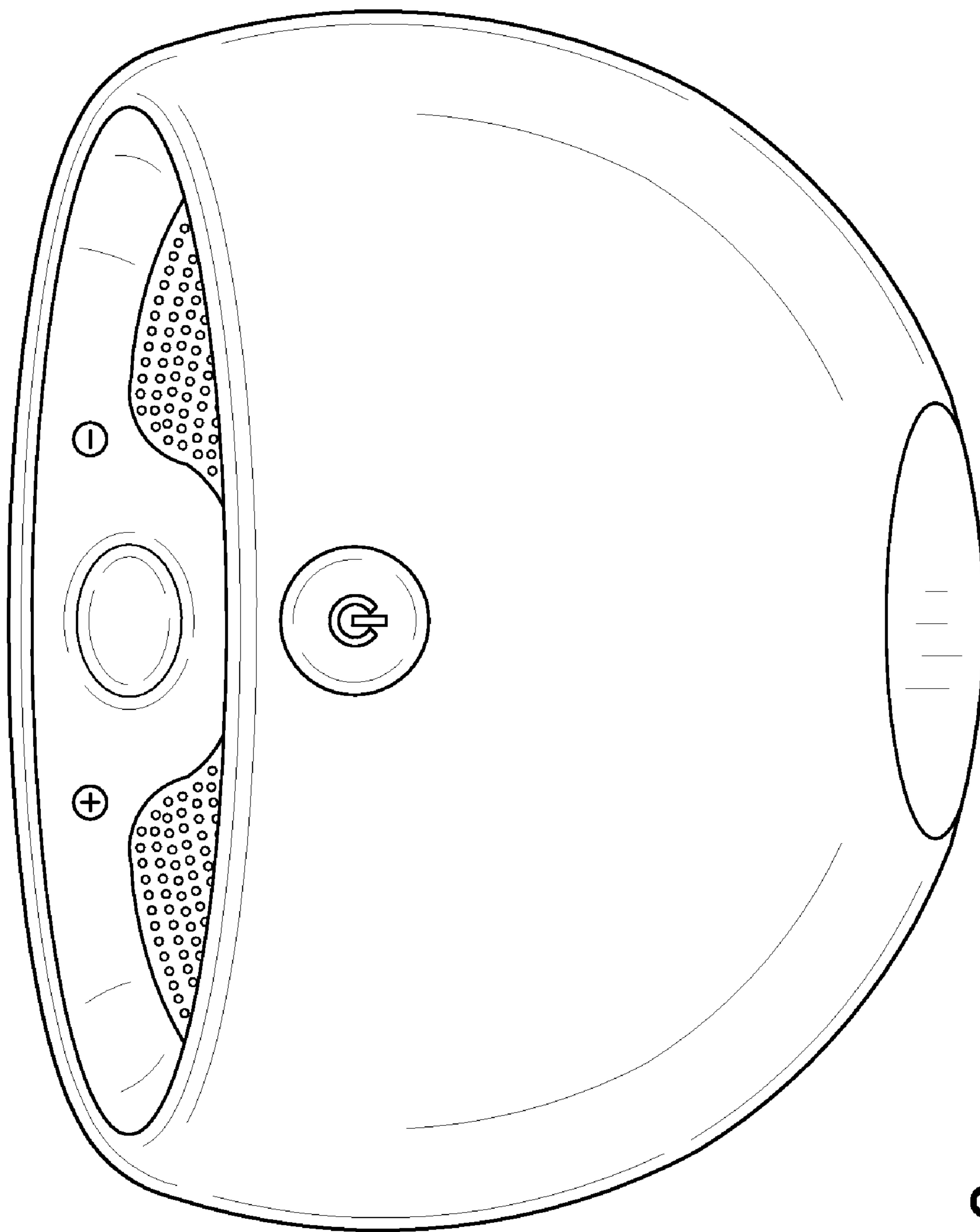


FIG. 8

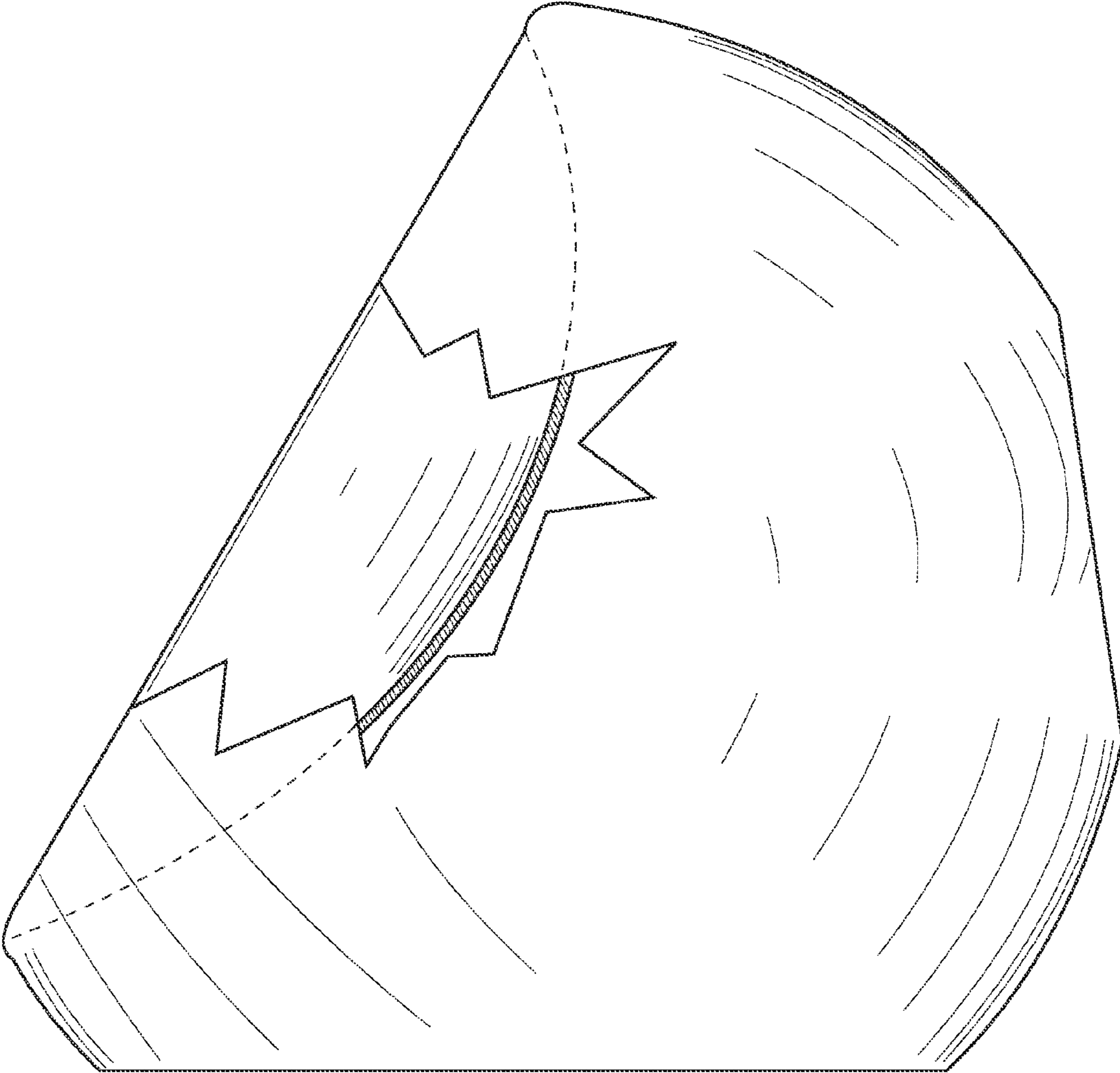


Fig. 9