



US00D626938S

(12) **United States Design Patent**  
**Moore et al.**

(10) **Patent No.:** **US D626,938 S**

(45) **Date of Patent:** **\*\* Nov. 9, 2010**

(54) **SPEAKER**

(75) Inventors: **Peter J. Moore**, Hatfield, MA (US);  
**Collin Black**, Williamsburg, MA (US);  
**Richard Rothenberg**, Northampton,  
MA (US)

(73) Assignee: **Inter-Ego Systems, Inc.**, Plainview, NY  
(US)

(\*\*) Term: **14 Years**

(21) Appl. No.: **29/338,267**

(22) Filed: **Jun. 8, 2009**

(51) **LOC (9) Cl.** ..... **14-01**

(52) **U.S. Cl.** ..... **D14/214; D14/215**

(58) **Field of Classification Search** ..... D14/204,  
D14/207, 209, 209.1, 210–216, 172; 181/143–144,  
181/147–148, 150–153, 157, 198–199; 381/300–303,  
381/306, 332–333, 336, 345, 361–364, 386–388  
See application file for complete search history.

(56) **References Cited**

U.S. PATENT DOCUMENTS

D259,932 S *	7/1981	Hawkins et al. ....	D14/212
D372,243 S *	7/1996	Thorley .....	D14/215
D471,534 S *	3/2003	Suzuki et al. ....	D14/215
D508,690 S *	8/2005	Hioki .....	D14/214

\* cited by examiner

*Primary Examiner*—Nanda Bondade  
(74) *Attorney, Agent, or Firm*—Greenberg Traurig LLP

(57) **CLAIM**

The ornamental design for a speaker, as shown and described.

**DESCRIPTION**

FIG. 1 is a perspective view of a speaker showing the present design;

FIG. 2 is a front elevation view of a speaker showing the present design;

FIG. 3 is a right elevation view of a speaker showing the present design;

FIG. 4 is a front and left elevation view of a speaker showing the present design;

FIG. 5 is a top view of a speaker showing the present design;

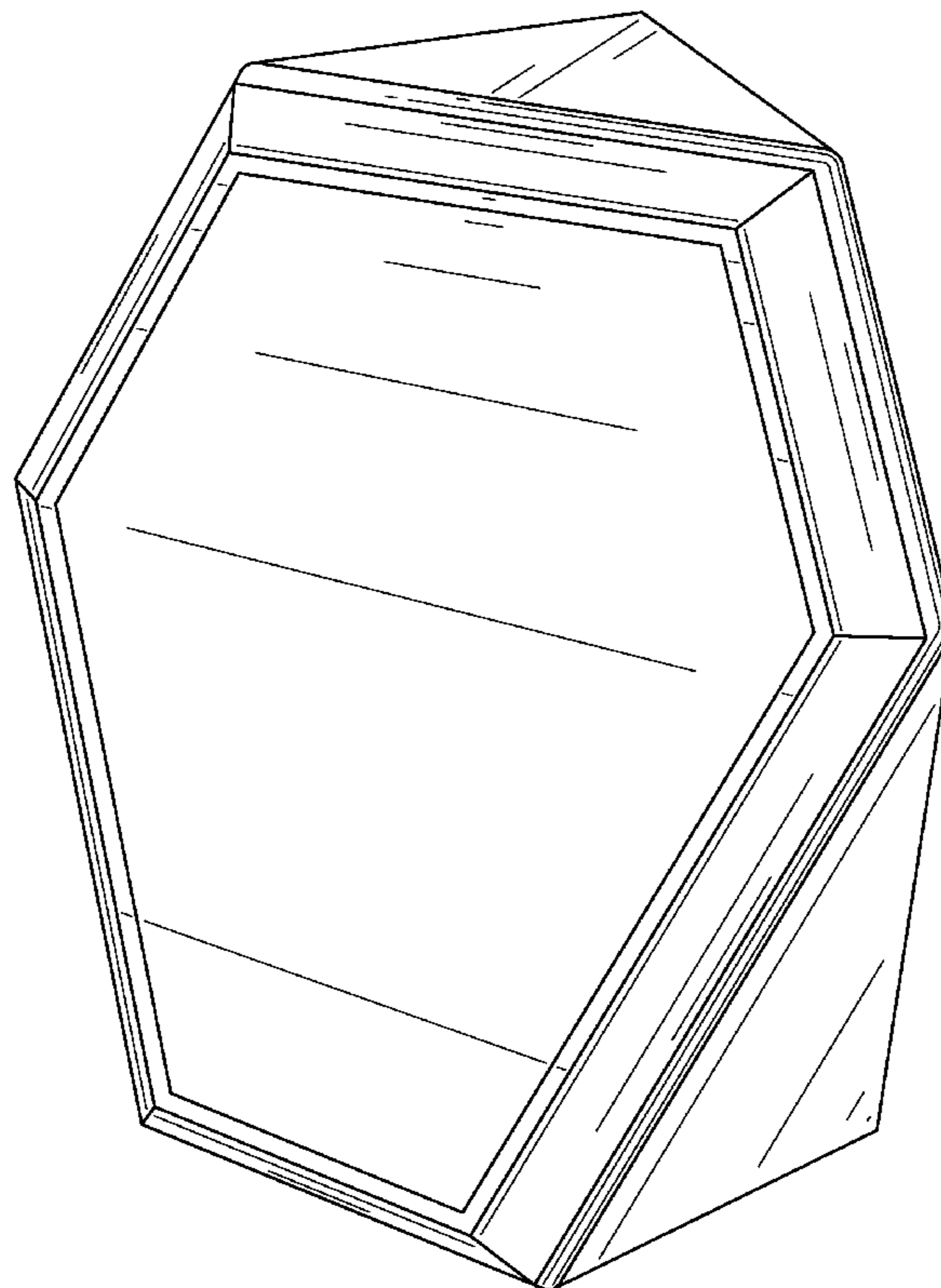
FIG. 6 is a bottom view of a speaker showing the present design;

FIG. 7 is a perspective view of a speaker showing the present design with grill removed; and,

FIG. 8 is a rear elevation view of a speaker showing the present design.

The broken line showing on the drawing disclosure is for illustrative purposes only and forms no part of the claimed design.

**1 Claim, 8 Drawing Sheets**



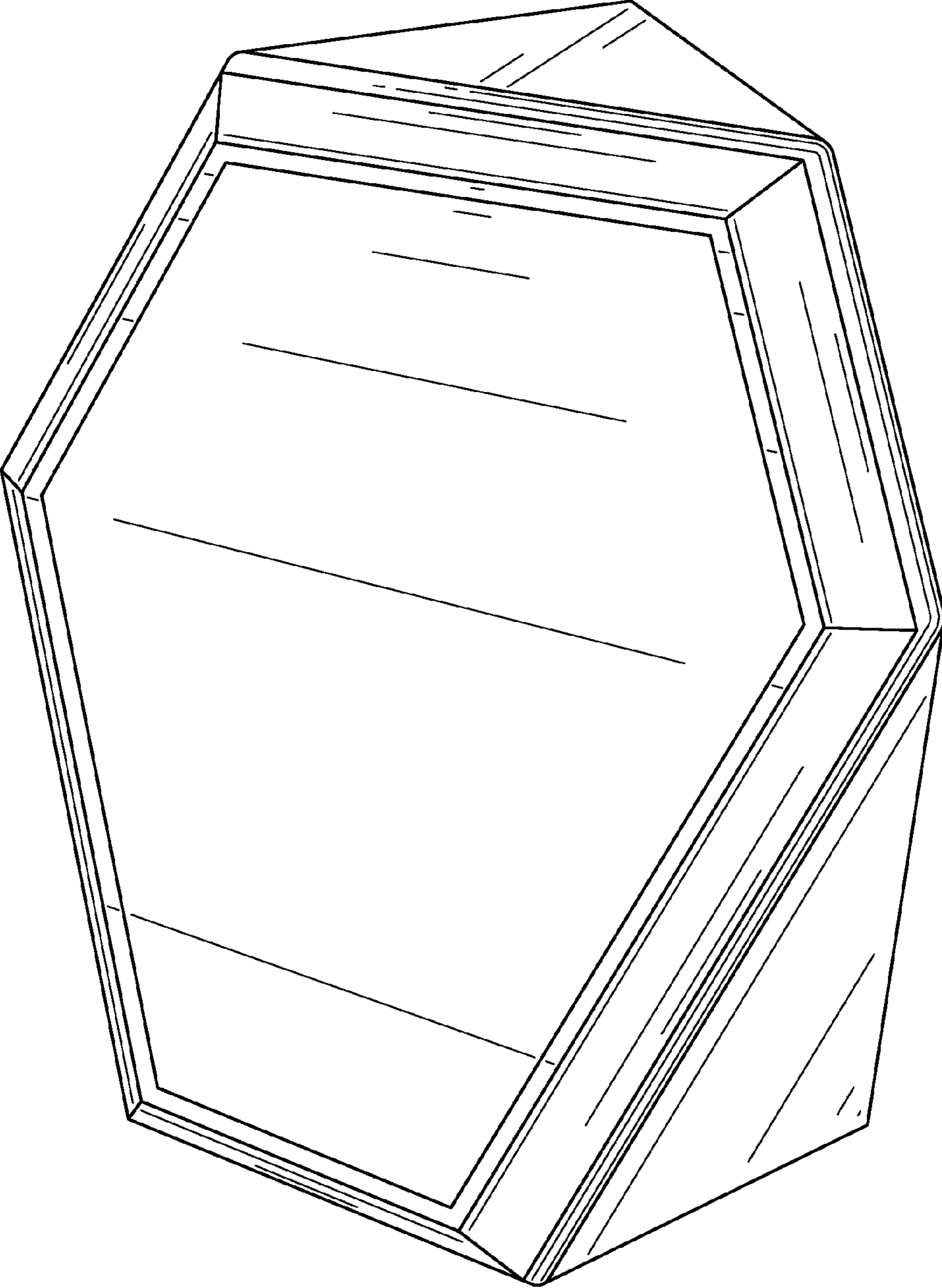


FIG. 1

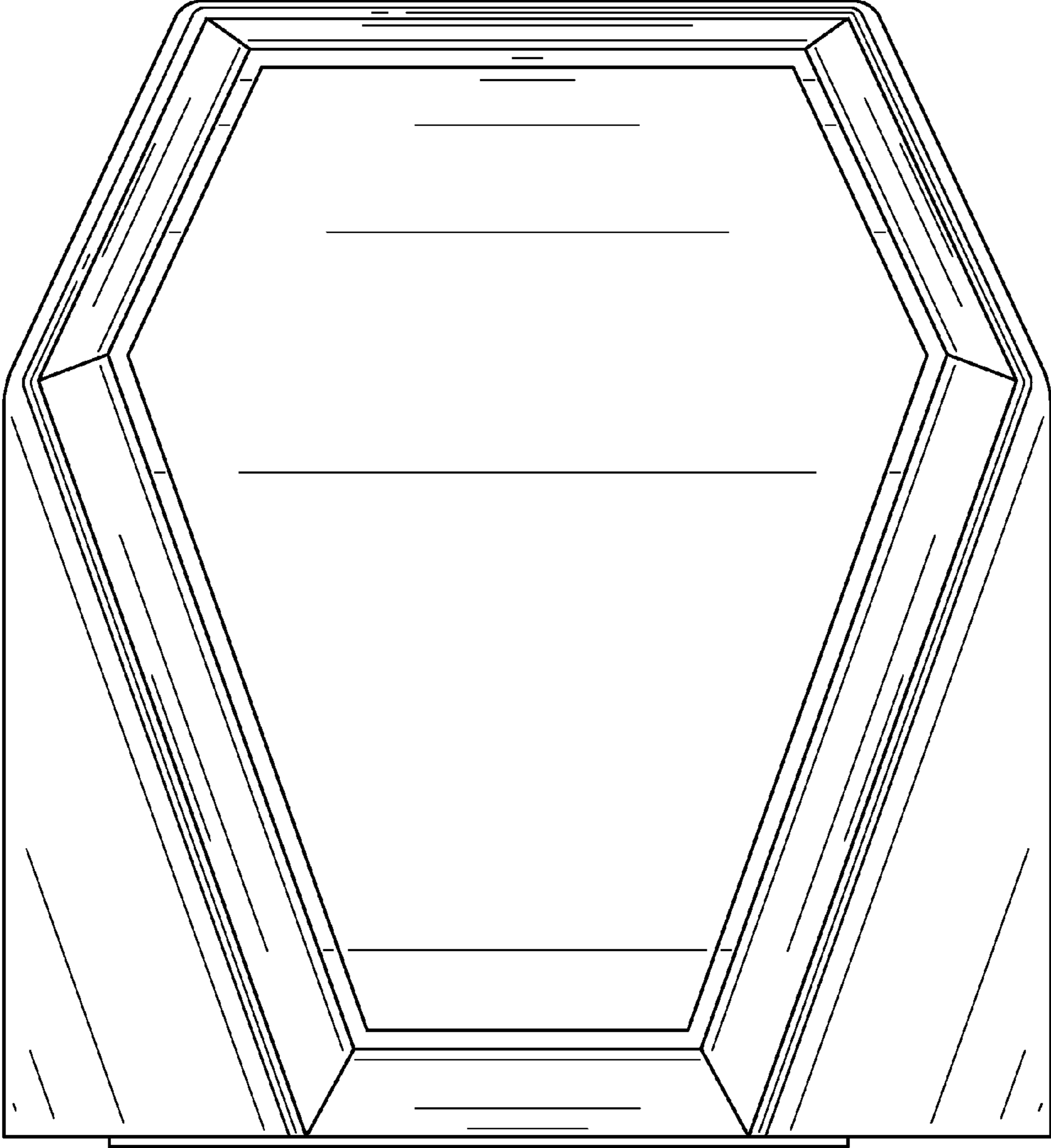


FIG. 2

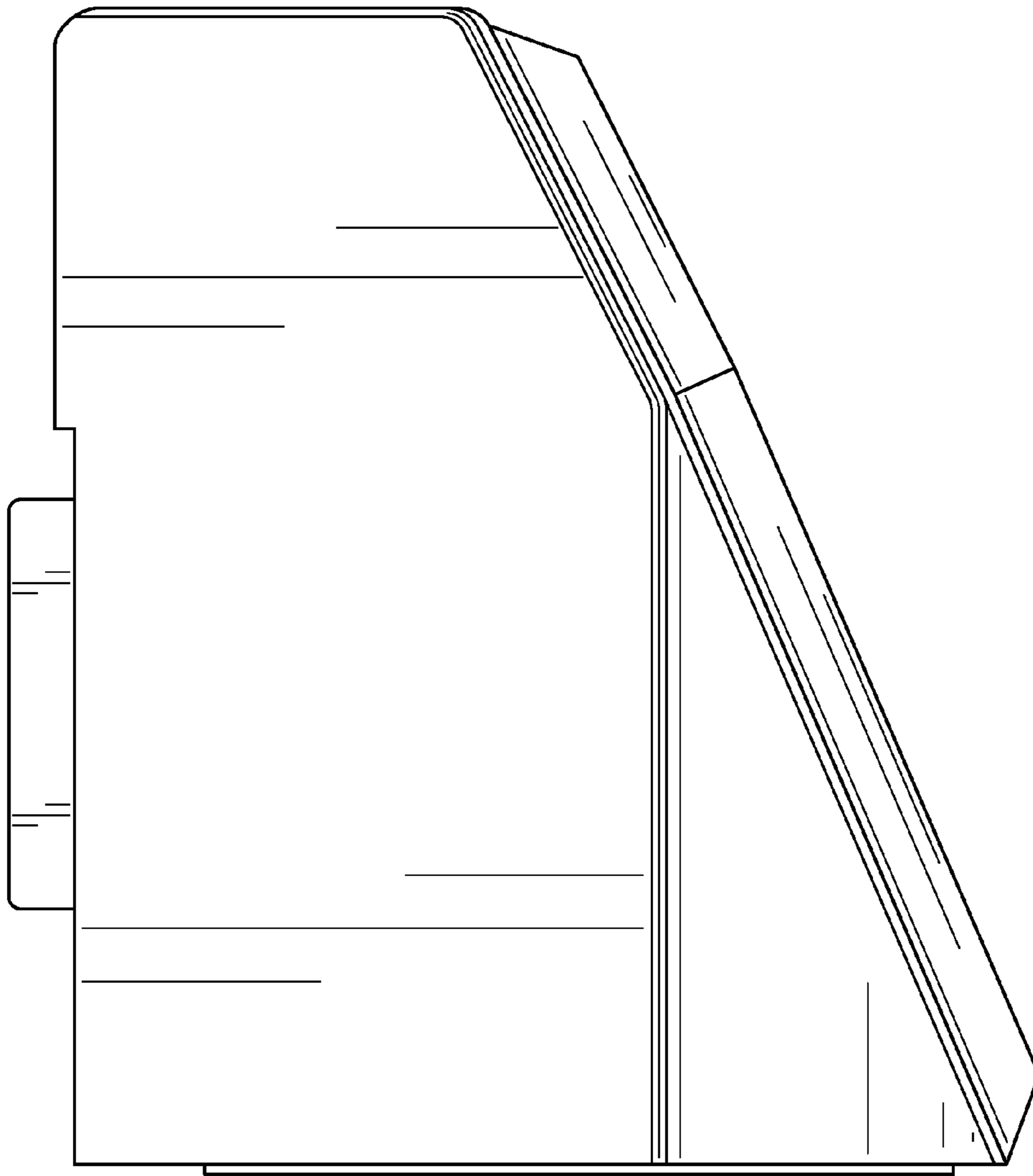


FIG. 3

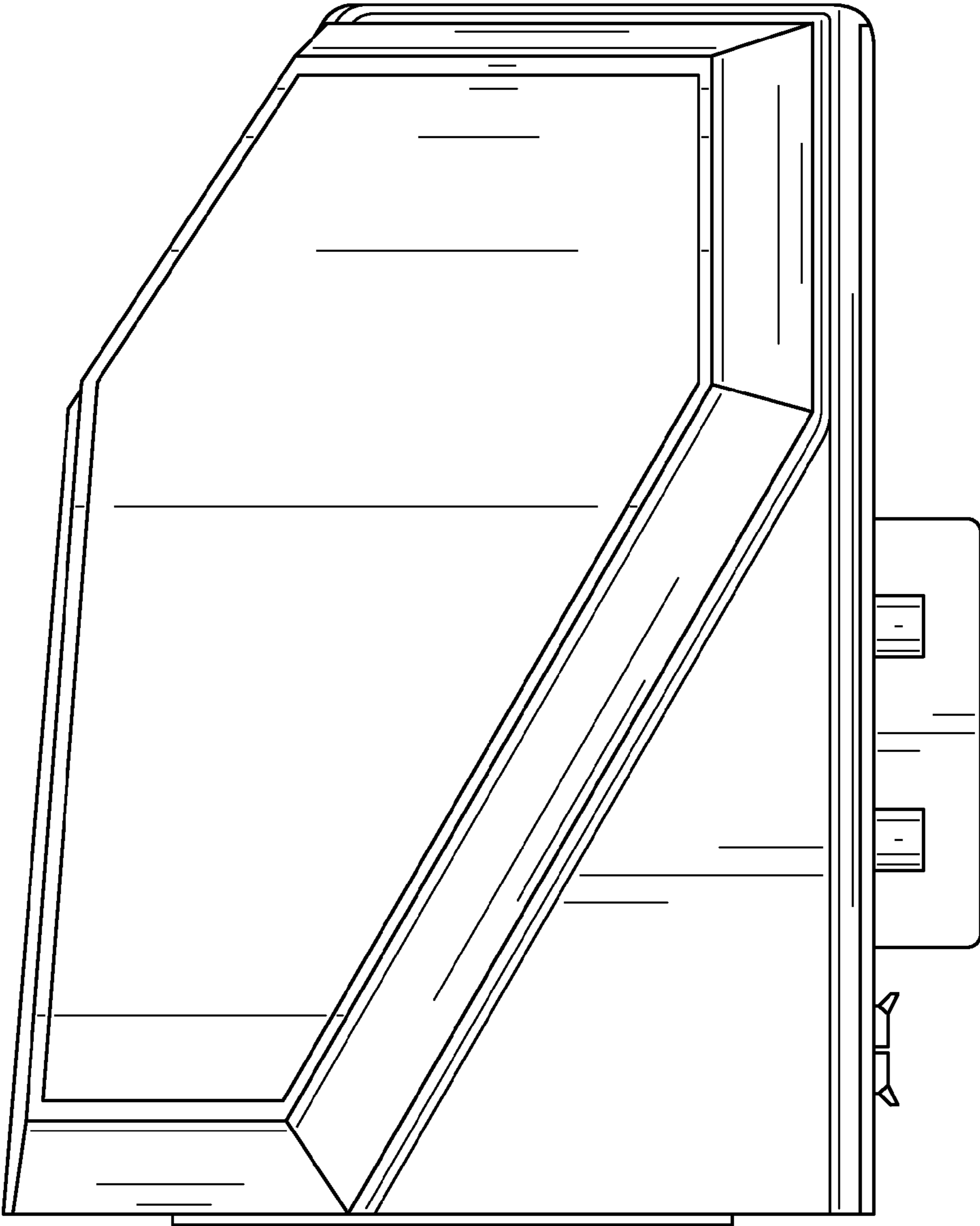


FIG. 4

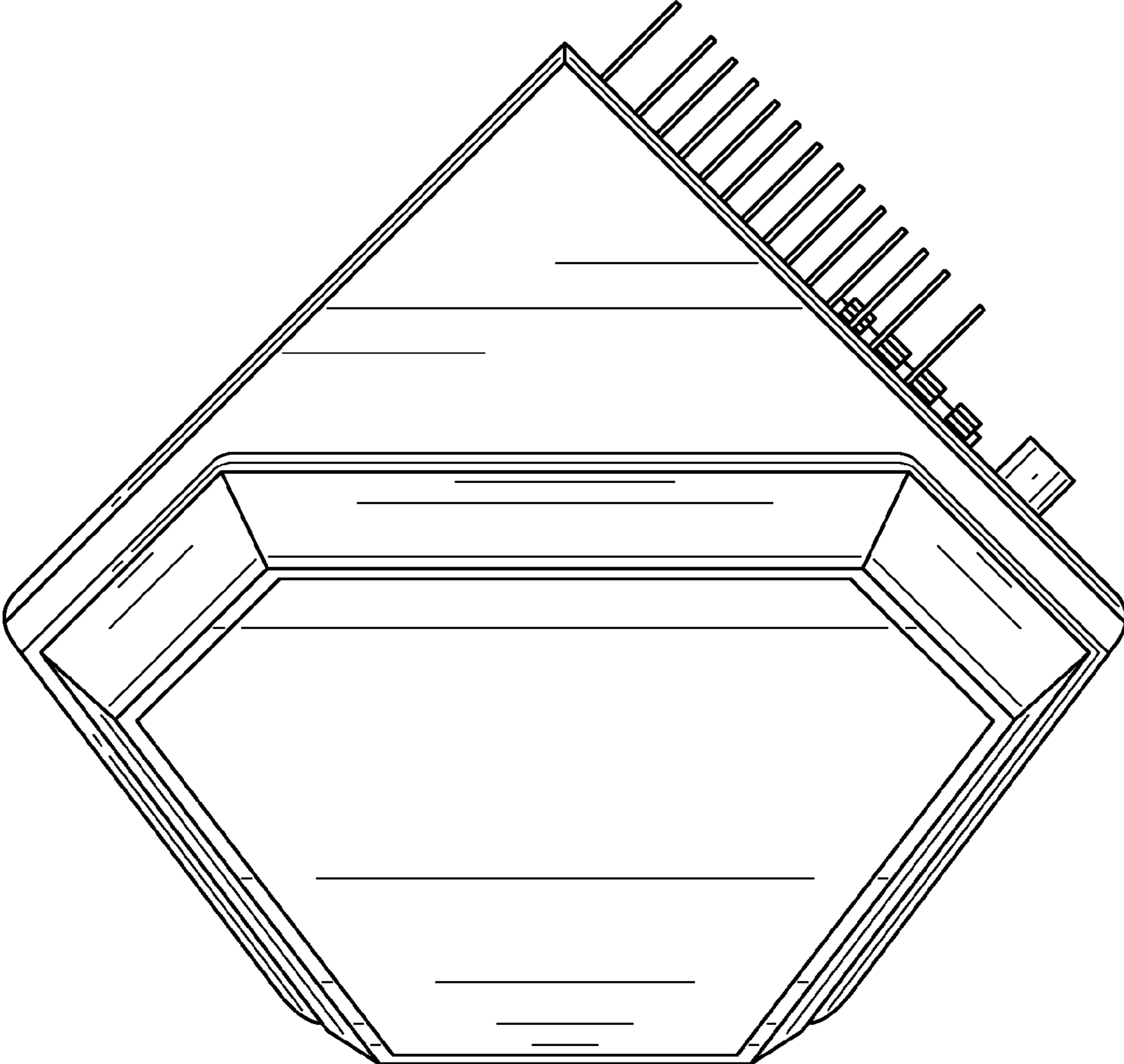


FIG. 5

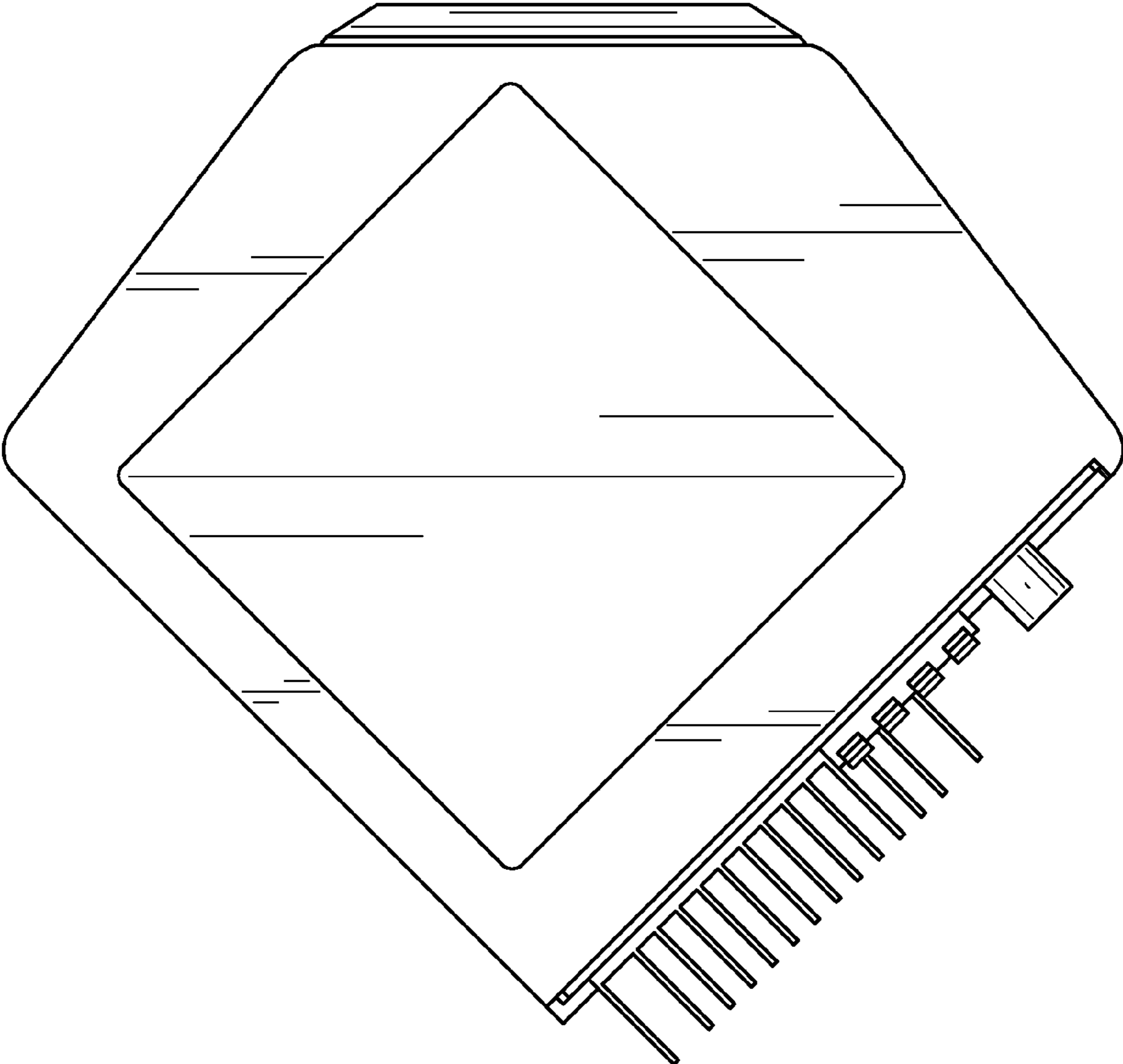


FIG. 6

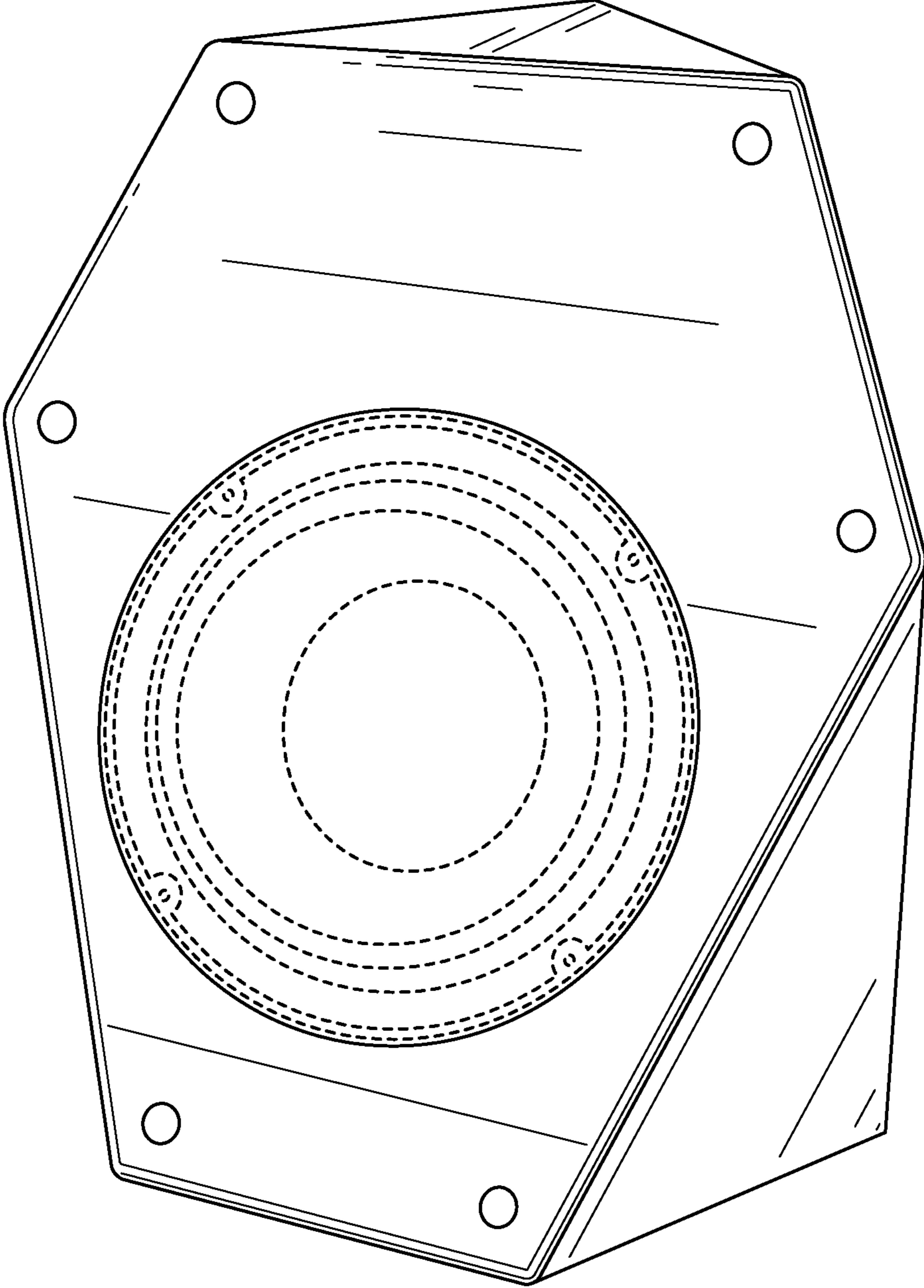


FIG. 7



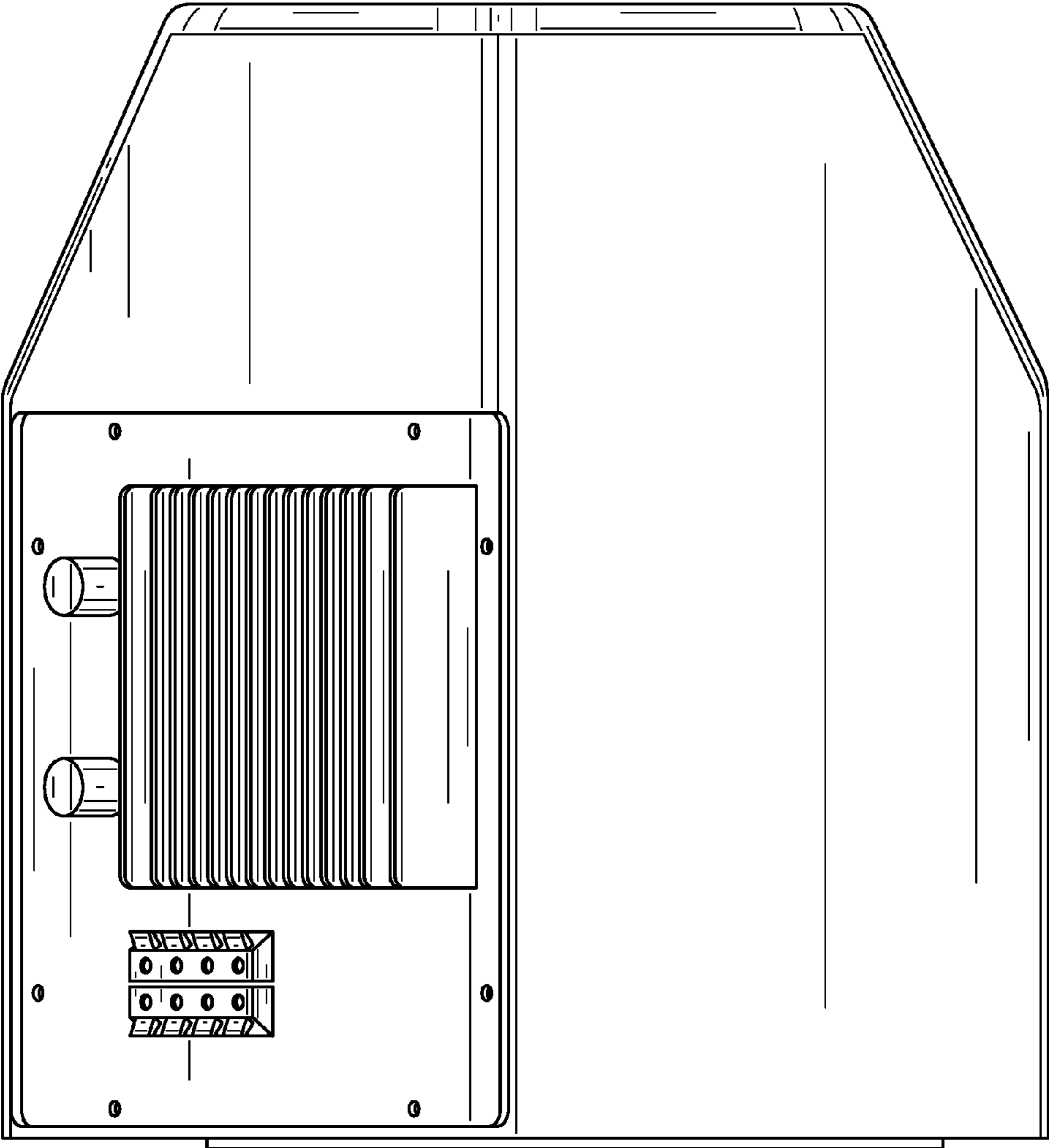


FIG. 8