



US00D626935S

(12) **United States Design Patent**
Ohtani et al.

(10) **Patent No.:** **US D626,935 S**

(45) **Date of Patent:** **** Nov. 9, 2010**

(54) **AMPLIFIER**

(75) Inventors: **Yoshiko Ohtani**, Tokyo (JP); **Hisaya Hagiwara**, Kanagawa (JP)

(73) Assignee: **Kabushiki Kaisha Audio-Technica**, Tokyo (JP)

(**) Term: **14 Years**

(21) Appl. No.: **29/359,157**

(22) Filed: **Apr. 7, 2010**

(30) **Foreign Application Priority Data**

Oct. 8, 2009 (JP) 2009-023577

(51) **LOC (9) Cl.** **14-03**

(52) **U.S. Cl.** **D14/192; D14/238.1**

(58) **Field of Classification Search** D14/168,
D14/169, 179, 188, 191, 192, 194-198, 215,
D14/217, 238.1, 257, 265, 299, 496; 330/1 R,
330/3, 4, 250; 381/86, 120; 455/344-351

See application file for complete search history.

(56) **References Cited**

U.S. PATENT DOCUMENTS

D313,020 S * 12/1990 Ichikawa D14/192
D361,766 S * 8/1995 Mackay D14/167
D420,665 S * 2/2000 Rosenberg et al. D14/188
D441,735 S * 5/2001 Katayama D14/203.7
D492,665 S * 7/2004 Lee D14/218
D512,711 S * 12/2005 Skulley D14/223
D524,297 S * 7/2006 Lee D14/218
D543,537 S * 5/2007 Chau D14/218

D558,740 S * 1/2008 Jaakkola et al. D14/223
D572,233 S * 7/2008 Tuli D14/192
D588,545 S * 3/2009 Andre et al. D13/154
D596,614 S * 7/2009 Wilson D14/188
D596,615 S * 7/2009 Wilson D14/188
D600,237 S * 9/2009 Kwon et al. D14/223
2008/0032737 A1 * 2/2008 Liu et al. 455/556.1

OTHER PUBLICATIONS

“Audio-Technica AT-PHA30i iPod Amplifier”, HardwareSphere.com, <http://www.hardwareisphere.com/2009/11/23/audio-technica-at-pha30i-ipod-amplifier/>, dated Nov. 23, 2009, accessed Jul. 30, 2010, 1pg.*

* cited by examiner

Primary Examiner—Stella M Reid

Assistant Examiner—Keli L Hill

(74) *Attorney, Agent, or Firm*—Whitham Curtis Christofferson & Cook, PC

(57) **CLAIM**

We claim the ornamental design for the amplifier, as shown and described.

DESCRIPTION

FIG. 1 is a front elevational view of the amplifier;
FIG. 2 is a rear elevational view of the amplifier;
FIG. 3 is a top plane view of the amplifier;
FIG. 4 is a bottom plane view of the amplifier;
FIG. 5 is a right side elevational view of the amplifier;
FIG. 6 is a left side elevational view of the amplifier; and,
FIG. 7 is a perspective view of the amplifier.

1 Claim, 7 Drawing Sheets

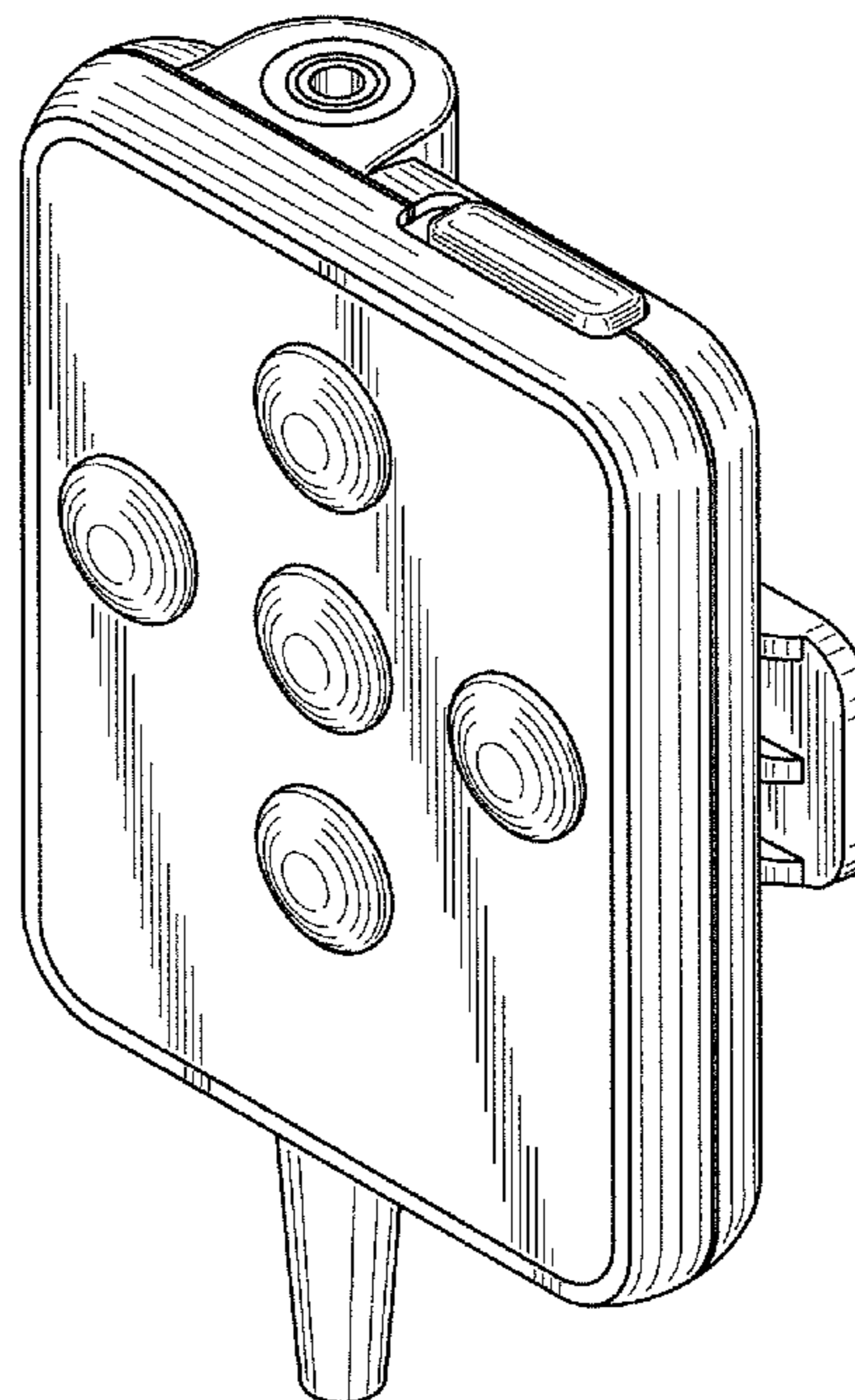
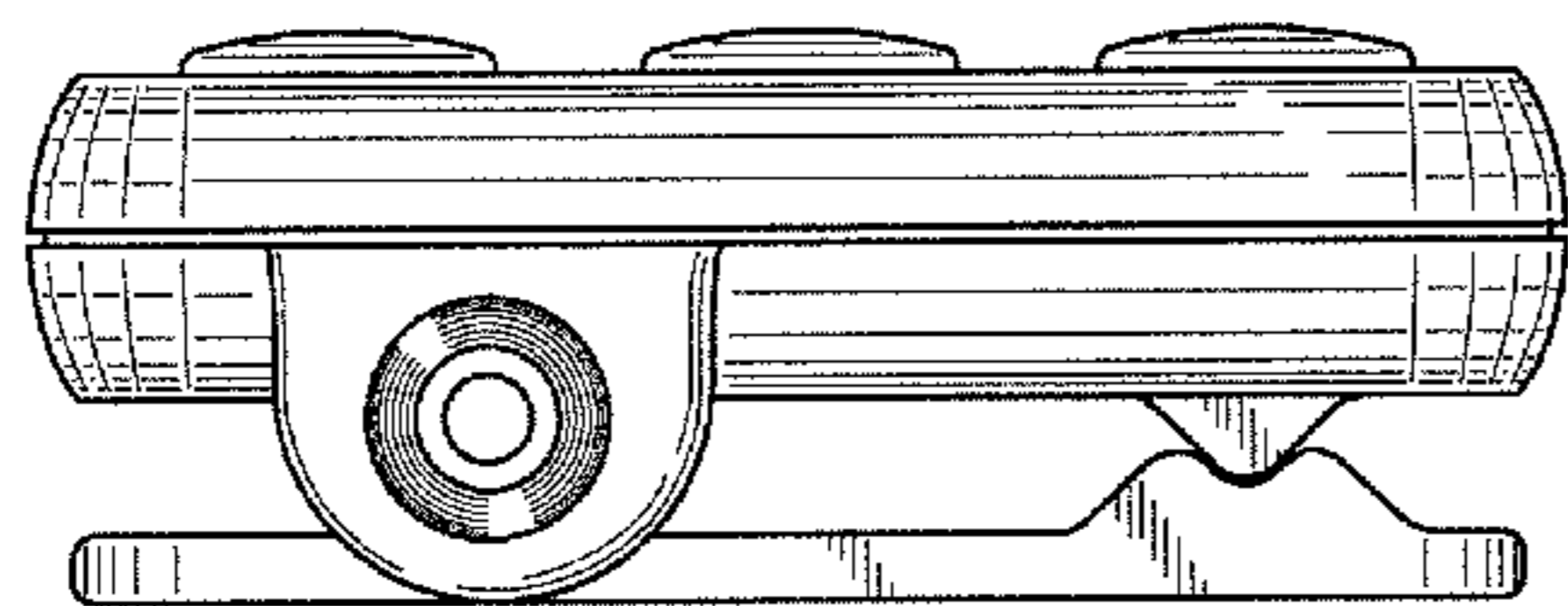


FIGURE 1

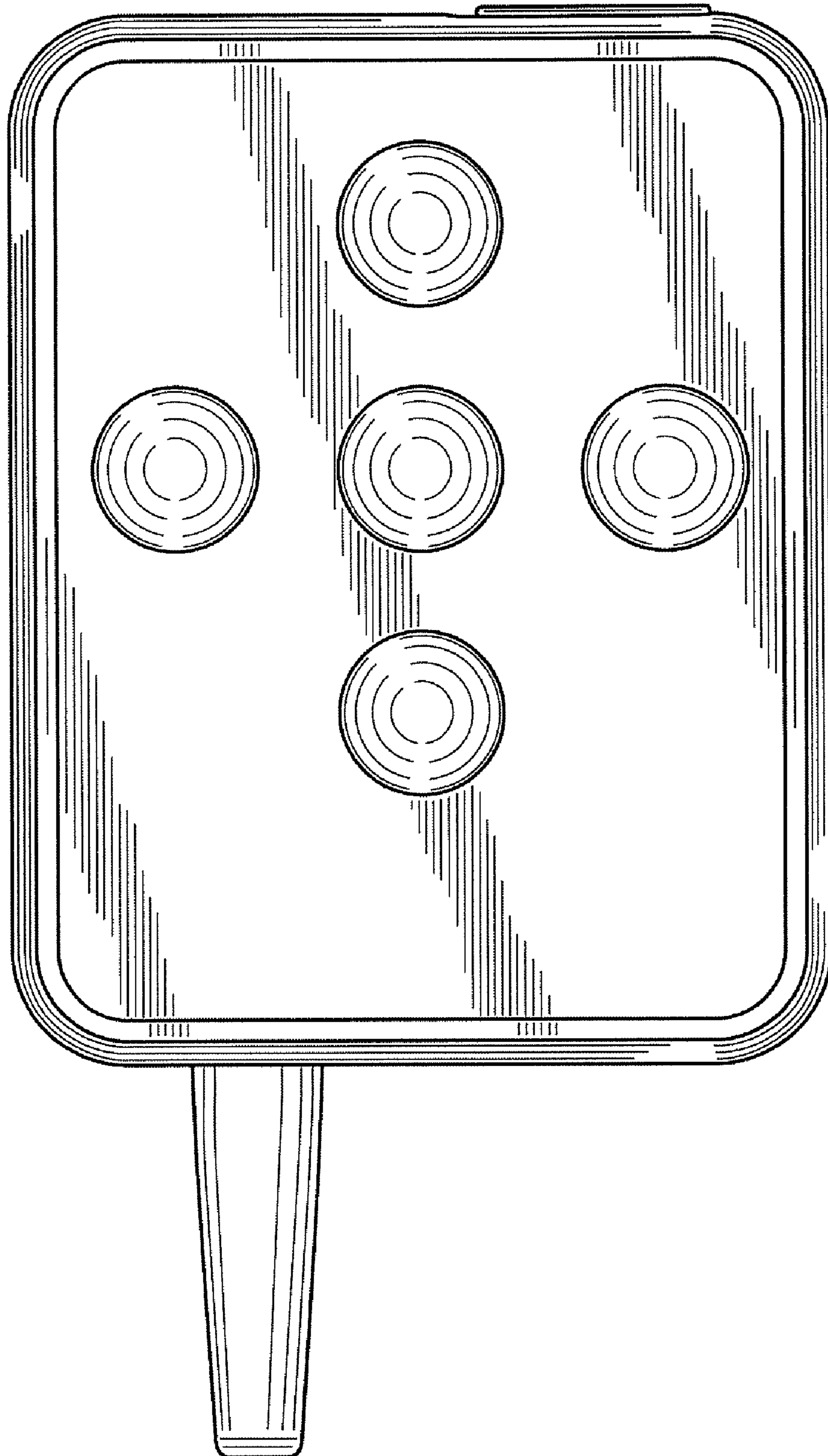


FIGURE 2

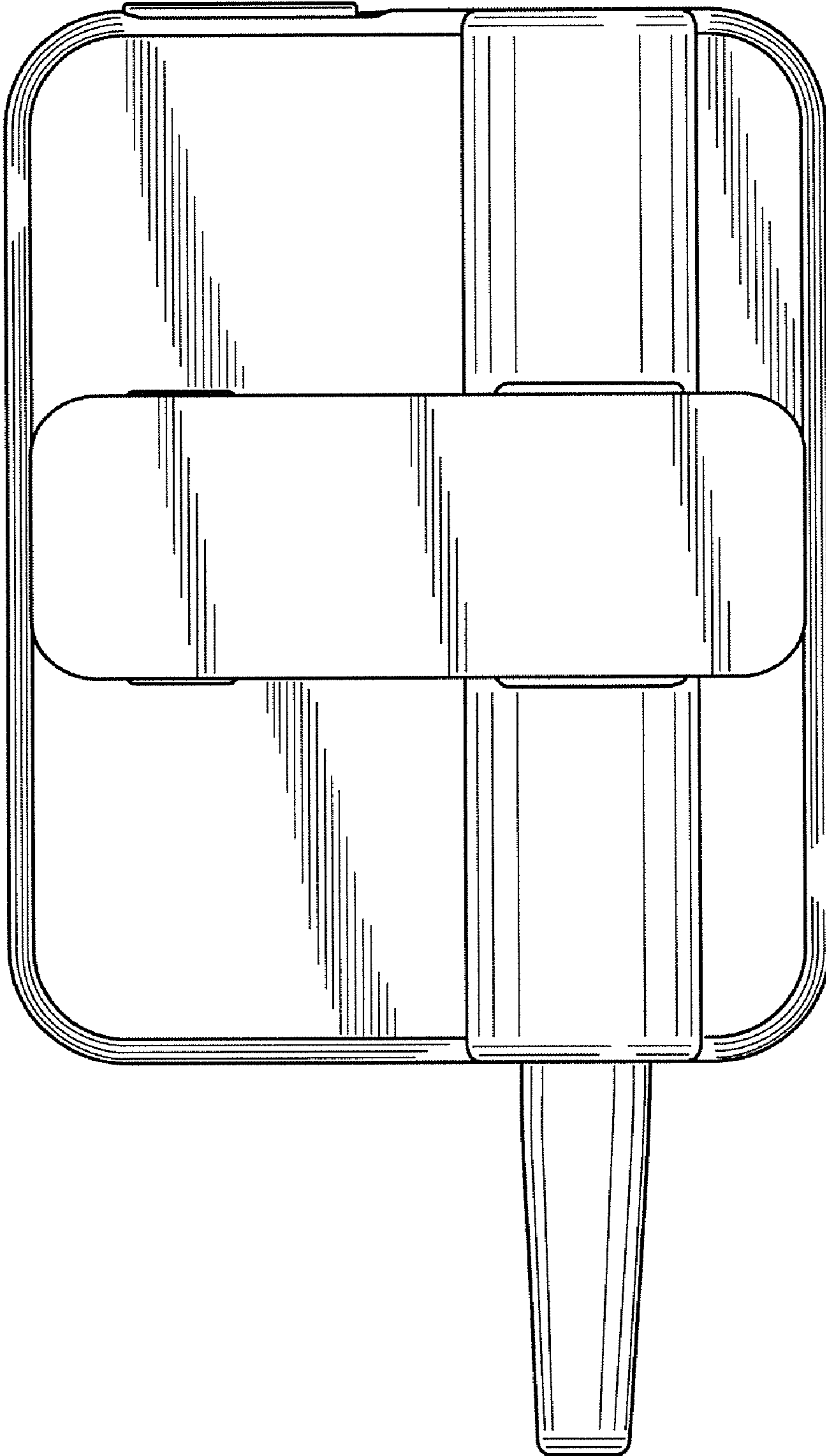


FIGURE 3

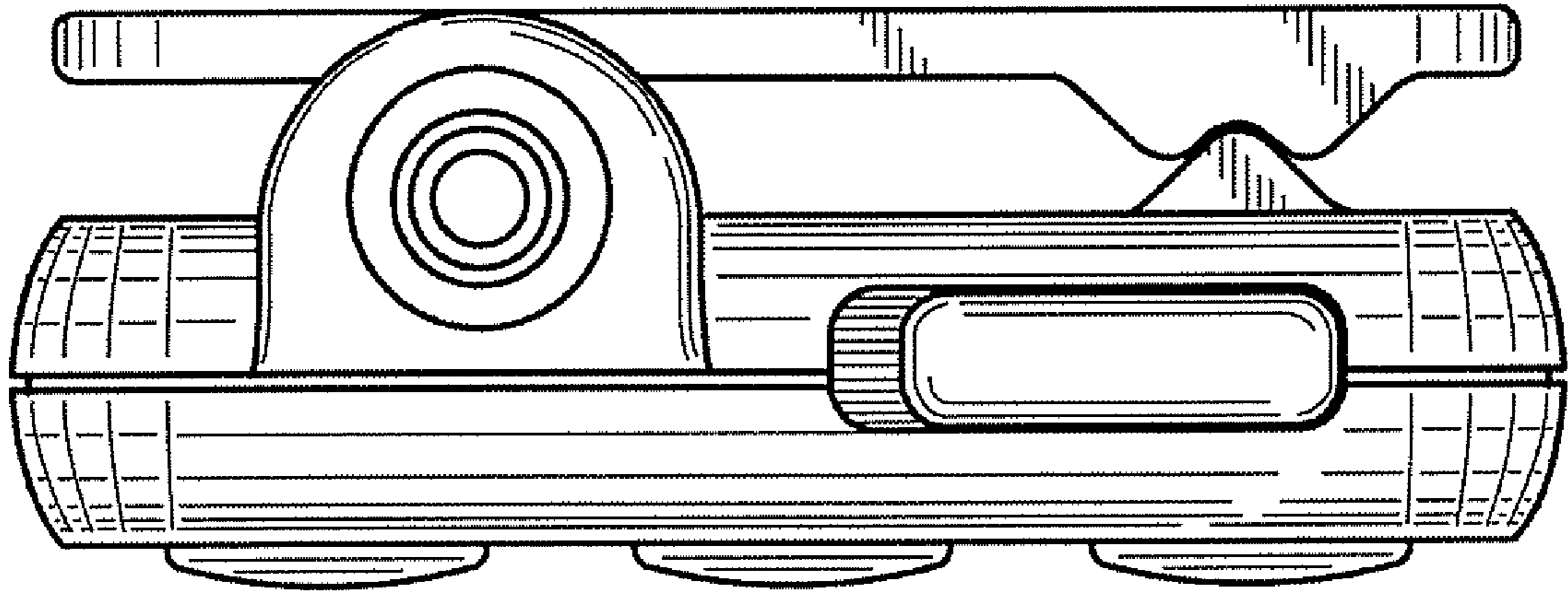


FIGURE 4

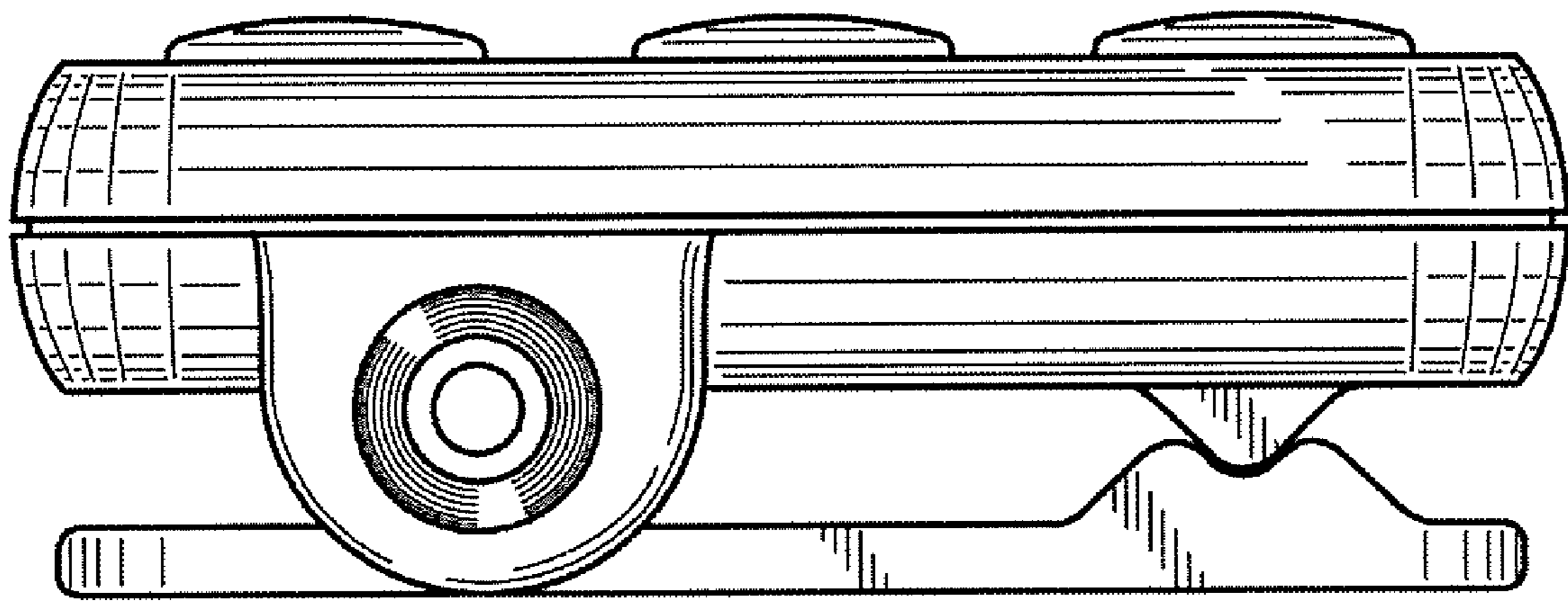


FIGURE 5

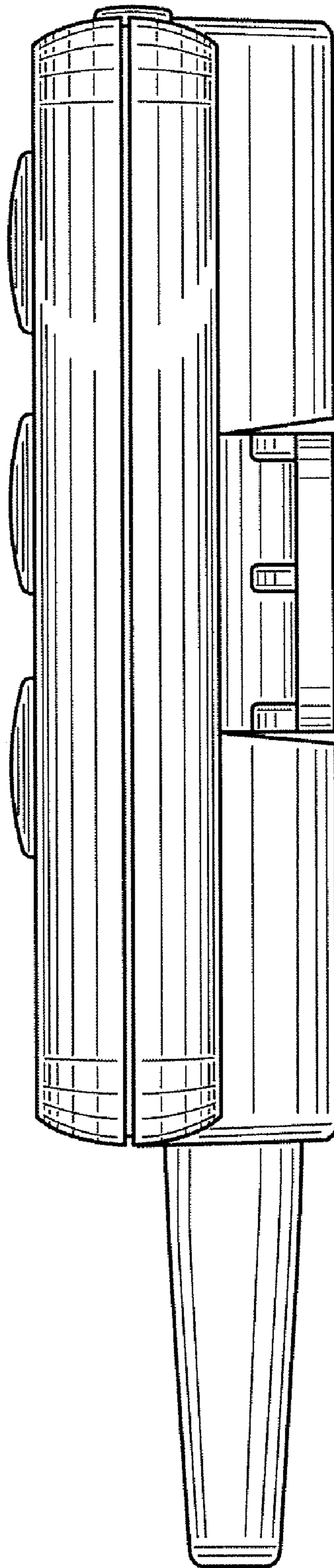


FIGURE 6

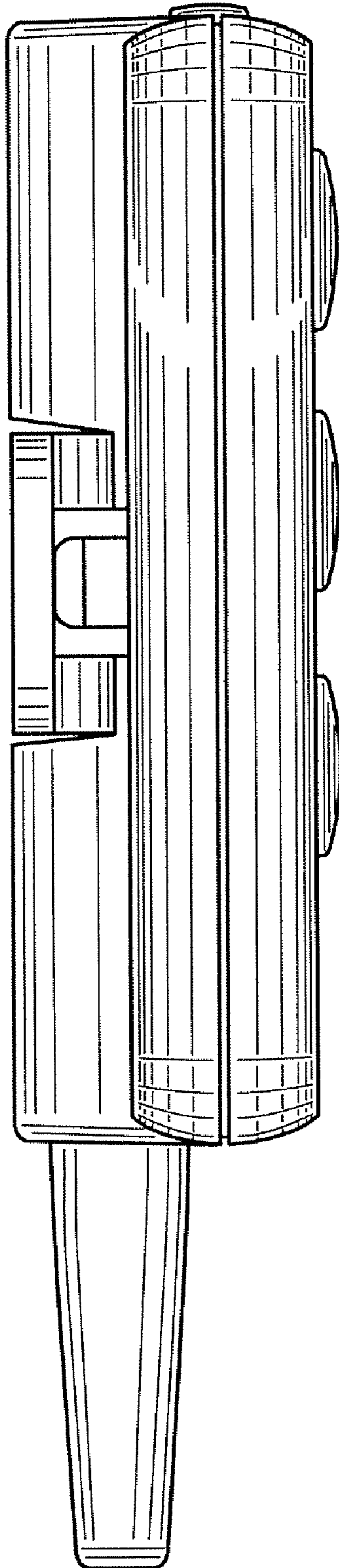


FIGURE 7

