

US00D626933S

(12) **United States Design Patent**  
**Sugioka et al.**

(10) **Patent No.:** **US D626,933 S**

(45) **Date of Patent:** **\*\* Nov. 9, 2010**

(54) **MOBILE TELEPHONE**

(75) Inventors: **Shinobu Sugioka**, Ageo (JP); **Hayato Ikezu**, Tachikawa (JP)

(73) Assignee: **NEC Casio Mobile Communications, Ltd.**, Kawasaki-Shi (JP)

(\*\*) Term: **14 Years**

(21) Appl. No.: **29/351,179**

(22) Filed: **Dec. 1, 2009**

(30) **Foreign Application Priority Data**

Nov. 19, 2009 (JP) ..... 2009-027098

(51) **LOC (9) Cl.** ..... **14-03**

(52) **U.S. Cl.** ..... **D14/138 AB**

(58) **Field of Classification Search** ..... D14/138 AB,  
D14/496, 341, 345, 346, 203.3, 203.4, 203.7;  
455/575.3; D21/517; 379/433.13

See application file for complete search history.

(56) **References Cited**

**U.S. PATENT DOCUMENTS**

- D511,509 S \* 11/2005 Kim et al. .... D14/138 AB
- D524,785 S \* 7/2006 Huang ..... D14/138 AB
- D554,093 S \* 10/2007 Arnholt et al. .... D14/138 AB
- D563,923 S \* 3/2008 Leng et al. .... D14/137
- D563,928 S \* 3/2008 Sugioka ..... D14/138 AB
- D565,007 S \* 3/2008 Nara ..... D14/138 AB
- D566,078 S \* 4/2008 Nara ..... D14/138 AB
- D566,670 S \* 4/2008 Huang ..... D14/138 AB
- D566,675 S \* 4/2008 Lee ..... D14/138 AB
- D569,822 S \* 5/2008 Laine ..... D14/138 AB
- D572,223 S \* 7/2008 Lim ..... D14/138 AB
- D576,594 S \* 9/2008 Lee et al. .... D14/138 AB
- D576,995 S \* 9/2008 Jinde et al. .... D14/138 AB
- D579,894 S \* 11/2008 Yabe et al. .... D14/138 AB
- D582,873 S \* 12/2008 Miyata ..... D14/138 AB
- D584,277 S \* 1/2009 Nishikawa ..... D14/138 AB
- D589,481 S \* 3/2009 Nara et al. .... D14/138 AB
- D591,705 S \* 5/2009 Kim et al. .... D14/138 AB
- D603,825 S \* 11/2009 Jeoung et al. .... D14/138 AB

- D609,684 S \* 2/2010 Nara et al. .... D14/138 AB
- D612,354 S \* 3/2010 Salazar et al. .... D14/138 AB
- D612,828 S \* 3/2010 Salazar et al. .... D14/138 AB
- 2006/0177048 A1 \* 8/2006 Tsutaichi et al. .... 379/433.13

**OTHER PUBLICATIONS**

Panasonic SA6 telephone, announced 1st quarter 2005, [online], [site visited Jun. 18, 2010]. Available from Internet, <URL: <http://www.gsmarena.com>>.\*

(Continued)

*Primary Examiner*—Jeffrey D Asch

(74) *Attorney, Agent, or Firm*—Holtz, Holtz, Goodman & Chick, PC

(57) **CLAIM**

The ornamental design for a mobile telephone, as shown and described.

**DESCRIPTION**

FIG. 1 is a front, right side and bottom perspective view of a mobile telephone showing our new design;

FIG. 2 is a rear, right side and top perspective view thereof;

FIG. 3 is a front view thereof;

FIG. 4 is a rear view thereof;

FIG. 5 is a left side view thereof;

FIG. 6 is a right side view thereof;

FIG. 7 is a top plan view thereof;

FIG. 8 is a bottom plan view thereof;

FIG. 9 is a front, right side and bottom perspective view thereof in an open position and drawn to a smaller scale;

FIG. 10 is a rear, right side and top perspective view thereof;

FIG. 11 is a front view thereof;

FIG. 12 is a rear view thereof;

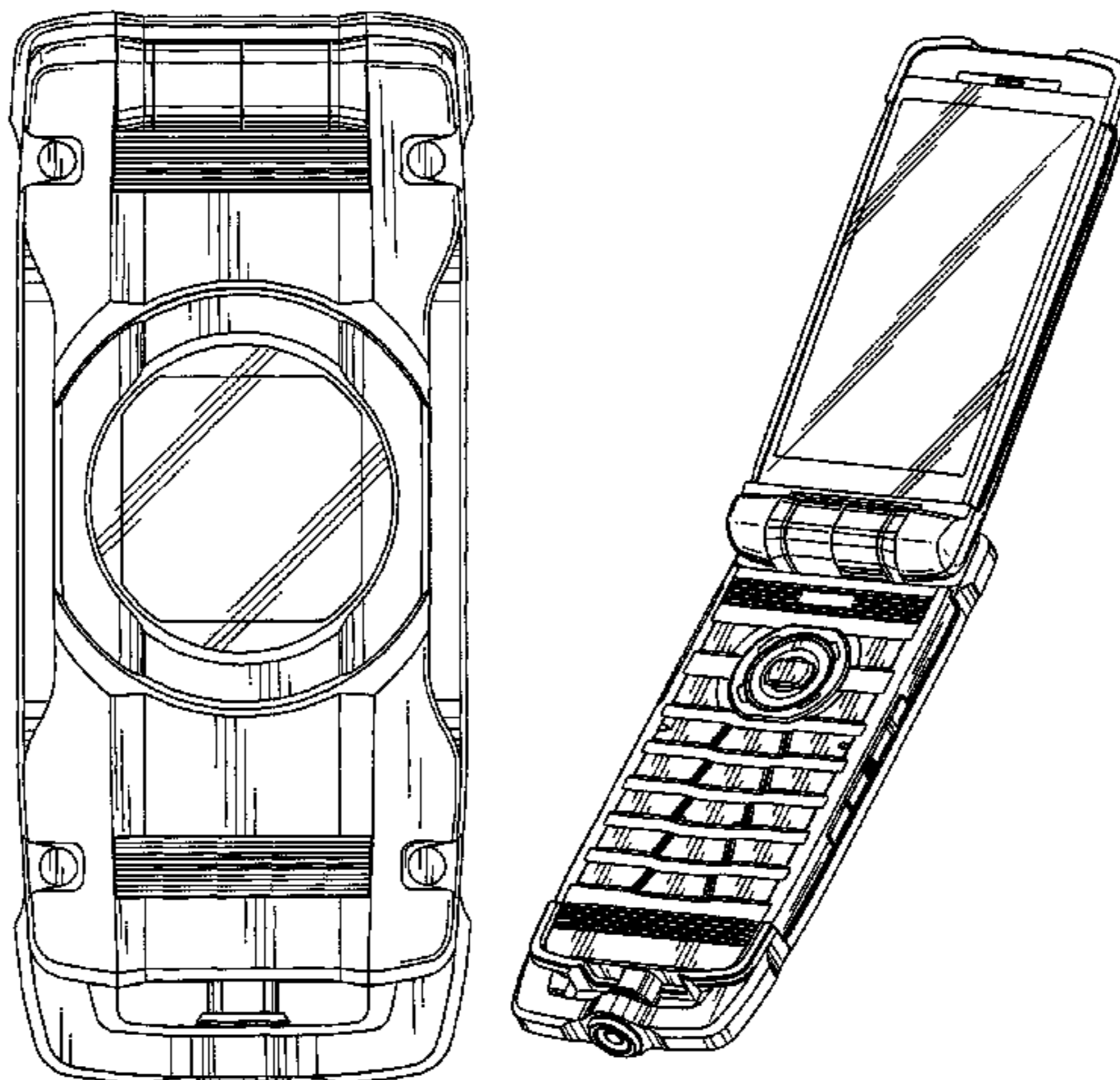
FIG. 13 is a left side view thereof;

FIG. 14 is a right side view thereof;

FIG. 15 is a top plan view thereof; and,

FIG. 16 is a bottom plan view thereof.

**1 Claim, 16 Drawing Sheets**

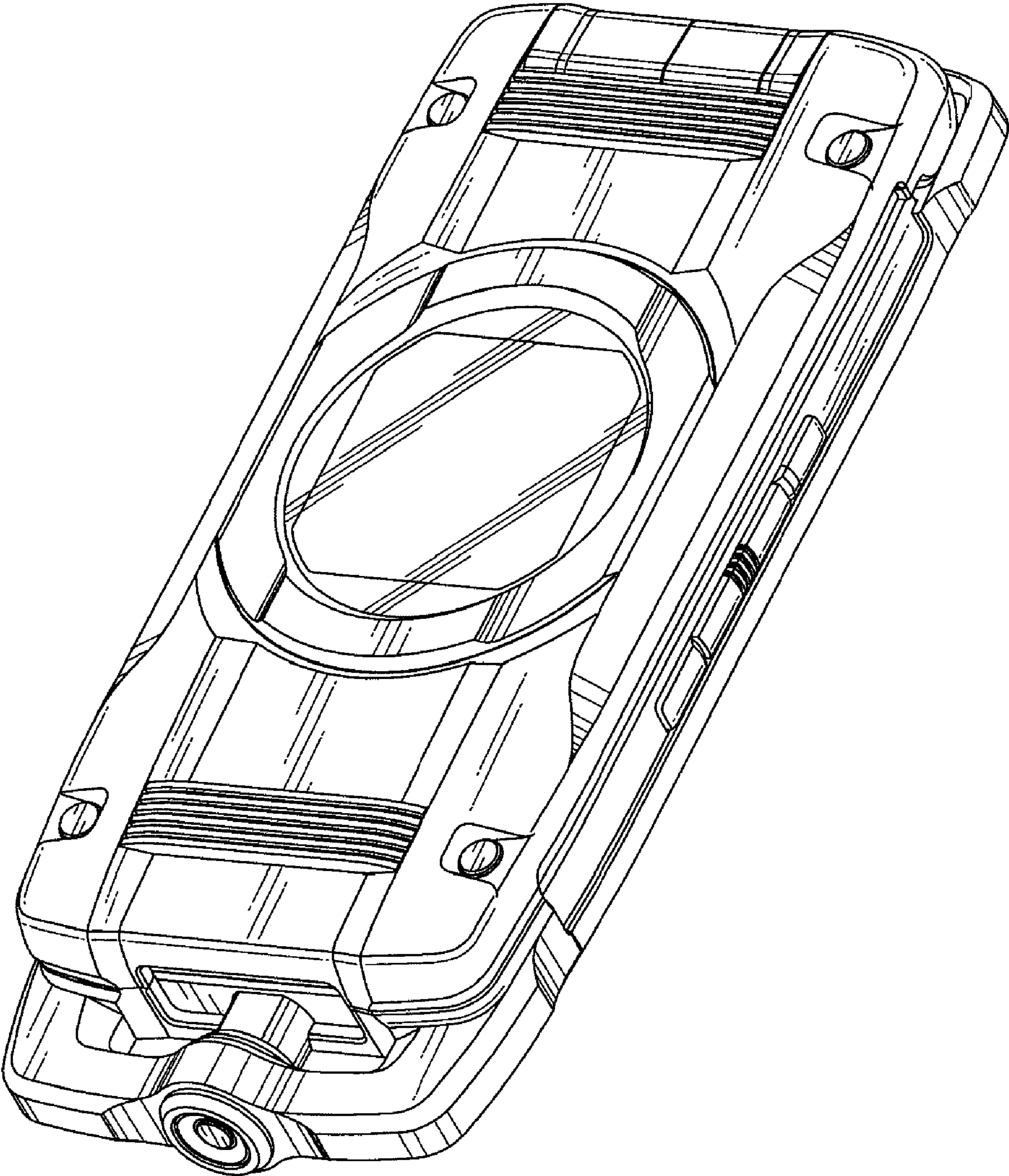


OTHER PUBLICATIONS

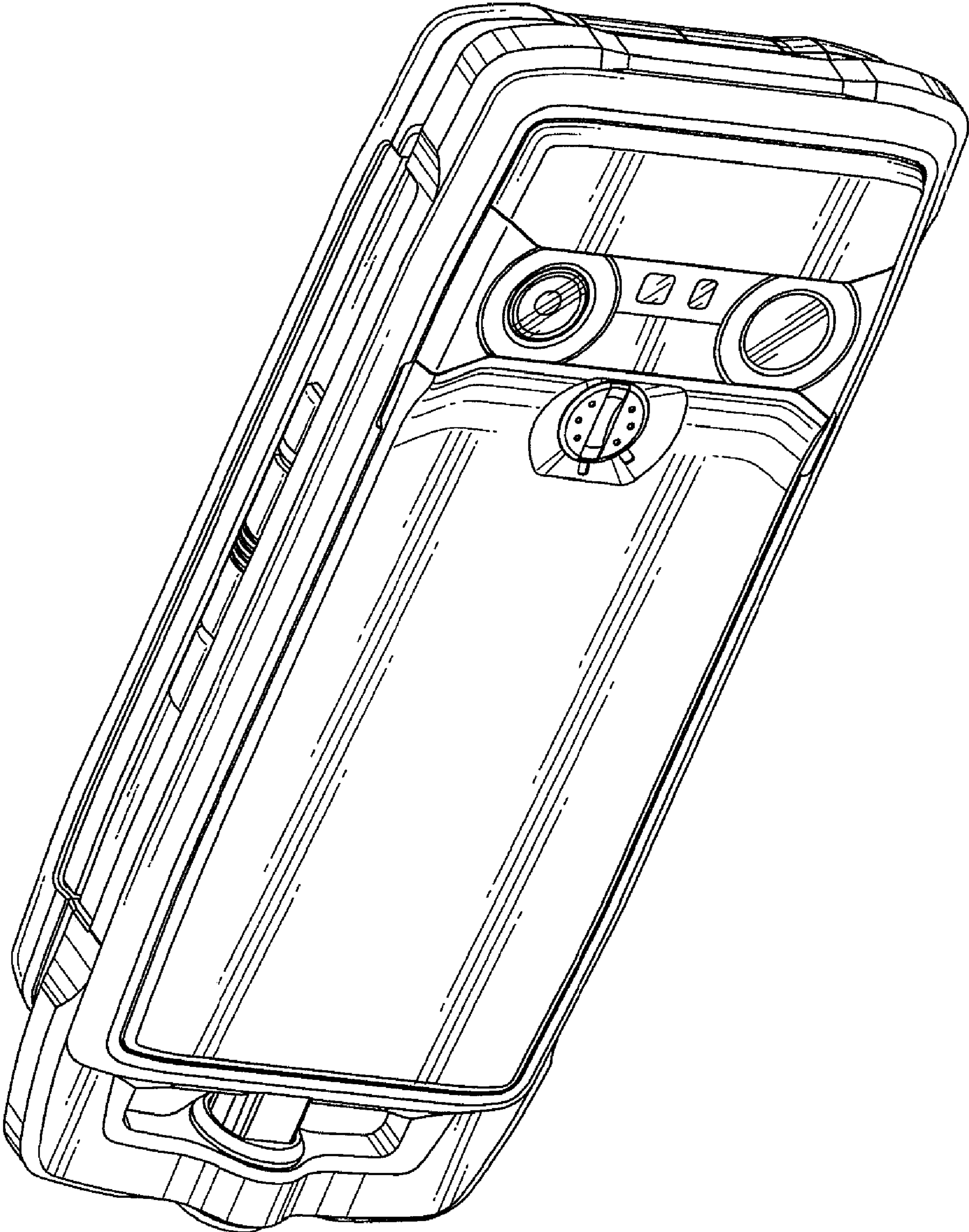
VK Mobile VK300 telephone, announced Jul. 2005, [online], [site visited Jun. 18, 2010]. Available from Internet ,<URL: <http://www.gsmarena.com>>.\*

LG G7000 telephone, announced 4<sup>th</sup> quarter 2002, [online], [site visited Jun. 18, 2010]. Available from Internet ,<URL: <http://www.gsmarena.com>>.\*

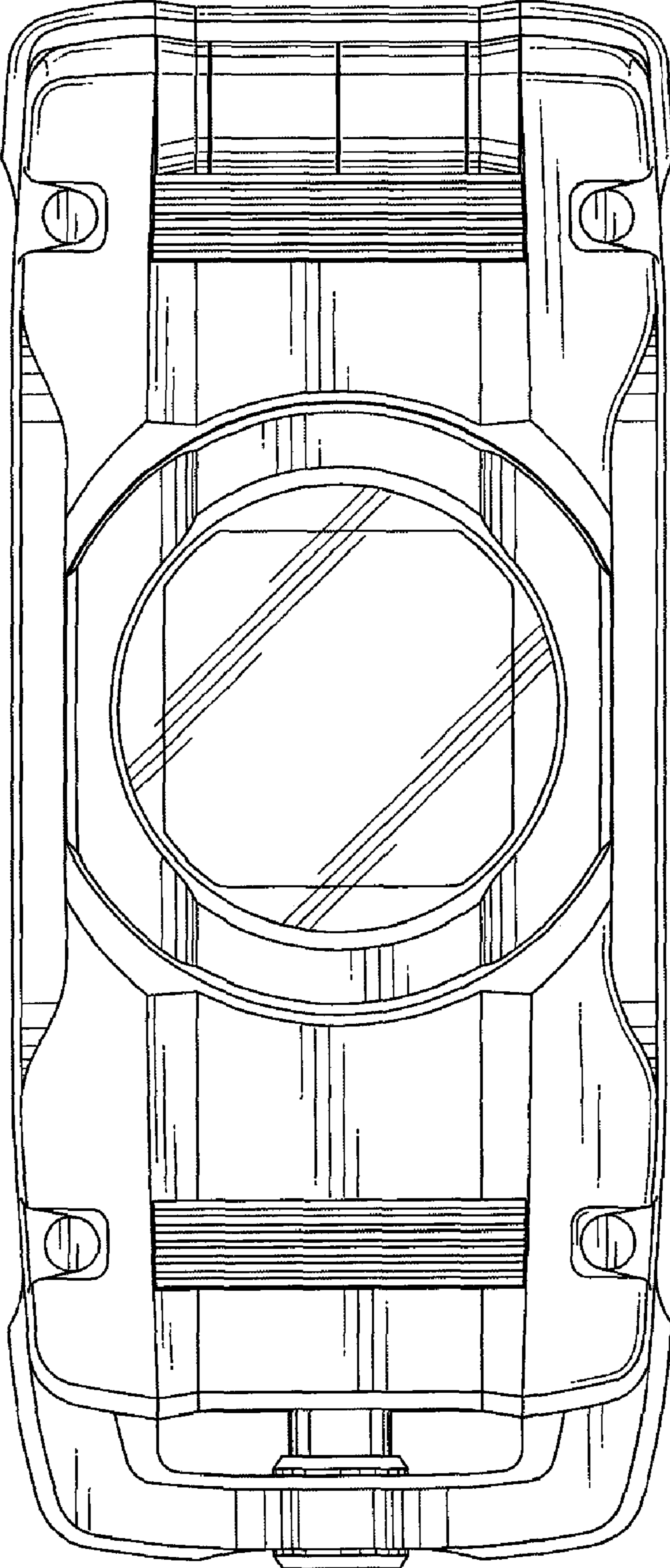
\* cited by examiner



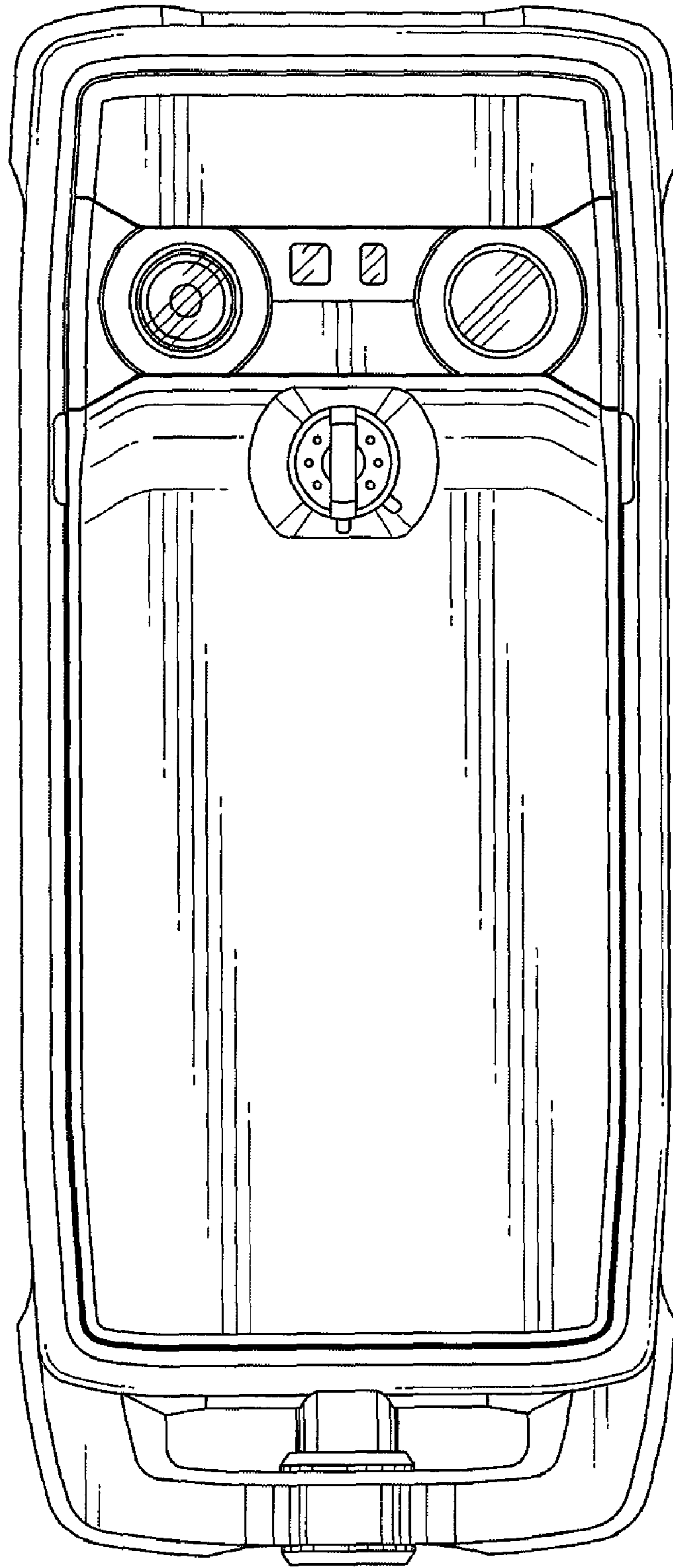
**FIG.1**



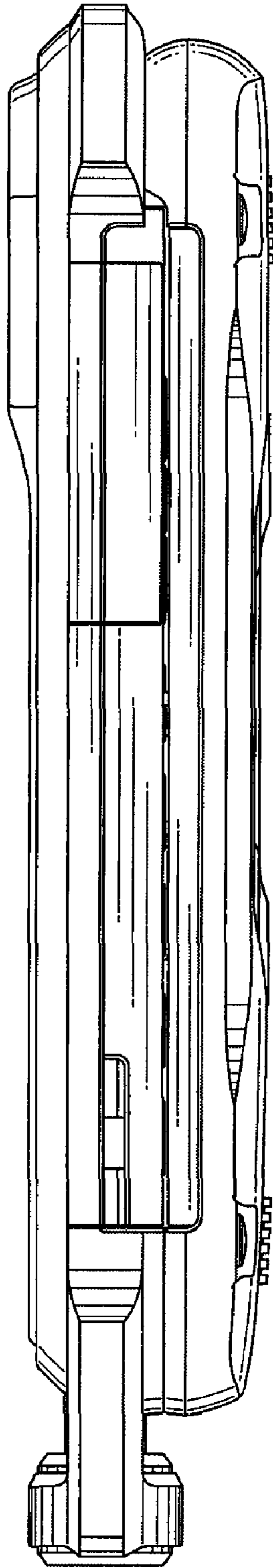
**FIG. 2**



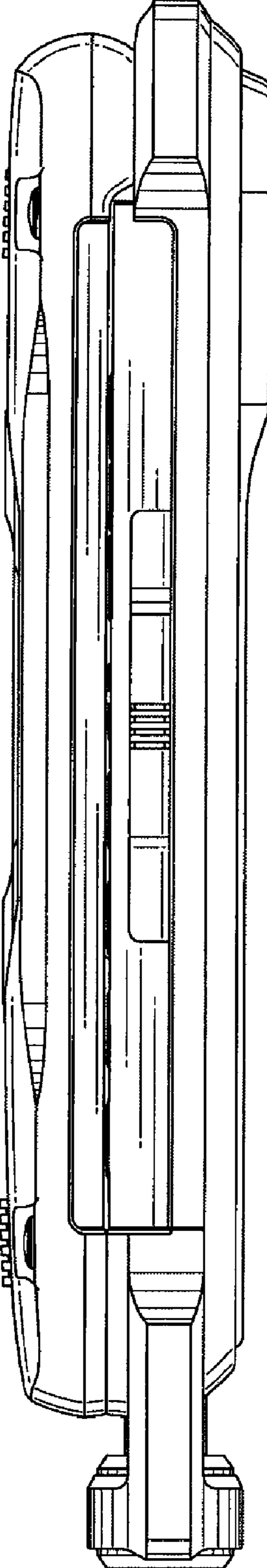
**FIG. 3**



**FIG. 4**

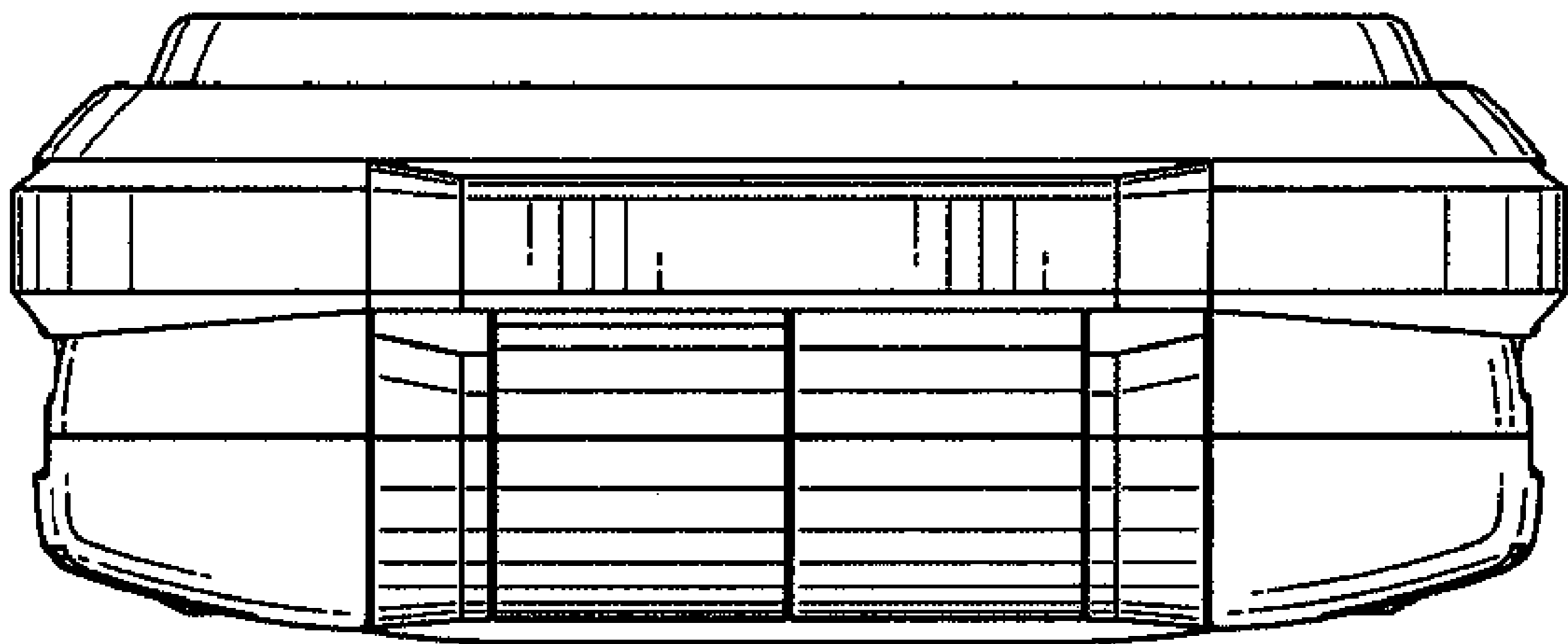


**FIG. 5**

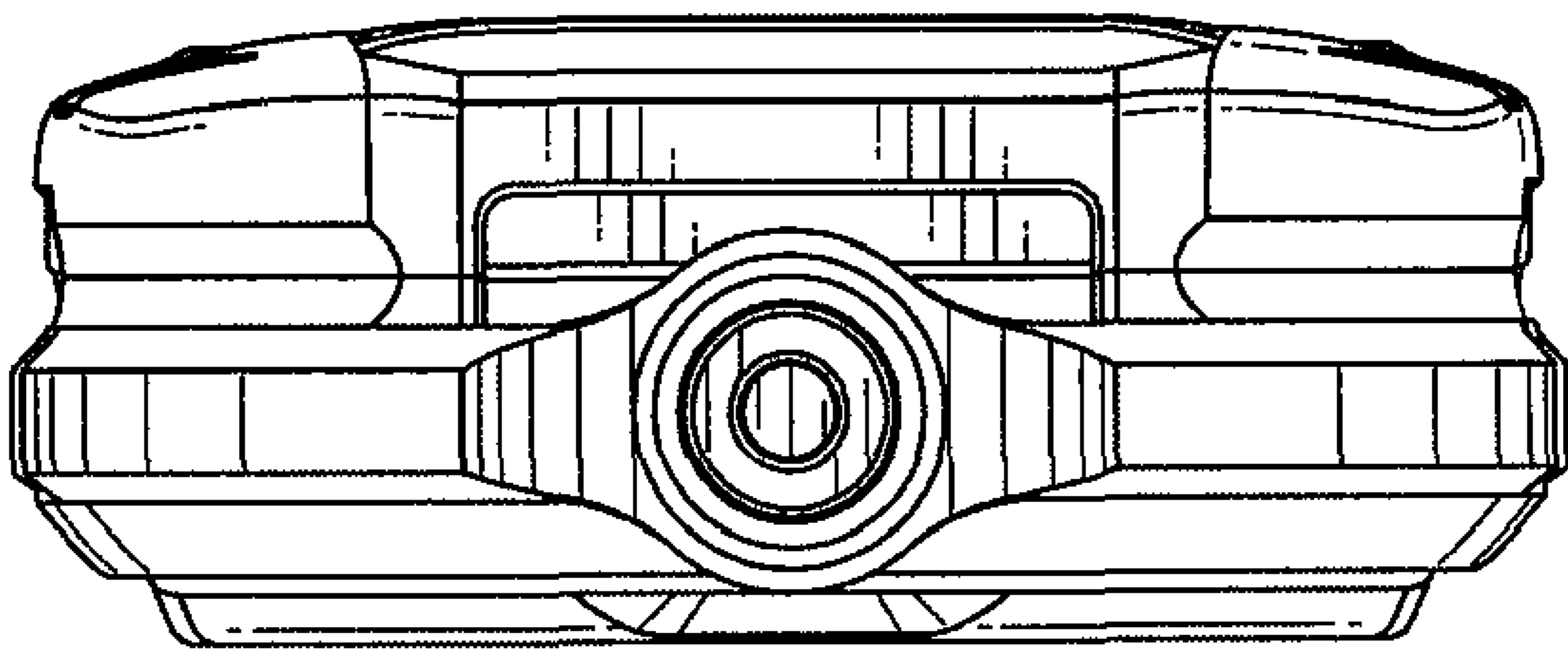


**FIG. 6**

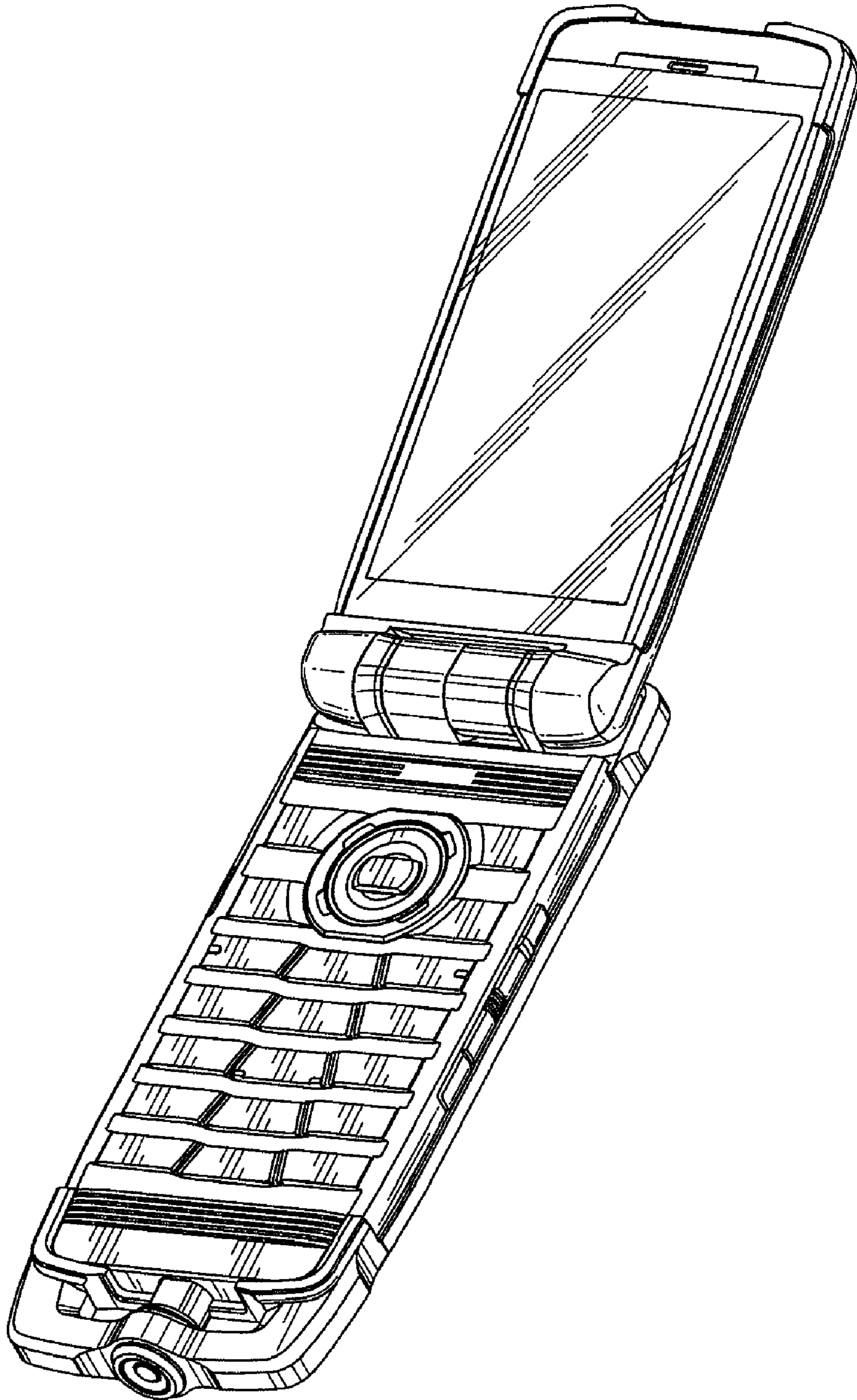




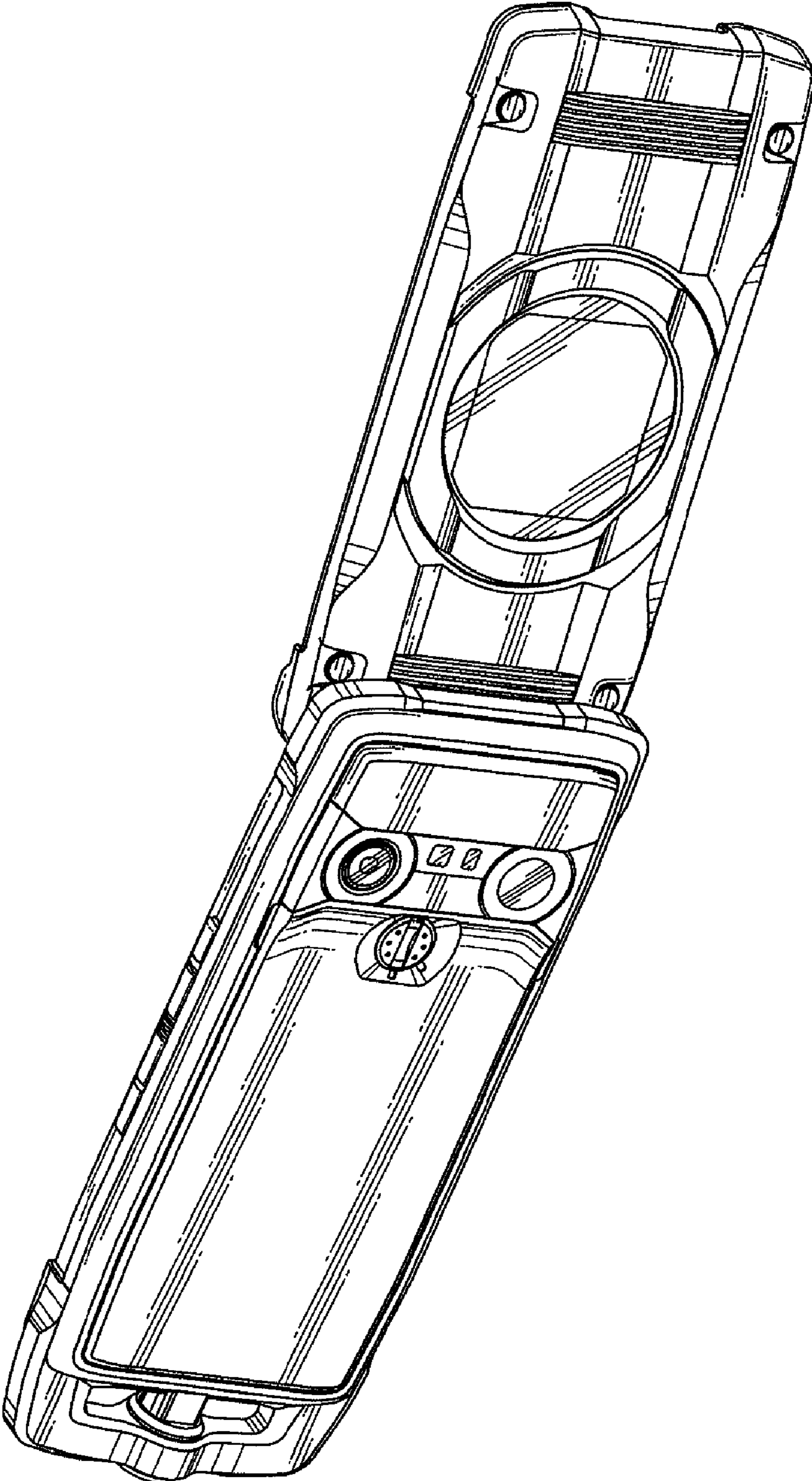
***FIG. 7***



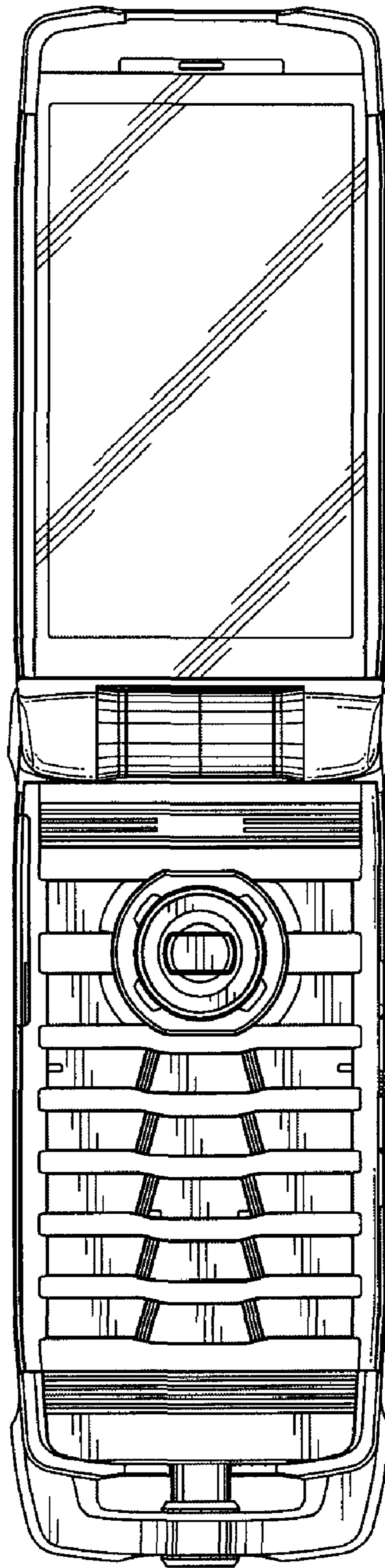
***FIG. 8***



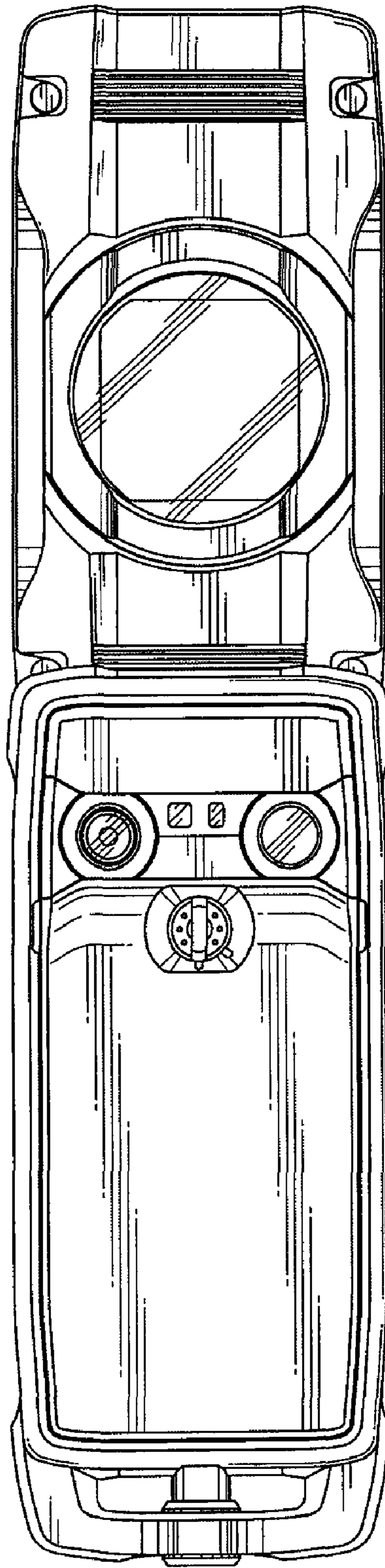
**FIG. 9**



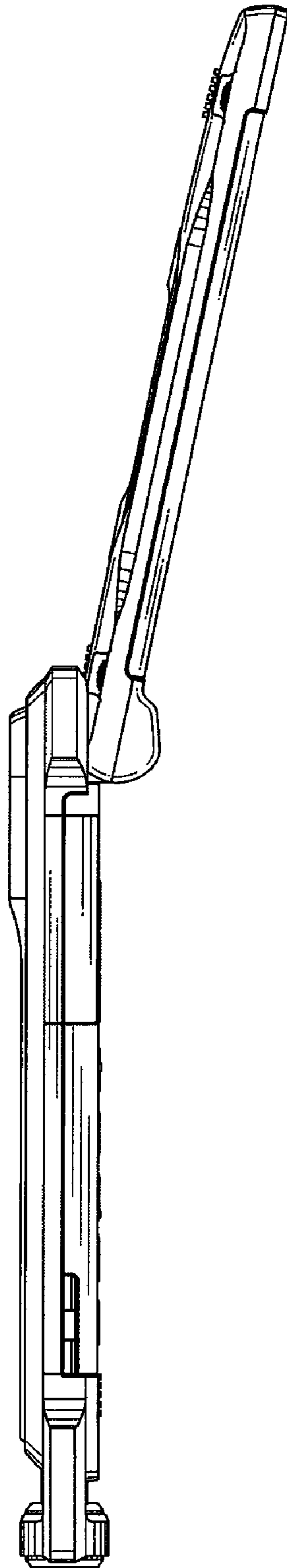
**FIG. 10**



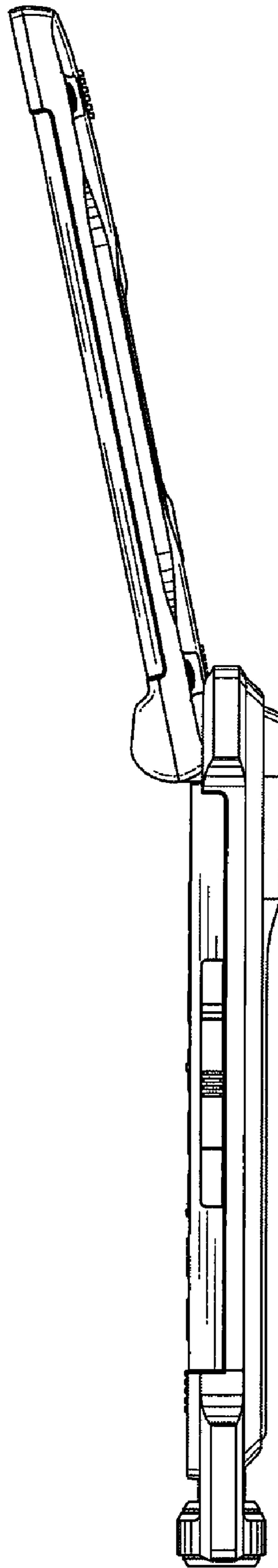
***FIG. 11***



**FIG. 12**

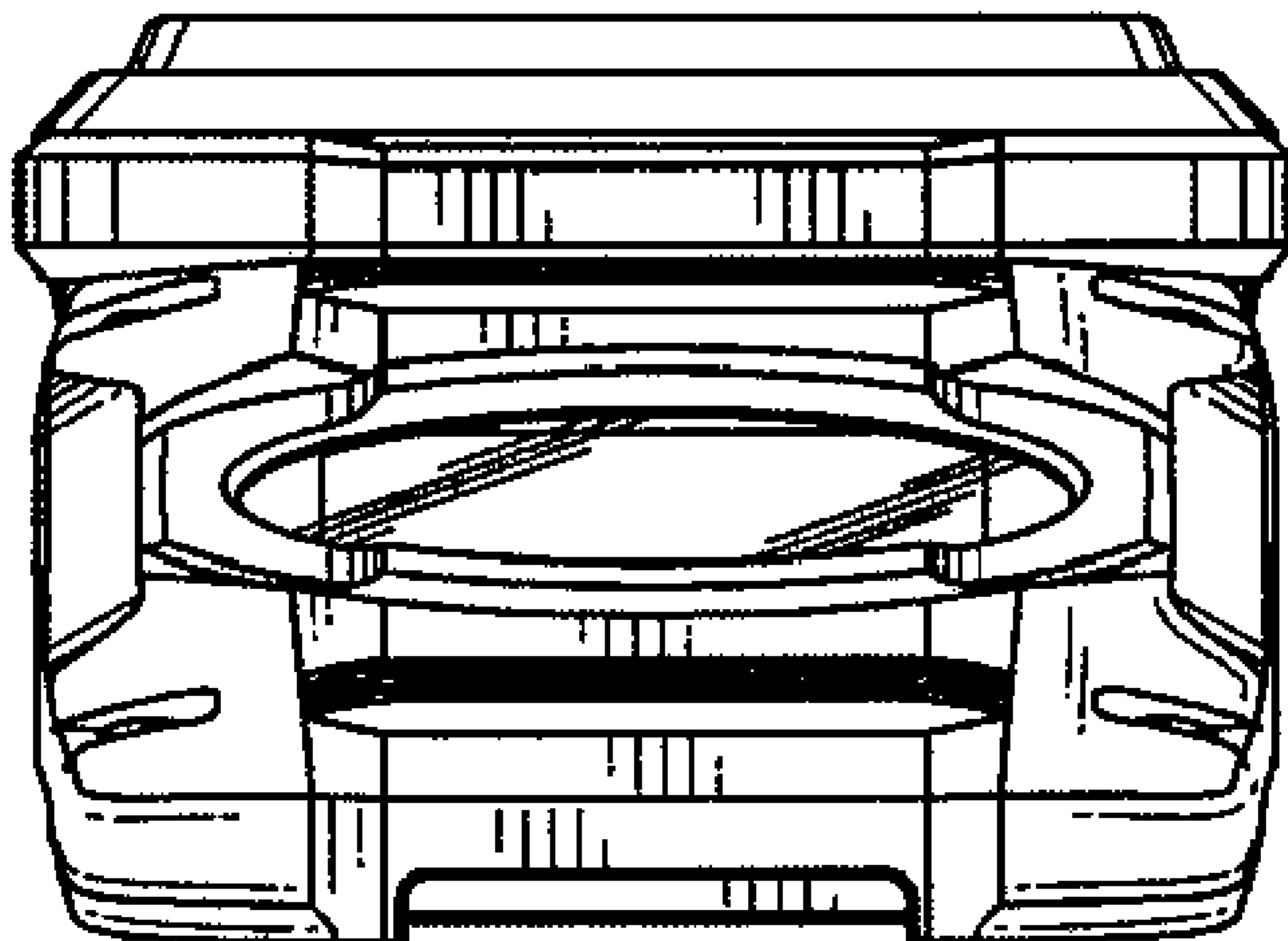


***FIG. 13***

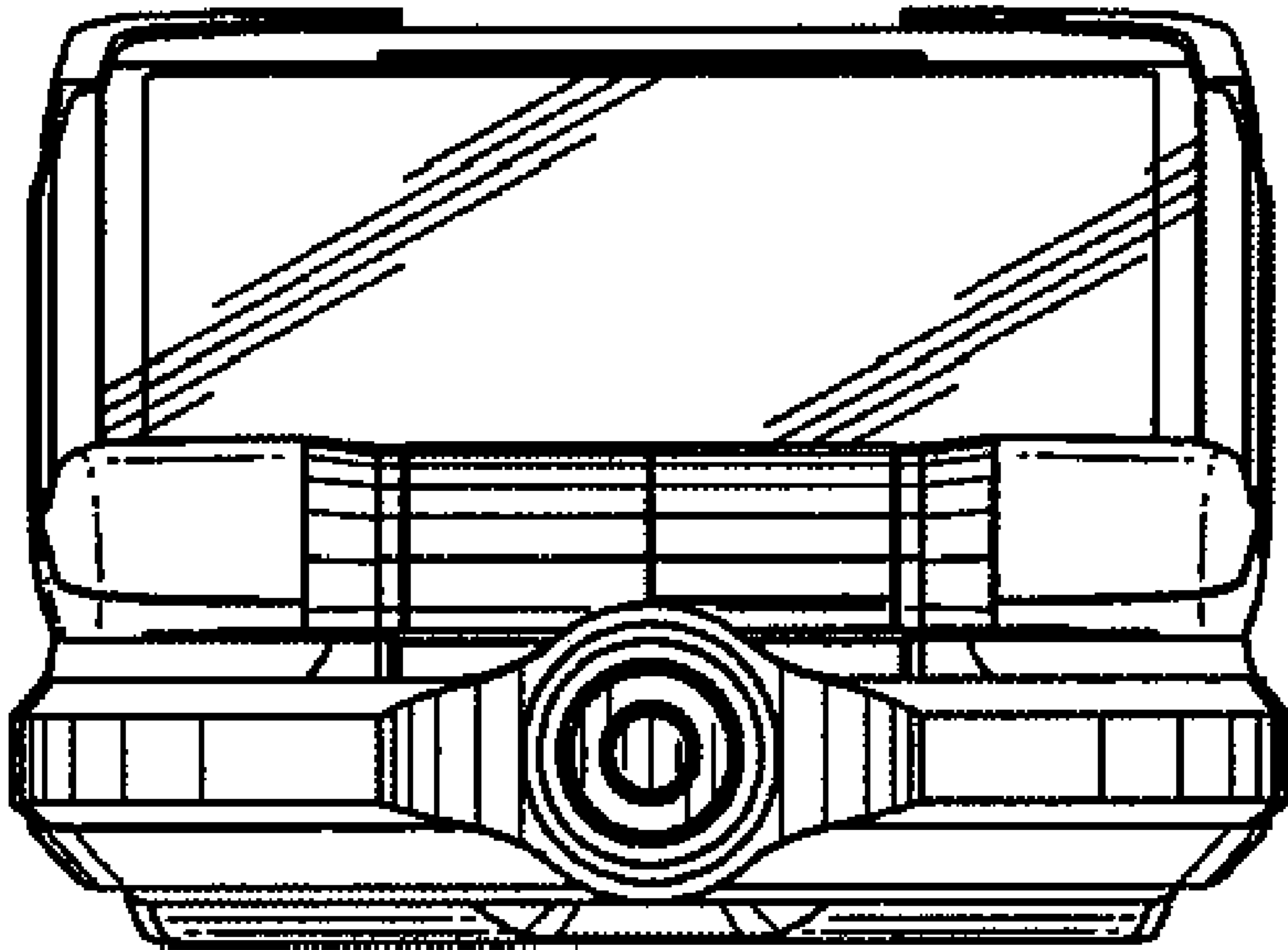


***FIG. 14***





***FIG. 15***



***FIG. 16***