



US00D626931S

(12) **United States Design Patent**
Kim et al.

(10) **Patent No.:** **US D626,931 S**
(45) **Date of Patent:** **** Nov. 9, 2010**

(54) **MOBILE PHONE**

(75) Inventors: **Bo-Ra Kim**, Seoul (KR); **Sang-Min Hyun**, Seoul (KR); **Nam-Mi Kim**, Seoul (KR)

(73) Assignee: **Samsung Electronics Co., Ltd.** (KR)

(**) Term: **14 Years**

(21) Appl. No.: **29/350,906**

(22) Filed: **Nov. 25, 2009**

(30) **Foreign Application Priority Data**

Sep. 30, 2009 (KR) 30-2009-0043183

(51) **LOC (9) Cl.** **14-03**

(52) **U.S. Cl.** **D14/138 AB**

(58) **Field of Classification Search** D14/138 AB,
D14/496, 341, 345, 346, 203.3, 203.4, 203.7;
455/575.3; D21/517; 379/433.13
See application file for complete search history.

(56) **References Cited**

U.S. PATENT DOCUMENTS

- 6,975,273 B1 * 12/2005 Choi 343/702
- D537,059 S * 2/2007 Hwang D14/138 AB
- D569,837 S * 5/2008 Baik et al. D14/138 G
- D571,345 S * 6/2008 Kim et al. D14/138 AB
- D571,773 S * 6/2008 Kim et al. D14/138 AB
- D573,127 S * 7/2008 Choi et al. D14/138 AB
- D578,501 S * 10/2008 Seo et al. D14/138 AB
- D578,988 S * 10/2008 Chung et al. D14/138 AB
- D583,784 S * 12/2008 Cha et al. D14/138 AB
- D583,791 S * 12/2008 Minamide et al. D14/138 AB
- D583,793 S * 12/2008 Tkachuk D14/138 AB
- D584,276 S * 1/2009 Kim et al. D14/138 AB
- D587,232 S * 2/2009 Kim et al. D14/138 AB
- D589,024 S * 3/2009 Yoo D14/138 AB
- D591,712 S * 5/2009 Kim et al. D14/138 AB

- D591,717 S * 5/2009 Chambers D14/138 AB
- D614,602 S * 4/2010 Yoo D14/203.7
- 2003/0092401 A1 * 5/2003 Ikeuchi 455/90
- 2004/0235540 A1 * 11/2004 Yajima 455/575.3
- 2005/0245296 A1 * 11/2005 Hong et al. 455/575.3
- 2008/0125197 A1 * 5/2008 Hongo et al. 455/575.3

(Continued)

OTHER PUBLICATIONS

Sharp 936SH telephone, announced Sep. 2009, [online], [site visited Jun. 18, 2010]. Available from Internet ,<URL: <http://www.gsmarena.com>>.*

(Continued)

Primary Examiner—Jeffrey D Asch
(74) *Attorney, Agent, or Firm*—NSIP Law

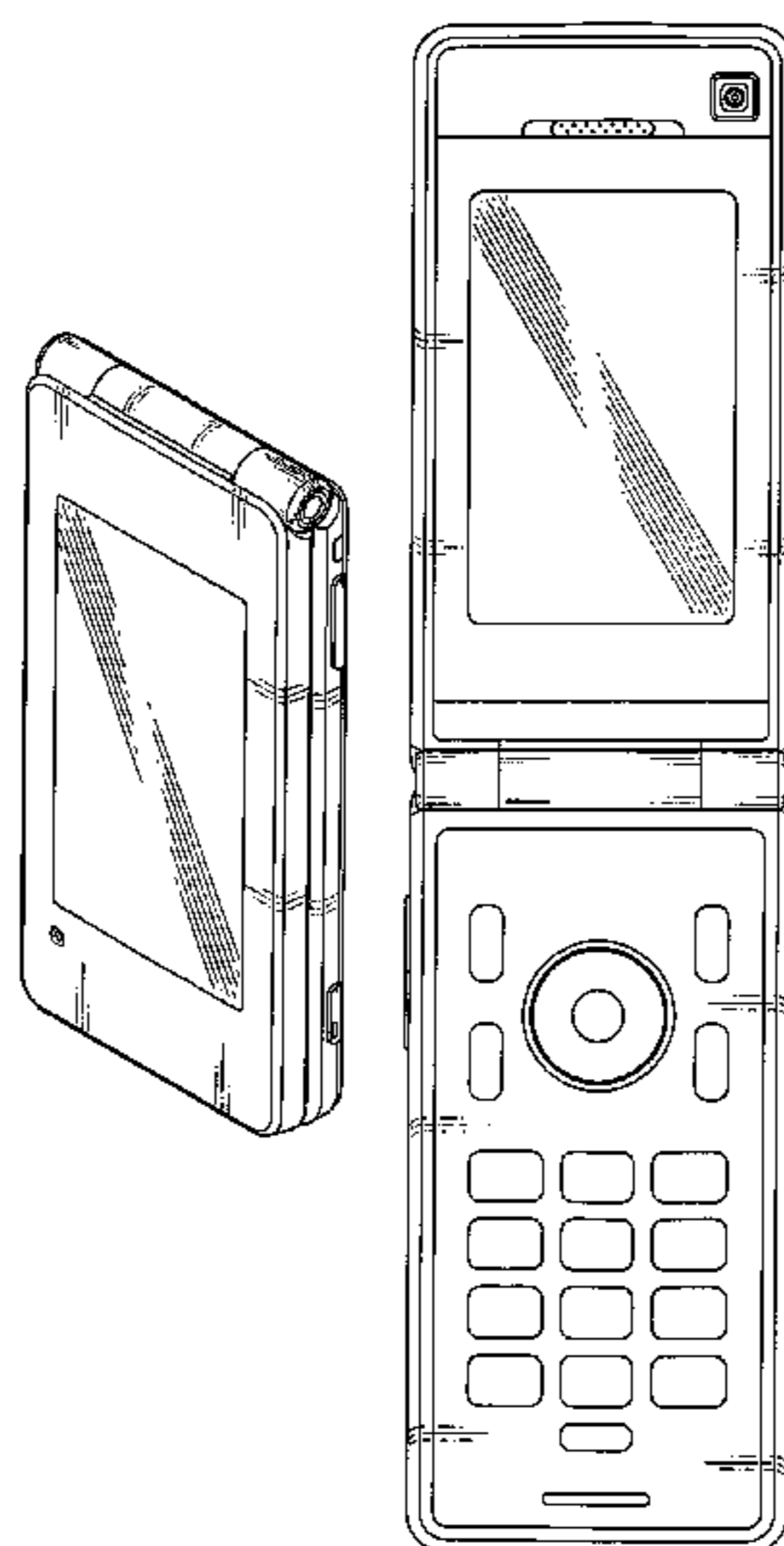
(57) **CLAIM**

The ornamental design for a mobile phone, as shown and described.

DESCRIPTION

FIG. 1 is a perspective view of a mobile phone;
FIG. 2 is a front view of the mobile phone of FIG. 1;
FIG. 3 is a rear view of the mobile phone of FIG. 1;
FIG. 4 is a left-side view of the mobile phone of FIG. 1;
FIG. 5 is a right-side view of the mobile phone of FIG. 1;
FIG. 6 is a top plan view of the mobile phone of FIG. 1;
FIG. 7 is a bottom plan view of the mobile phone of FIG. 1;
and,
FIG. 8 is a front open view of the mobile phone of FIG. 1.

1 Claim, 6 Drawing Sheets



U.S. PATENT DOCUMENTS

2008/0242379 A1* 10/2008 Fujii 455/575.3
2009/0124295 A1* 5/2009 Watanabe 455/566
2010/0075726 A1* 3/2010 Han et al. 455/575.3
2010/0137040 A1* 6/2010 Kaito 455/575.3

OTHER PUBLICATIONS

Sharp 934SH telephone, announced Aug. 2009, [online], [site visited Jun. 18, 2010]. Available from Internet ,<URL: <http://www.gsmarena.com>>.*

Samsung E870 telephone, announced 1st quarter 2006, [online], [site visited Jun. 18, 2010]. Available from Internet ,<URL: <http://www.gsmarena.com>>.*

Samsung SCH-W699 telephone, announced Apr. 2009, [online], [site visited Jun. 18, 2010]. Available from Internet ,<URL: <http://www.gsmarena.com>>.*

Philips X606 telephone, announced Apr. 2010, [online], [site visited Jun. 18, 2010]. Available from Internet ,<URL: <http://www.gsmarena.com>>.*

Toshiba TS10 telephone, announced 3rd quarter 2005, [online], [site visited Jun. 18, 2010]. Available from Internet ,<URL: <http://www.gsmarena.com>>.*

* cited by examiner

FIG. 1

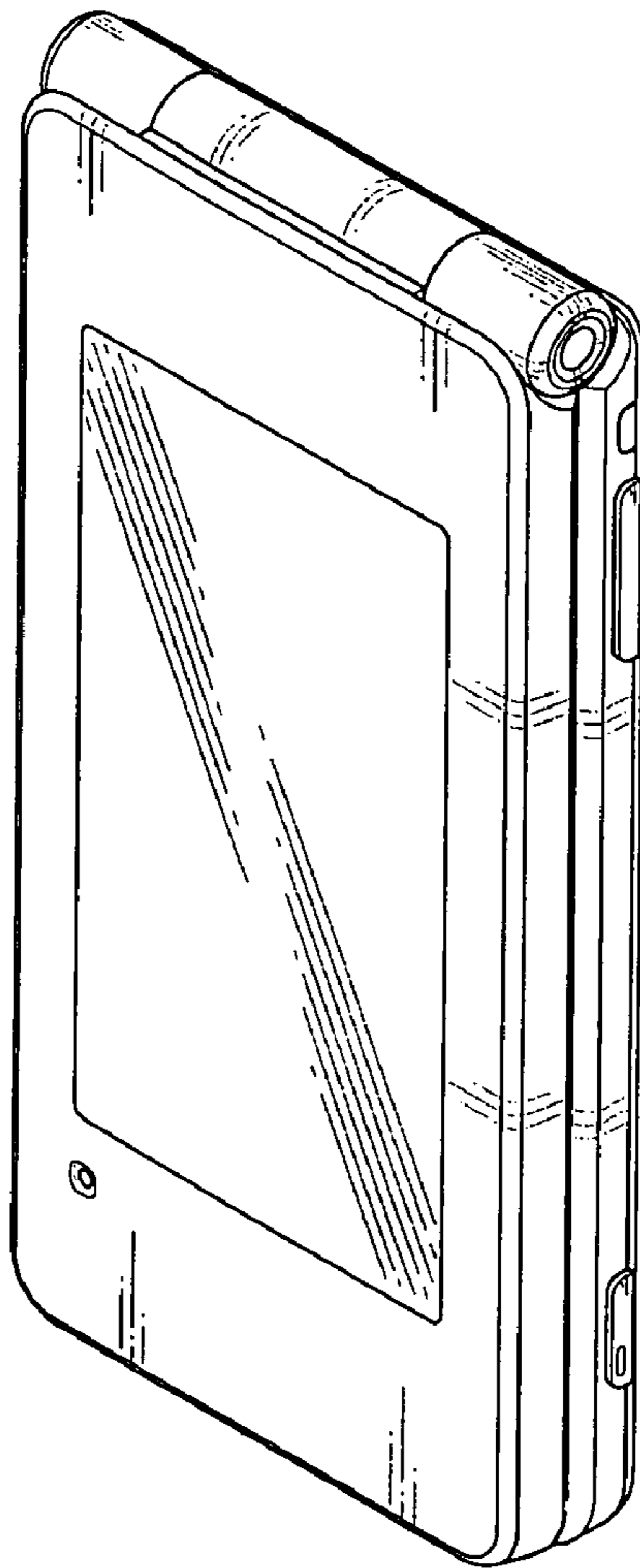


FIG. 2

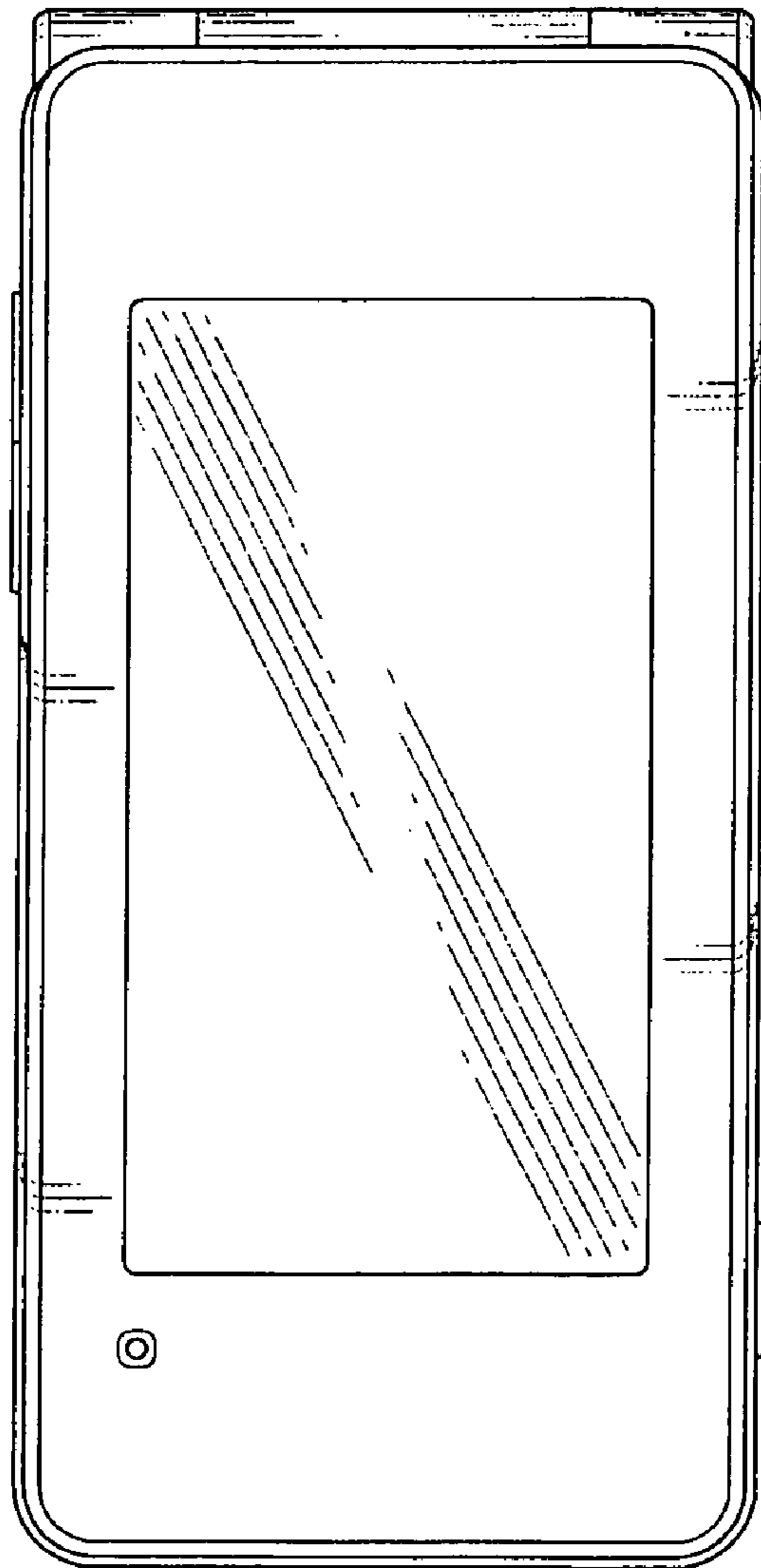


FIG. 3

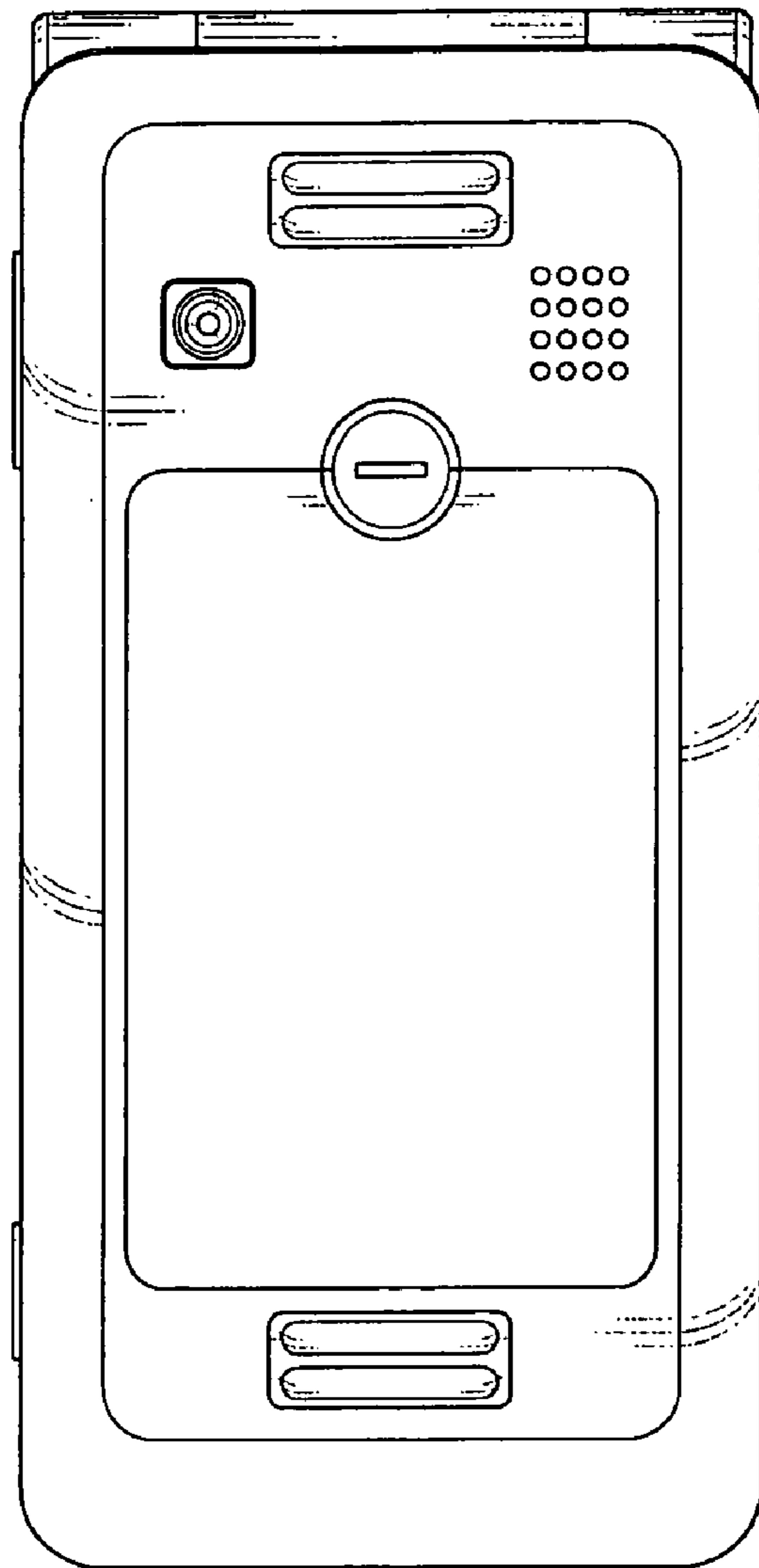


FIG. 4



FIG. 5

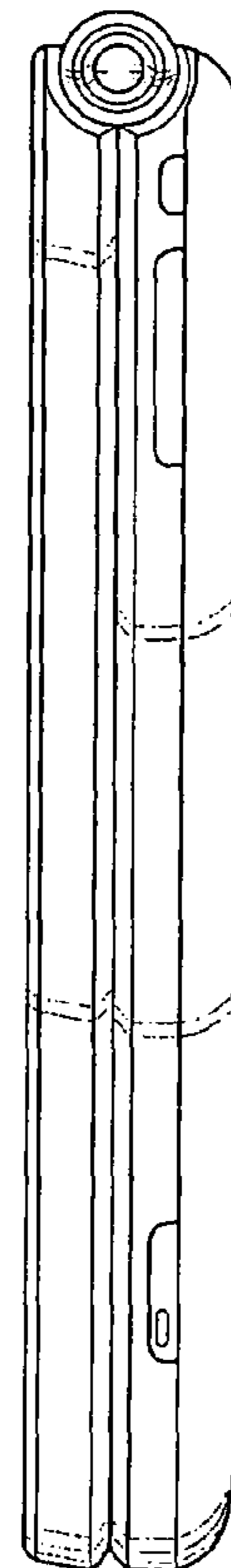


FIG. 6

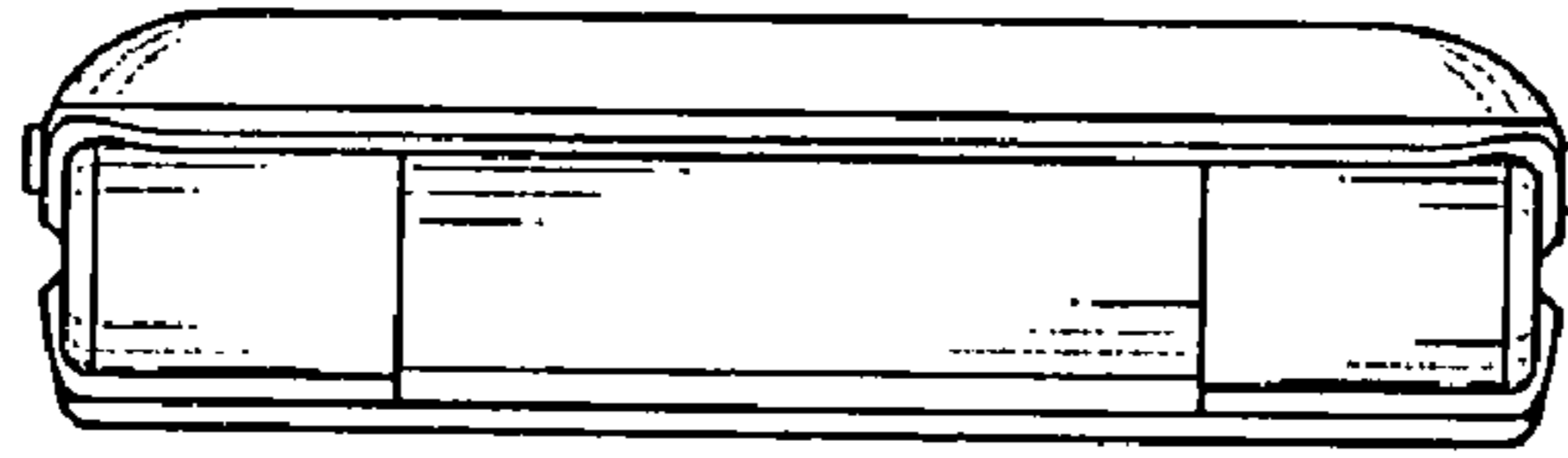


FIG. 7

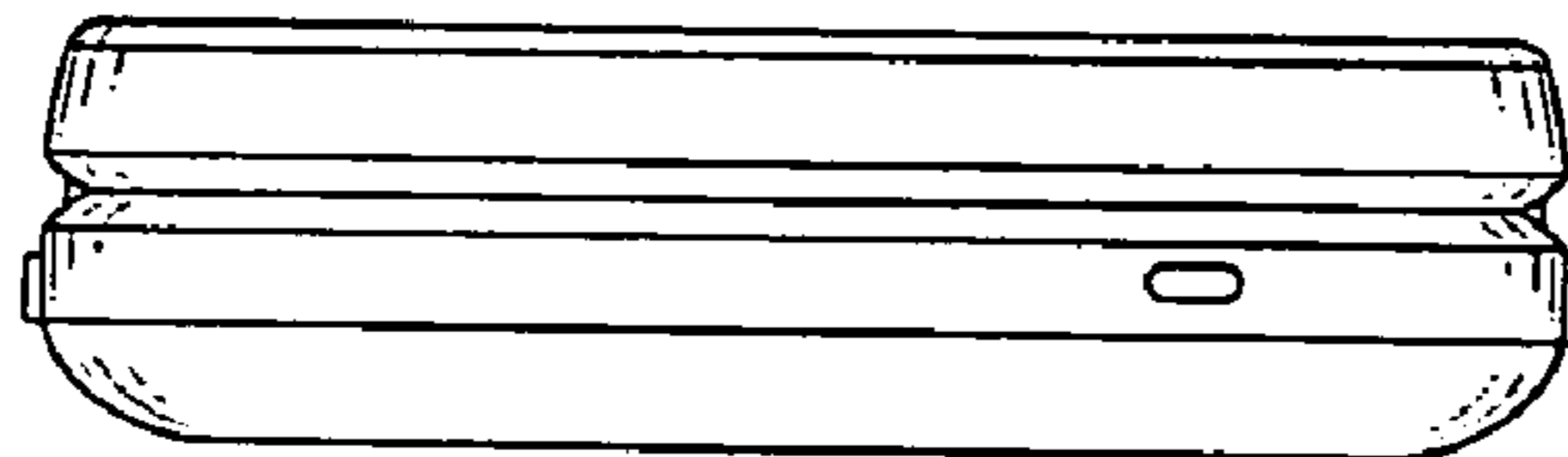


FIG. 8

