



US00D626929S

(12) **United States Design Patent**  
**Ge**

(10) **Patent No.:** **US D626,929 S**  
(45) **Date of Patent:** **\*\* Nov. 9, 2010**

(54) **MOBILE PHONE**

(75) Inventor: **Xiaofei Ge**, Shenzhen (CN)

(73) Assignee: **Huawei Device Co., Ltd.**, Shenzhen (CN)

(\*\*) Term: **14 Years**

(21) Appl. No.: **29/345,819**

(22) Filed: **Oct. 22, 2009**

(30) **Foreign Application Priority Data**

Apr. 23, 2009 (CN) ..... 2009 3 0165280

(51) **LOC (9) Cl.** ..... **14-03**

(52) **U.S. Cl.** ..... **D14/138 AB; D14/138 AA**

(58) **Field of Classification Search** ..... D14/341-347,  
D14/147, 496, 203.3, 203.4, 203.7, 138 AA,  
D14/138 R, 138 AD, 138 AB; 455/575.1,  
455/575.4, 556.2, 575.3; 379/433.01, 433.04  
See application file for complete search history.

(56) **References Cited**

**U.S. PATENT DOCUMENTS**

D534,514 S *	1/2007	Hering	.....	D14/138 AA
D543,186 S *	5/2007	Kim et al.	.....	D14/138 AA
D552,584 S *	10/2007	Lee	.....	D14/138 AA
D555,621 S *	11/2007	Seo	.....	D14/138 AA
D565,017 S *	3/2008	Kim et al.	.....	D14/138 AA
D574,347 S *	8/2008	Lee et al.	.....	D14/138 AA
D576,993 S *	9/2008	Park et al.	.....	D14/138 AA
D577,351 S *	9/2008	Kim et al.	.....	D14/138 AA
D583,343 S *	12/2008	Lee et al.	.....	D14/138 AA
D591,254 S *	4/2009	Lim et al.	.....	D14/138 AA
D591,255 S *	4/2009	Lee et al.	.....	D14/138 AA
D593,052 S *	5/2009	Hung	.....	D14/138 AA
7,565,183 B2 *	7/2009	Vance et al.	.....	455/575.1
D599,764 S *	9/2009	Park	.....	D14/138 AA
D600,691 S *	9/2009	Peng et al.	.....	D14/345
D601,530 S *	10/2009	Park et al.	.....	D14/138 AA

D601,531 S *	10/2009	Lee et al.	.....	D14/138 AA
D606,039 S *	12/2009	Henning	.....	D14/138 AA
D607,427 S *	1/2010	Ho et al.	.....	D14/138 AD
D608,321 S *	1/2010	Husgafvel	.....	D14/138 AA
D609,664 S *	2/2010	Lee et al.	.....	D14/138 AA
D610,122 S *	2/2010	Kim et al.	.....	D14/138 AA
D611,017 S *	3/2010	Loh et al.	.....	D14/138 AA

**OTHER PUBLICATIONS**

Samsung T559 Comeback telephone, announced Jul. 2009, [online], [site visited Mar. 26, 2010]. Available from Internet, <URL: http://www.gsmarena.com>.\*

Samsung T401G telephone, announced Oct. 2009, [online], [site visited Mar. 26, 2010]. Available from Internet, <URL: http://www.gsmarena.com>.\*

Nokia E90 telephone, announced Feb. 2007, [online], [site visited Mar. 26, 2010]. Available from Internet, <URL: http://www.gsmarena.com>.\*

HTC S740 telephone, announced Aug. 2008, [online], [site visited Mar. 26, 2010]. Available from Internet, <URL: http://www.gsmarena.com>.\*

\* cited by examiner

*Primary Examiner*—Jeffrey D Asch

(74) *Attorney, Agent, or Firm*—Slater & Matsil, L.L.P.

(57) **CLAIM**

The ornamental design for a mobile phone, as shown and described.

**DESCRIPTION**

FIG. 1 is a bottom view of a mobile phone;

FIG. 2 is a right side view thereof;

FIG. 3 is a front view thereof;

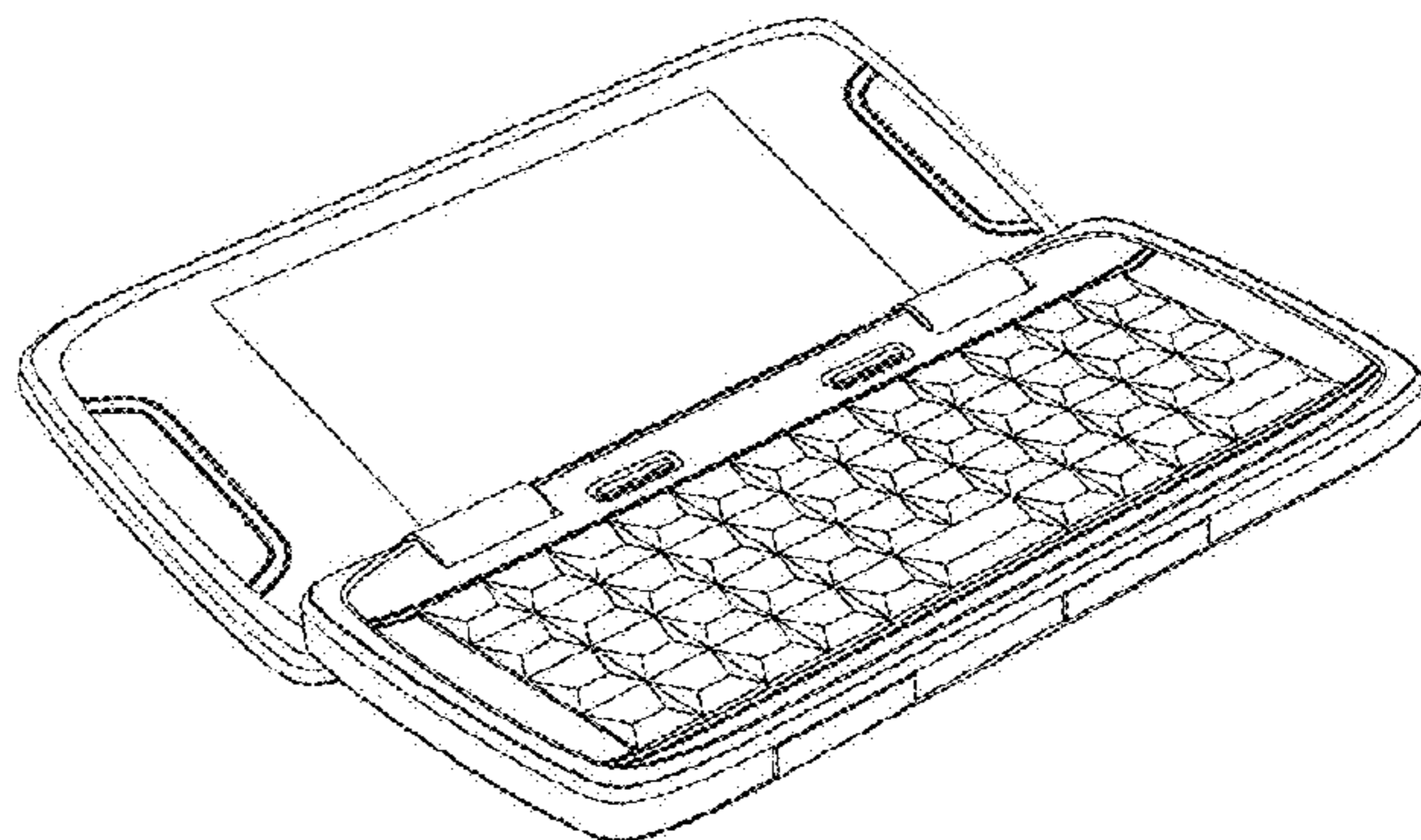
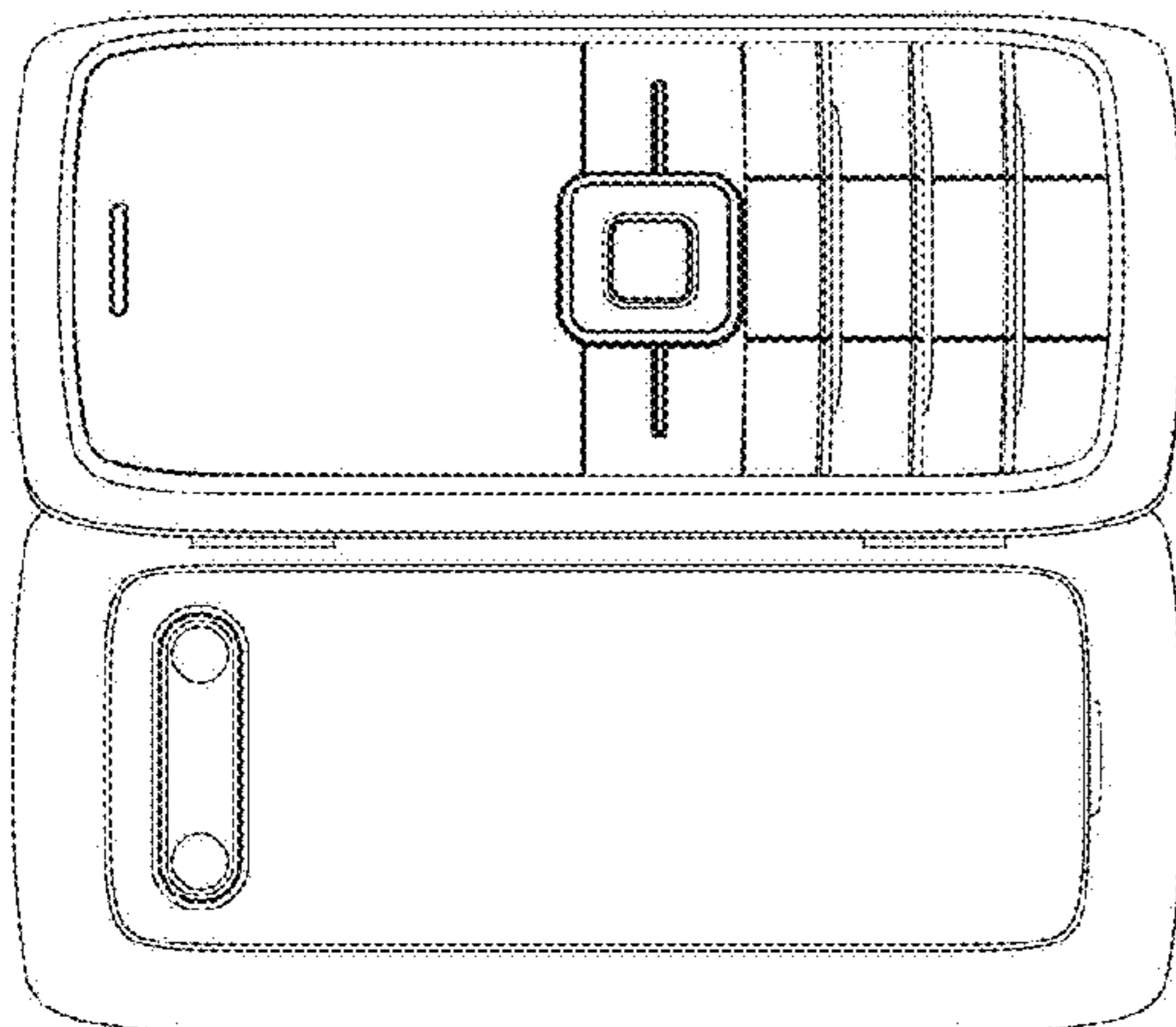
FIG. 4 is a left side view thereof;

FIG. 5 is a back view thereof;

FIG. 6 is a top view thereof; and,

FIG. 7 is a front perspective view thereof.

**1 Claim, 7 Drawing Sheets**



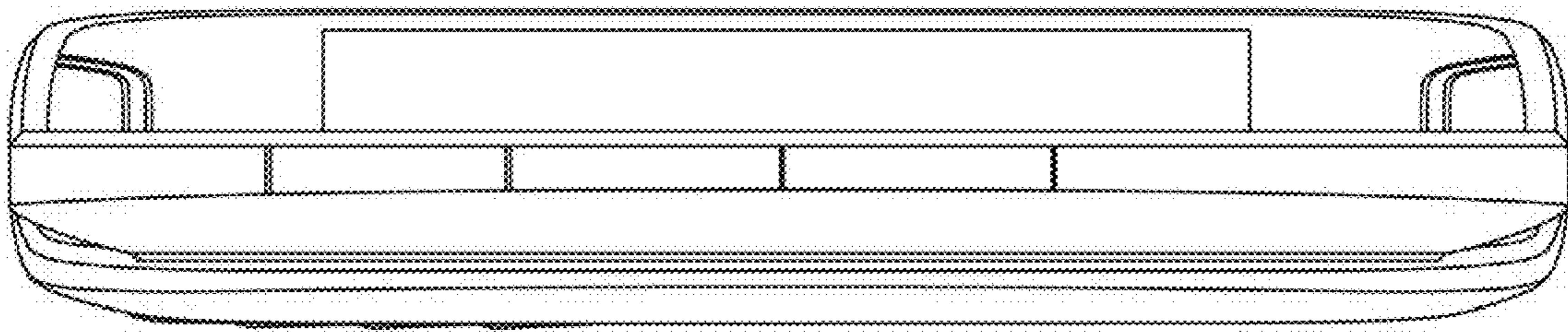


FIG. 1

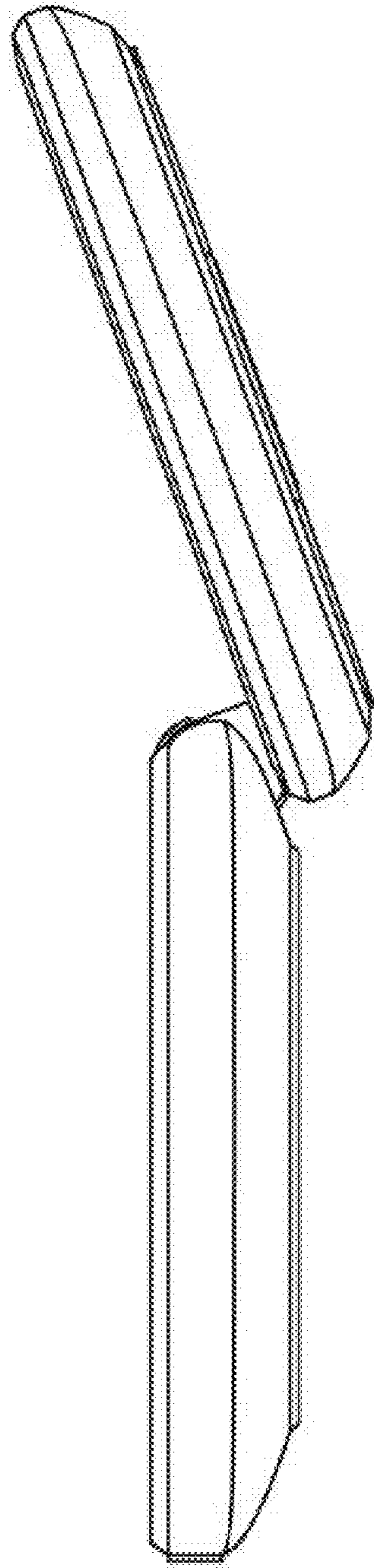


FIG. 2



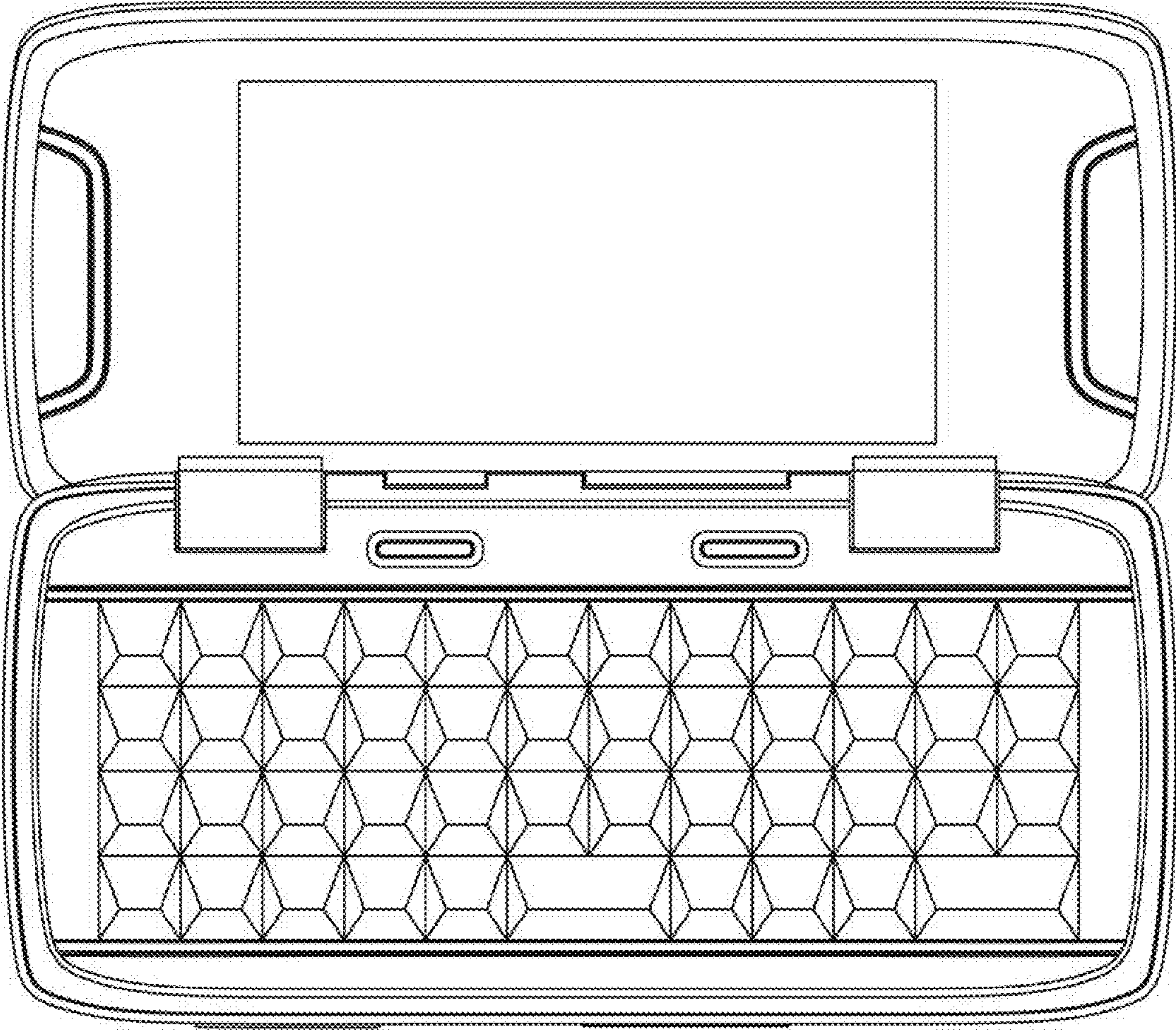


FIG. 3

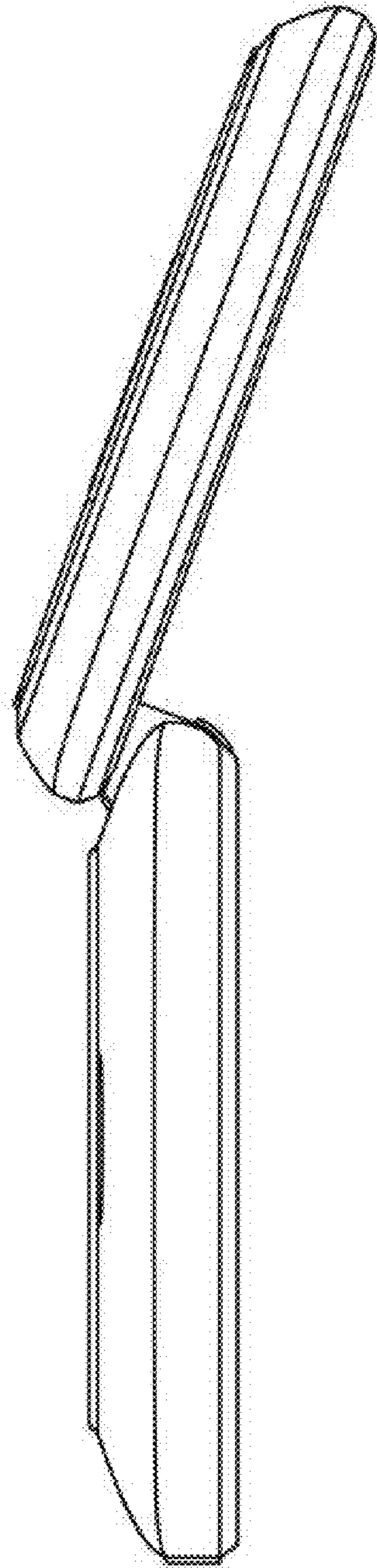


FIG. 4

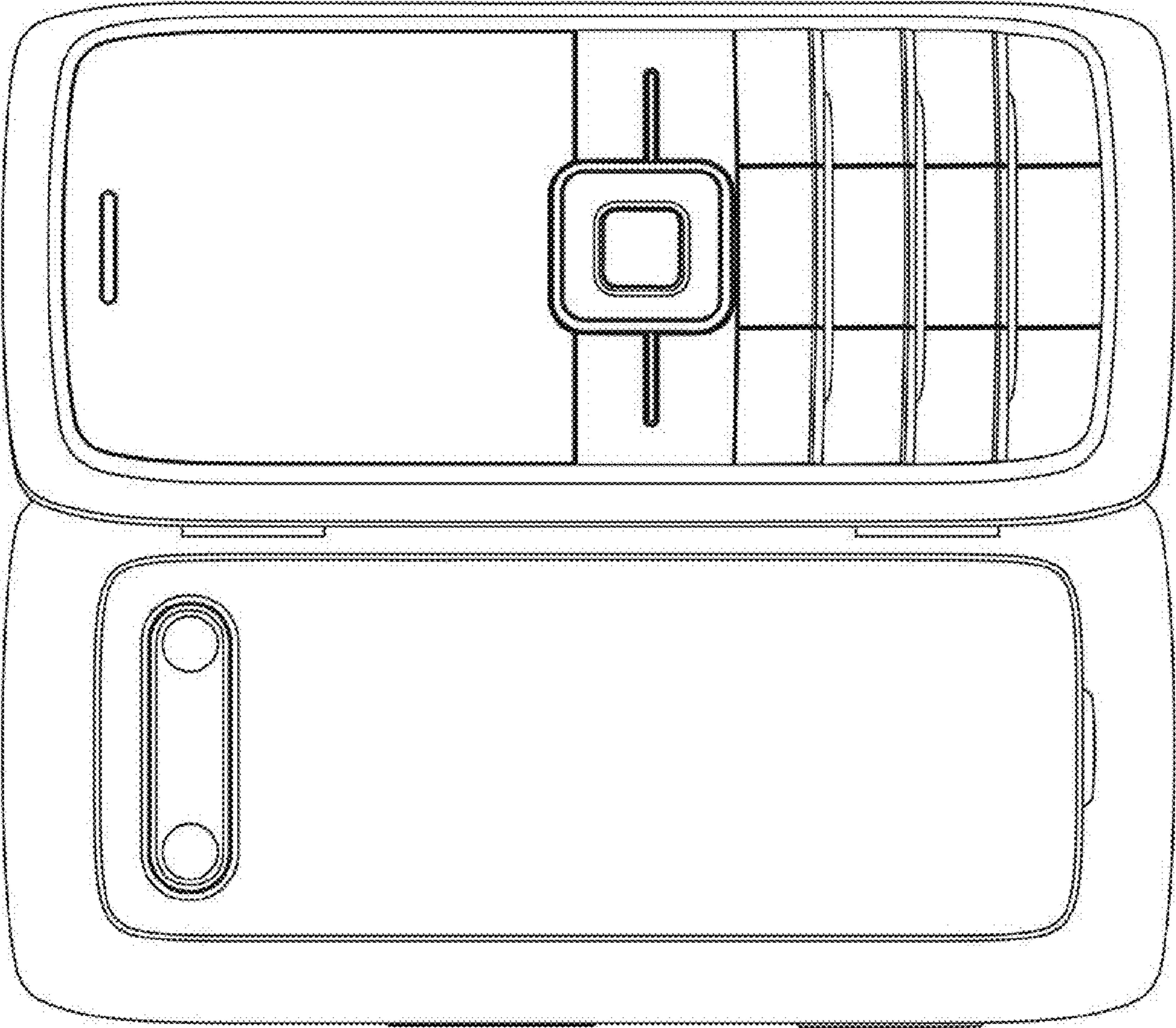


FIG. 5

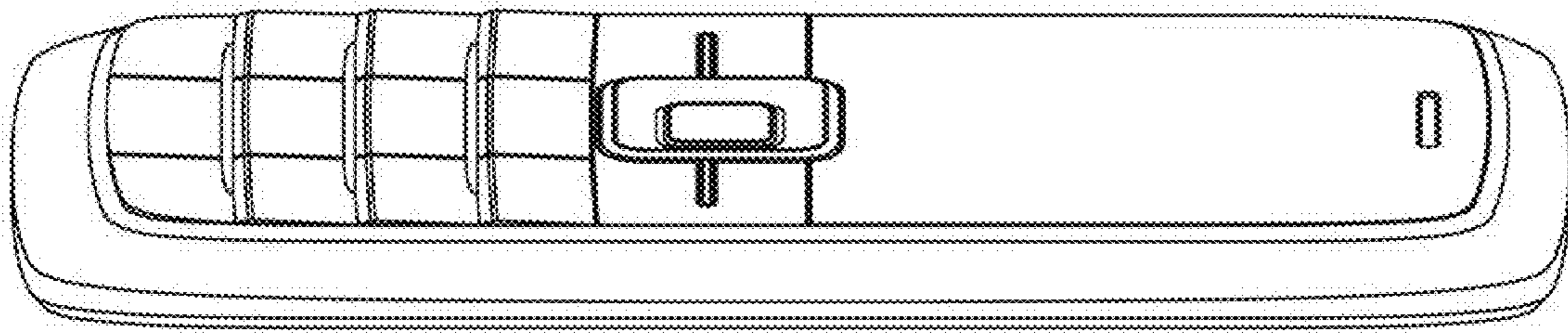


FIG. 6



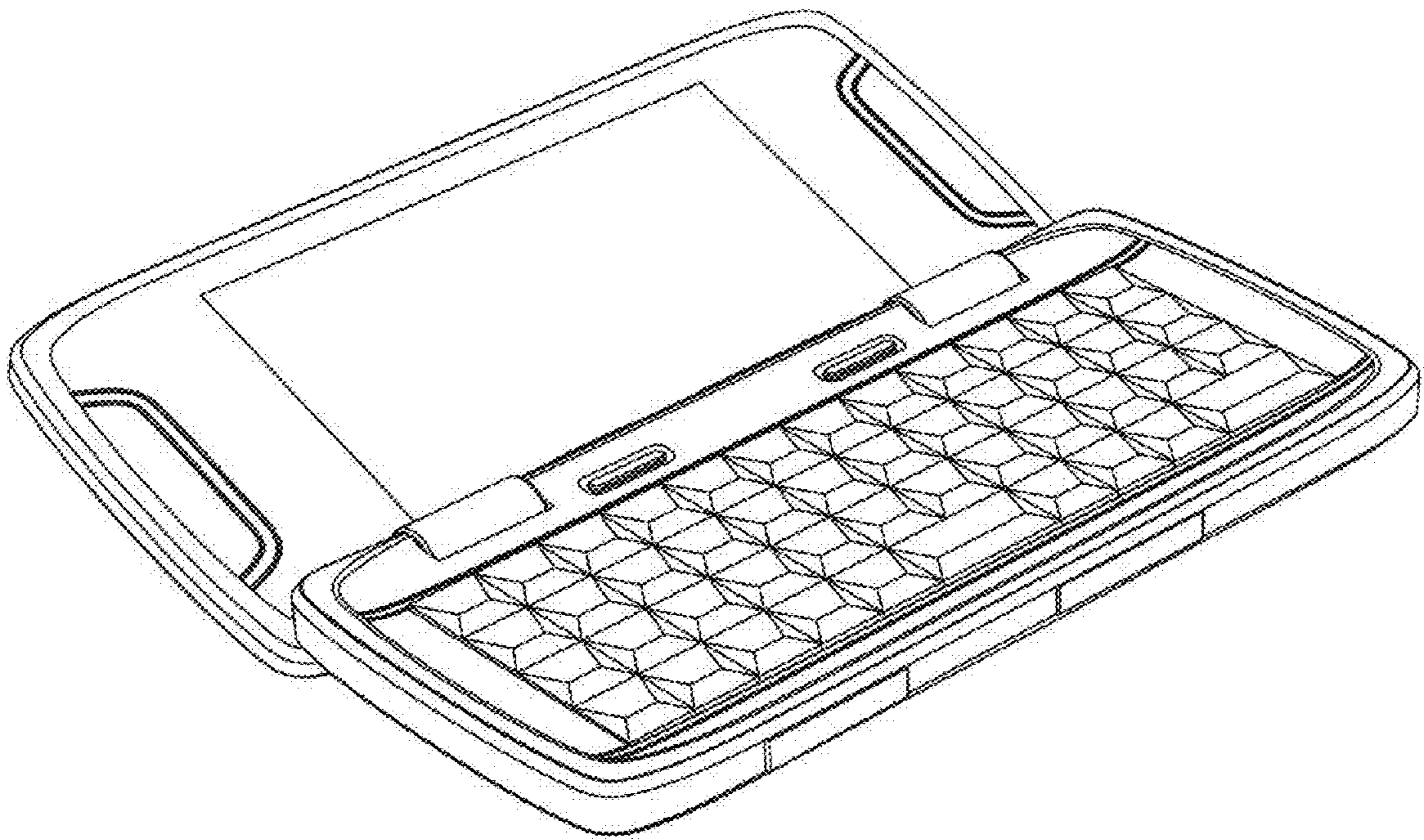


FIG. 7