



US00D626925S

(12) **United States Design Patent**
Li

(10) **Patent No.:** **US D626,925 S**

(45) **Date of Patent:** **** Nov. 9, 2010**

(54) **FLAT-PANEL TV**

D562,788 S * 2/2008 Asanuma et al. D14/126

(75) Inventor: **Zhao Li**, Guangdong Province (CN)

* cited by examiner

(73) Assignee: **Shenzhen Skyworth-RGB Electronic Co., Ltd.**, Guangdong Province (CN)

Primary Examiner—Raphael Barkai

(74) *Attorney, Agent, or Firm*—Rankin Hill & Clark LLP

(**) Term: **14 Years**

(57) **CLAIM**

(21) Appl. No.: **29/355,457**

The ornamental design for a “flat-panel TV,” as shown and described.

(22) Filed: **Feb. 8, 2010**

DESCRIPTION

(30) **Foreign Application Priority Data**

Aug. 26, 2009 (CN) 200930168331

FIG. 1 is a front, top and right side perspective view of a flat-panel TV showing my new design;

(51) **LOC (9) Cl.** **14-03**

FIG. 2 is a front elevational view thereof;

(52) **U.S. Cl.** **D14/126**

FIG. 3 is a rear elevational view thereof;

(58) **Field of Classification Search** D14/125–134, D14/239, 371, 136, 374–377, 440, 450, 448, D14/336, 342; 312/7.2; 348/836, 838, 180, 348/184, 325, 739; 341/12; 248/917–924, 248/465; 345/104, 133, 156, 168, 87, 173; 720/605, 669, 600, 655; 369/99, 197; D21/329, D21/515, 577, 622, 333, 433, 448, 452, 450, D21/331; D6/477, 479, 300; 273/148 B; 446/484, 175, 356; D10/15, 26

FIG. 4 is a left side elevational view thereof;

FIG. 5 is a right side elevational view thereof;

FIG. 6 is a top plan view thereof;

FIG. 7 is a bottom plan view thereof;

FIG. 8 is a schematic, partially enlarged view of section VIII of FIG. 3;

FIG. 9 is a schematic, partially enlarged view of section IX of FIG. 3;

FIG. 10 is a schematic, partially enlarged view of section X of FIG. 4; and,

FIG. 11 is a schematic, partially enlarged view of section XI of FIG. 5.

See application file for complete search history.

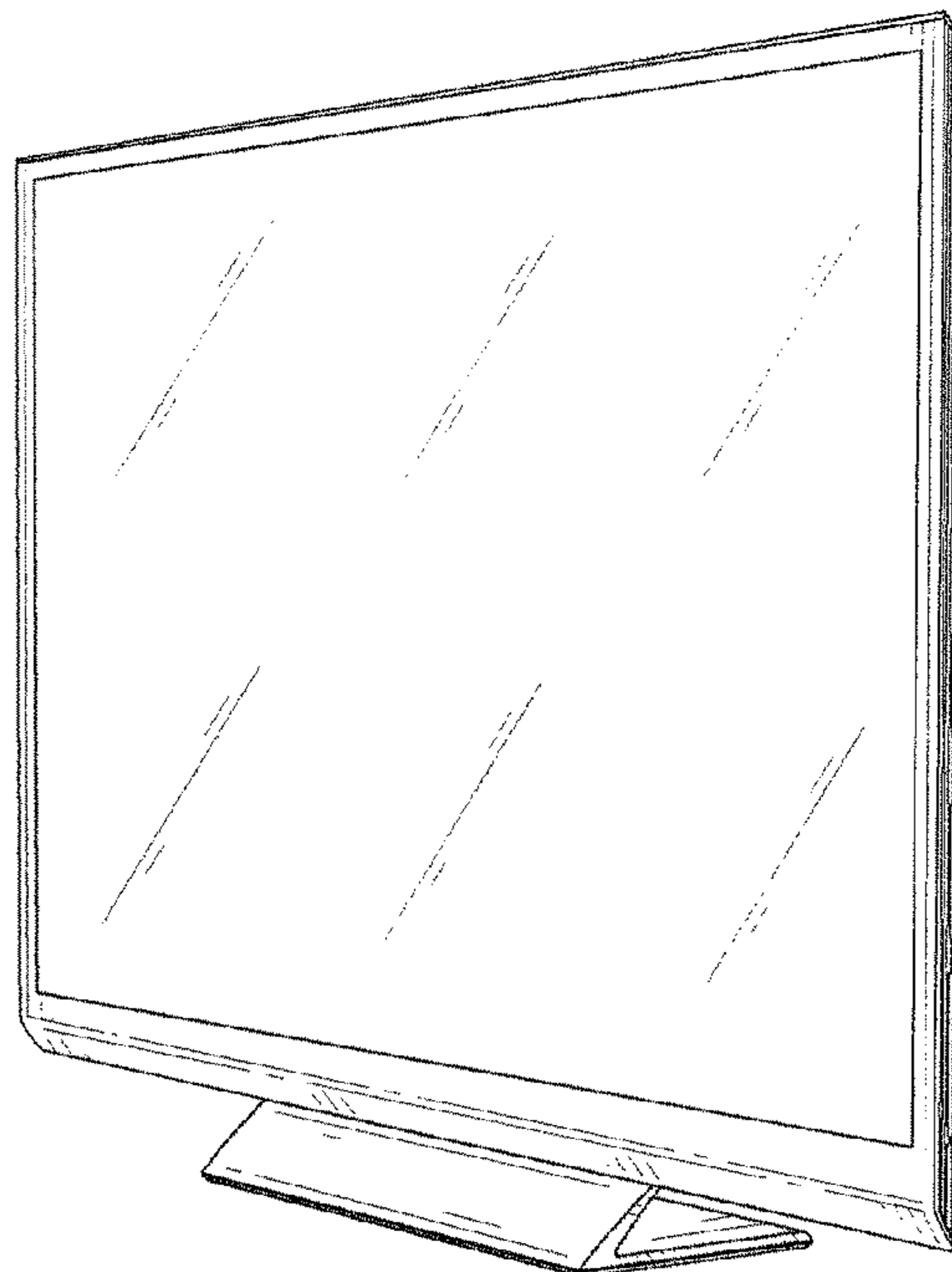
(56) **References Cited**

U.S. PATENT DOCUMENTS

D523,828 S * 6/2006 Hoehn et al. D14/126

D545,782 S * 7/2007 Schiller et al. D14/126

1 Claim, 11 Drawing Sheets



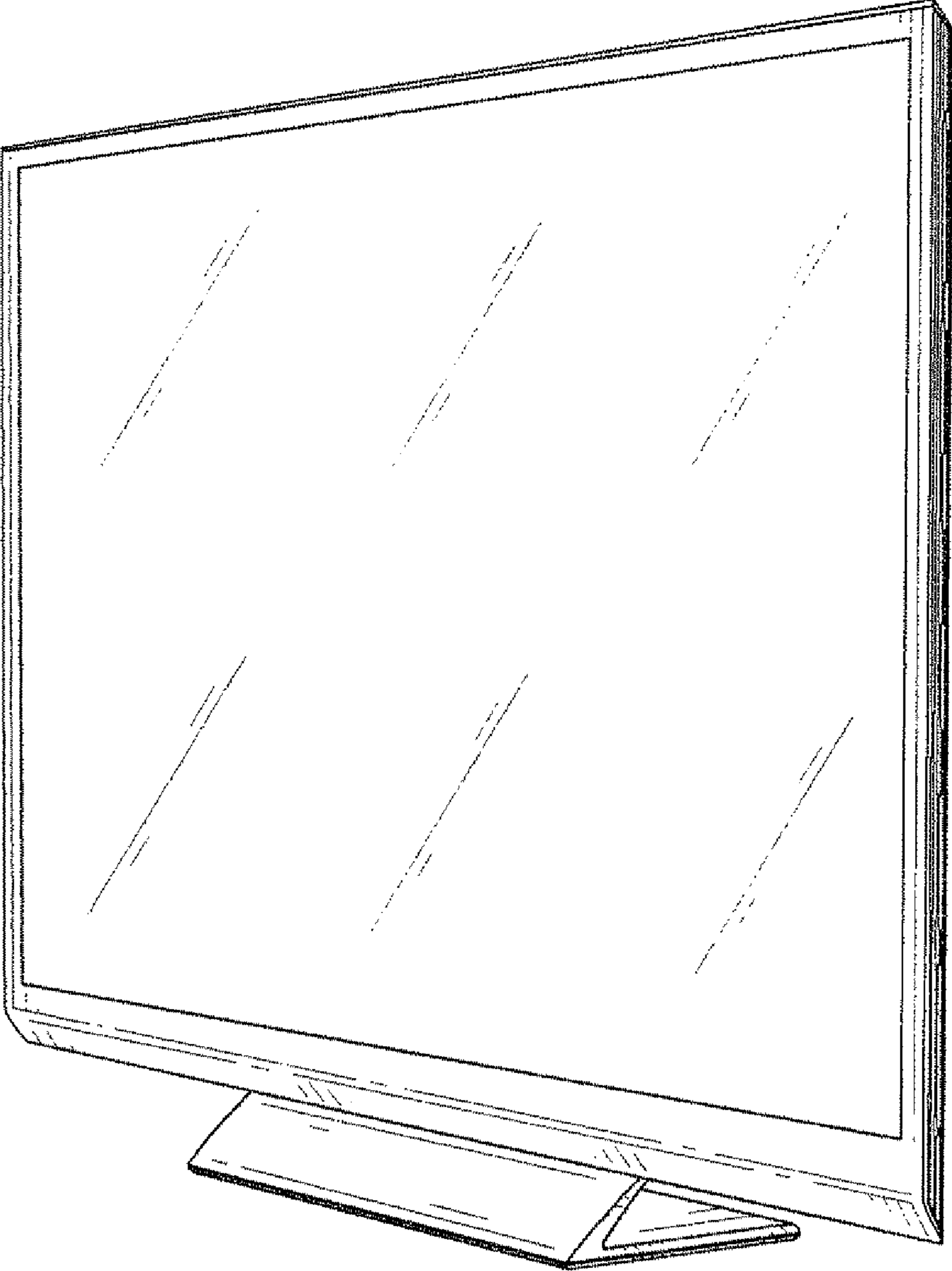


FIG. 1

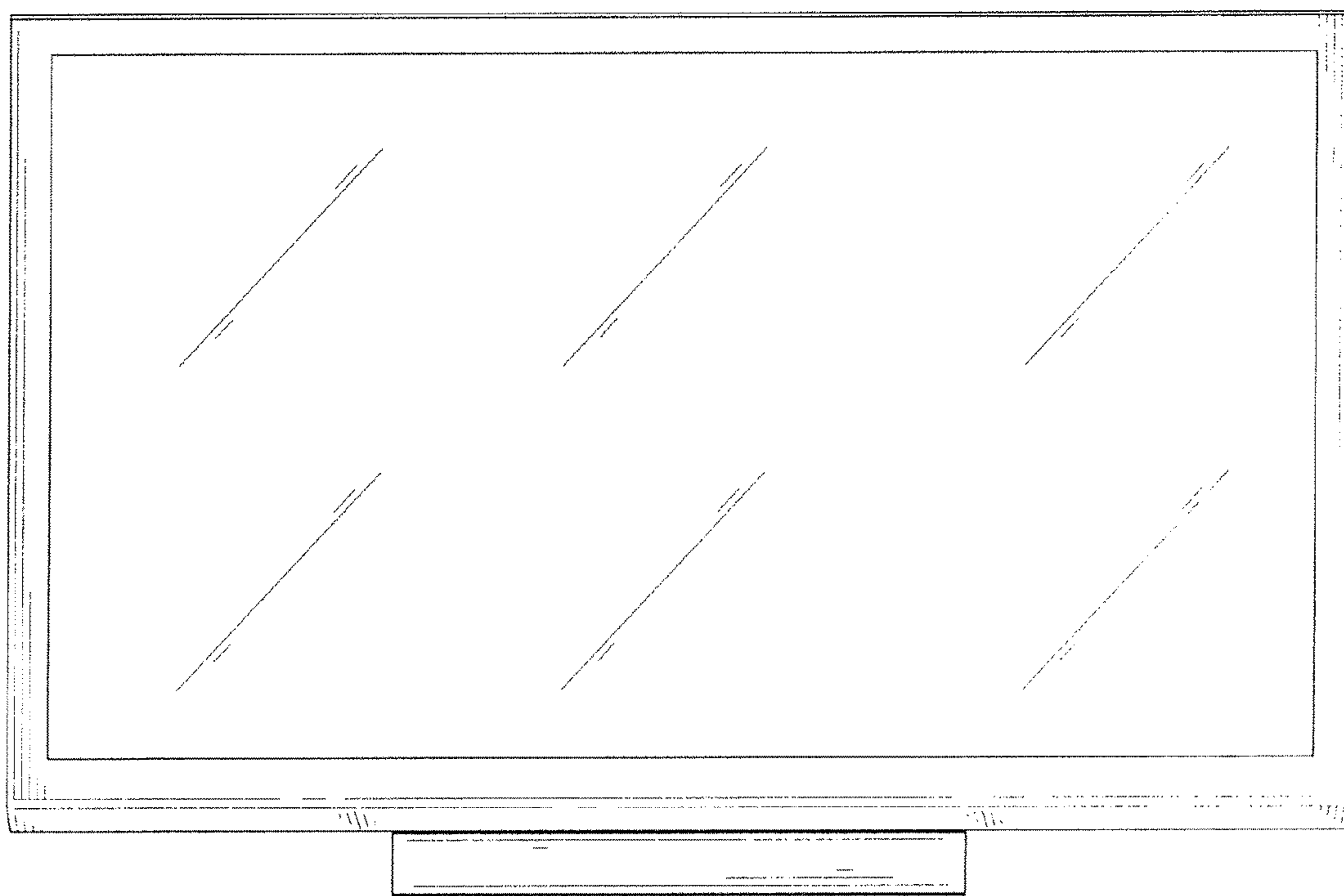


FIG. 2

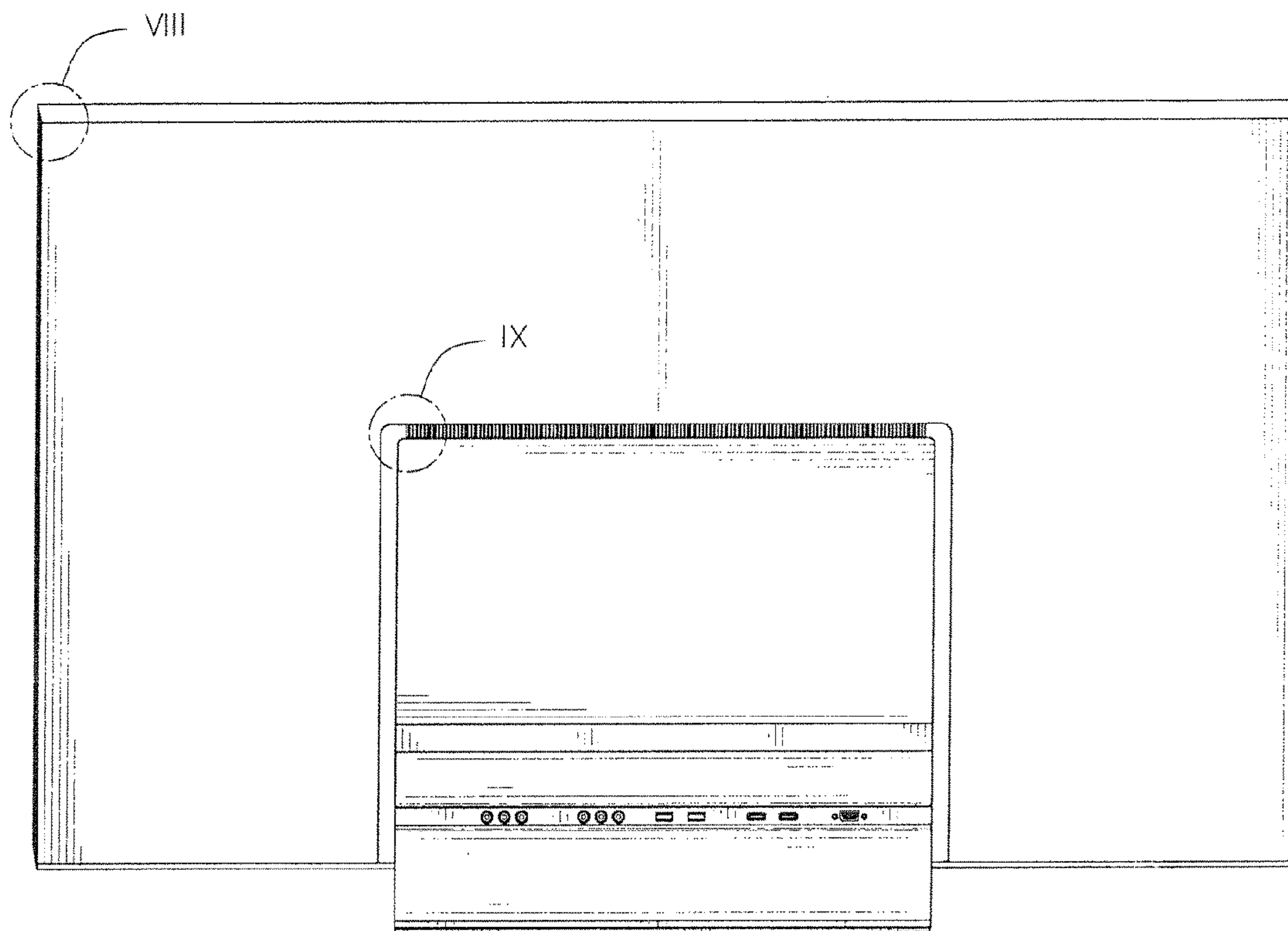


FIG. 3

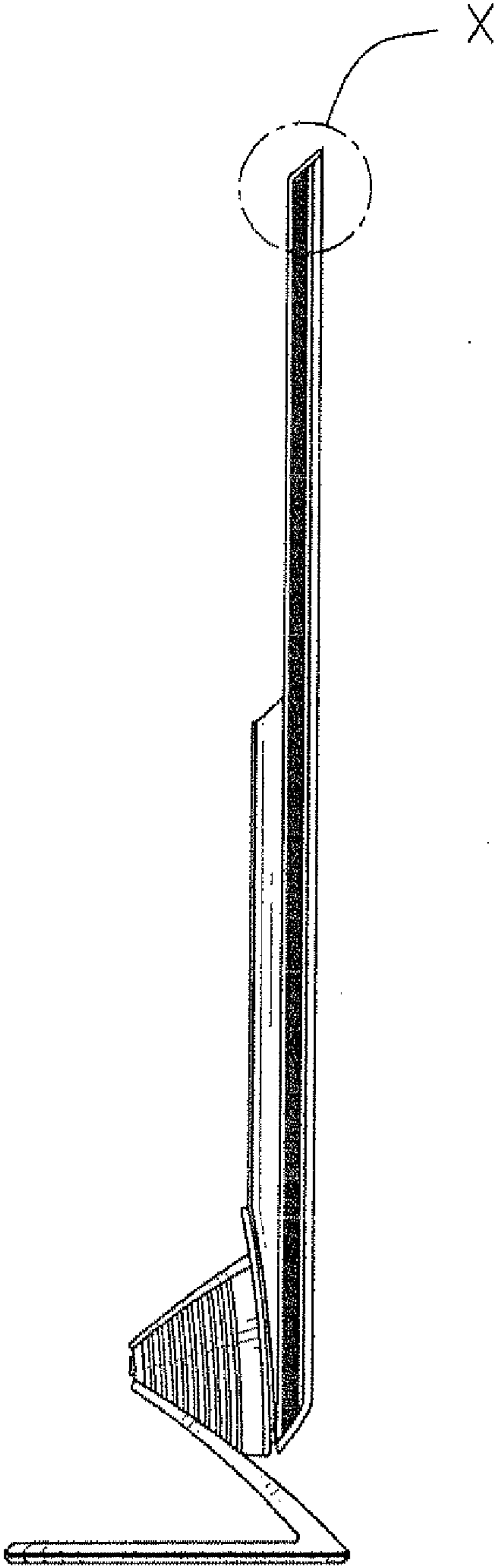


FIG. 4

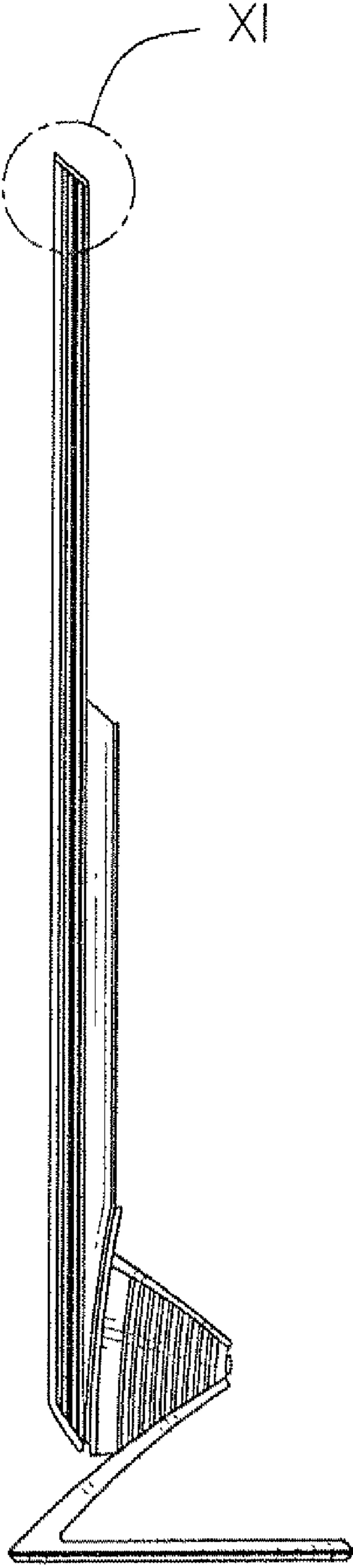


FIG. 5

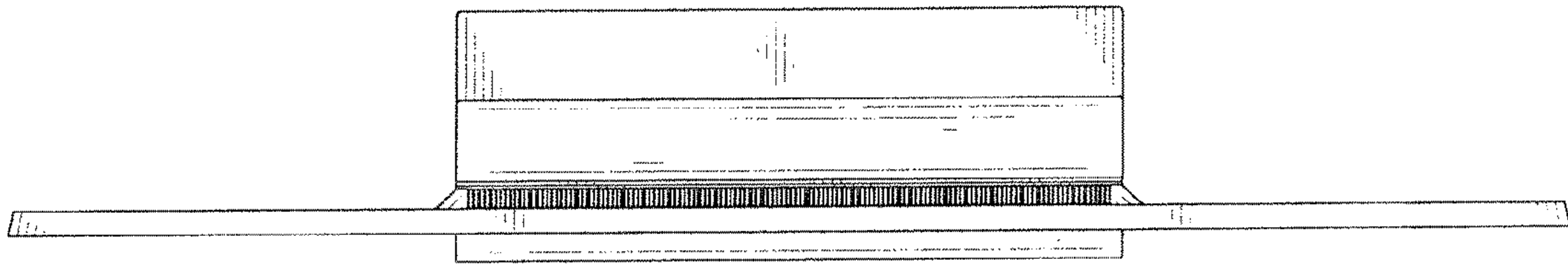


FIG. 6

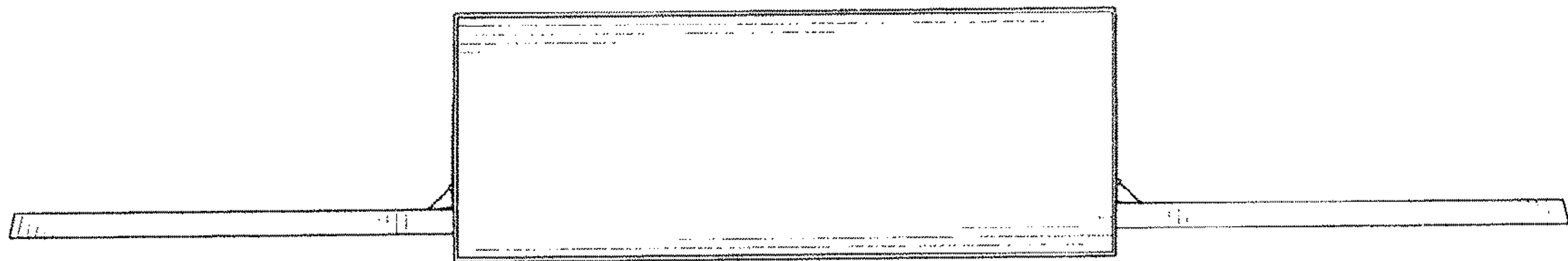


FIG. 7

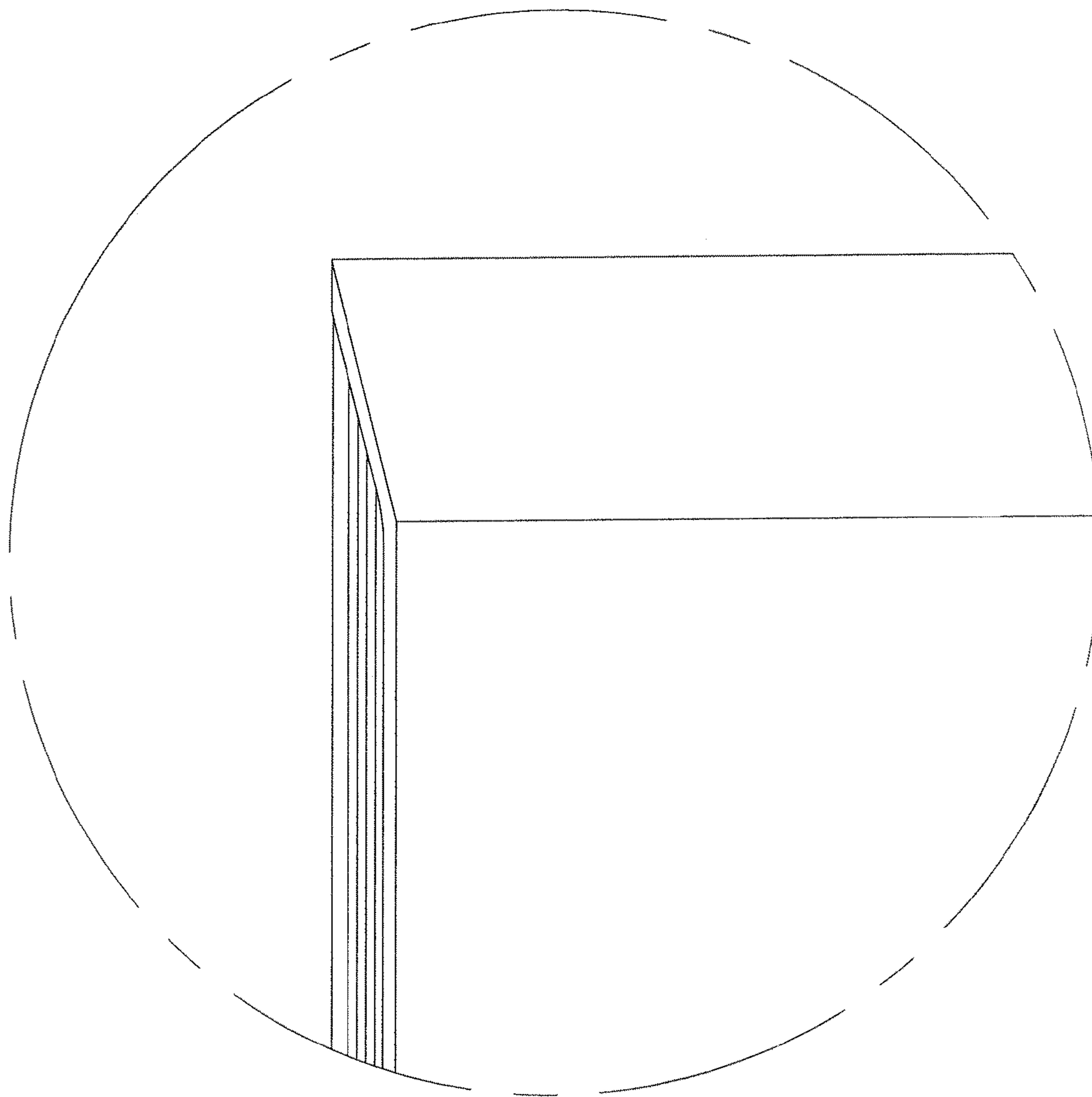


FIG. 8

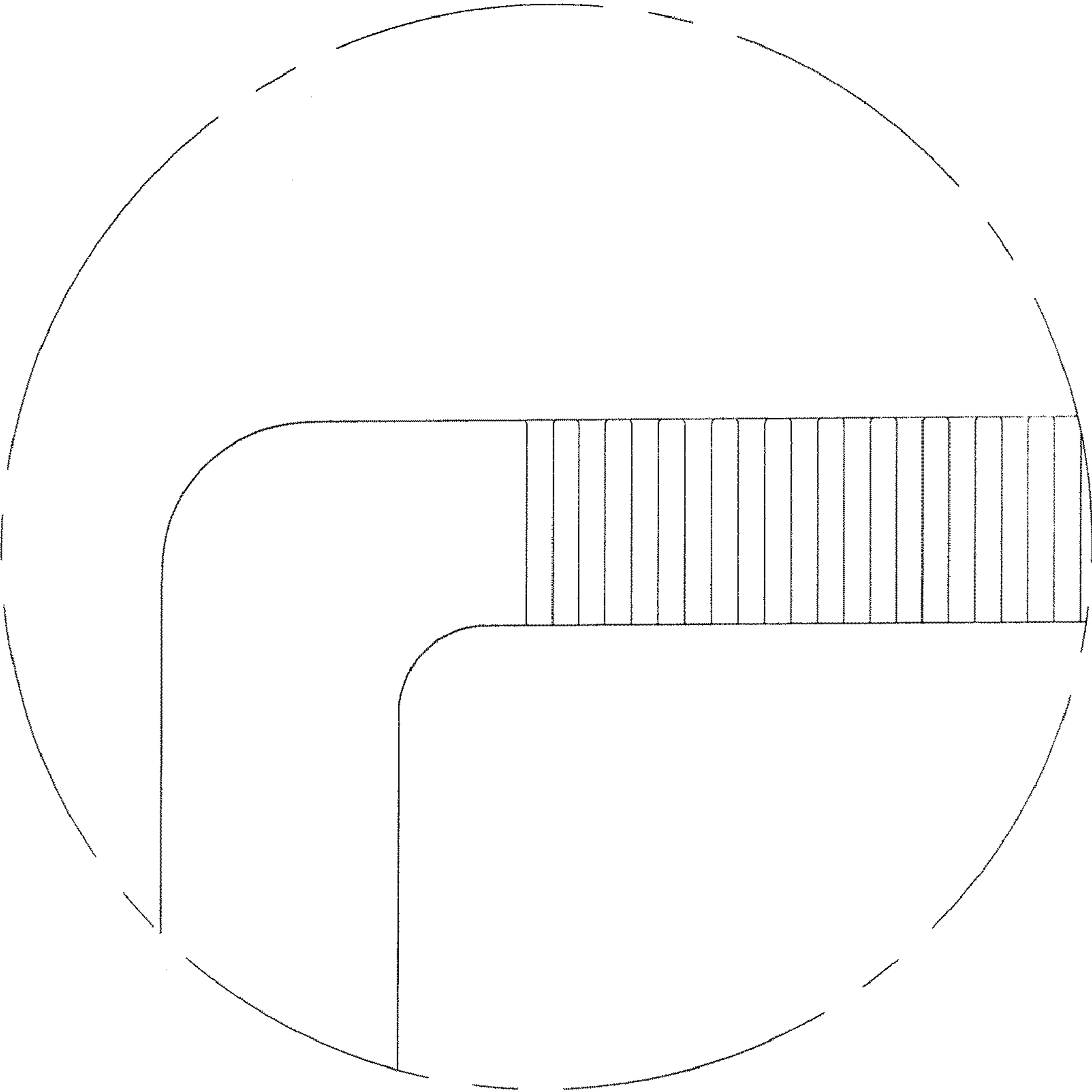


FIG. 9

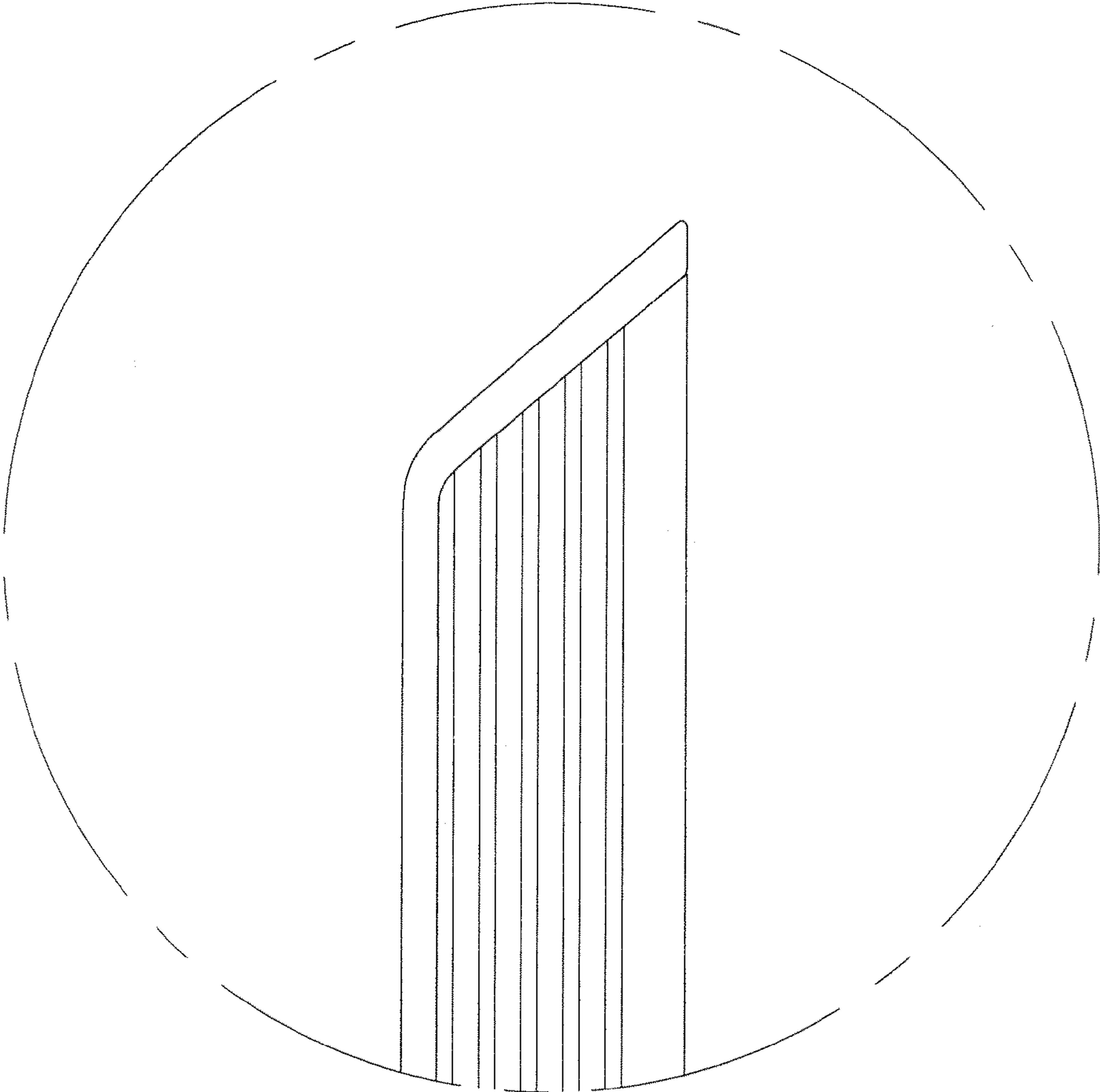


FIG. 10

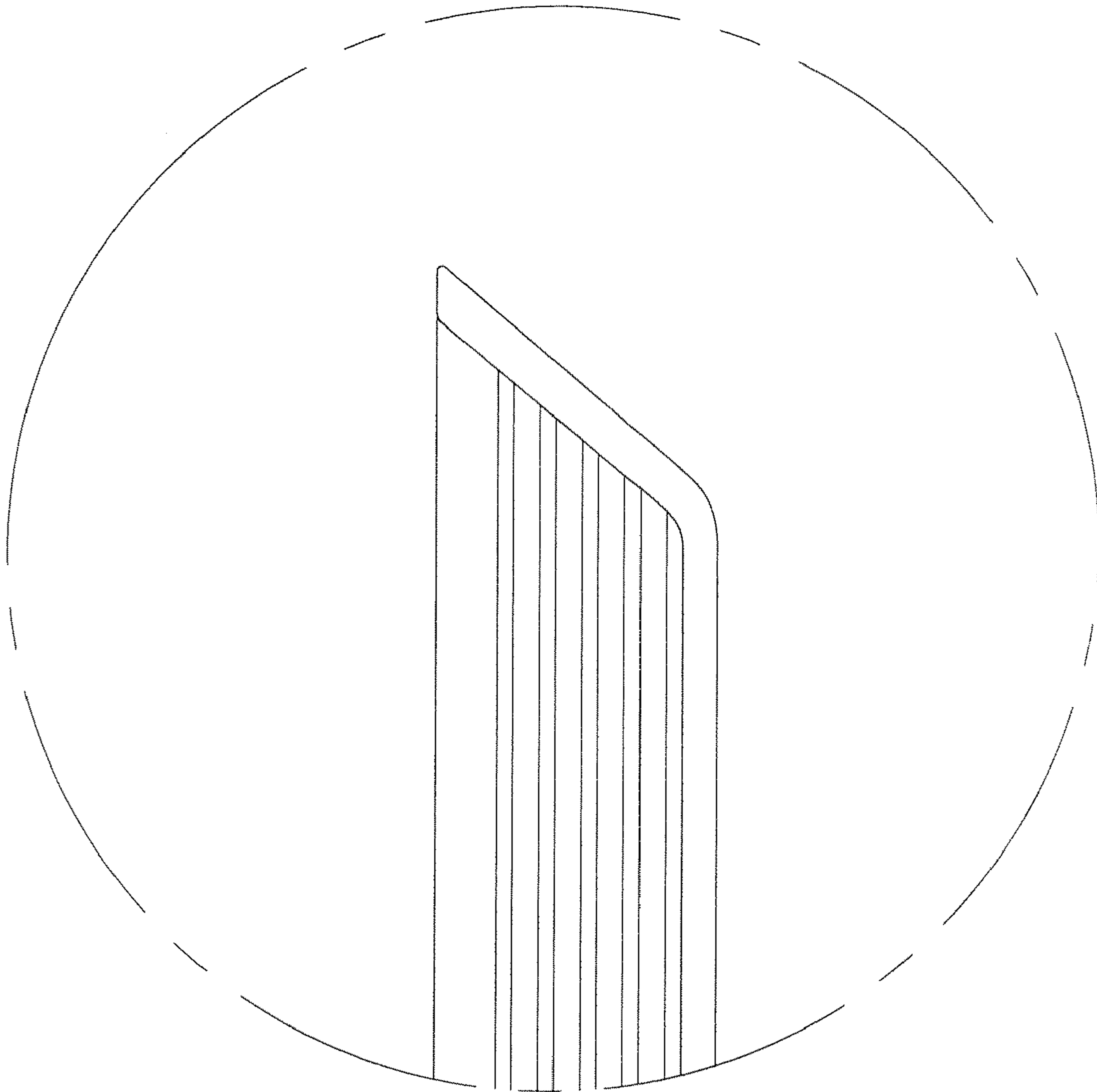


FIG. 11