



US00D626924S

(12) **United States Design Patent**
Miyaji

(10) **Patent No.:** **US D626,924 S**

(45) **Date of Patent:** **** Nov. 9, 2010**

(54) **TELEVISION RECEIVER**

(75) Inventor: **Taihei Miyaji**, Tokyo (JP)

(73) Assignee: **Kabushiki Kaisha Toshiba**, Tokyo (JP)

(**) Term: **14 Years**

(21) Appl. No.: **29/354,856**

(22) Filed: **Jan. 29, 2010**

(30) **Foreign Application Priority Data**

Nov. 30, 2009 (JP) 2009-027926

(51) **LOC (9) Cl.** **14-03**

(52) **U.S. Cl.** **D14/126**

(58) **Field of Classification Search** D14/125-134,
D14/239, 371, 136, 374-377, 440, 450, 448,
D14/336, 342; 312/7.2; 348/836, 838, 180,
348/184, 325, 739; 341/12; 248/917-924,
248/465; 345/104, 133, 156, 168, 87, 173;
720/605, 669, 600, 655; 369/99, 197; 455/344,
455/347; D21/329, 515, 577, 622, 333, 433,
D21/448, 452, 450, 331; D6/477, 479, 300;
273/148 B; 446/484, 175, 356; D10/15,
D10/26

See application file for complete search history.

(56) **References Cited**

U.S. PATENT DOCUMENTS

D535,265 S * 1/2007 Inoue D14/126

D540,275 S * 4/2007 Lewis D14/126
D545,778 S * 7/2007 Isshiki D14/126
D551,192 S * 9/2007 Tang D14/126
D596,596 S * 7/2009 Honda D14/126
D606,953 S * 12/2009 Shin et al. D14/126

FOREIGN PATENT DOCUMENTS

JP 1025568-01 11/1998

* cited by examiner

Primary Examiner—Raphael Barkai

(74) *Attorney, Agent, or Firm*—Banner & Witcoff, Ltd.

(57) **CLAIM**

The ornamental design for a television receiver, as shown and described.

DESCRIPTION

FIG. 1 is a front perspective view of a television receiver showing my new design,

FIG. 2 is a front elevational view thereof,

FIG. 3 is a rear elevational view thereof,

FIG. 4 is a top plan view thereof,

FIG. 5 is a bottom plan view thereof,

FIG. 6 is a right side elevational view thereof, a left side elevational view being a mirror image thereof; and,

FIG. 7 is a rear perspective view thereof.

1 Claim, 4 Drawing Sheets

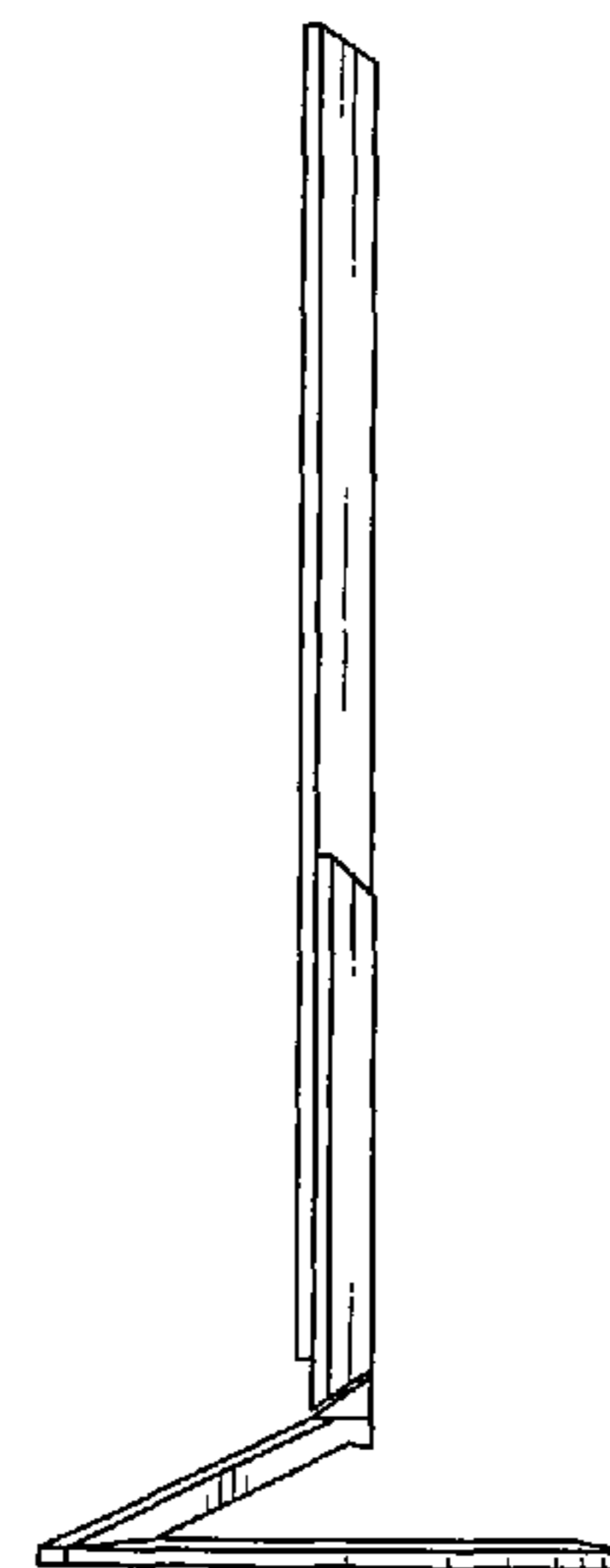
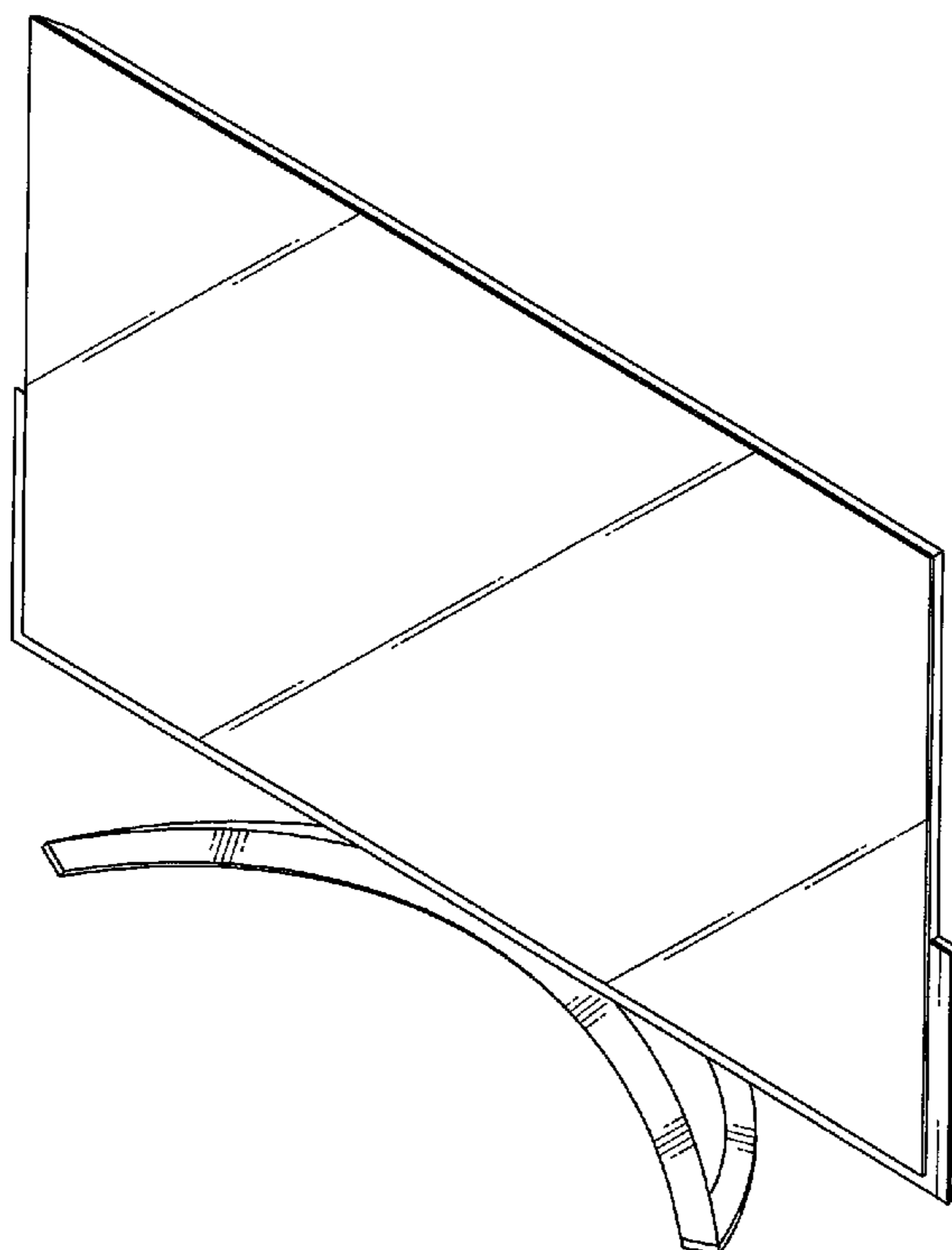


FIG. 1

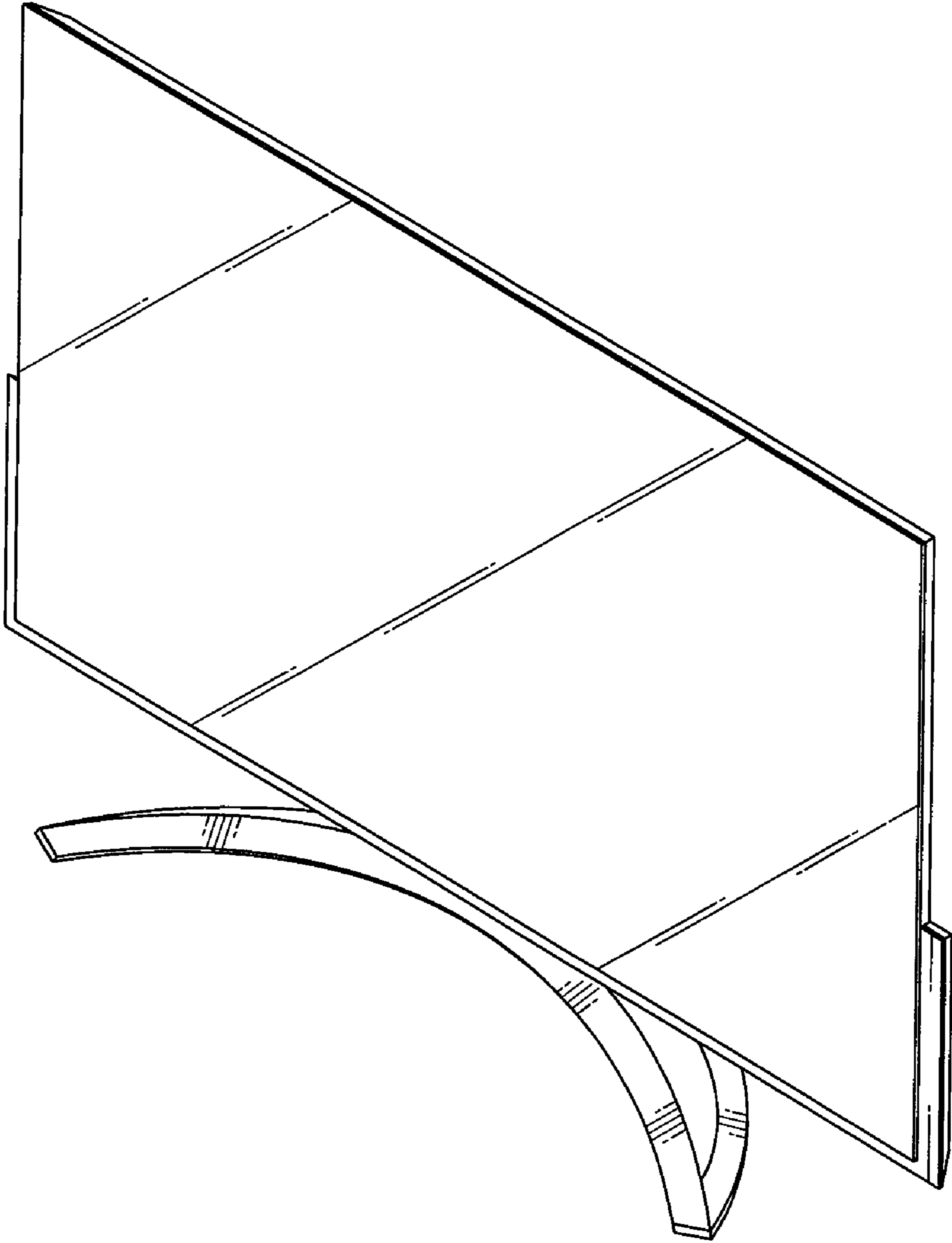


FIG.2

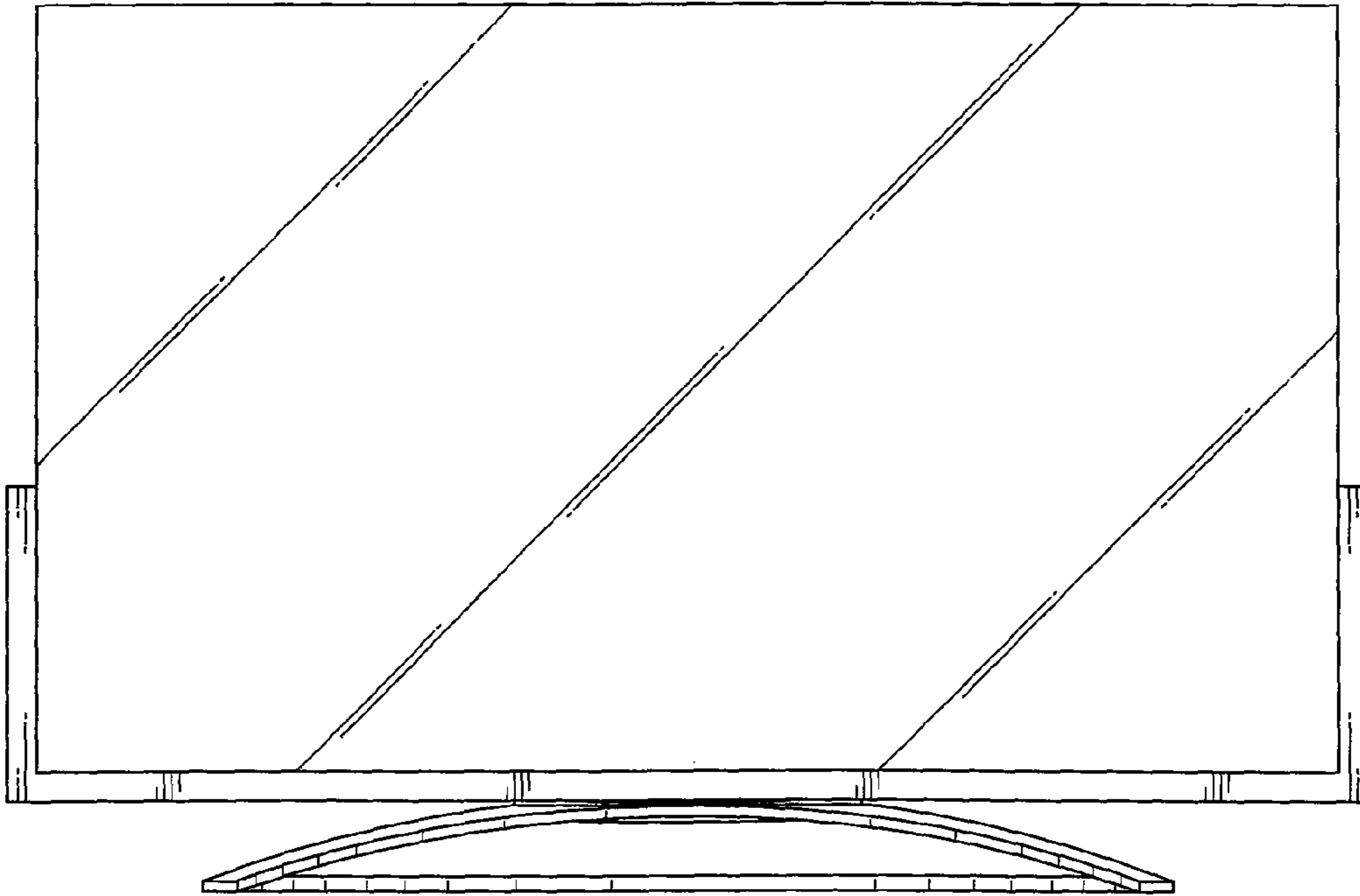


FIG.3

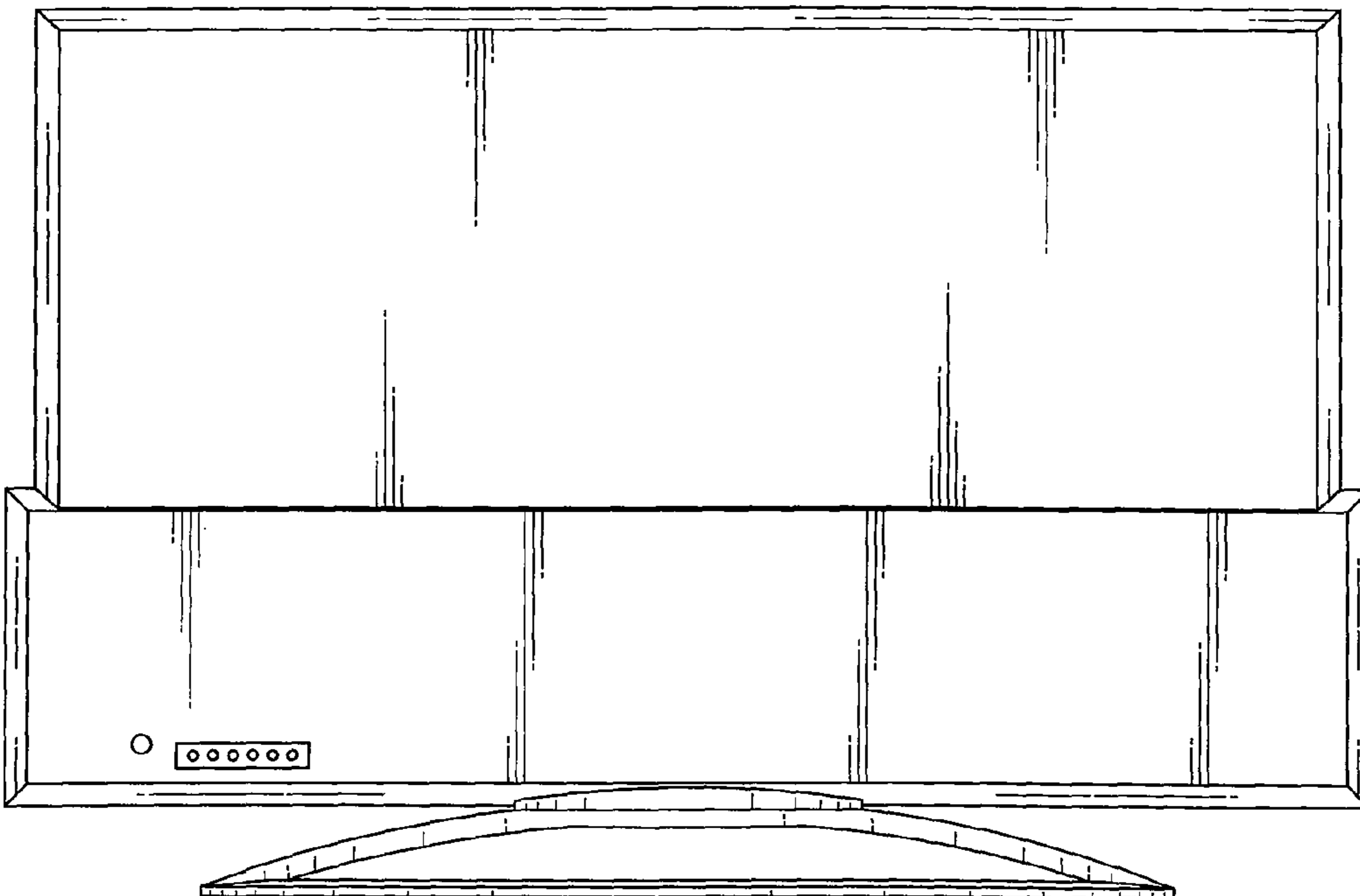


FIG.4

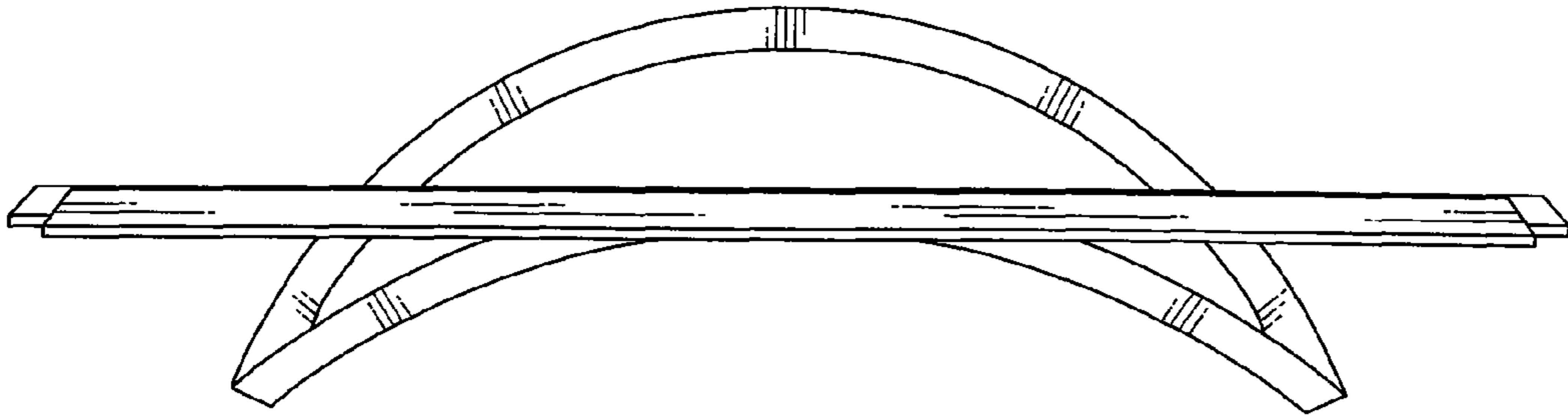


FIG.5

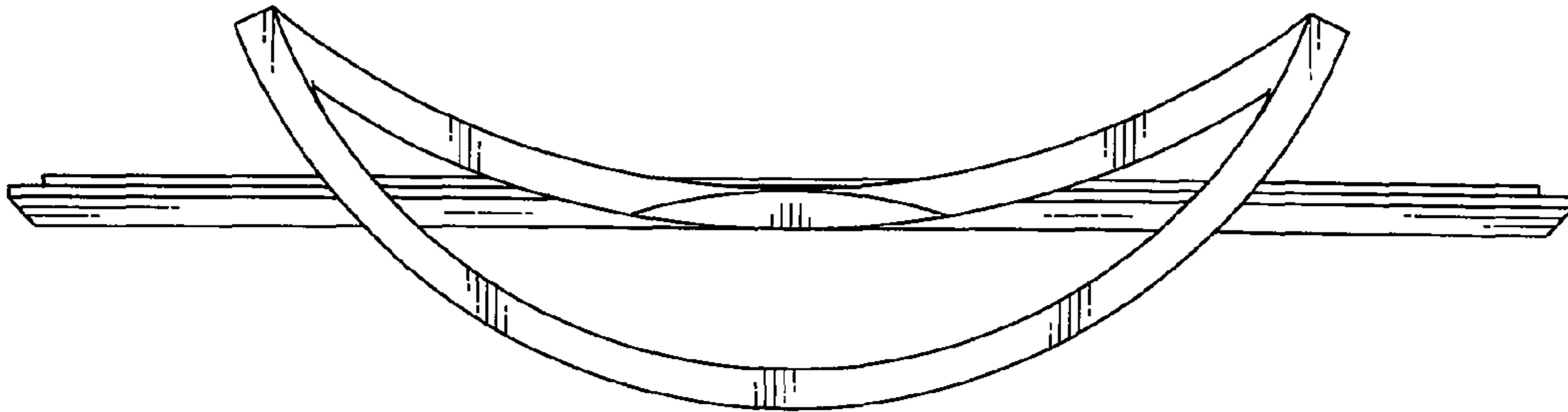


FIG.6

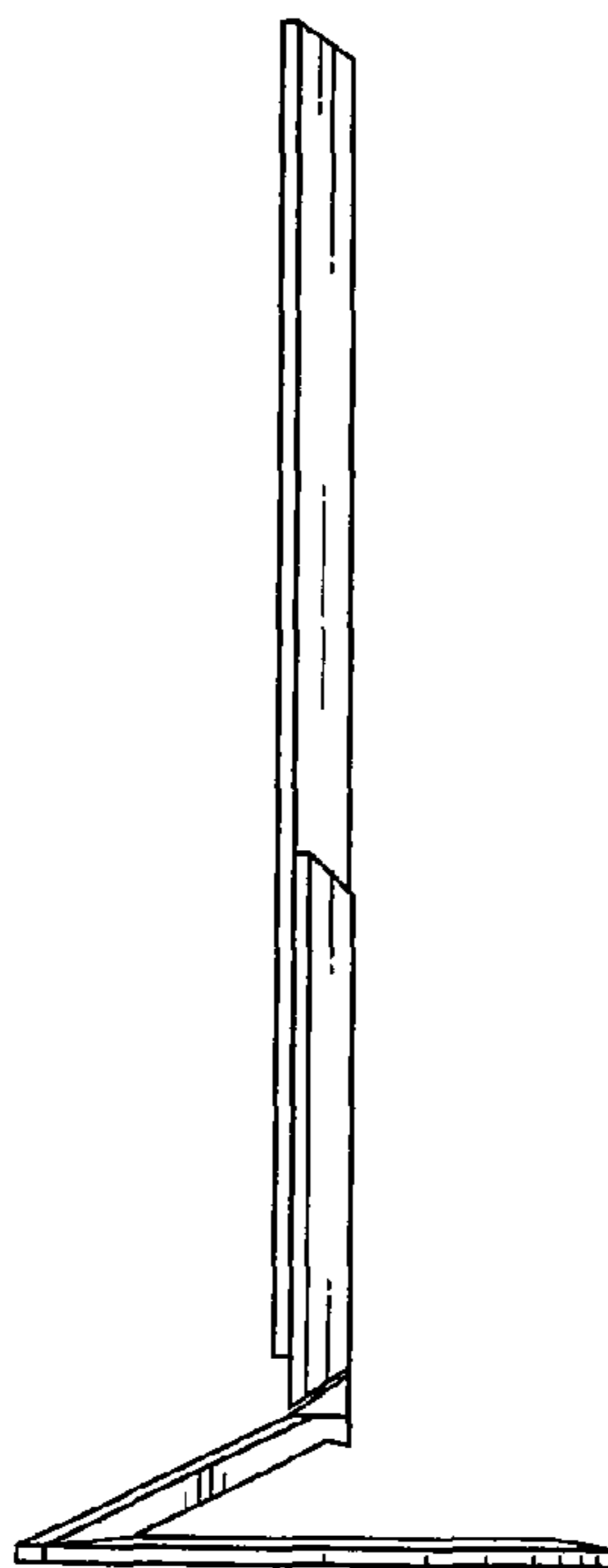


FIG.7

