

US00D626922S

(12) **United States Design Patent**
Wada

(10) **Patent No.:** **US D626,922 S**

(45) **Date of Patent:** **** Nov. 9, 2010**

(54) **LIGHT-EMITTING DIODE**

(75) Inventor: **Takahiro Wada**, Hachioji (JP)

(73) Assignees: **Citizen Electronics Co., Ltd.**,
Yamanashi (JP); **Citizen Holdings Co., Ltd.**,
Tokyo (JP)

(**) Term: **14 Years**

(21) Appl. No.: **29/356,278**

(22) Filed: **Feb. 23, 2010**

(51) **LOC (9) Cl.** **13-03**

(52) **U.S. Cl.** **D13/180**

(58) **Field of Classification Search** D13/180;
D26/2; 257/79, 80, 81, 88, 89, 95, 98, 99,
257/100, E33.058; 313/483, 498, 500; 362/555,
362/800

See application file for complete search history.

(56) **References Cited**

U.S. PATENT DOCUMENTS

D475,982 S * 6/2003 Horii et al. D13/182
6,677,667 B1 * 1/2004 Hong et al. 257/684
6,734,536 B2 * 5/2004 Kobayakawa 257/676
7,298,034 B2 * 11/2007 Carney et al. 257/686
D578,490 S * 10/2008 Lee et al. D13/180

D578,969 S * 10/2008 Kobayakawa D13/180
D582,865 S * 12/2008 Edmond et al. D13/180
D600,658 S * 9/2009 Takano D13/180
2002/0121684 A1 * 9/2002 Kobayakawa 257/676
2003/0122225 A1 * 7/2003 Fukui et al. 257/676
2009/0057855 A1 * 3/2009 Quinones et al. 257/676

* cited by examiner

Primary Examiner—Selina Sikder

(74) *Attorney, Agent, or Firm*—Browdy and Neimark, PLLC

(57) **CLAIM**

The ornamental design for a light-emitting diode, as shown and described here.

DESCRIPTION

FIG. 1 is a top perspective view of the light-emitting diode showing my new design;

FIG. 2 is a front elevation view thereof;

FIG. 3 is a rear elevation view thereof;

FIG. 4 is a top plan view thereof;

FIG. 5 is a bottom plan view thereof;

FIG. 6 is a left side view thereof; and,

FIG. 7 is a right side view thereof.

1 Claim, 7 Drawing Sheets

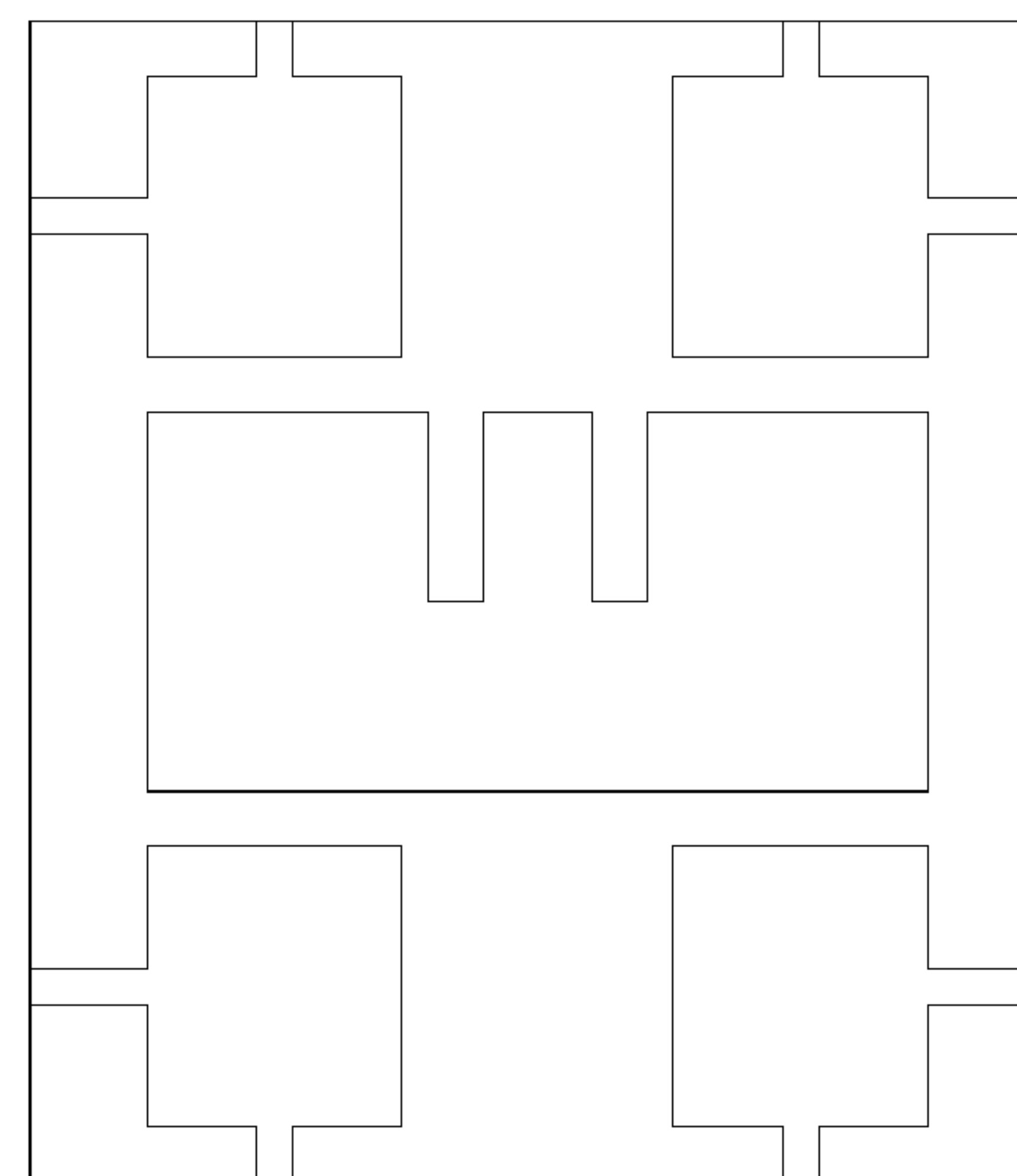
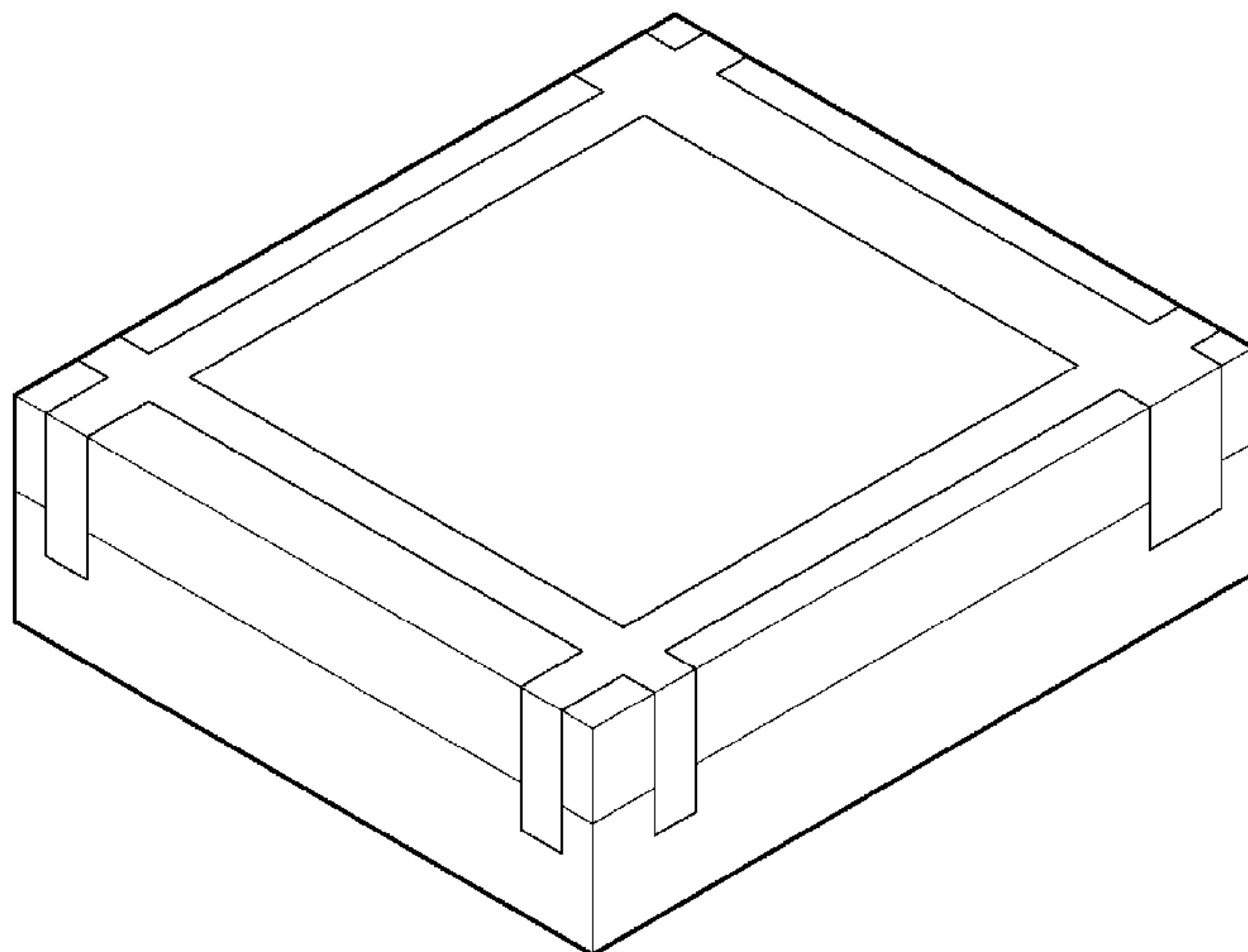


Fig. 1

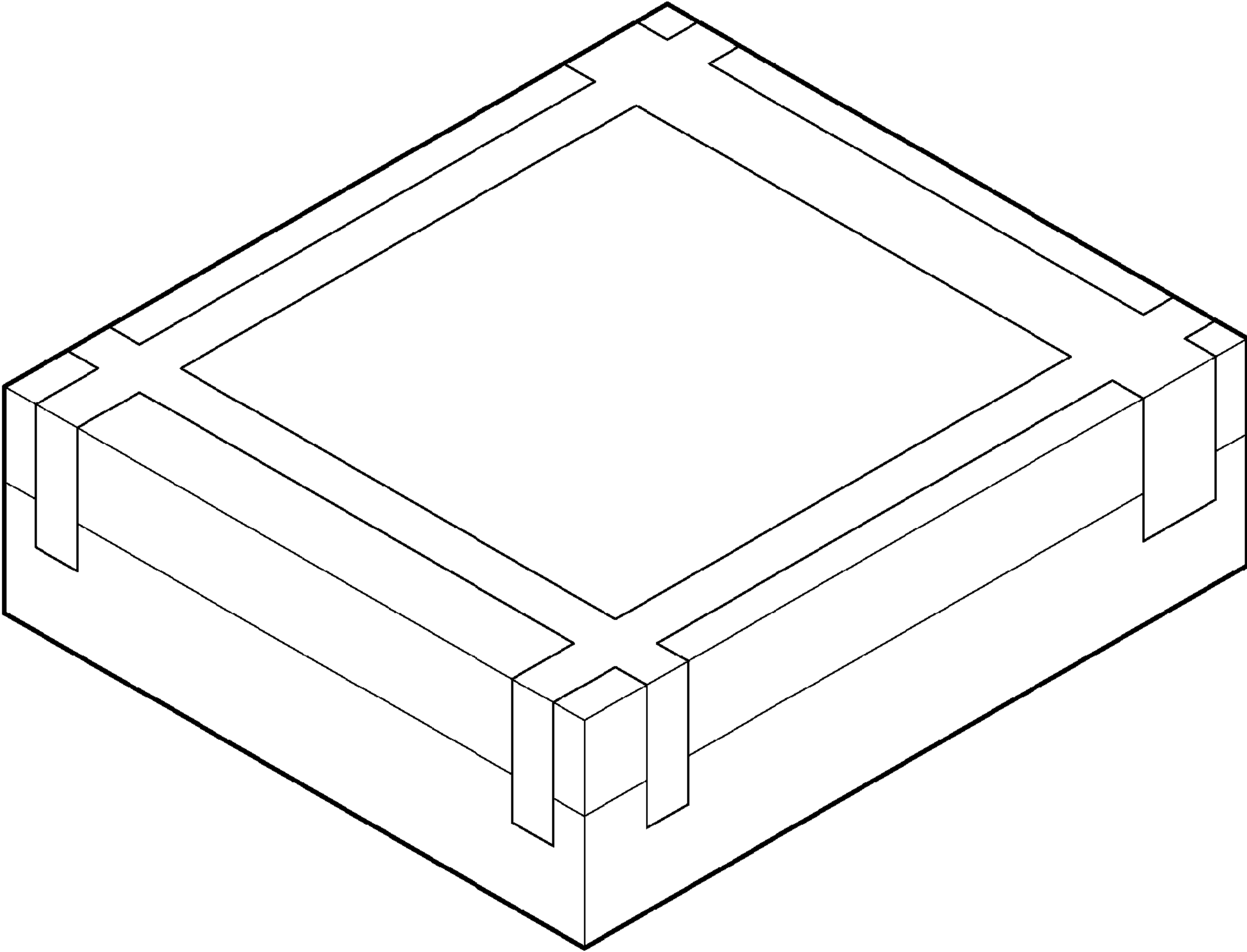


Fig. 2

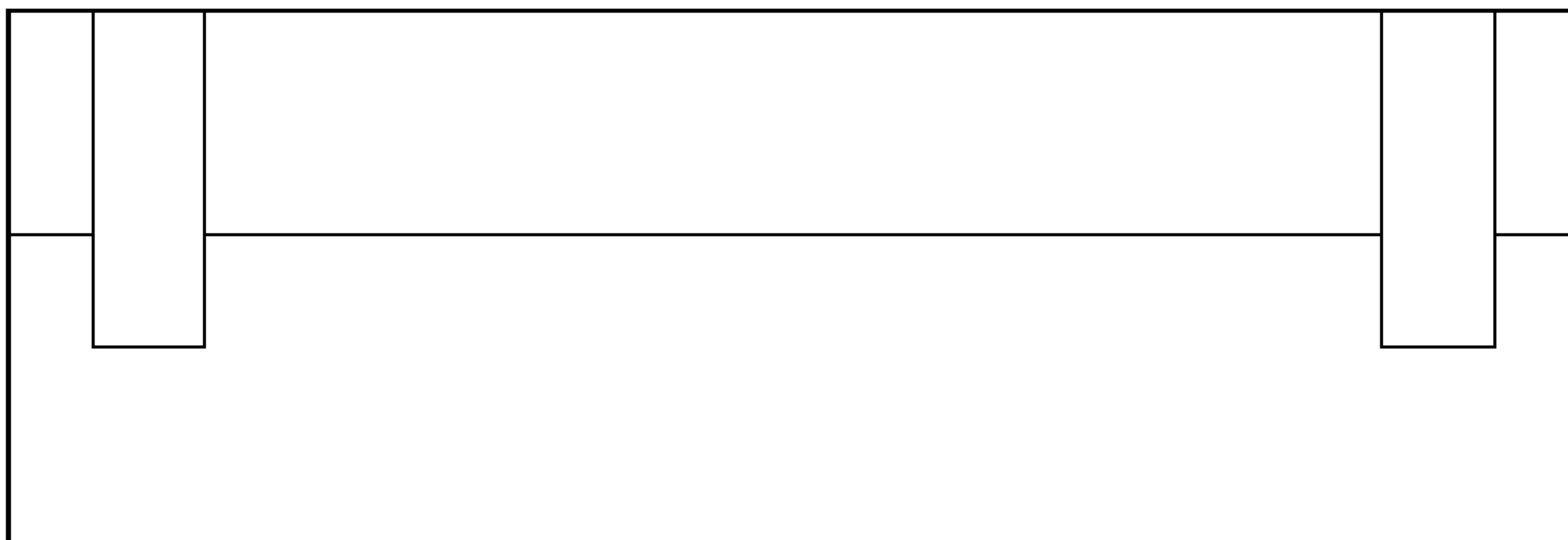


Fig. 3

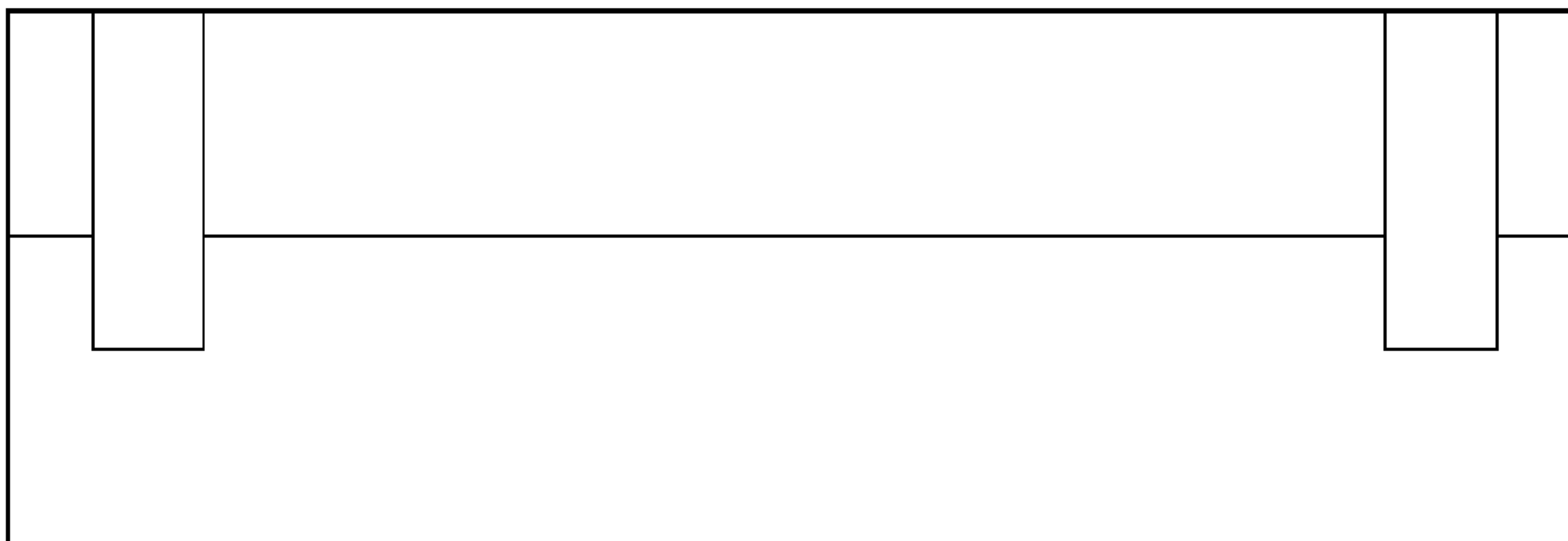


Fig. 4

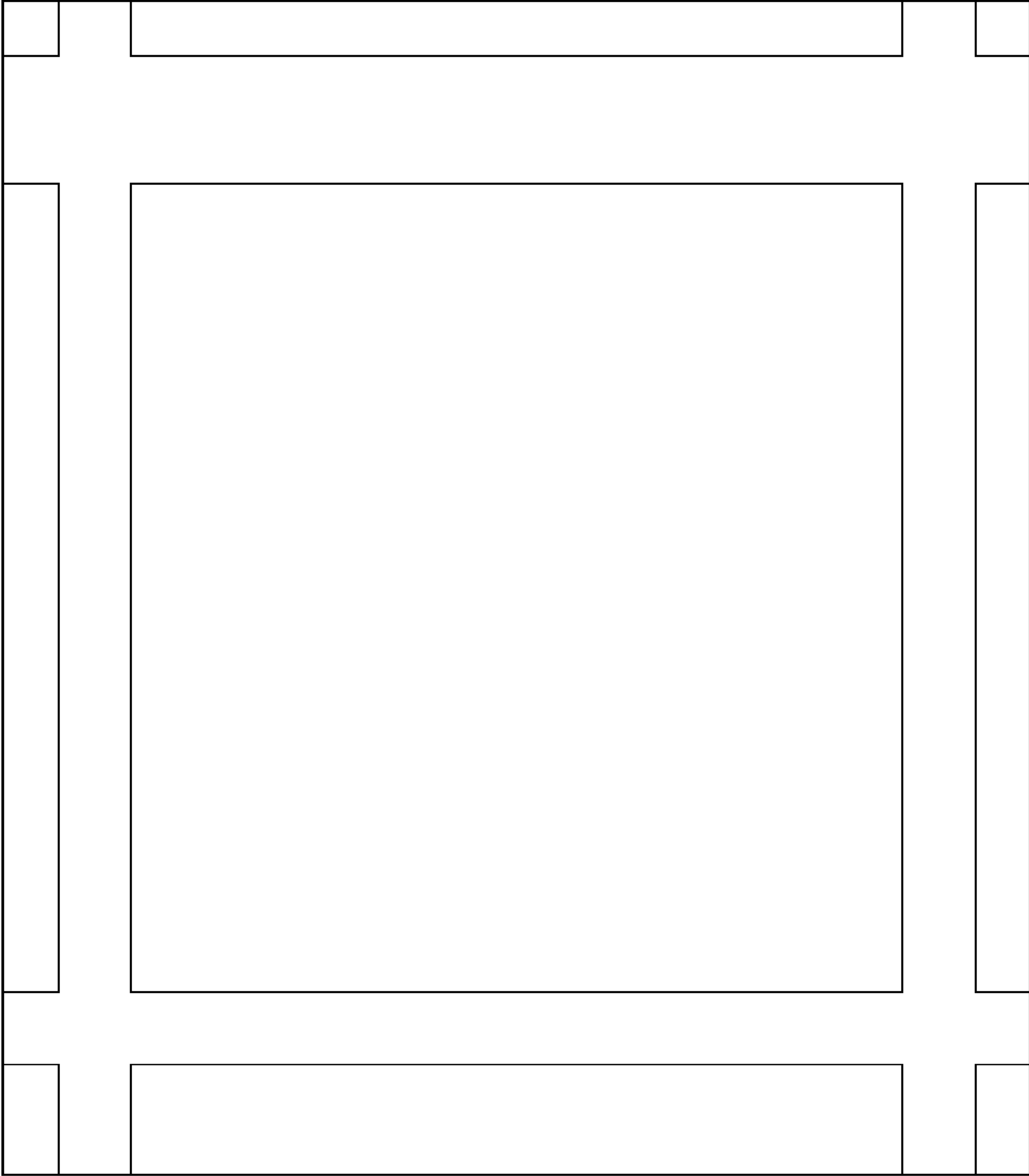


Fig. 5

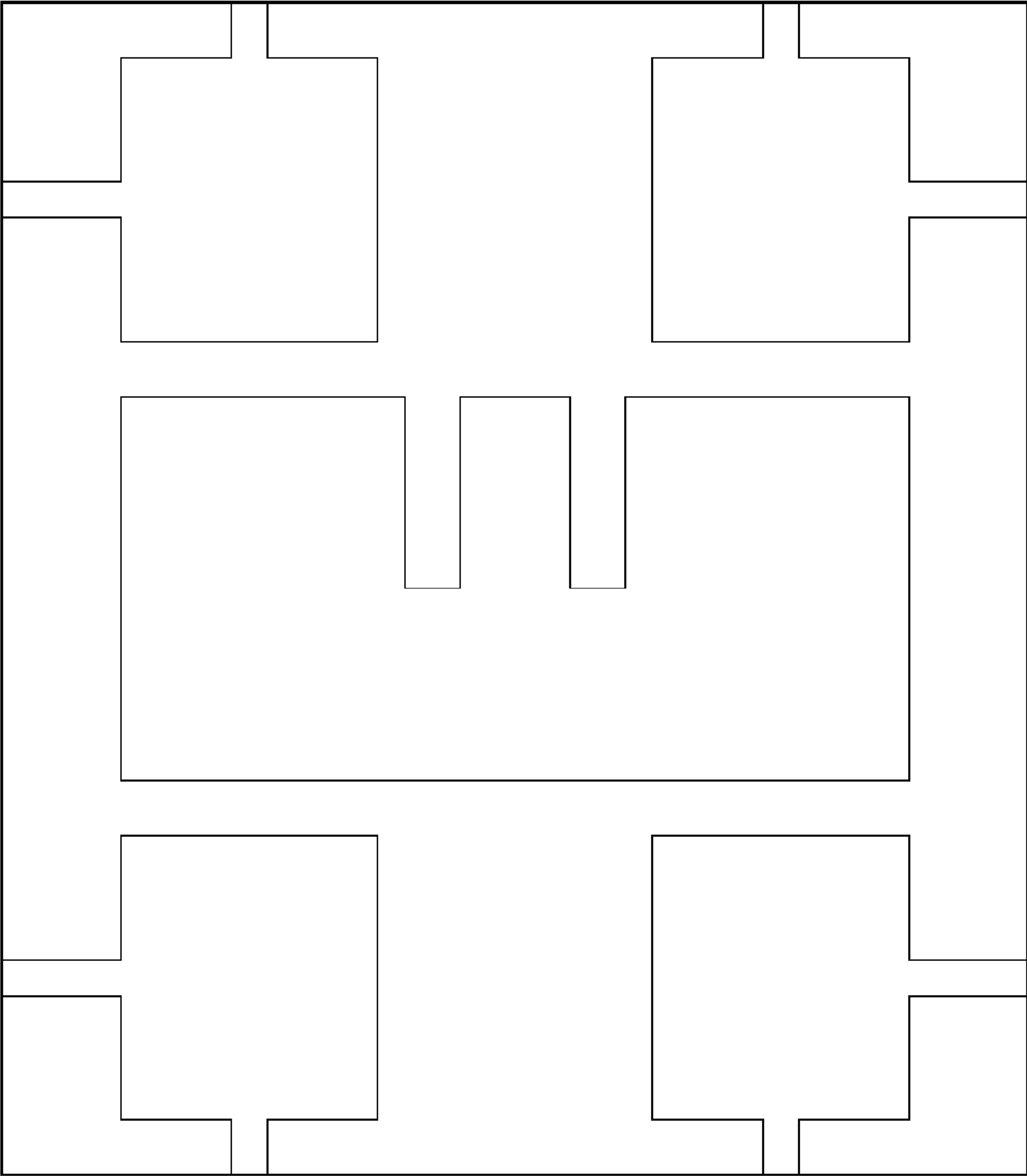


Fig. 6

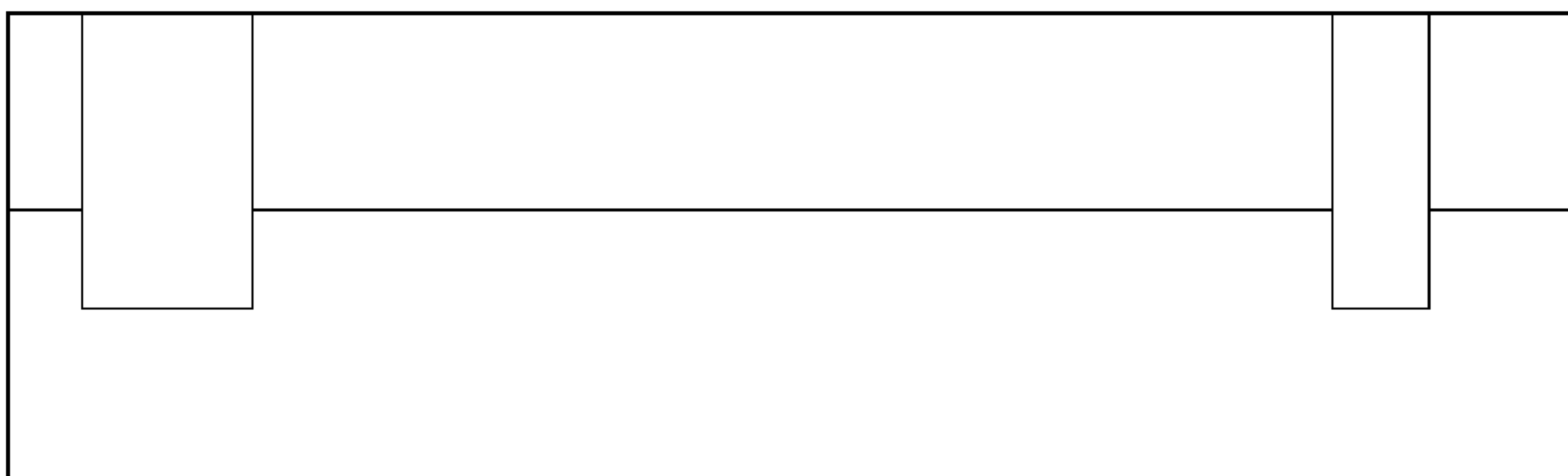


Fig. 7

