



US00D626921S

(12) **United States Design Patent**
Pang

(10) **Patent No.:** **US D626,921 S**

(45) **Date of Patent:** **** Nov. 9, 2010**

(54) **IN-LINE SWITCHING MODULE**

D521,457 S * 5/2006 Laurent et al. D13/160
D582,354 S * 12/2008 Andre et al. D13/158

(76) Inventor: **Steve Pang**, c/o Software Applications
Devel. Co., 2910 Kalawao St., Honolulu,
HI (US) 96822

* cited by examiner

Primary Examiner—Daniel D Bui

Assistant Examiner—Thomas J Johannes

(74) *Attorney, Agent, or Firm*—Leighton K. Chong

(**) Term: **14 Years**

(21) Appl. No.: **29/338,755**

(57) **CLAIM**

(22) Filed: **Jun. 17, 2009**

The ornamental design for an in-line switching module, as shown and described.

(51) **LOC (9) Cl.** **13-03**

(52) **U.S. Cl.** **D13/158**

(58) **Field of Classification Search** D13/123,
D13/125, 158, 160, 162, 164, 171; 439/417–419,
439/395–404, 465, 695, 696, 701; D32/60,
D32/61; 338/179, 198; 174/50, 66, 65 R,
174/67, 70 R, 77 R, 77 S, 92; 200/5 R, 43.11,
200/43.14, 50.01, 50.15, 293, 293.1, 303,
200/401; 361/42, 44, 45, 50, 71, 115, 118,
361/119, 679; 335/374, 68, 132, 202; 15/230.11;
401/121, 127, 137, 146, 197; D4/122, 123;
D8/373–386

See application file for complete search history.

DESCRIPTION

FIG. 1 is a perspective top view of my new design for an in-line switching module;

FIG. 2 is a perspective bottom view of the article shown in FIG. 1;

FIG. 3 is a top plan view of the article shown in FIG. 1;

FIG. 4 is a bottom plan view of the article shown in FIG. 1;

FIG. 5 is a left side elevation view of the article shown in FIG. 1;

FIG. 6 is a right side elevation view of the article shown in FIG. 1;

FIG. 7 is an end elevation view of the article shown in FIG. 1; and,

FIG. 8 is a perspective view thereof in a typical intended usage environment.

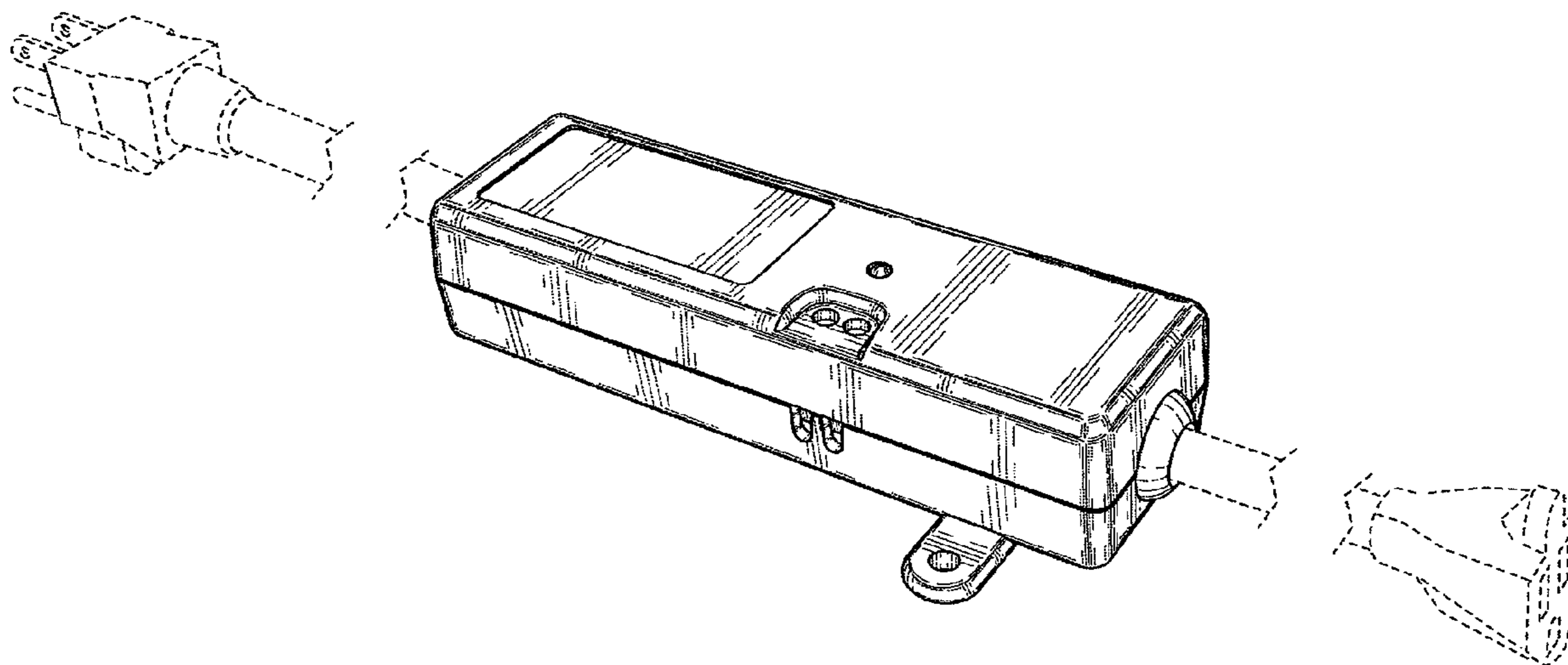
The broken line portion of the figure drawings is included to show unclaimed power lines, and a power plug and receptacle as usage environment only and forms no part of the claimed design.

(56) **References Cited**

U.S. PATENT DOCUMENTS

D313,971 S *	1/1991	Rosenbaum et al.	D13/160
D358,368 S *	5/1995	Howard et al.	D13/160
D391,922 S *	3/1998	Aromin	D13/160
D401,908 S *	12/1998	Cook	D13/160
D418,482 S *	1/2000	MacKay	D13/160
6,051,801 A *	4/2000	Wang	200/571
6,236,007 B1 *	5/2001	Ho	200/564
D454,546 S *	3/2002	MacKay	D13/160
D519,937 S *	5/2006	Laurent et al.	D13/160

1 Claim, 5 Drawing Sheets



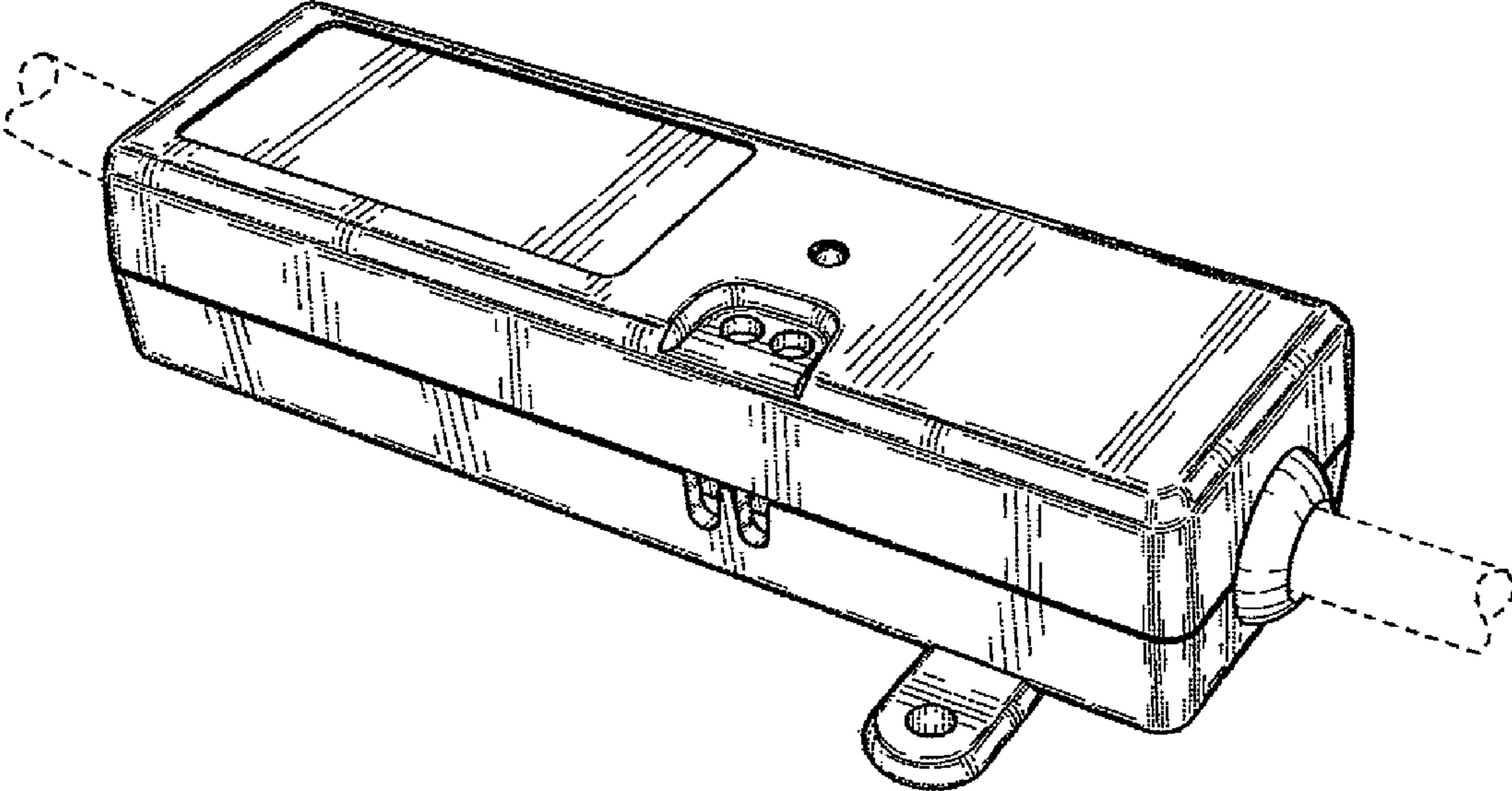


FIG. 1

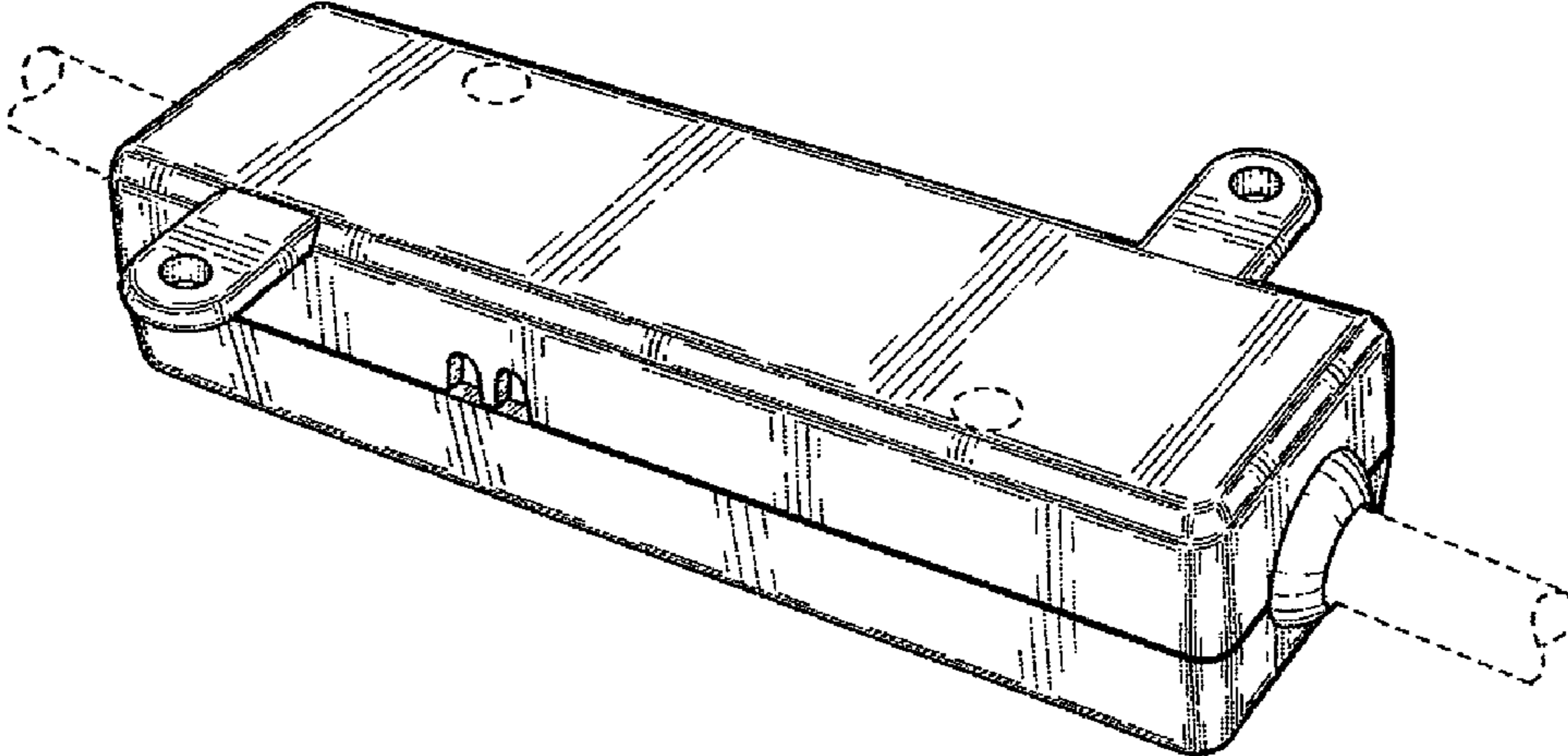


FIG. 2

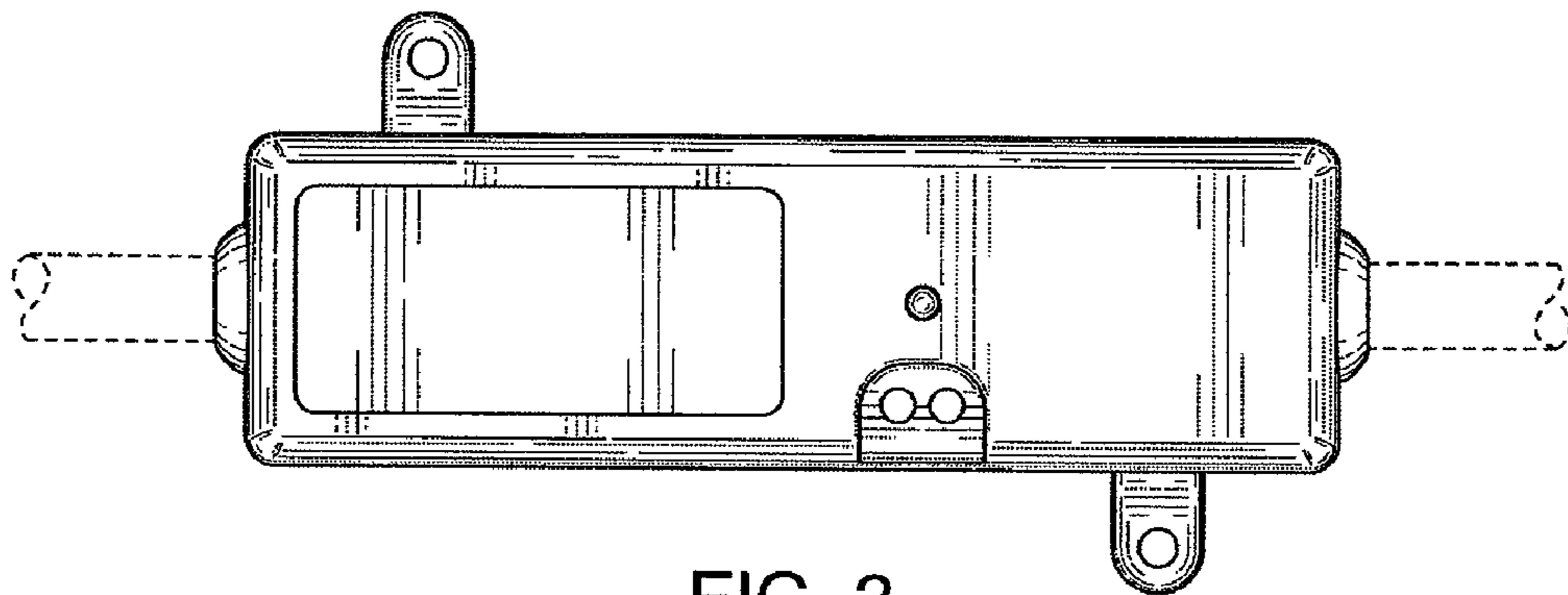


FIG. 3

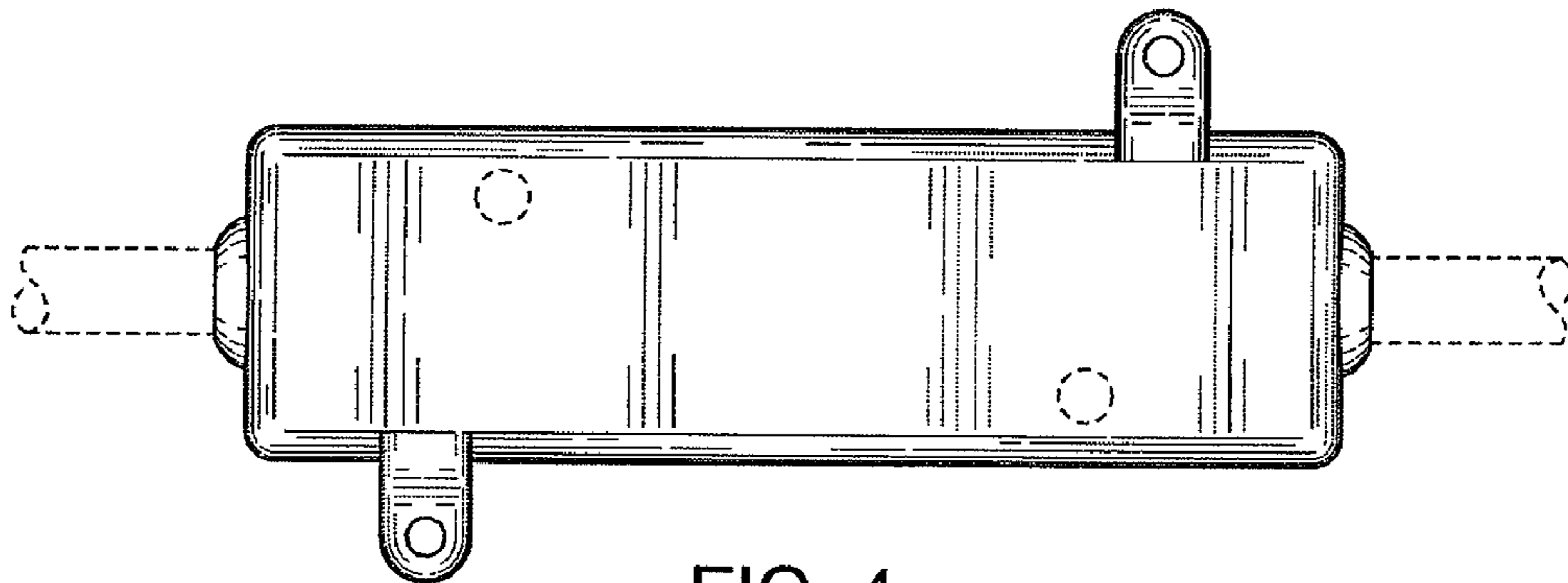


FIG. 4

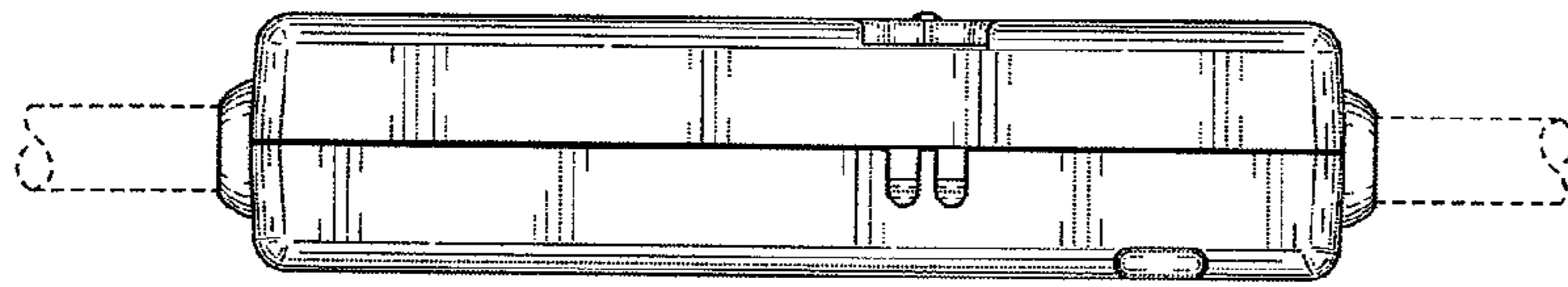


FIG. 5

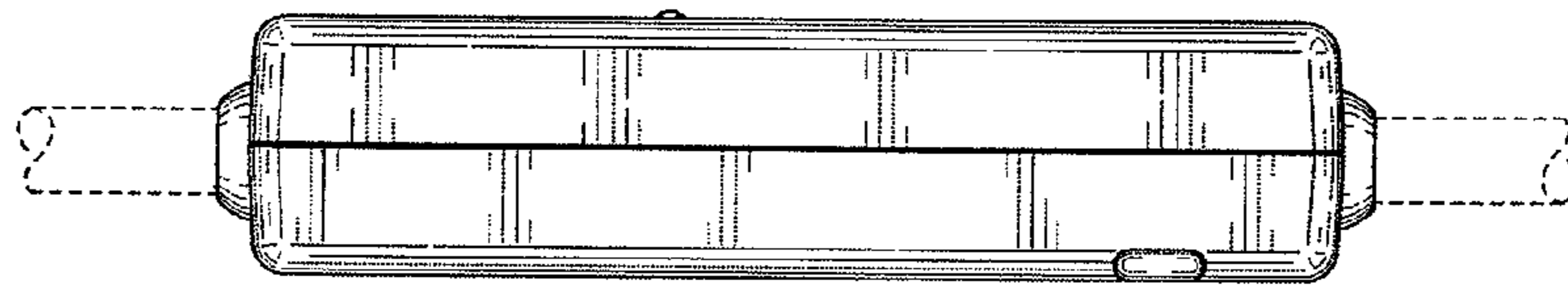


FIG. 6

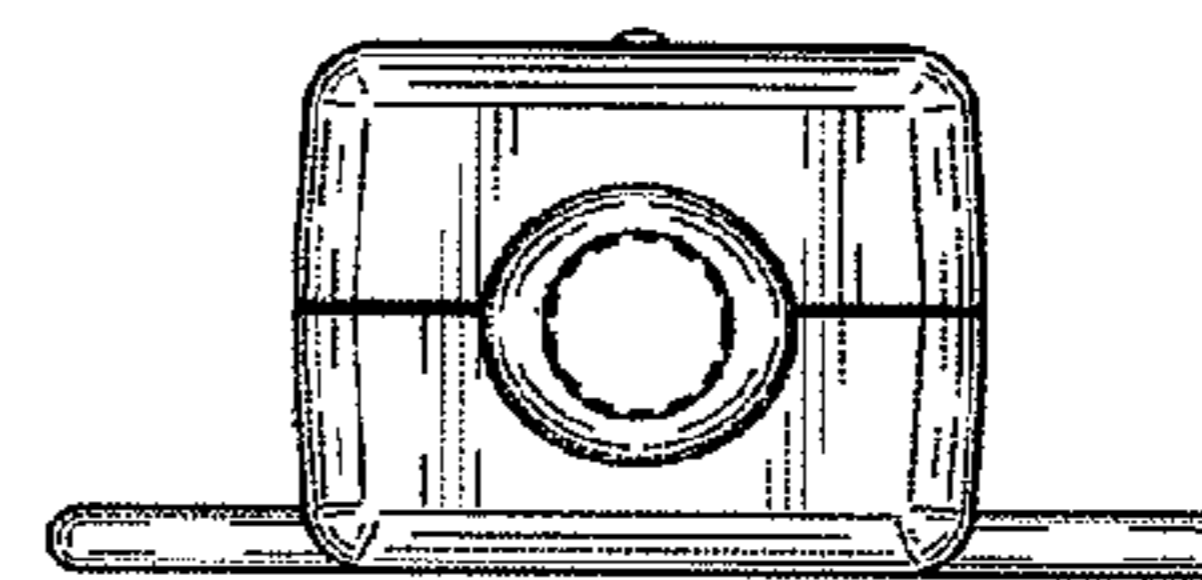


FIG. 7

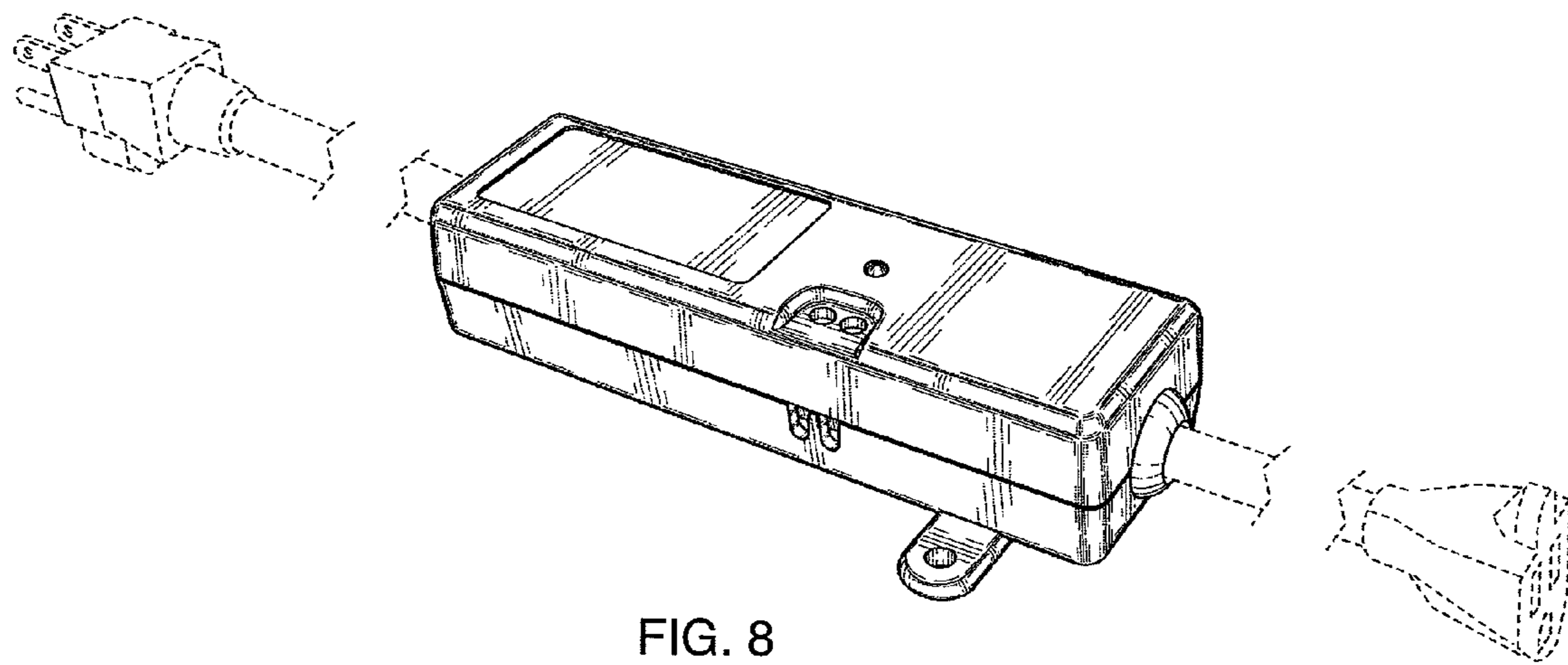


FIG. 8